

Item # : TW36RDDL

Assembly Instructions



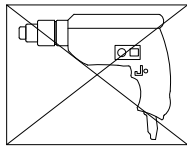
Walker Edison®

Please visit our website for the most current instructions, assembly tips, report damage, or request parts. www.walkeredison.com

Revised 17/12/2019 (C)

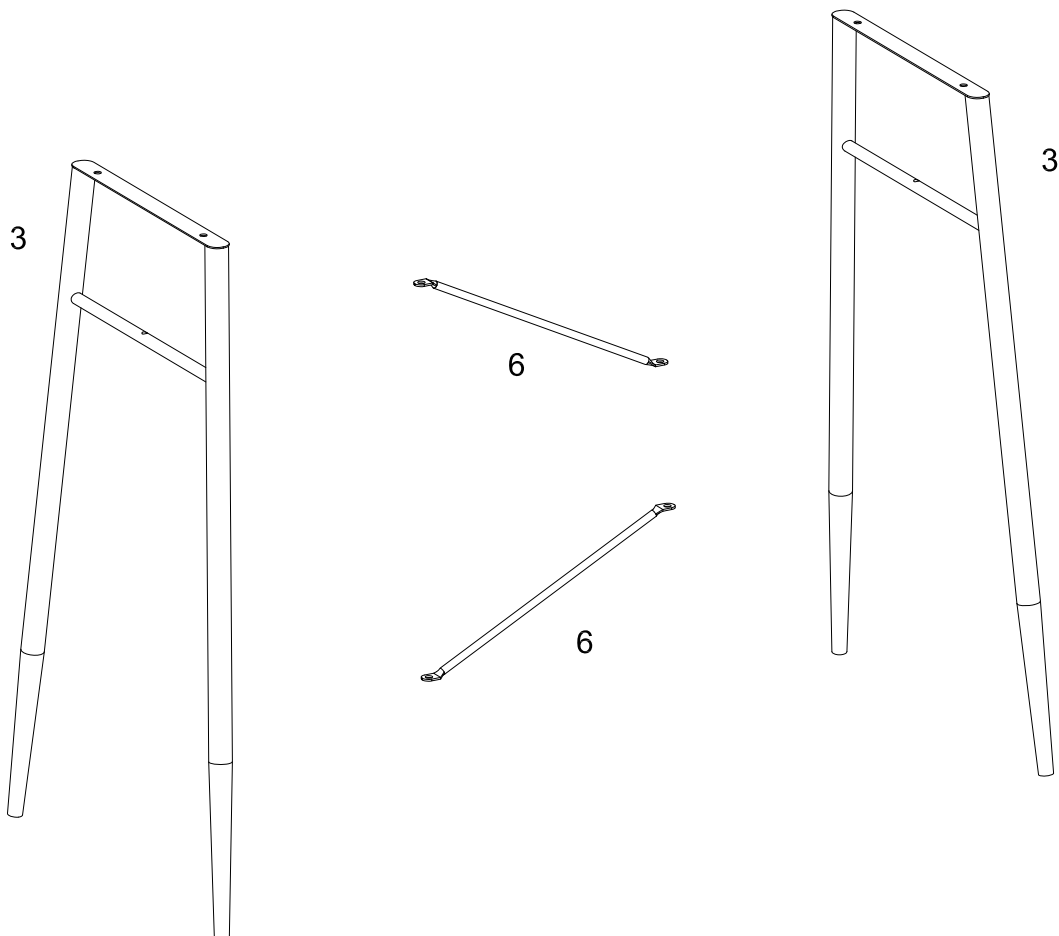
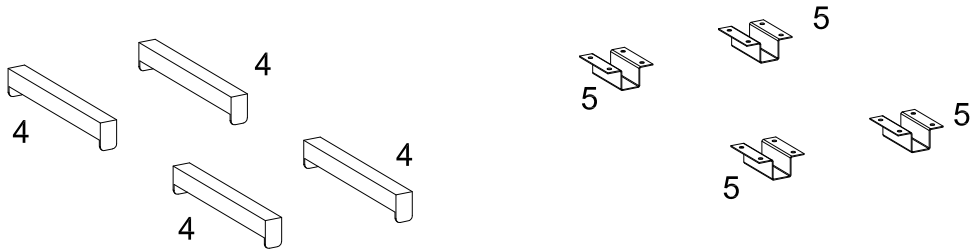
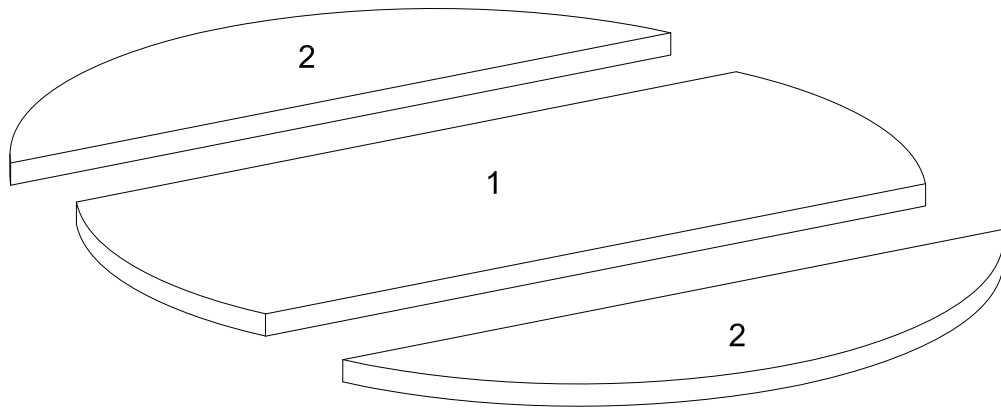
General Assembly Guidelines

- I. Ensure that all parts and hardware are available before beginning assembly.
- II. Follow each step carefully to ensure the proper assembly of this product.
- III. Two people are recommended for ease in the assembly of this product.
- IV. The main type of hardware used to assemble this product are: bolts and screws.
- V. Power tools should not be used to assemble this product.



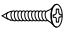
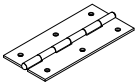
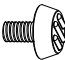
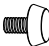



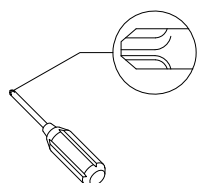
- VI. Drill may be needed for securing product to wall.

Parts List



Hardware List

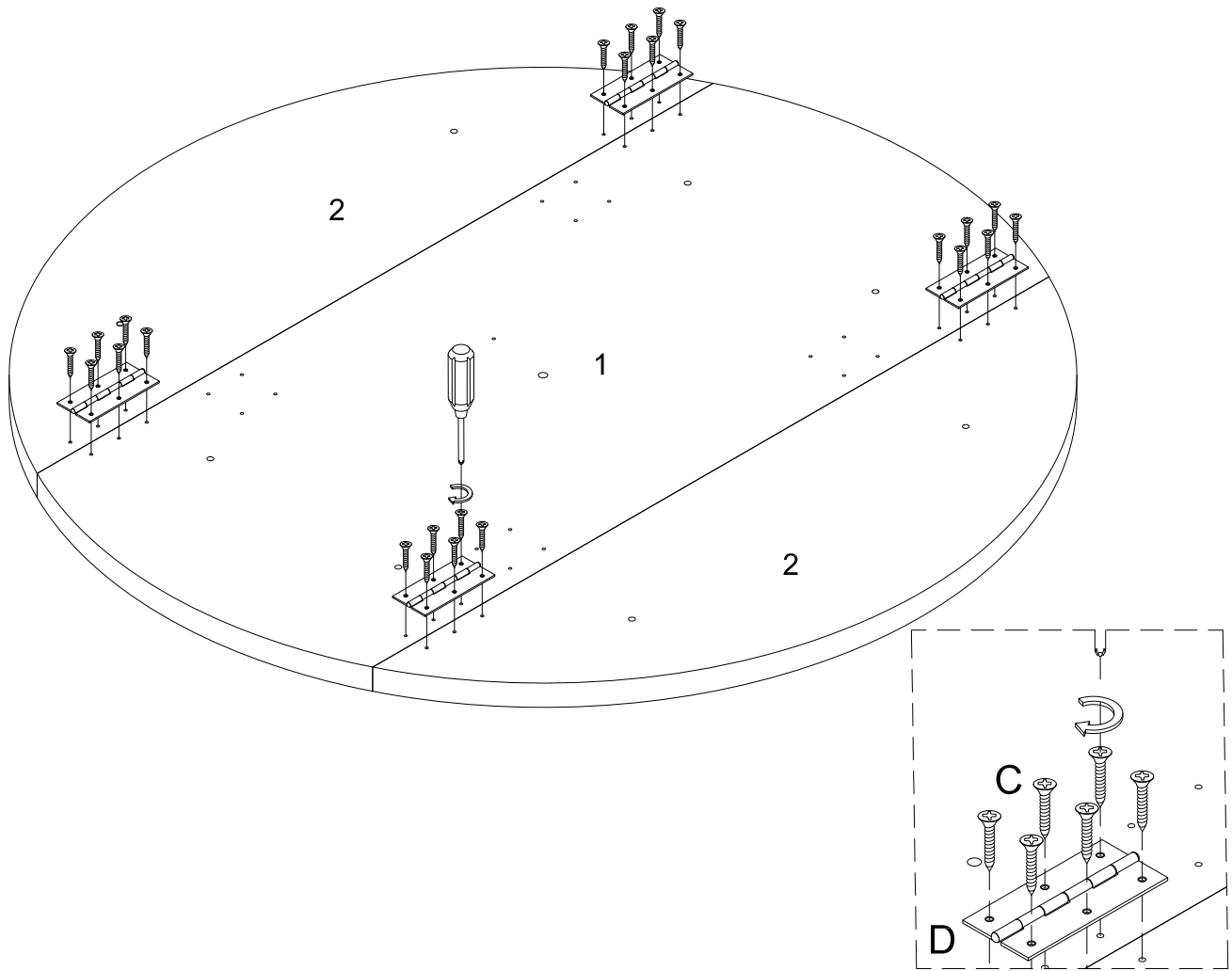
A		Ø6×15mm	Bolt	5 pcs
B		Ø6×10mm	Bolt	2 pcs
C		Ø4×20mm	Screw	40 pcs
D		83×39×2mm	Hinge	4 pcs
E		Ø23*15*M6mm	Large adjustable floor leveler	4 pcs
F		Ø16*15*M6mm	Small adjustable floor leveler	4 pcs
G		M4	Hex key	1 pc



Philips head screwdriver required for assembly
(not included)

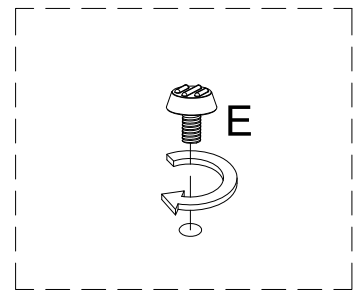
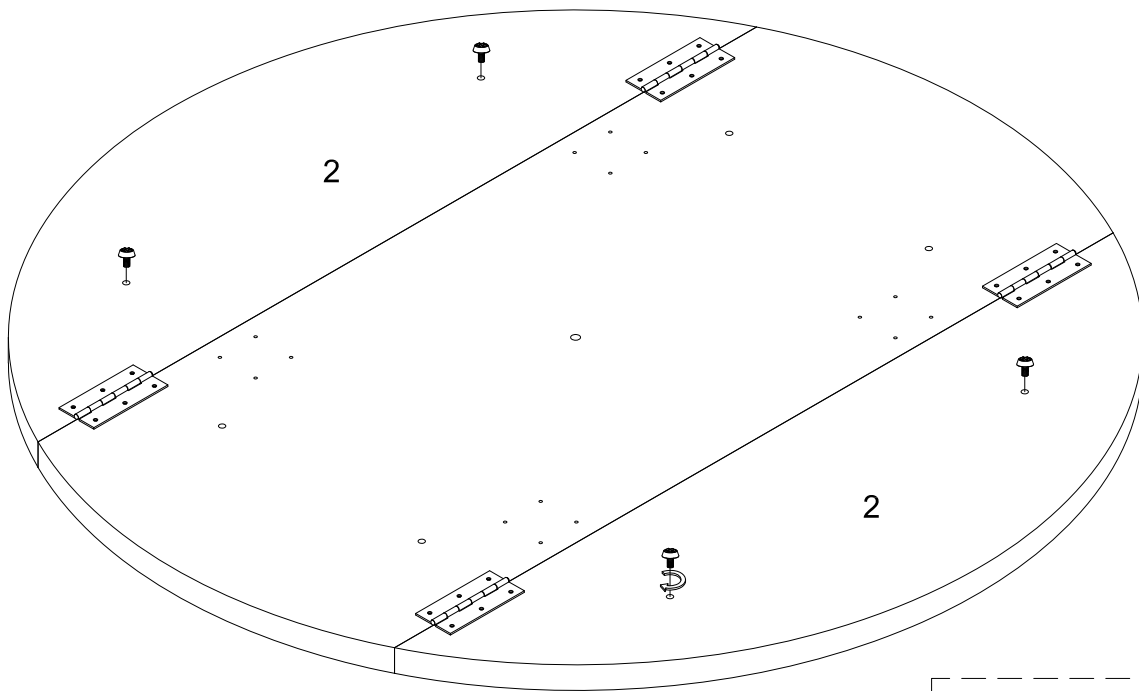
*The hardware quantities listed above are required for proper assembly.
Some extra hardware may also have been included.*

Step 1



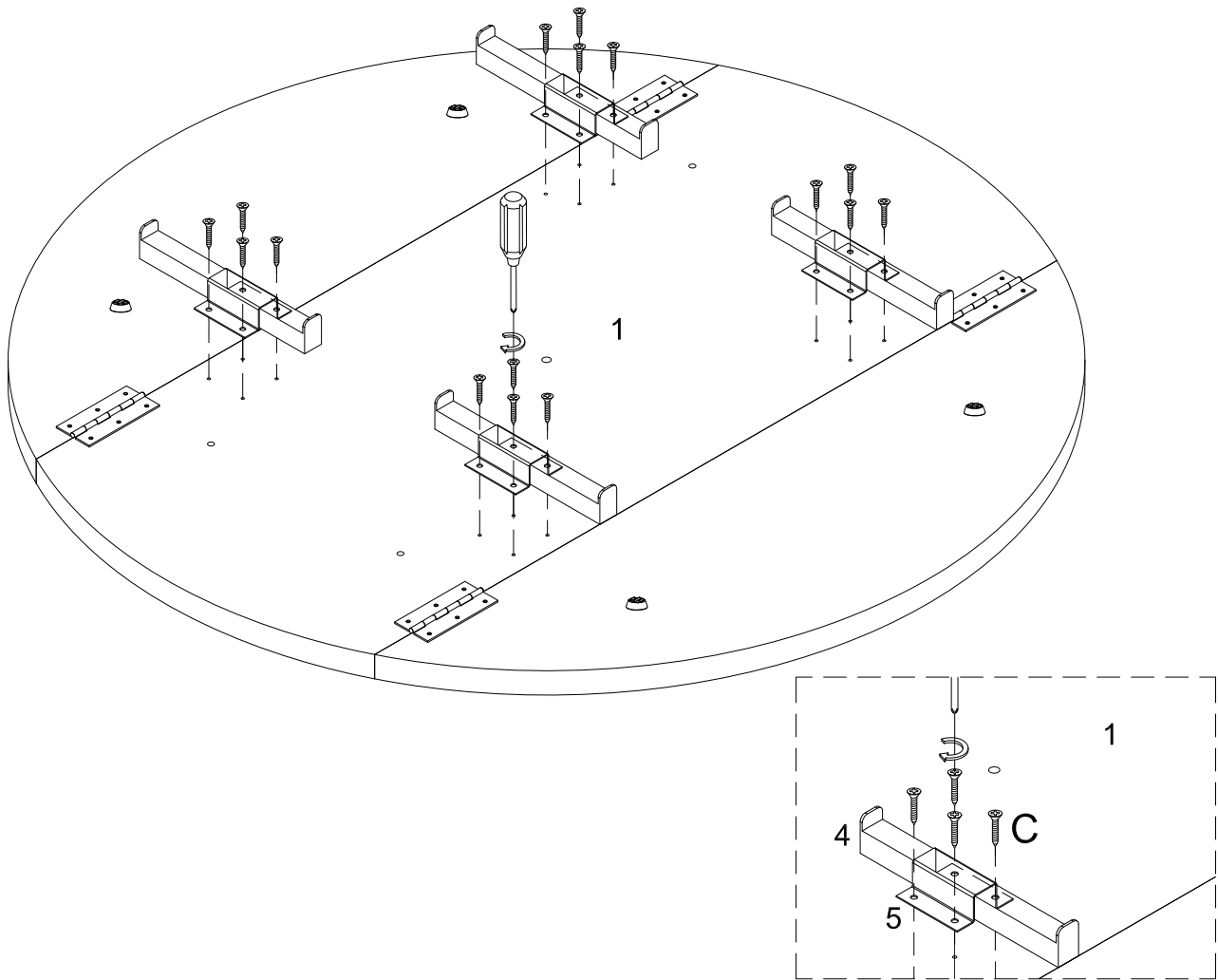
Using screw (C) attach hinge (D) to parts (1,2) with Philips head screwdriver as per diagram.

Step 2



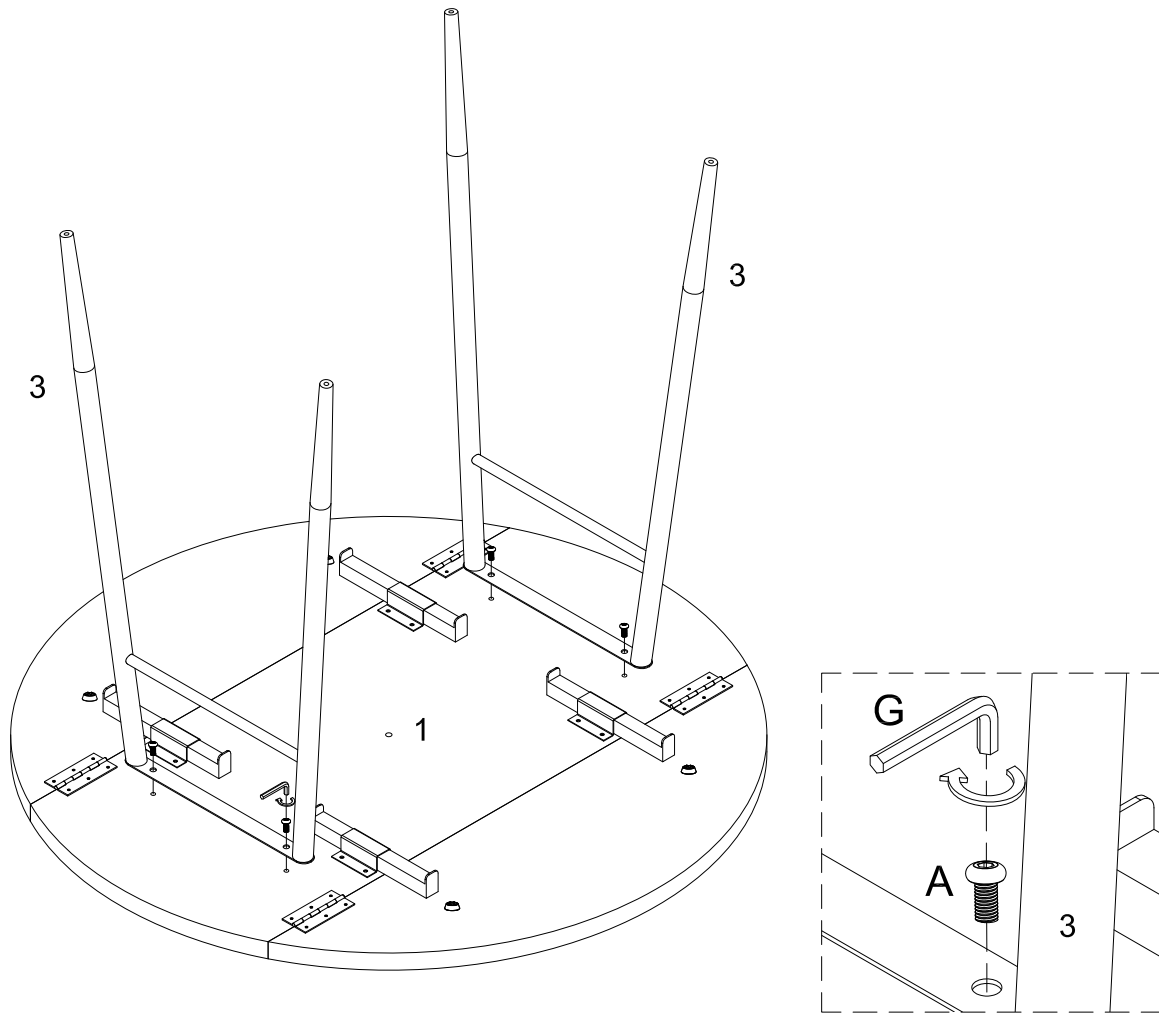
Secure large adjustable floor leveler (E) under table bottom as per diagram.

Step 3



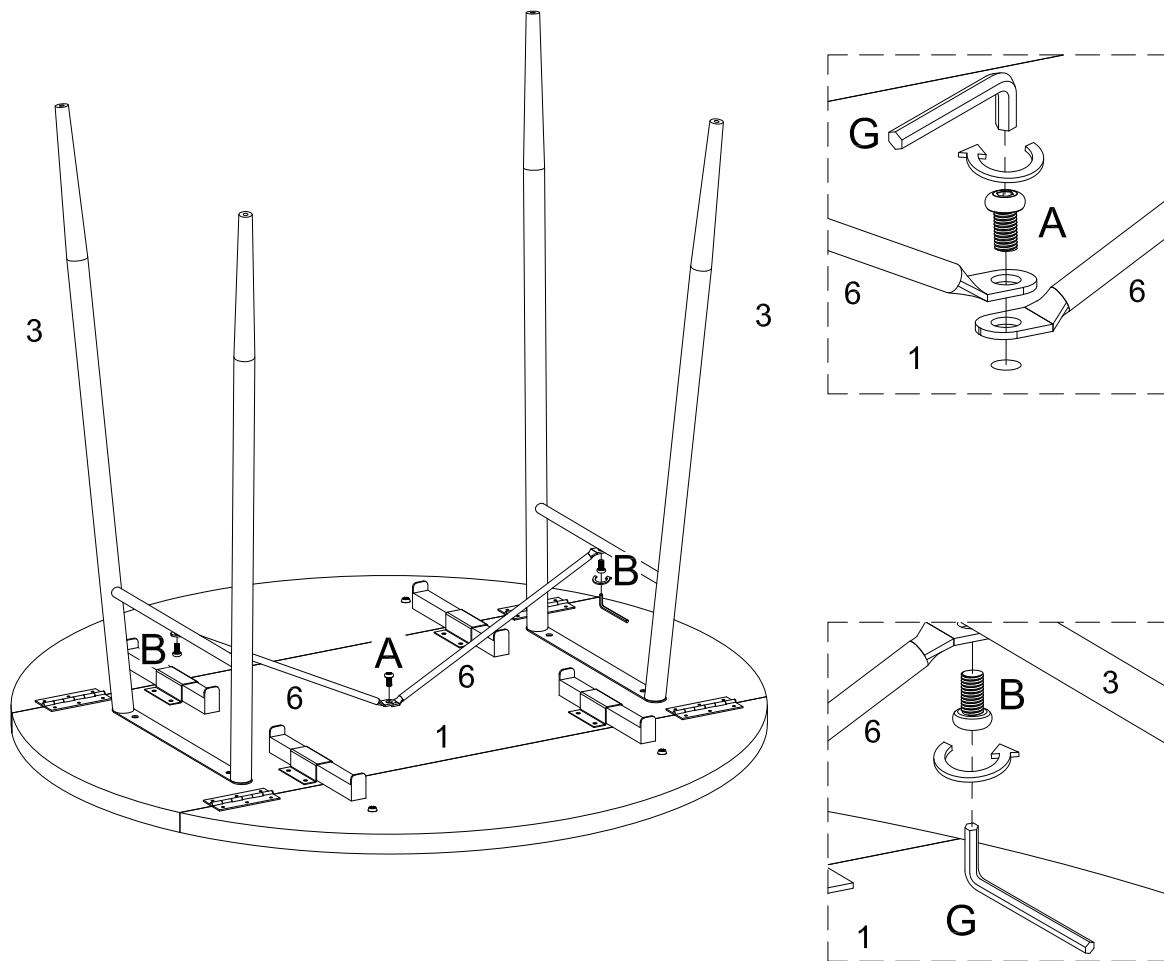
Using screw (C) attach parts (4,5) to part (1) with Philips head screwdriver as per diagram.

Step 4



Using bolt (A) attach part (3) to part (1) with Hex key (G) as per diagram.
Note: Do not fully tighten all the bolts.

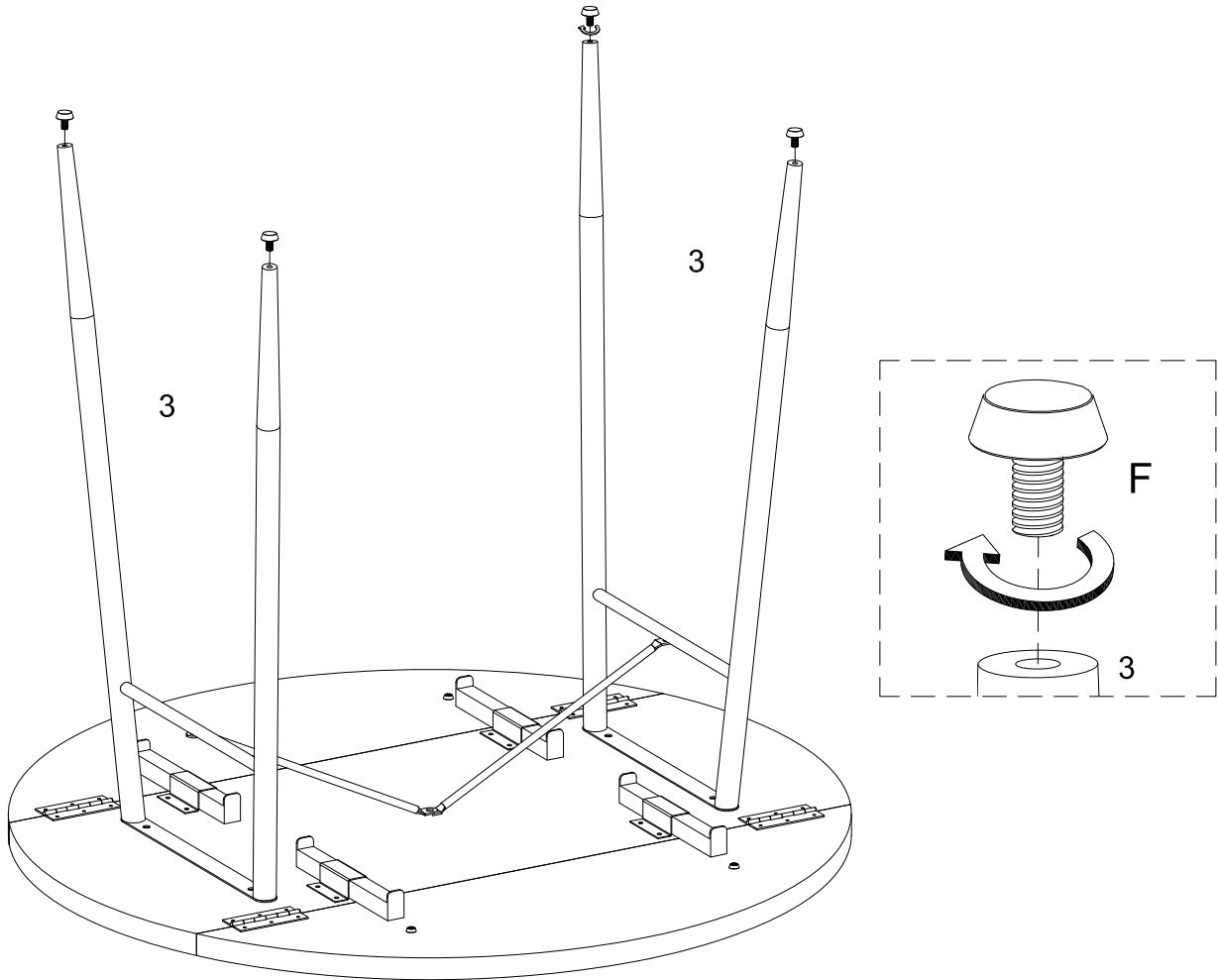
Step 5



Using bolt (B) attach part (6) to part (3), using bolt (A) secure the other side of part (6) to part (1) with hex key (G) as per diagram .

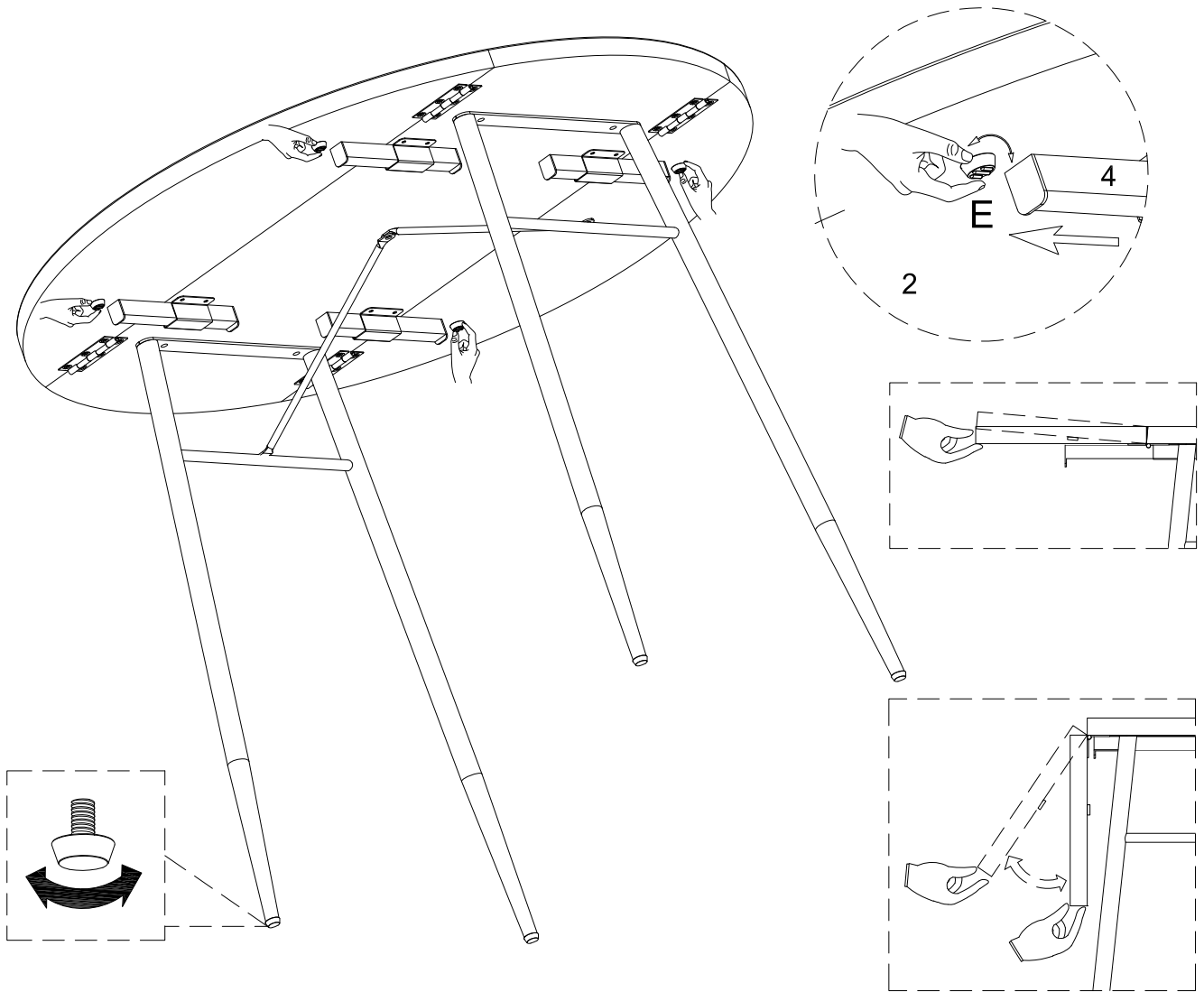
Note : Fully tighten all bolts .

Step 6



Secure small adjustable floor leveler (F) on part (3) as per diagram.

Step 7



When you use the leaf .Lift up the leaf and hold it .Pull out the leaf supports and keep they are on the adjustable floor levelers(E).If necessary adjust the adjustable floor levelers(E) on the leaf to keep the leaf and table top in the same level .Position the unit at the desired location .If necessary adjust the floor leveler at the bottom of the legs to level the unit .

Step 8



Final Assembly