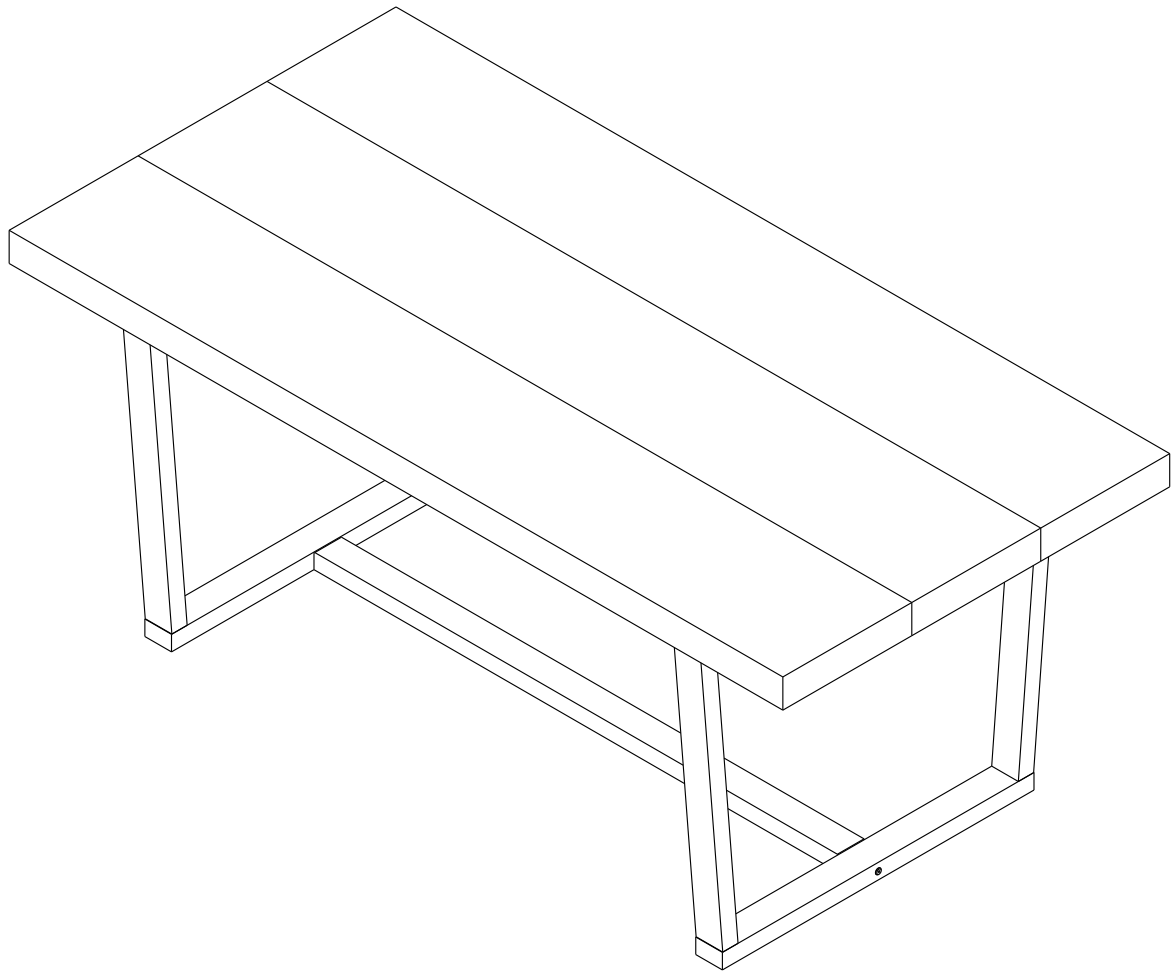


Item #: TW72DSW

Assembly Instructions

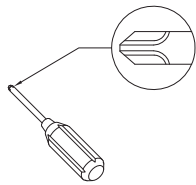


Please visit our website for the most current instructions, assembly tips report damage, or request parts. www.walkeredison.com

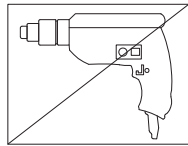
Revised 08/2018

General Assembly Guidelines

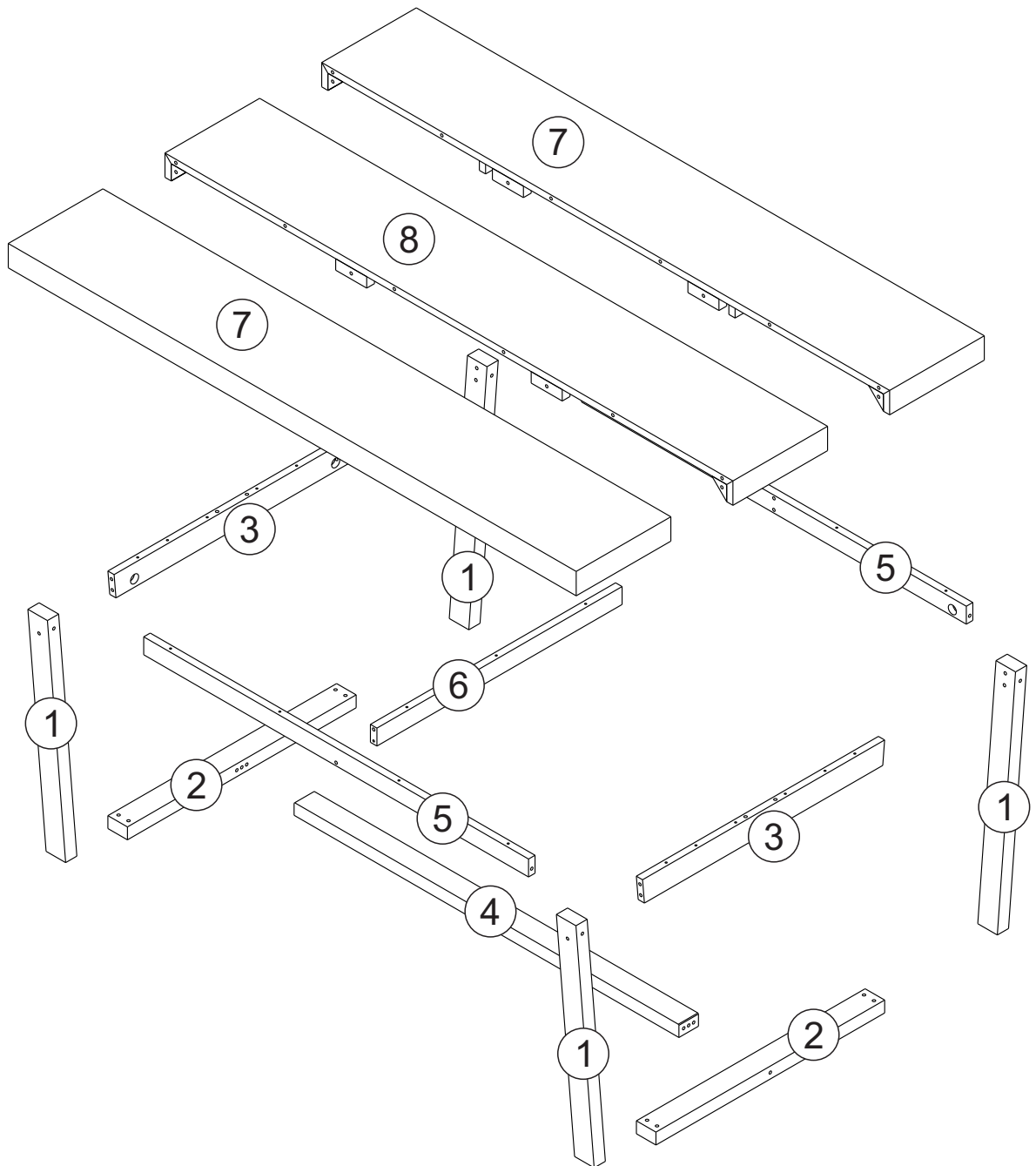
- I. Ensure that all parts and hardware are available before beginning assembly.
- II. Follow each step carefully to ensure the proper assembly of this product.
- III. Two people are recommended for ease in the assembly of this product.
- IV. The three main types of hardware used to assemble this product are : wood dowels , screws and bolts.
- V. A Phillips head screwdriver is required for the assembly of this product .




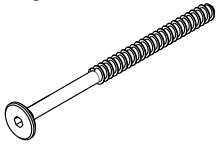
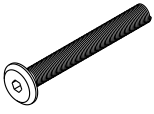
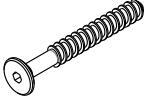

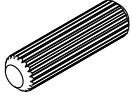

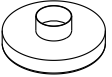
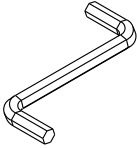
- VI. Power tools should not be used to assemble this product .

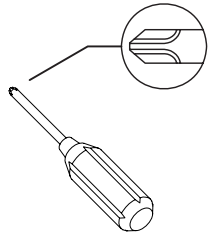
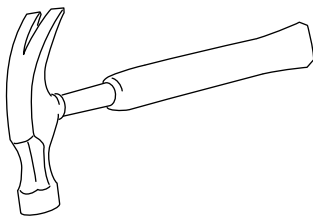


Parts List



Hardware List

A		Ø 1/4"x110 mm	Bolt	10 pcs
B		Ø 7.0x70 mm	Bolt	08 pcs
C		Ø 1/4"x50 mm	Bolt	08 pcs
D		Ø 7.0x50 mm	Bolt	02 pcs
E		Ø 4.0x50 mm	Screw	23 pcs
F		Ø 8x30 mm	Wood dowel	26 pcs
G		Ø 1/4"	Barrel nut	10 pcs
H			Plastic foot	04 pcs
I		M4	Hex key	01 pcs

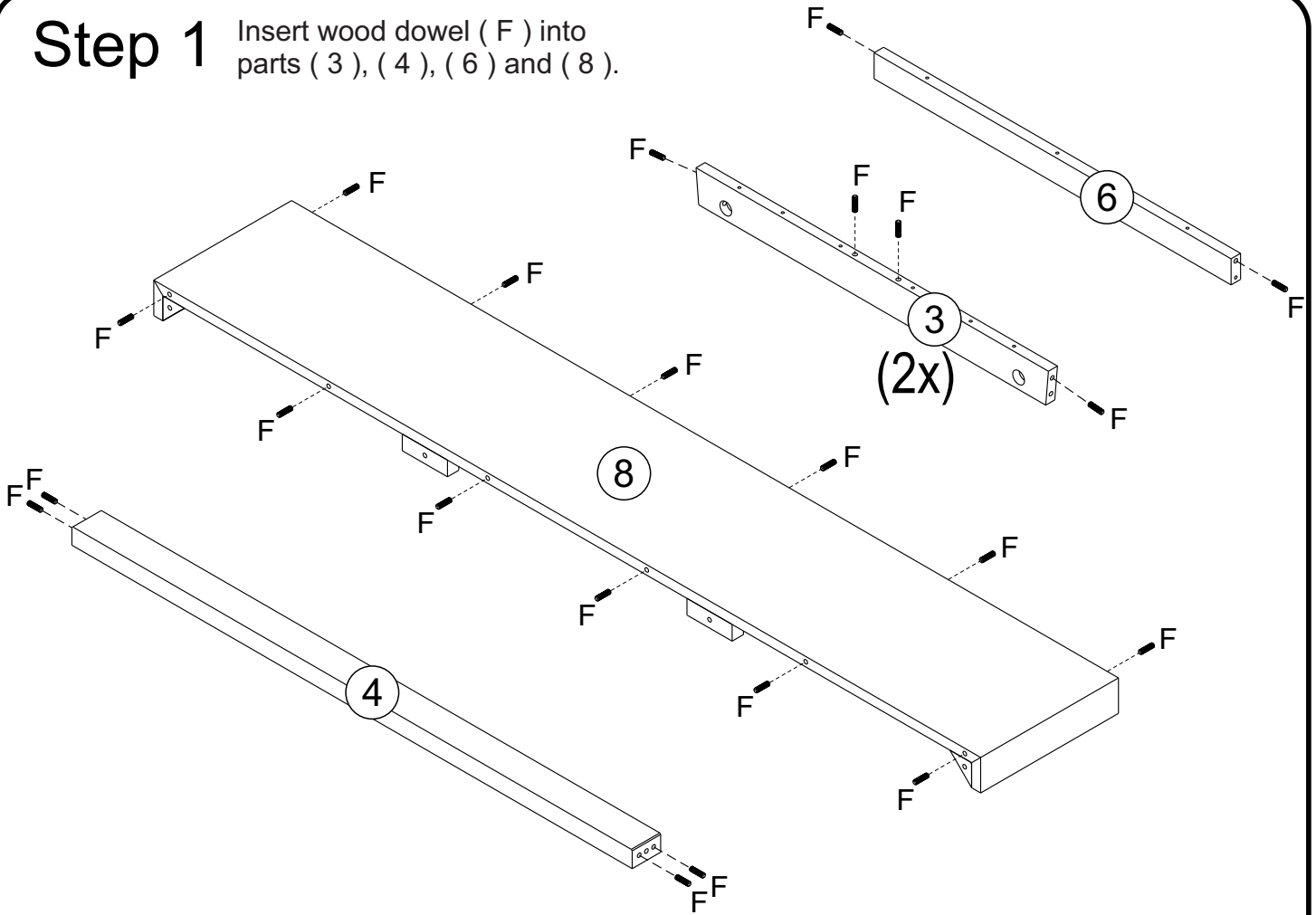


Philips head screwdriver required for assembly
(not included)

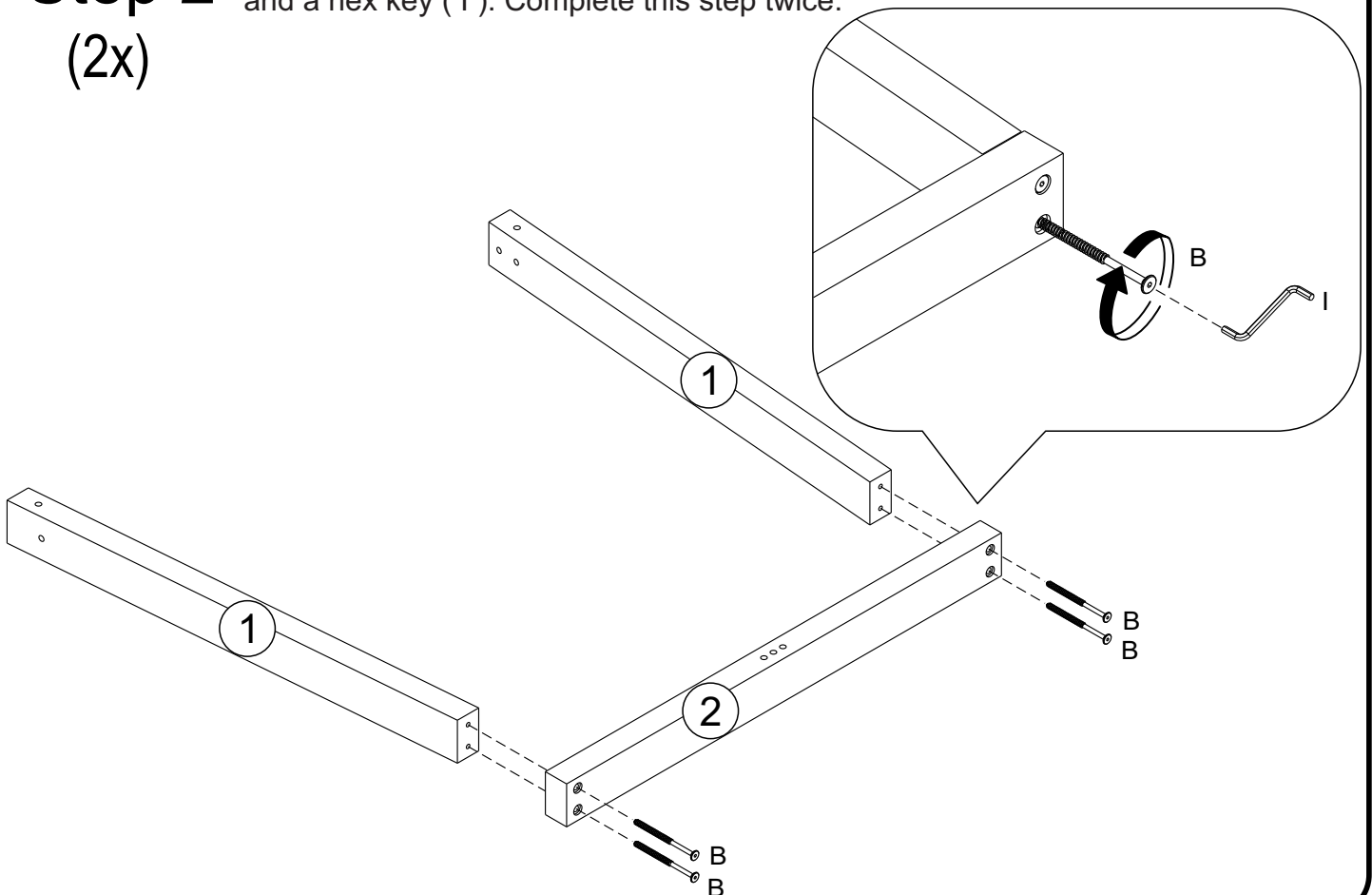
Mallet or hammer recommended for assembly
(not included)

*The hardware quantities listed above are required for proper assembly.
Some extra hardware may also have been included.*

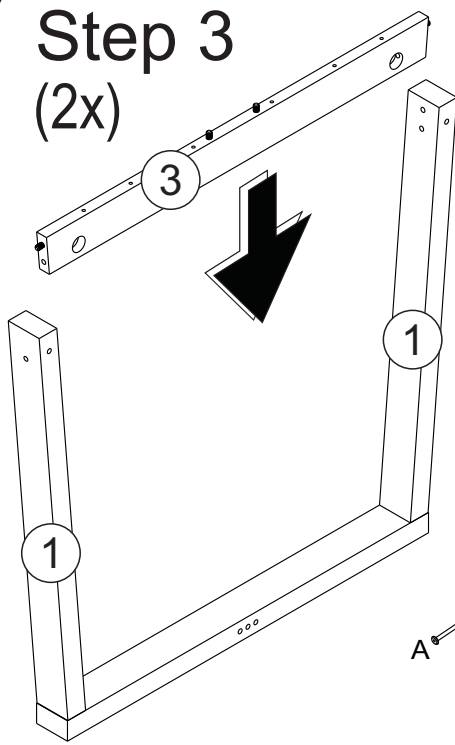
Step 1 Insert wood dowel (F) into parts (3), (4), (6) and (8).



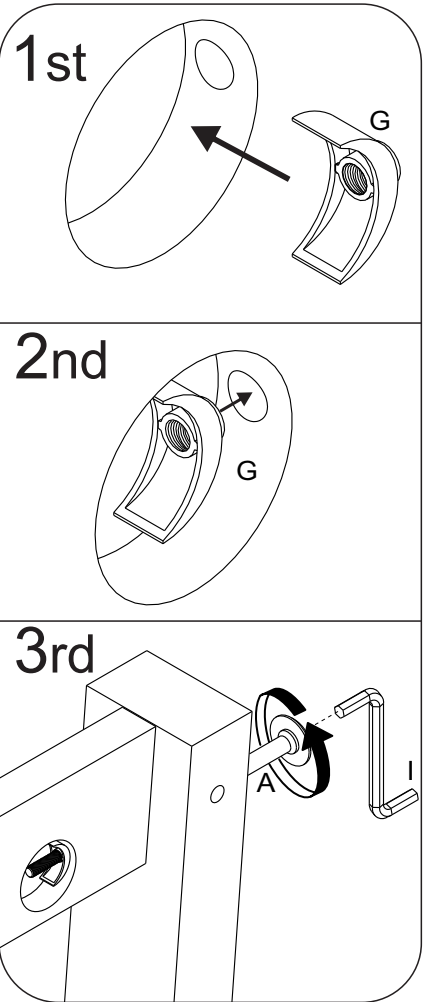
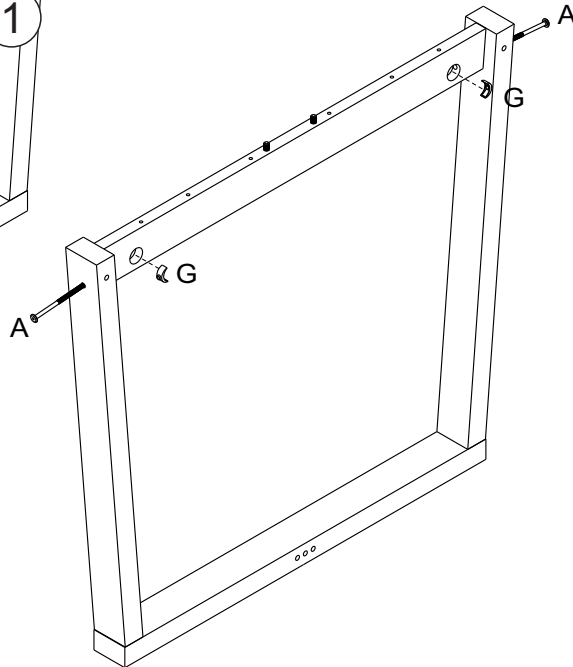
Step 2 Attach part (2) to part (1) using bolt (B) and a hex key (I). Complete this step twice.
(2x)



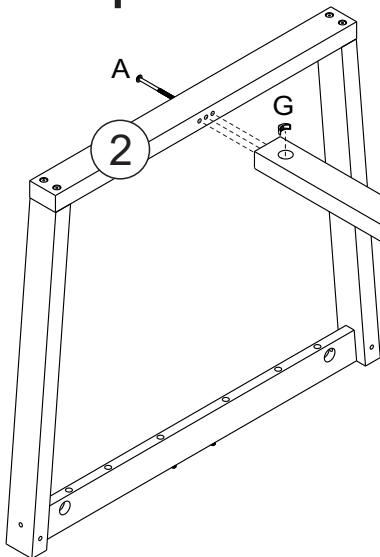
Step 3 (2x)



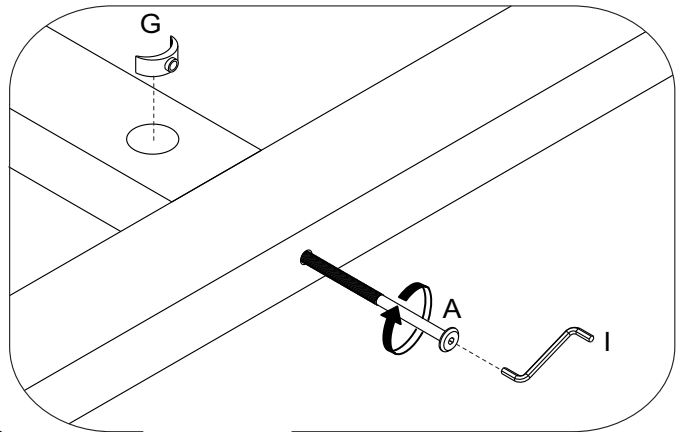
Attach part (3) to part (1) using bolt (A) with barrel nut (G) and hex key (I). Complete this step twice.



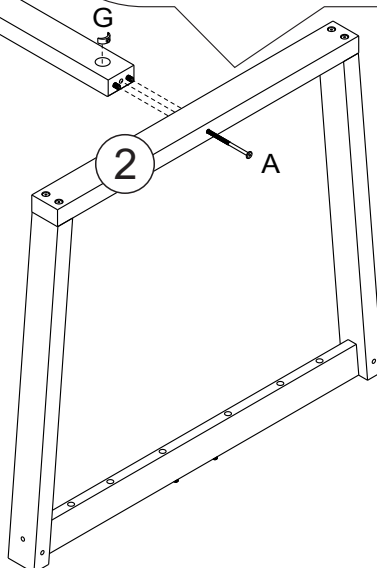
Step 4



4

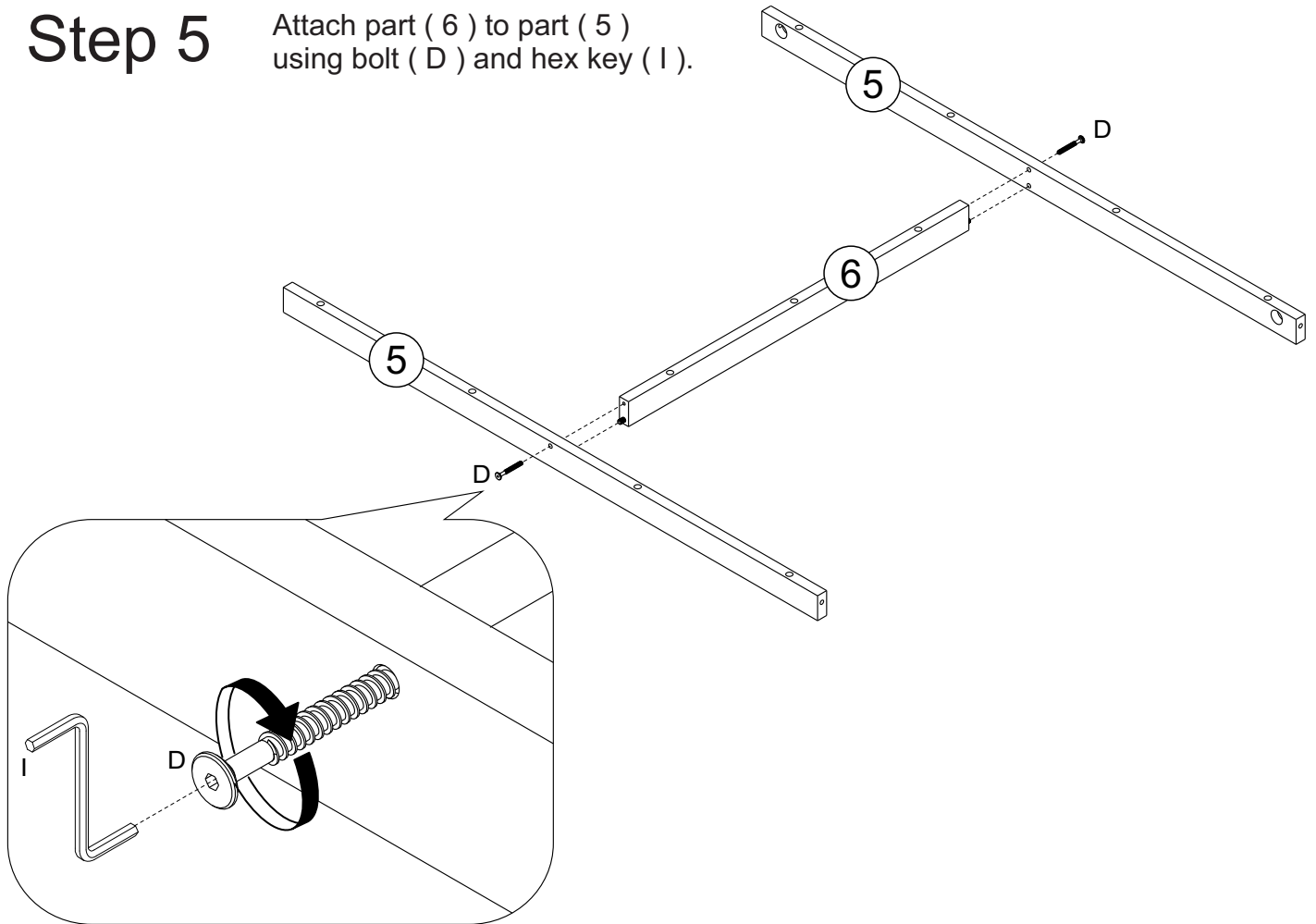


Attach part (4) to part (2) using bolt (A) with barrel nut (G) and hex key (I).

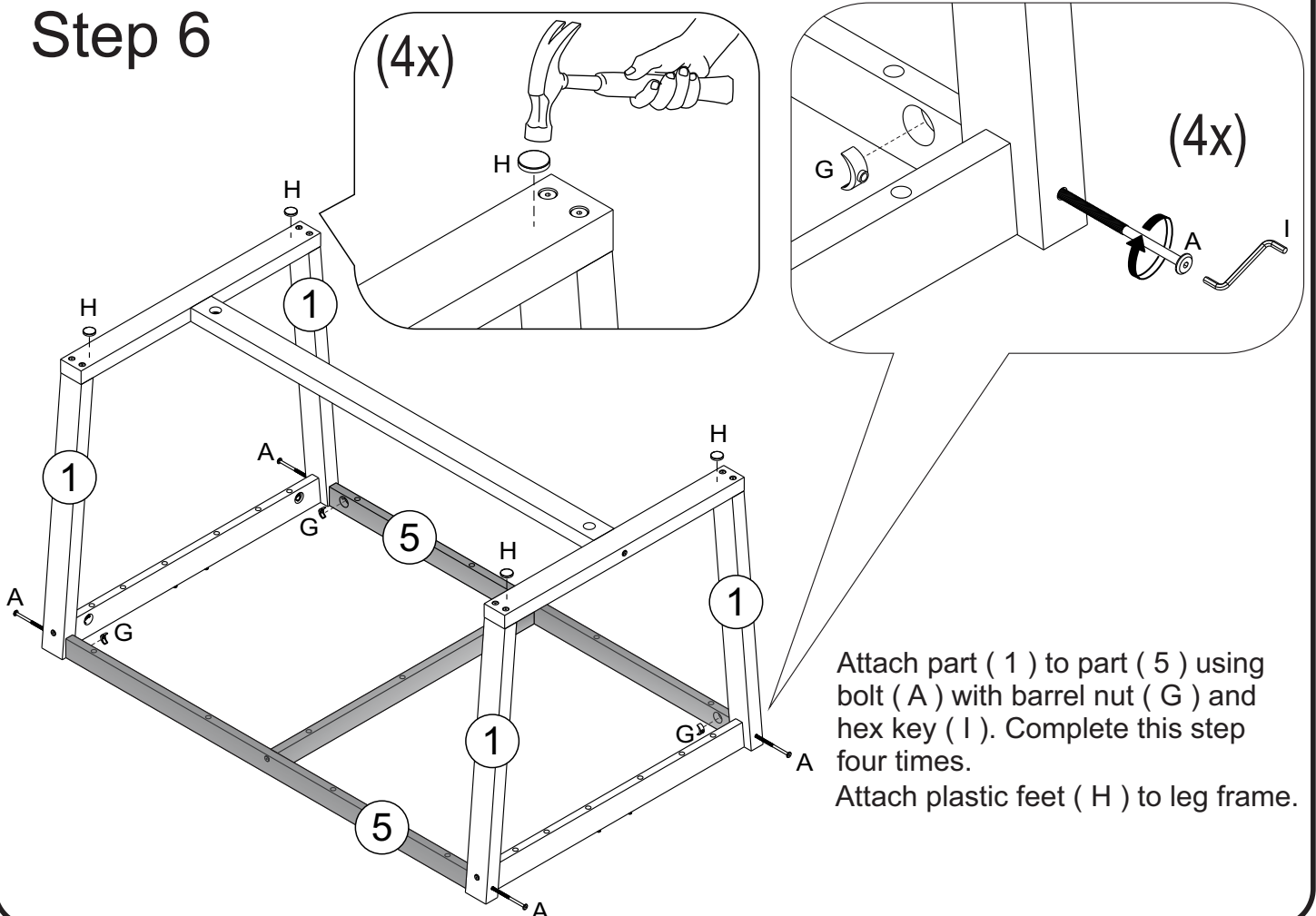


Step 5

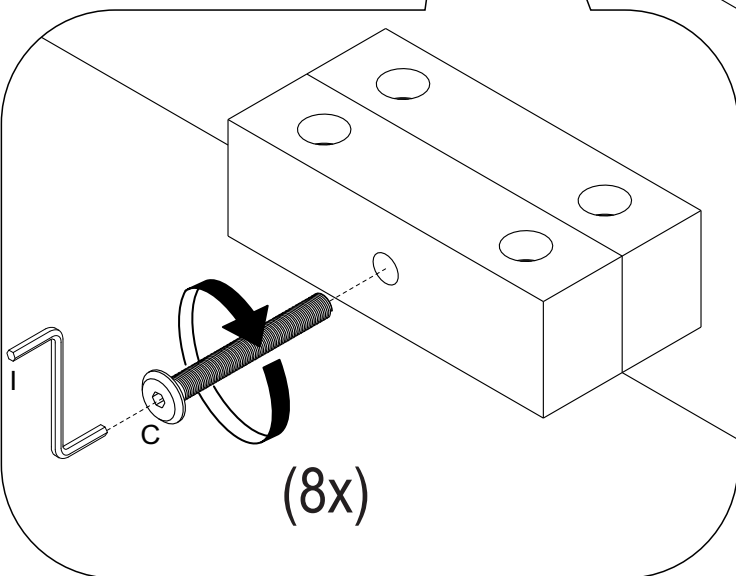
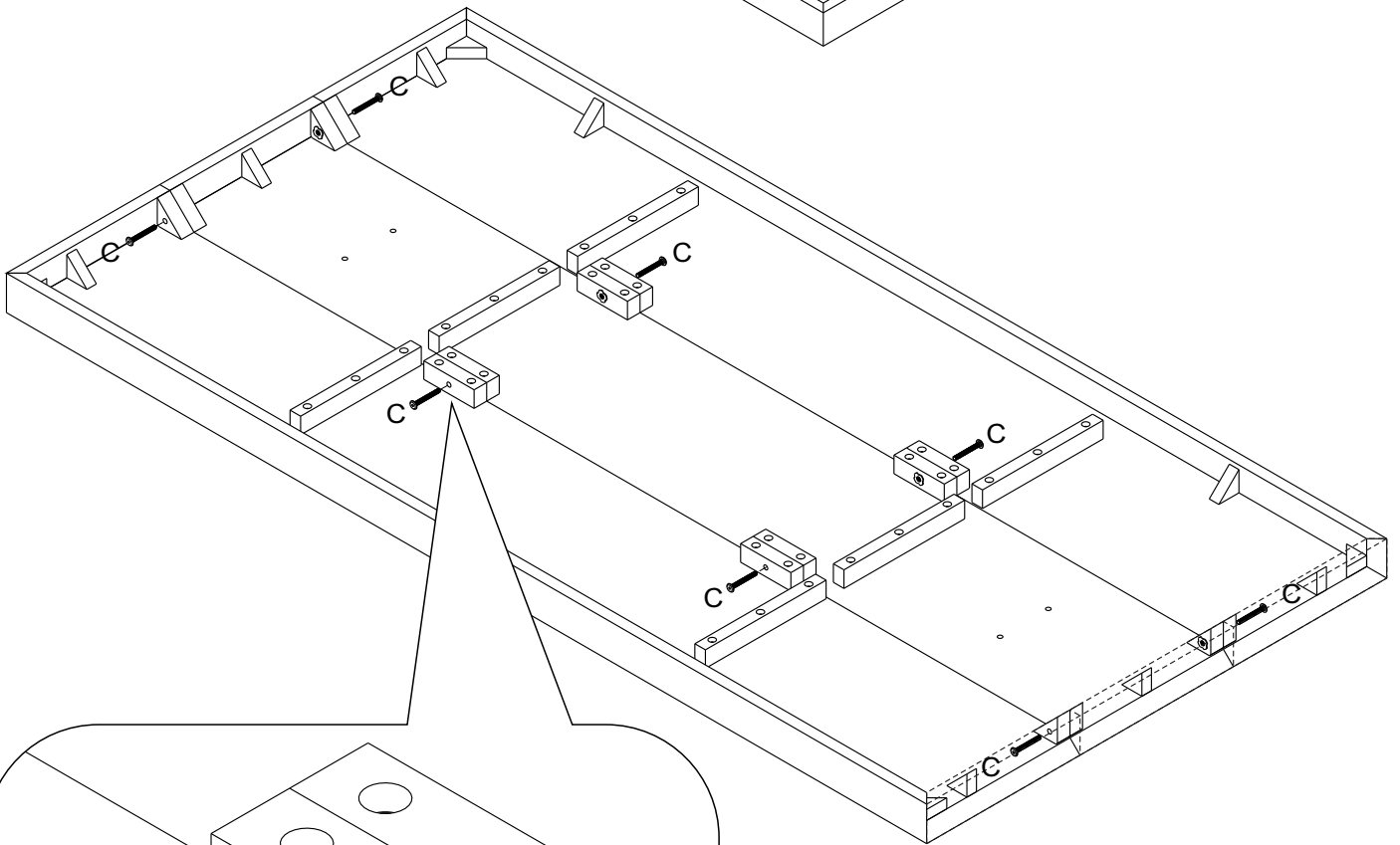
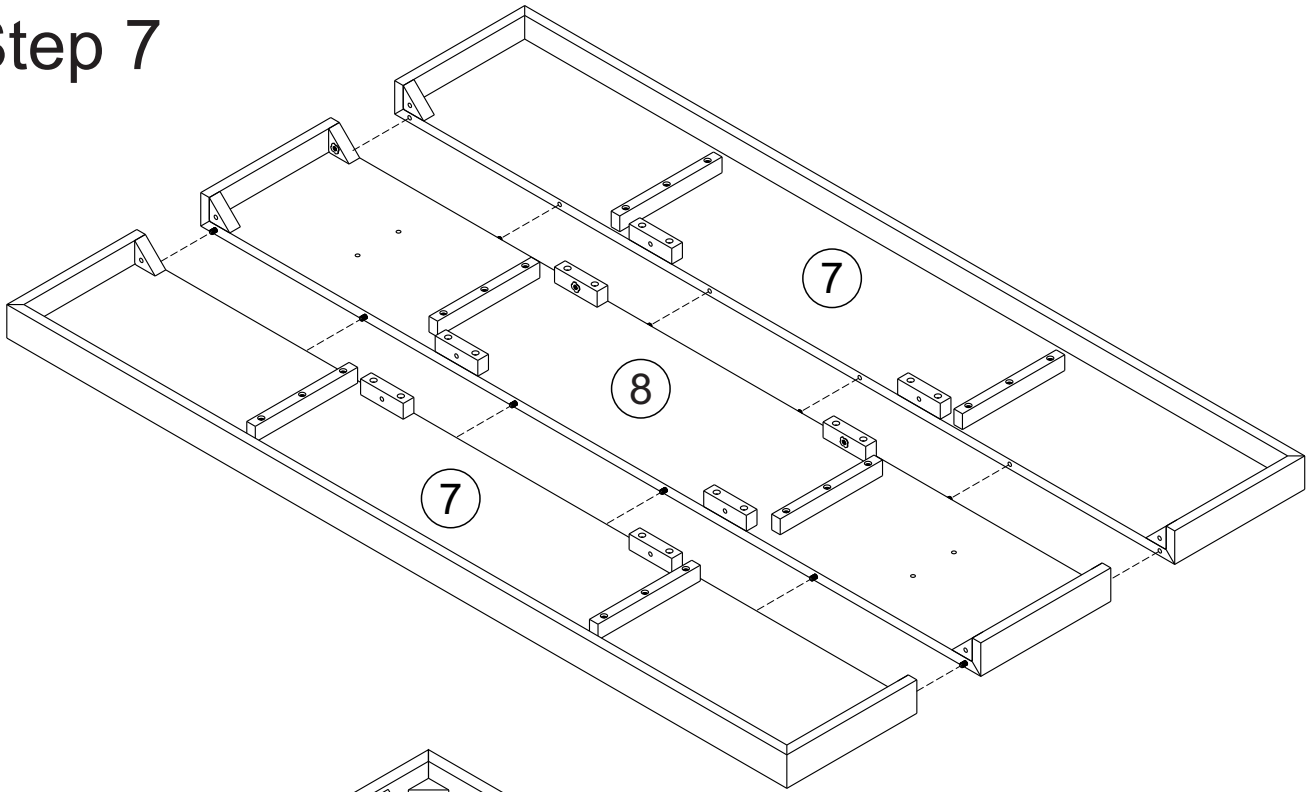
Attach part (6) to part (5) using bolt (D) and hex key (I).



Step 6



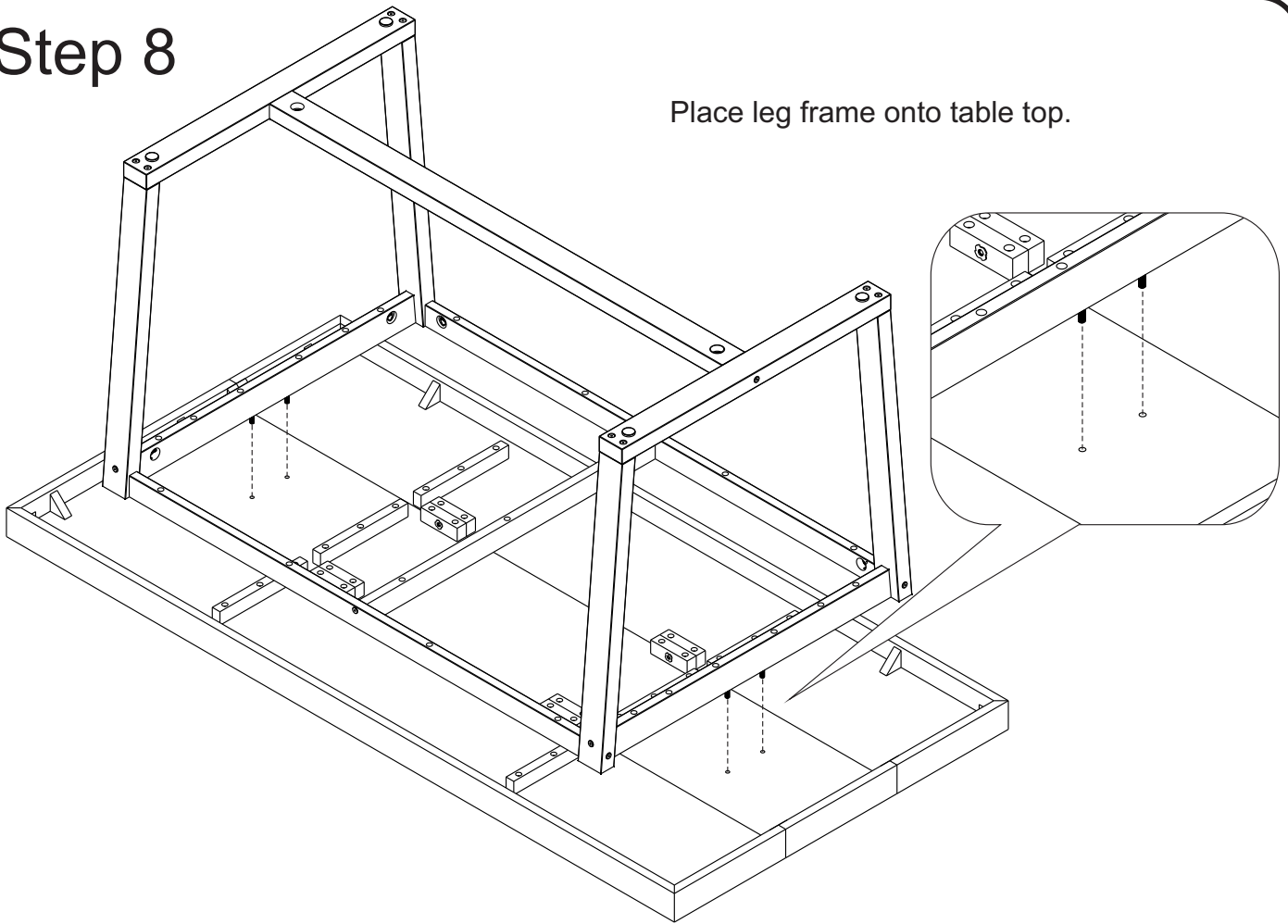
Step 7



Attach part (8) to part (7).
Secure the pieces using bolt (C)
and hex key (I).

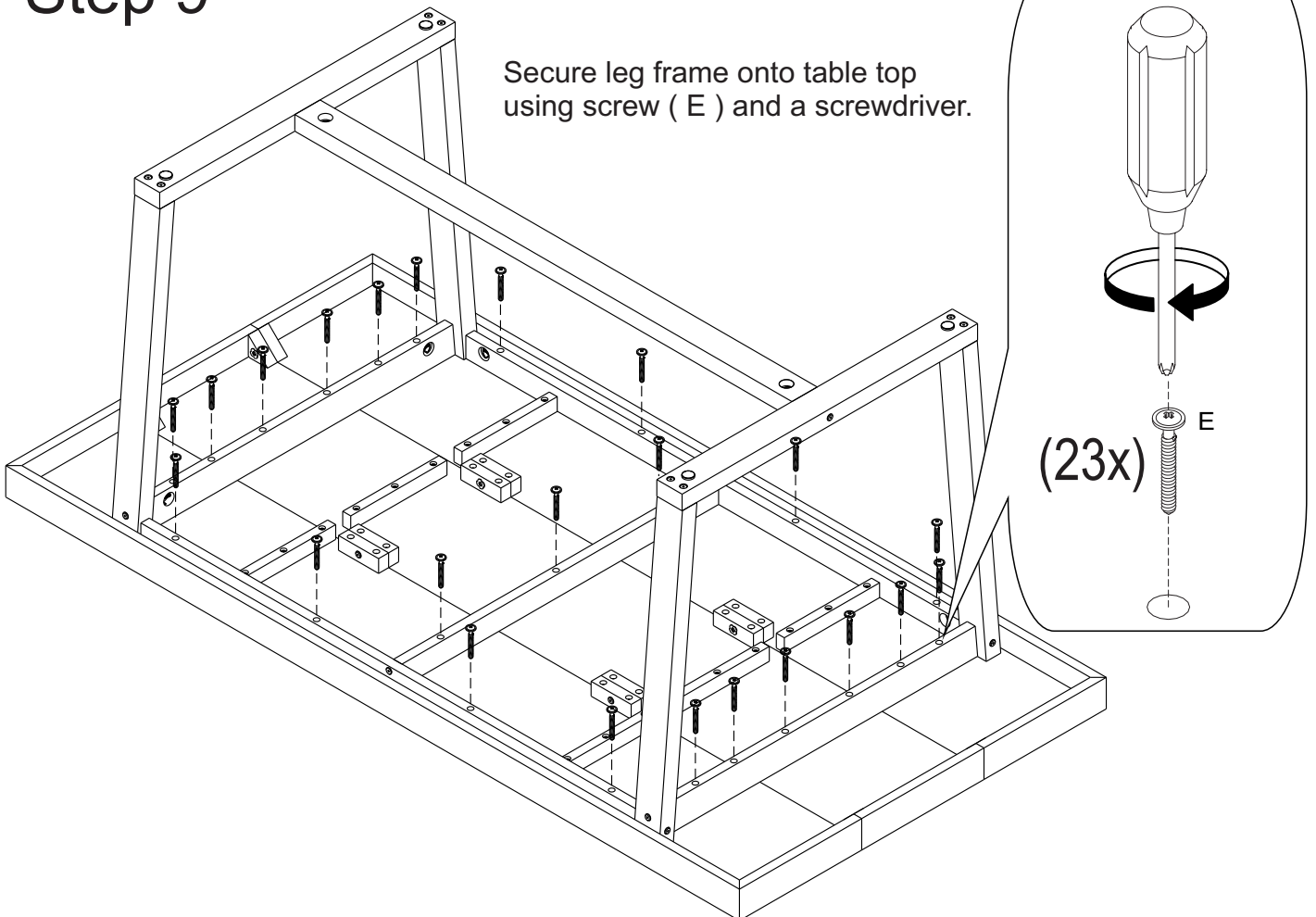
Step 8

Place leg frame onto table top.

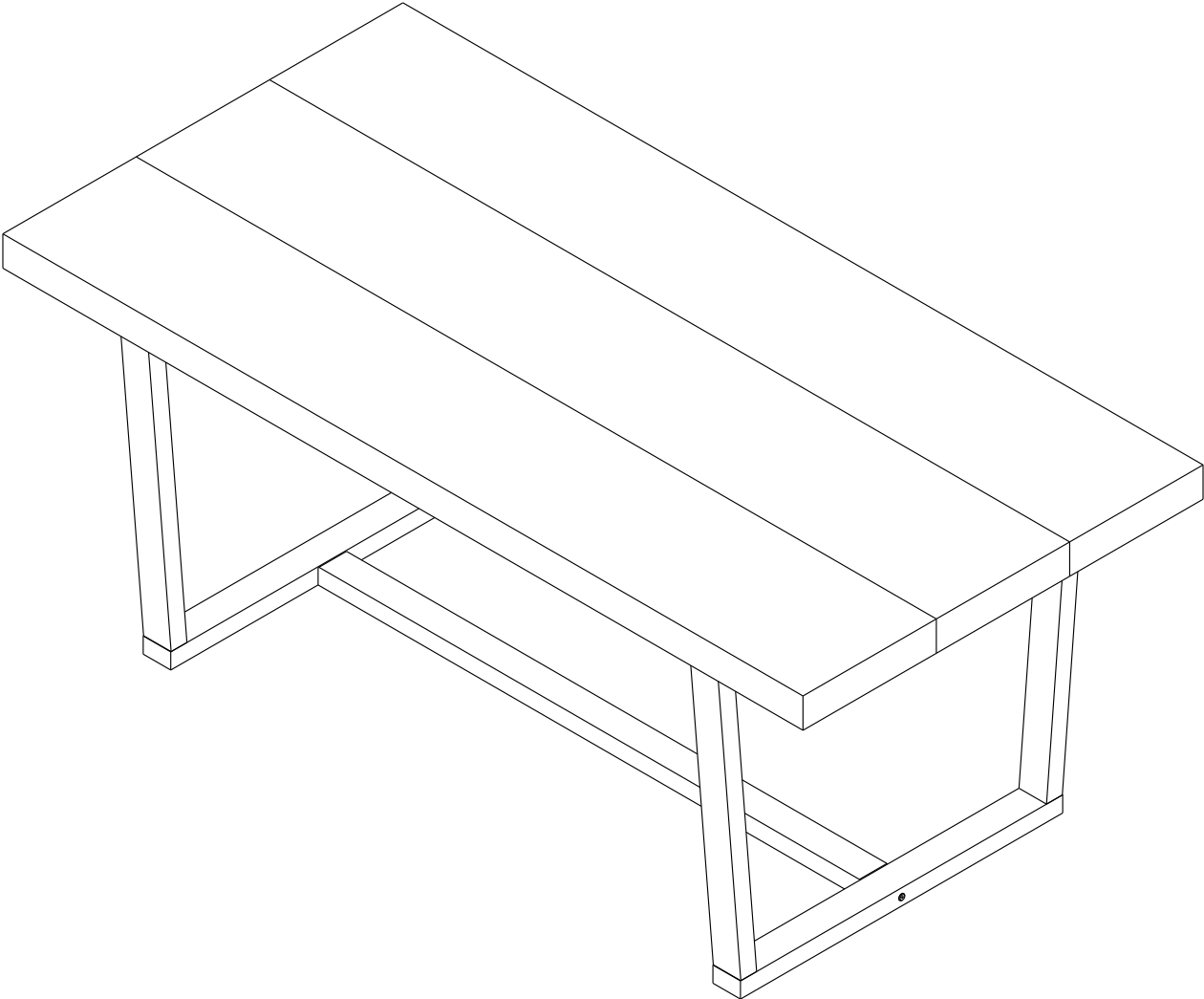


Step 9

Secure leg frame onto table top using screw (E) and a screwdriver.



Step 10



Final Assembly.