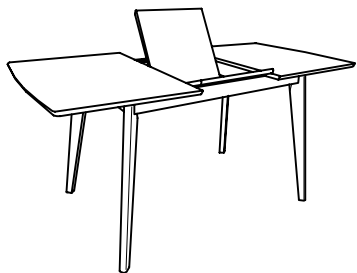


# ASSEMBLY INSTRUCTION

Item No: D829-10

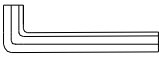



Description : BUTTERFLY EXTENSION TABLE



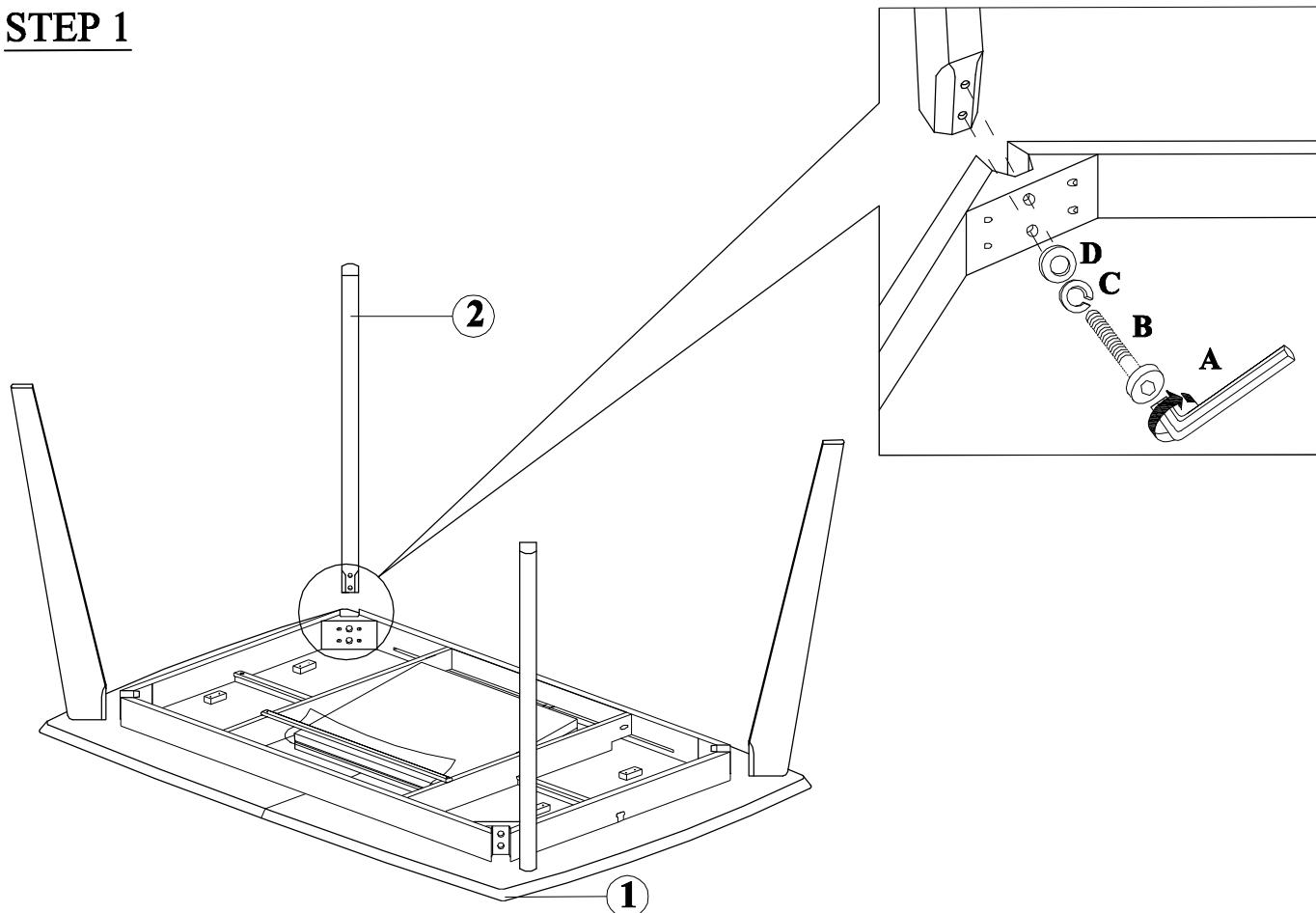
## IMPORTANT NOTE :

- Place all wooden parts on a clean and smooth surface such as a rug or carpet to avoid the parts from being scratched.
- Check to be sure that you have all parts and hardware.
- Remove all wrapping materials, including staples & packing straps before you start to assemble.
- Do not tighten all screws/bolts until all completely assembled.
- Keep all hardware parts out of reach of children.

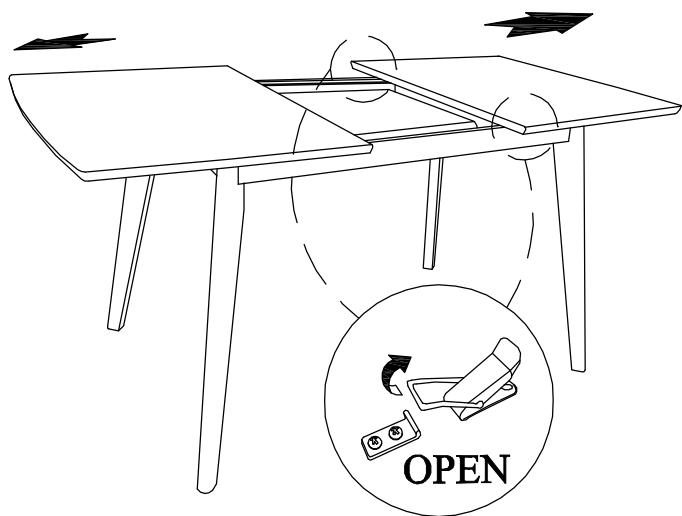
PARTS LIST		
NO.	DESCRIPTION	QTY.
1	TABLE TOP	1 PC
2	TABLE LEG	4 PCS

HARDWARE LIST		
NO.	DESCRIPTION	QTY.
A	ALLEN KEY M4 X 63MM 	1 PC
B	JCBC BOLT M6 X 60 MM 	8 PCS
C	SPRING WASHER 1/4" 	8 PCS
D	FLAT WASHER 5/16MM 	8 PCS

## STEP 1

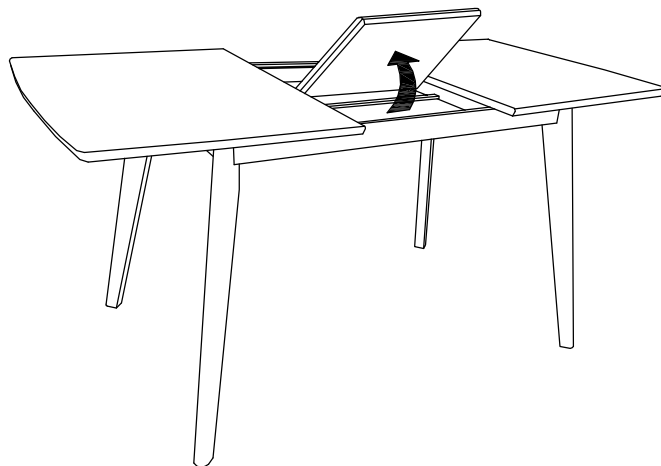


## STEP 2



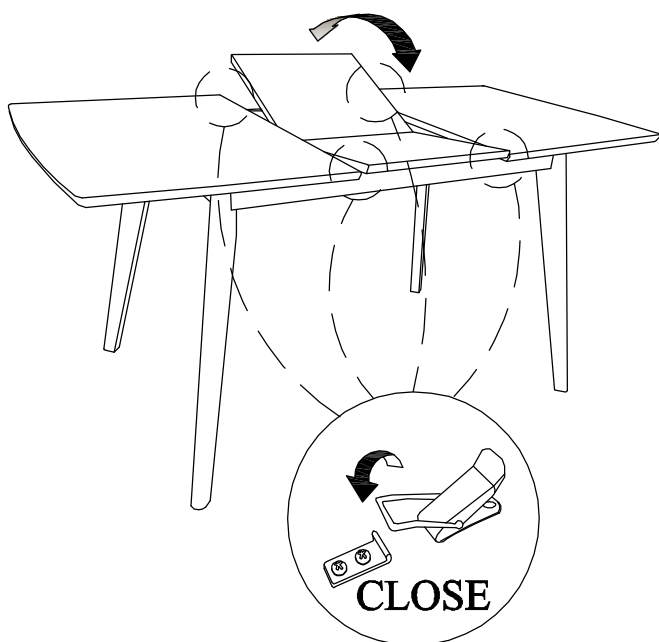
Note : To open the extension,open the latch and pull the two table top pieces a part.

## STEP 3



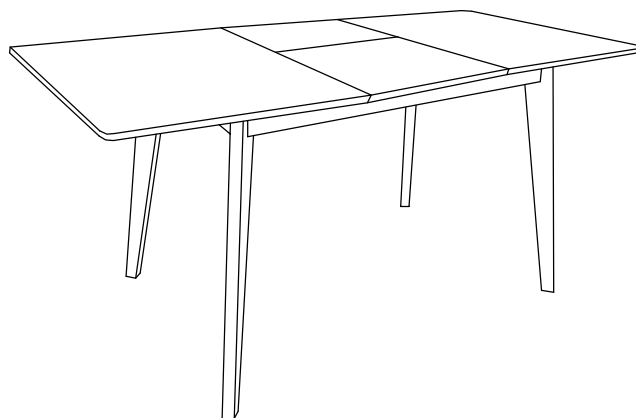
Note :Lift the extension pieces out and open up.

## STEP 4



Note : Once the extension is in place,close the latch.

## STEP 5



Note :Job Complete.