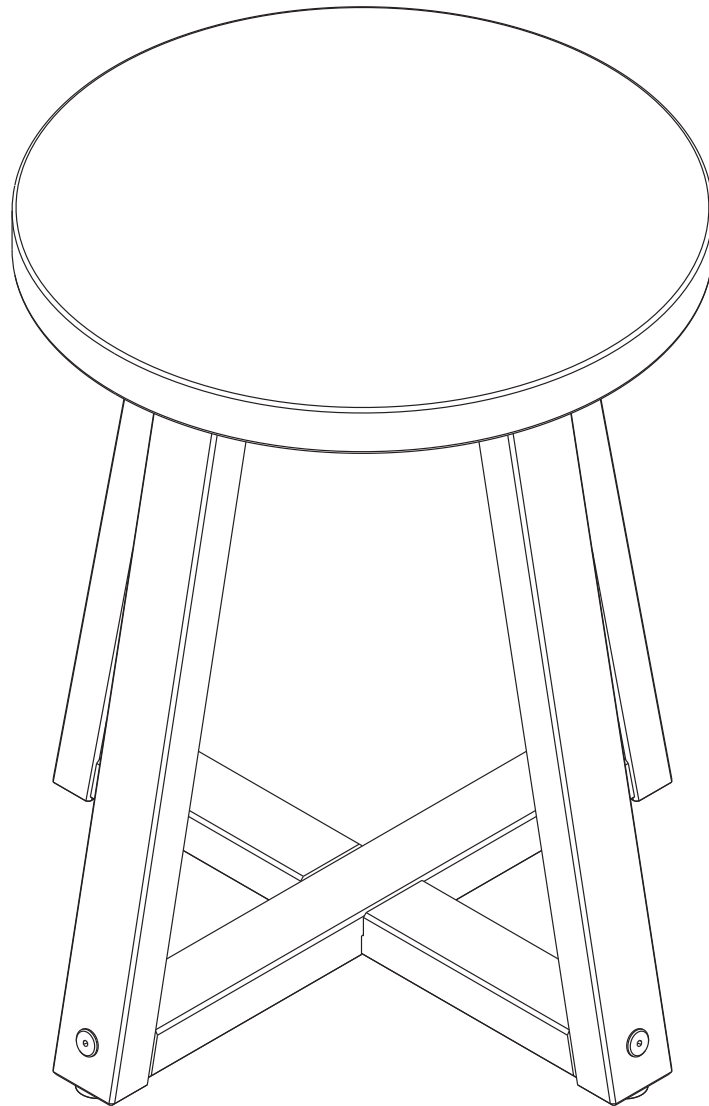


Item # : DNGD8E

Assembly Instructions

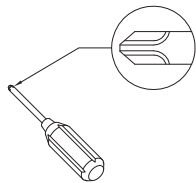


Please visit our website for the most current instructions, assembly tips, report damage, or request parts. www.walkerredison.com

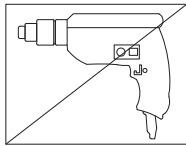
Revised 06/2022

General Assembly Guidelines

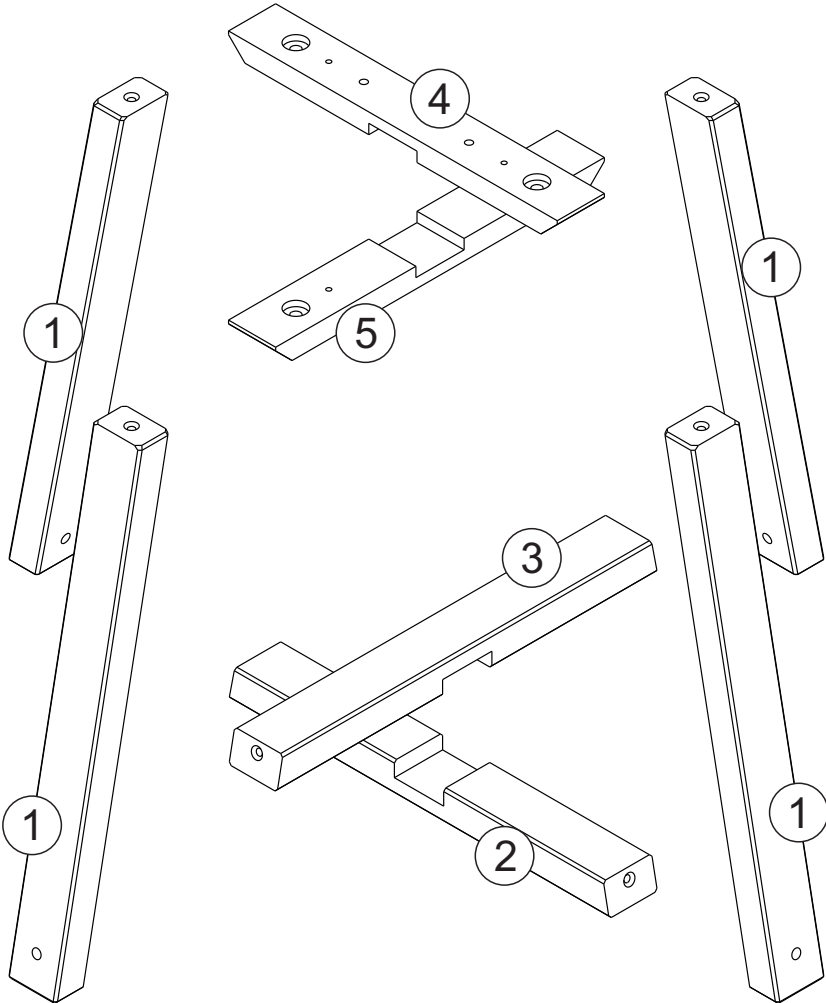
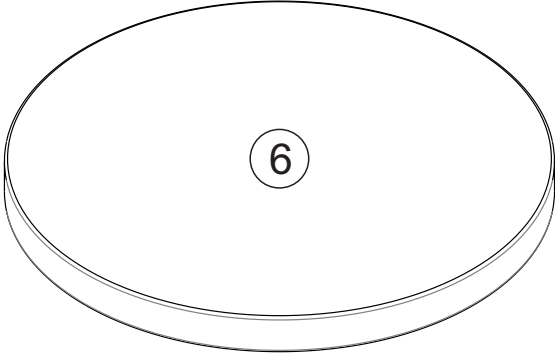
- I. Ensure that all parts and hardware are available before beginning assembly.
- II. Follow each step carefully to ensure the proper assembly of this product.
- III. Two people are recommended for ease in the assembly of this product.
- IV. The three main types of hardware used to assemble this product are : wood dowels , screws and bolts.
- V. A Phillips head screwdriver is required for the assembly of this product .



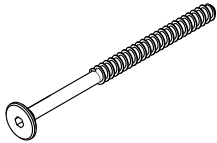
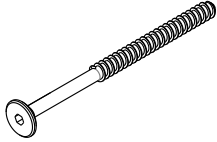
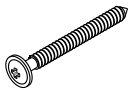
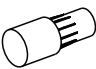
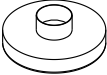
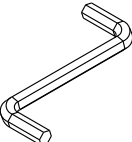
- VI. Power tools should not be used to assemble this product .

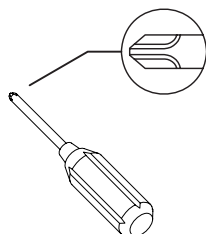
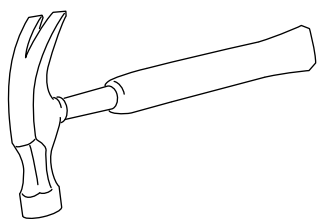


Parts List



Hardware List

A		Ø7.0x60 mm	Bolt	08 pcs
B		Ø7.0x50 mm	Bolt	08 pcs
C		Ø4.0x40 mm	Screw	08 pcs
D			Plastic Support	04 pcs
E			Plastic foot	08 pcs
F		M4	Hex key	01 pcs



Philips head screwdriver required for assembly
(not included)

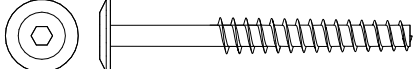
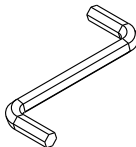
Mallet or hammer recommended for assembly
(not included)

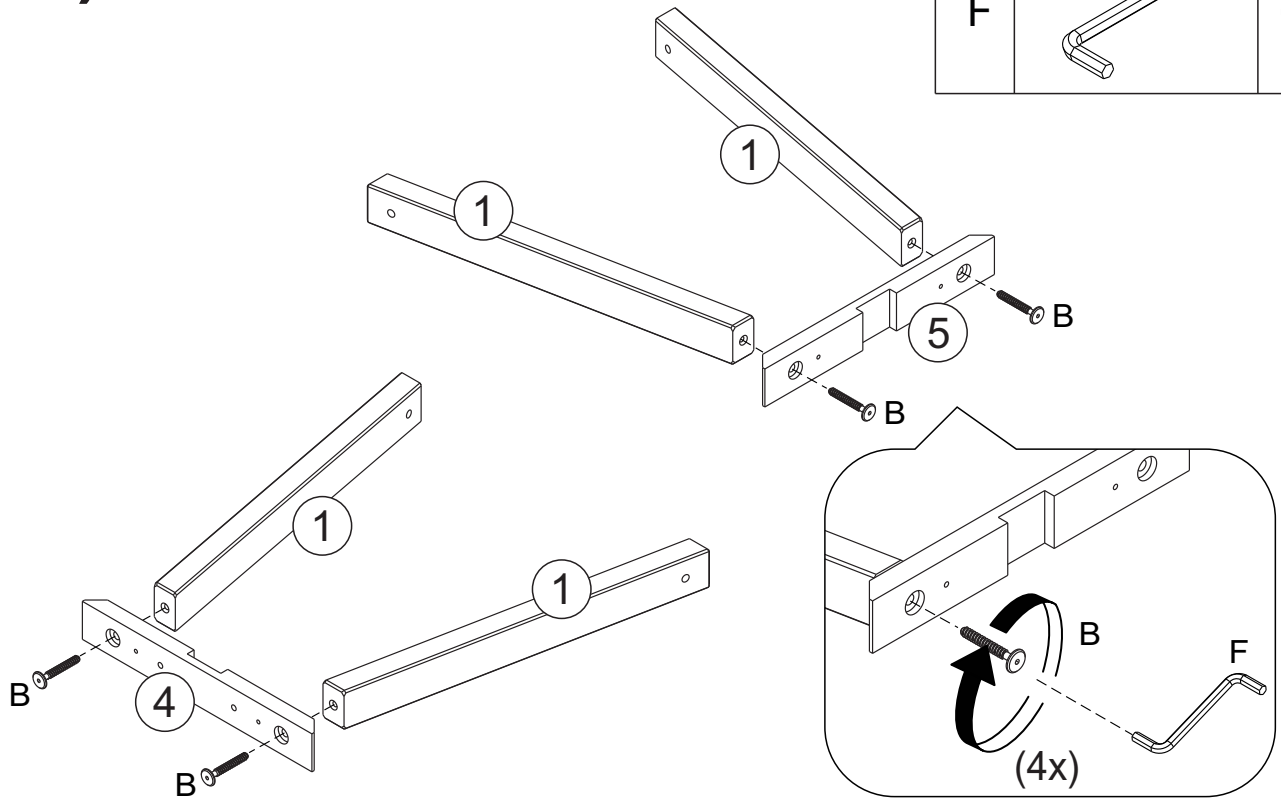
*The hardware quantities listed above are required for proper assembly.
Some extra hardware may also have been included.*

Step 1 (2x)

1st - Attach part (1) to part (5) using bolt (B) and a hex key (F).

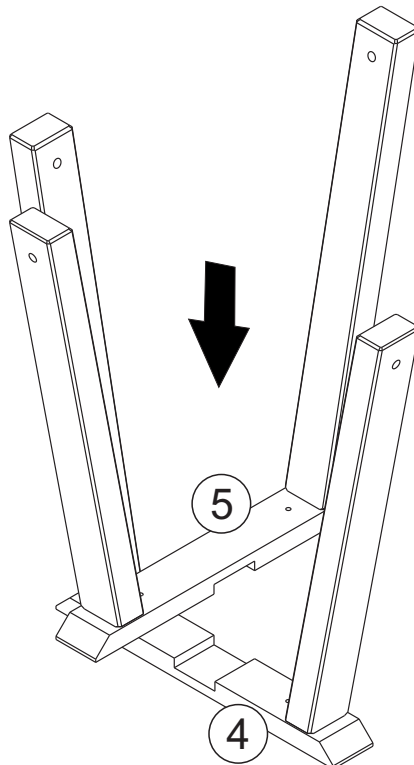
2nd - Attach part (1) to part (4) using bolt (B) and a hex key (F).

B		08
F		01



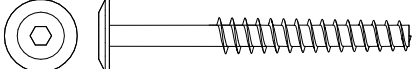
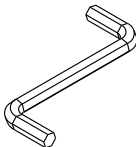
Step 2 (2x)

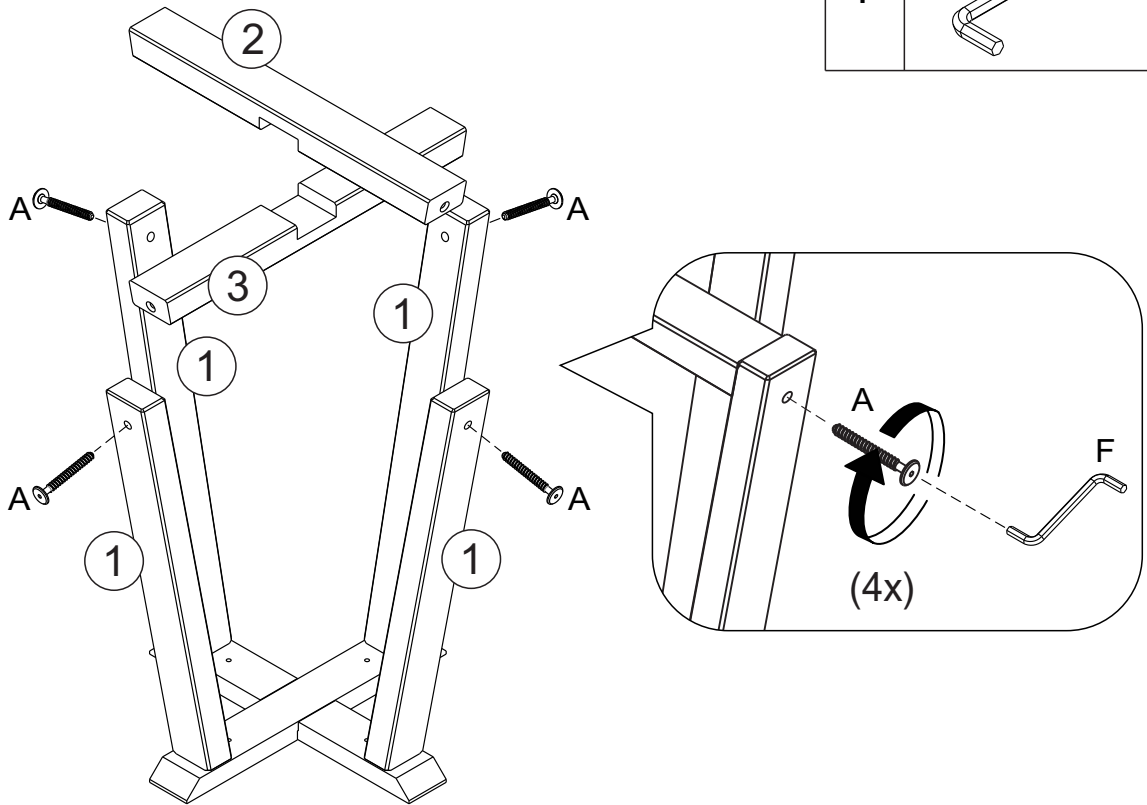
Place part (5) frame onto part (4) frame.



Step 3 Attach part (2) and (3) to part (1) using bolt (A) and a hex key (F).


(2x)

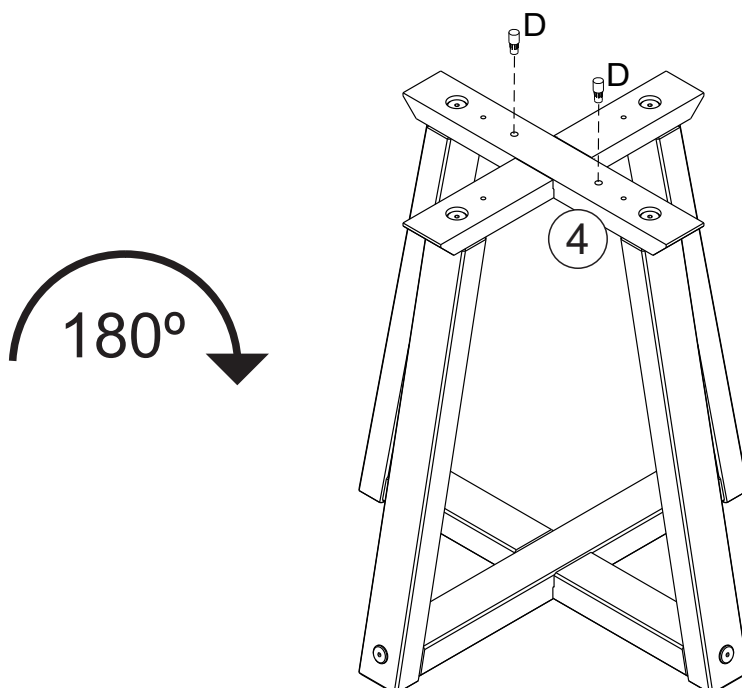
A		08
F		01



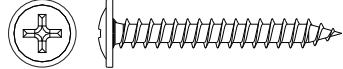
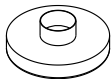
Step 4 After turned item, insert the Plastic Support (D) in part (4).

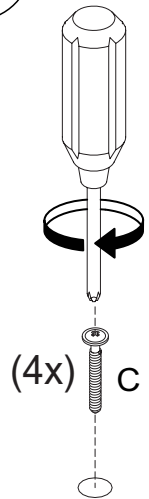
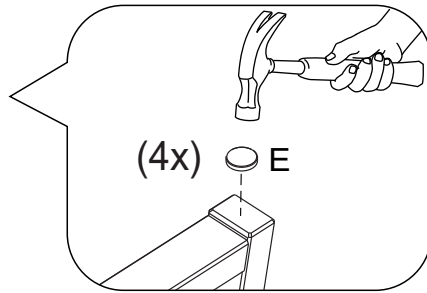
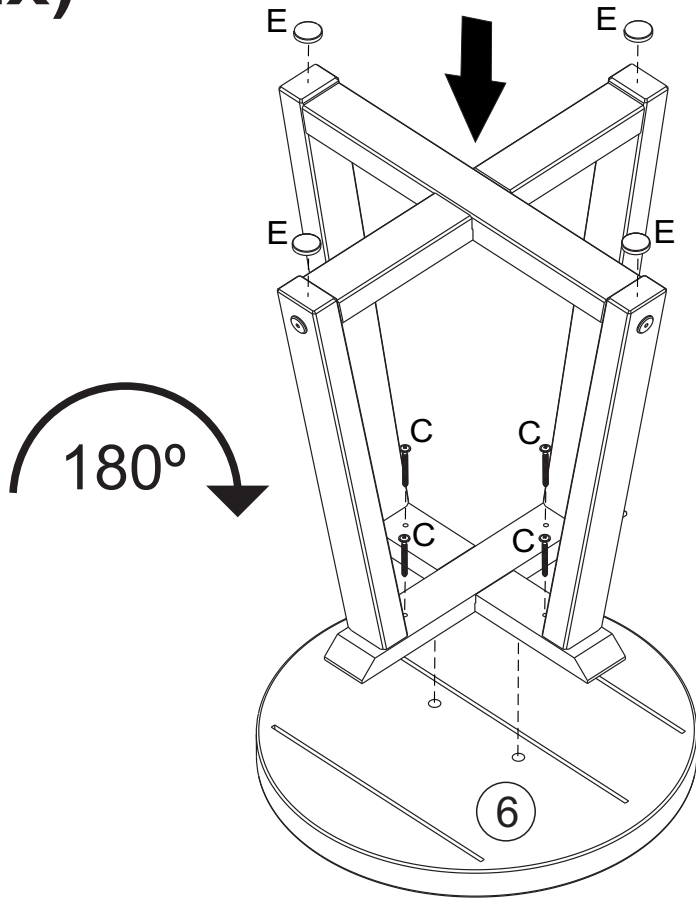
(2x)

D		04
---	---------------------------------------------------------------------------------------	----

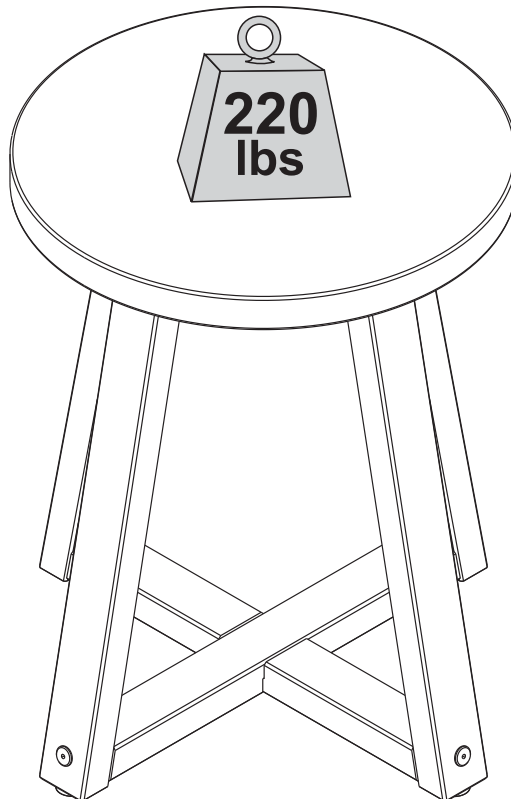


Step 5 Turn the item again! Secure leg frame onto part (6) using screw (C) and a screwdriver (not included). Attach plastic feet (E) to leg frame.
(2x)

C		08
E		08



Step 6 To have a stable item, make sure all screws are tight.
(2x)



Final Assembly.