

# ASSEMBLY INSTRUCTION

MODEL: 8033 Fun Chair

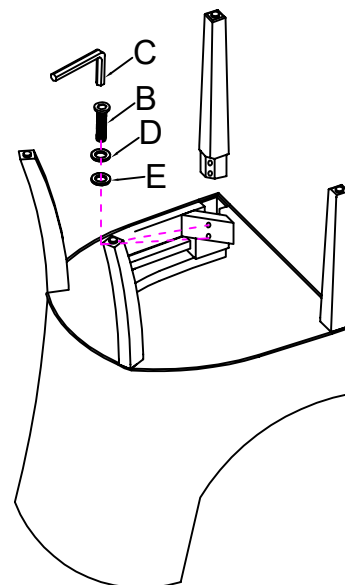
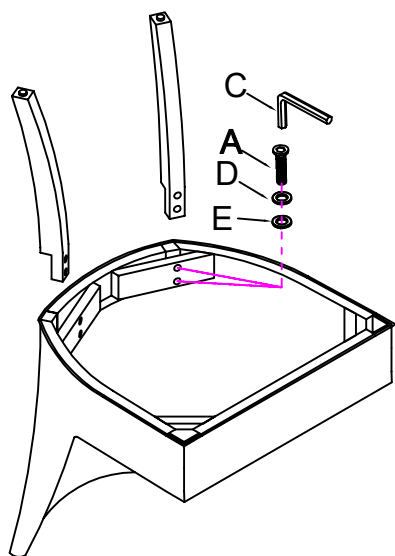
**CAUTION:** PLEASE READ ALL INSTRUCTIONS BEFORE STARTING THE ASSEMBLY OF THIS PRODUCT. THESE PIECES ARE HEAVY. IN ORDER TO PREVENT PERSONAL INJURY AND ENSURE THAT THIS PRODUCT IS NOT DAMAGED DURING THE ASSEMBLY PROCESS, IT IS STRONGLY RECOMMENDED THAT YOU ENLIST THE ASSISTANCE OF ONE OR MORE PEOPLE.

**ATTENTION :** VEUILLEZ LIRE TOUTES LES INSTRUCTIONS AVANT DE COMMENCER L'ASSEMBLAGE DE CE PRODUIT, LES PIECES SONT LOURDES. POUR EVITER TOUTE BLESSURE ET POUR VOUS ASSURER QUE LE PRODUIT N'EST PAS ENDOMMAGE' PENDANT L'ASSEMBLAGE, NOUS VOUS RECOMMANDONS DE FAIRE APPEL A UNE OU PLUSIEURS AUTRES PERSONNES .

**CUIDADO:** FAVOR DE LEER TODAS LAS INSTRUCCIONES ANTES DE ENSAMBLAR SU PRODUCTO. ESTAS PIEZAS SON PESADAS. PARA PREVENIR HERIDAS PERSONALES Y ASEGURAR QUE SU PRODUCTO NO SEA DAN ADO MIENTRAS ES ENSAMBLADO, SE RECOMIENDA LA ASISTENCIA DE UNA O MAUS PERSONAS.

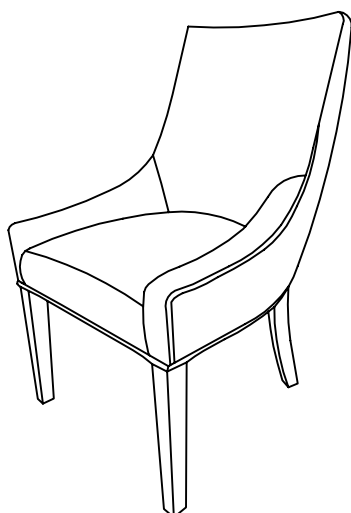
## STEP 1

Unzip the zipper from the seat frame.  
Attach rear legs to the seat frame as shown.  
Do not tighten before Step 2.








## STEP 3

Turn the chair up right.  
Assembly is complete.



## STEP 2

Attach front legs to seat frame and tighten all bolts at this step.  
Zip back the zippers after all bolts are tightened.

PARTS	MRP#	DESCRIPTION	Q'TY
A		Bolt(5/16"*1-3/4")	4
B		Bolt(5/16"*2-1/4")	4
C		Allen wrench(5mm)	1
D		Flat washer(5/16*12mm)	8
E		Flat washer(5/16*19mm)	8