
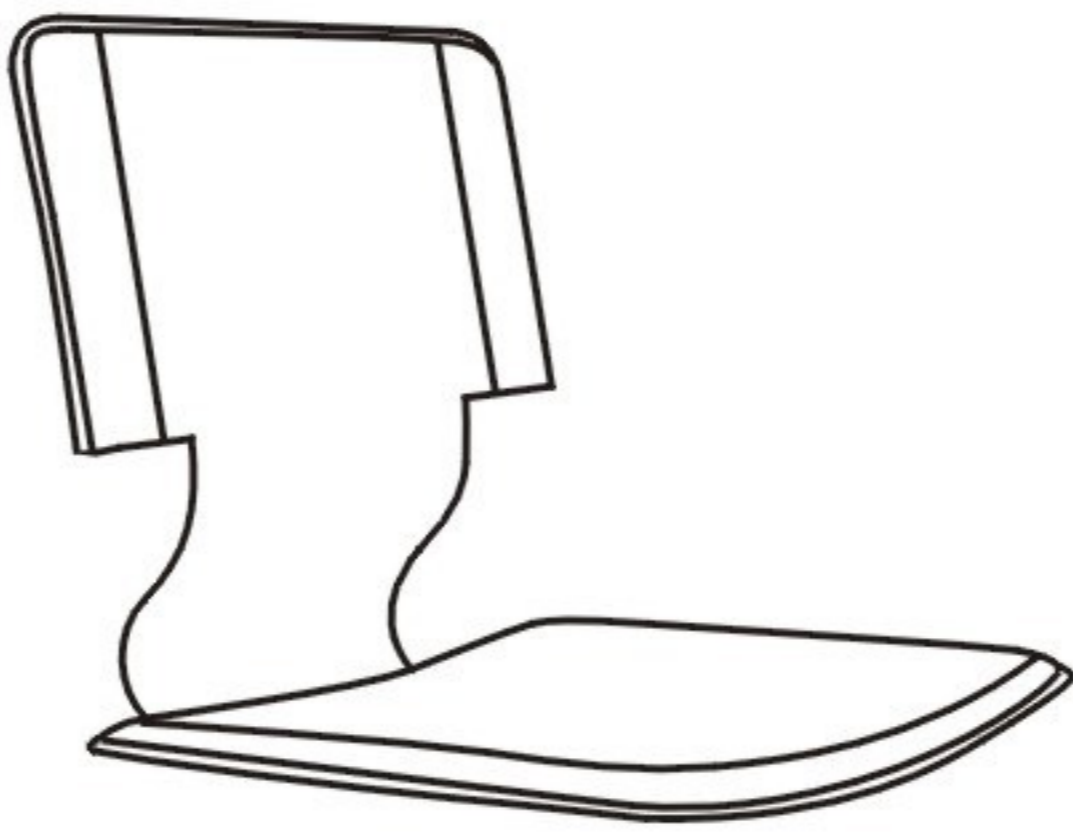



ITEM NAME /NOM D' ITEM:TRAFICO SIDE CHAIR

ITEM # /NO. ITEM:404131 (BLACK/NOIR) 404132 (WHITE/BLANC)
404133 (ESPRESSO/ESPRESSO)
404134 (GREEN/VERT)

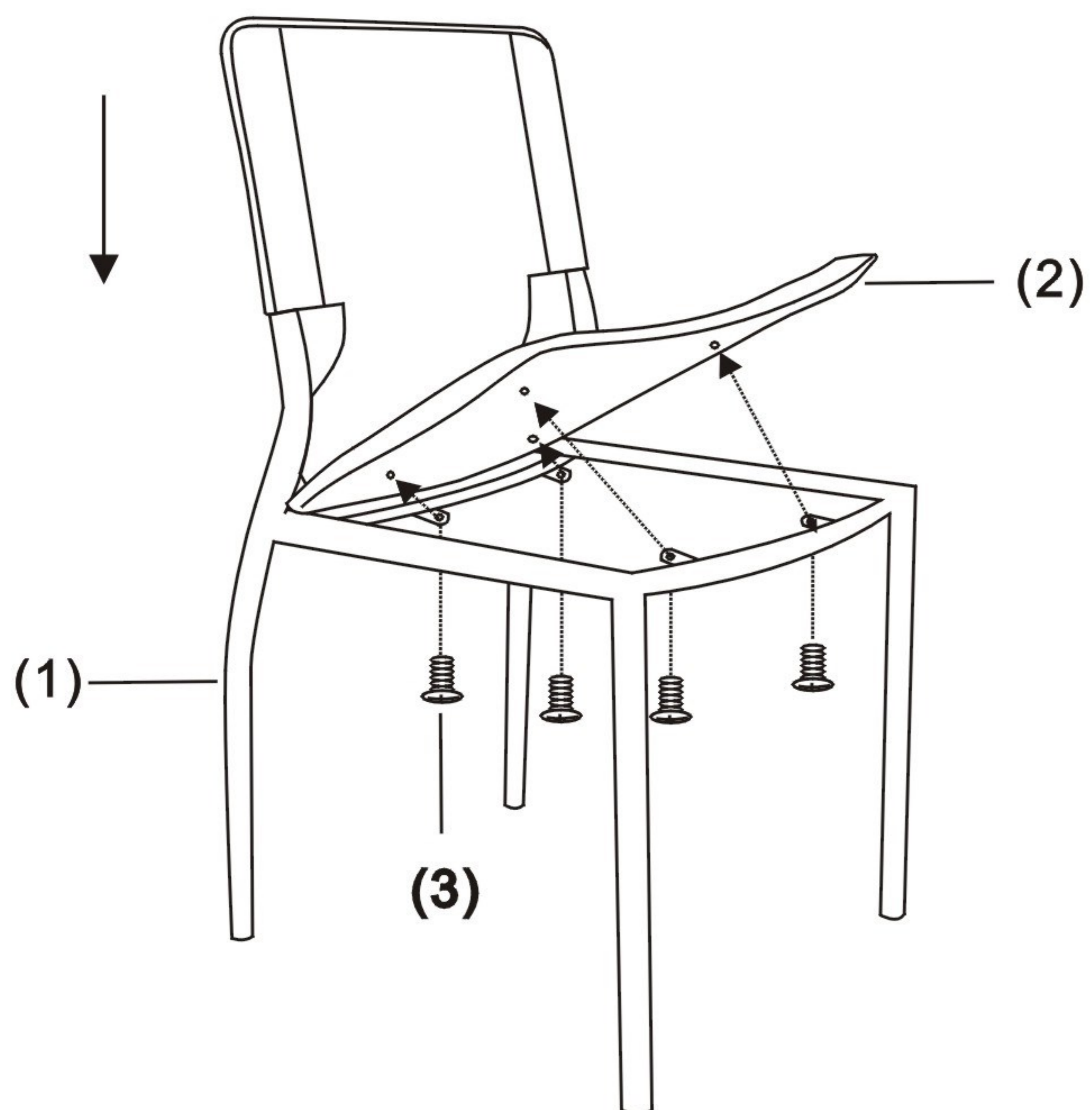
Enquiry:parts@zuomod.com

PART LIST/Liste des pièces

(1)	(2)	(3)
 <p>X1</p>	 <p>X1</p>	 <p>X4 6*16mm</p>

INSTRUCTION

A



B

