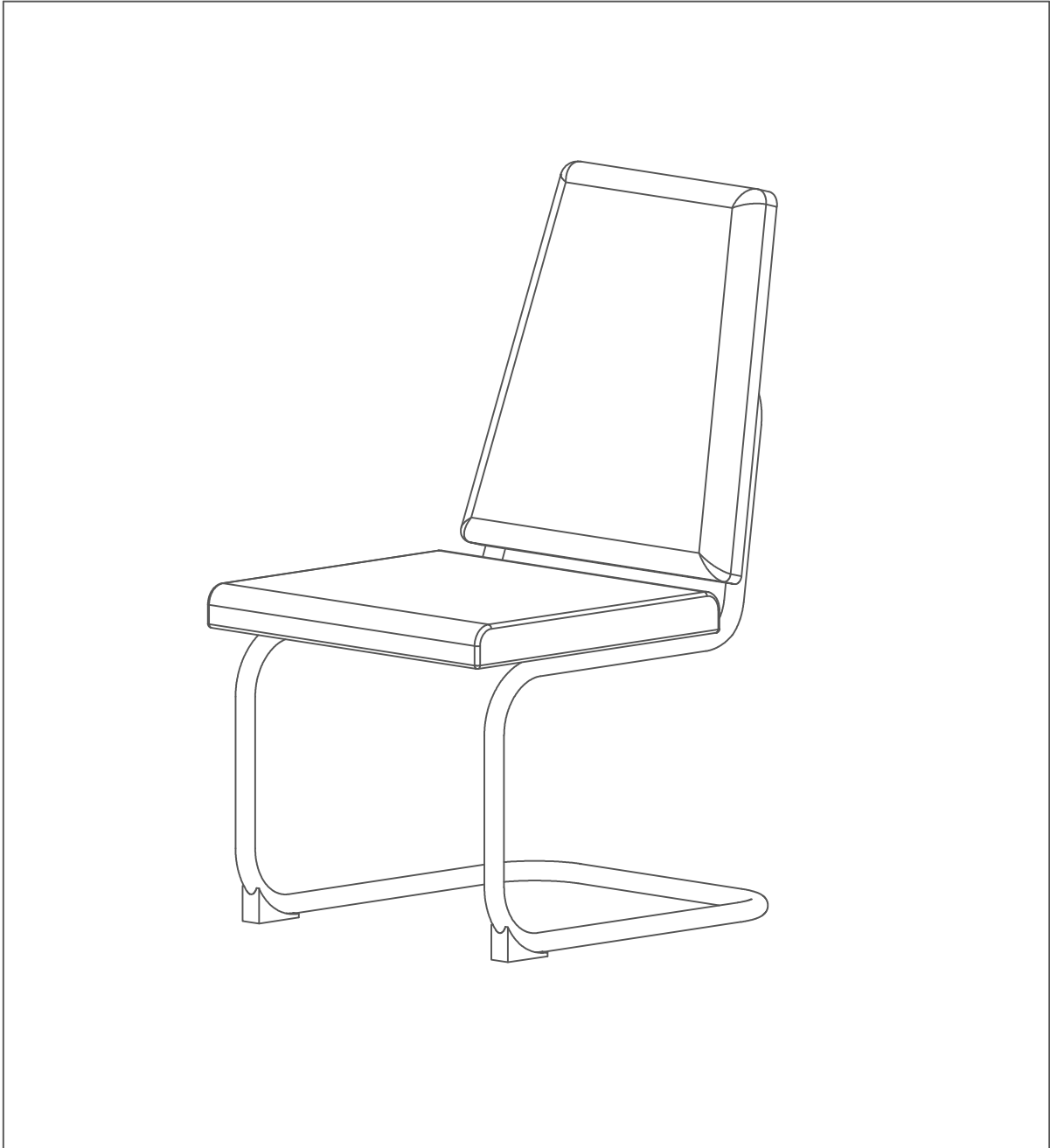
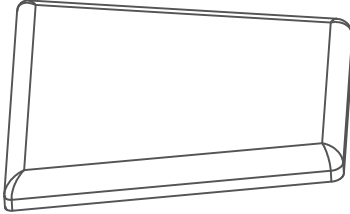
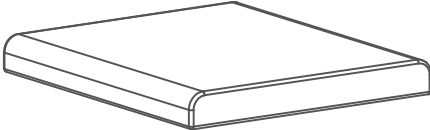
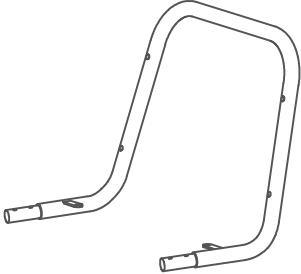
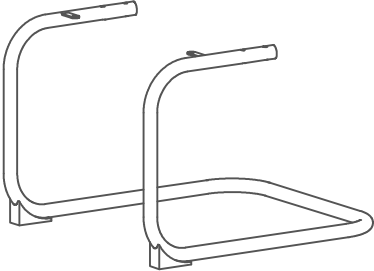


**Assembly Instructions**






6769DC



# Parts List

label	Picture	Qty
A		1
B		1
C <sub>1</sub>		1
C <sub>2</sub>		1

# Hardware List

label	Picture	Description	Size	Qty
H-1		Bolt	M6x15 mm	4
H-2		Bolt	M6x25 mm	4
H-3		Bolt	M6x35 mm	4
H-4		Gasket		4
H-5		Gasket		4

# Tool List

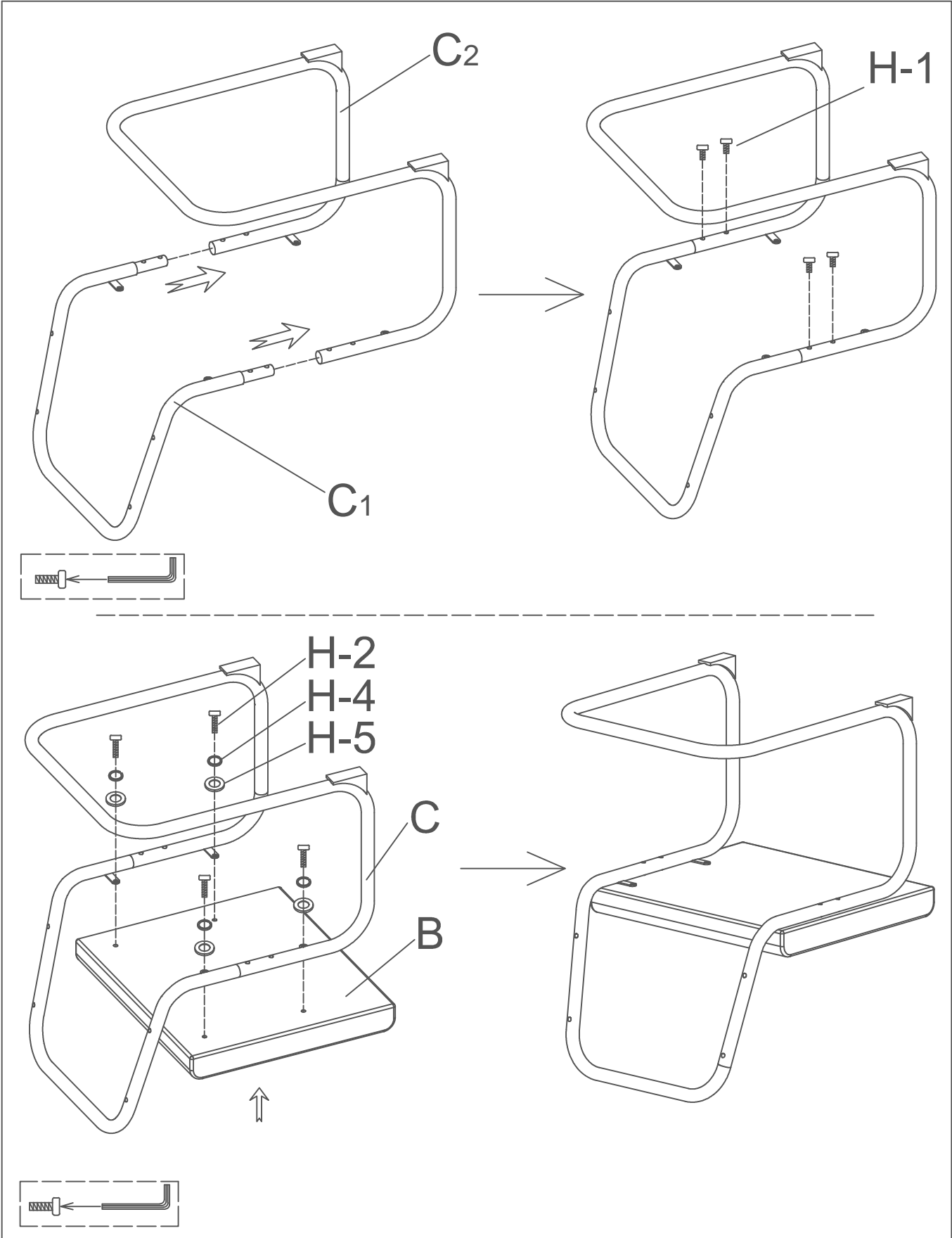
label	Picture	Description	Size	Qty
T-1		Allen Key	φ4 mm	1

# Assembly Steps

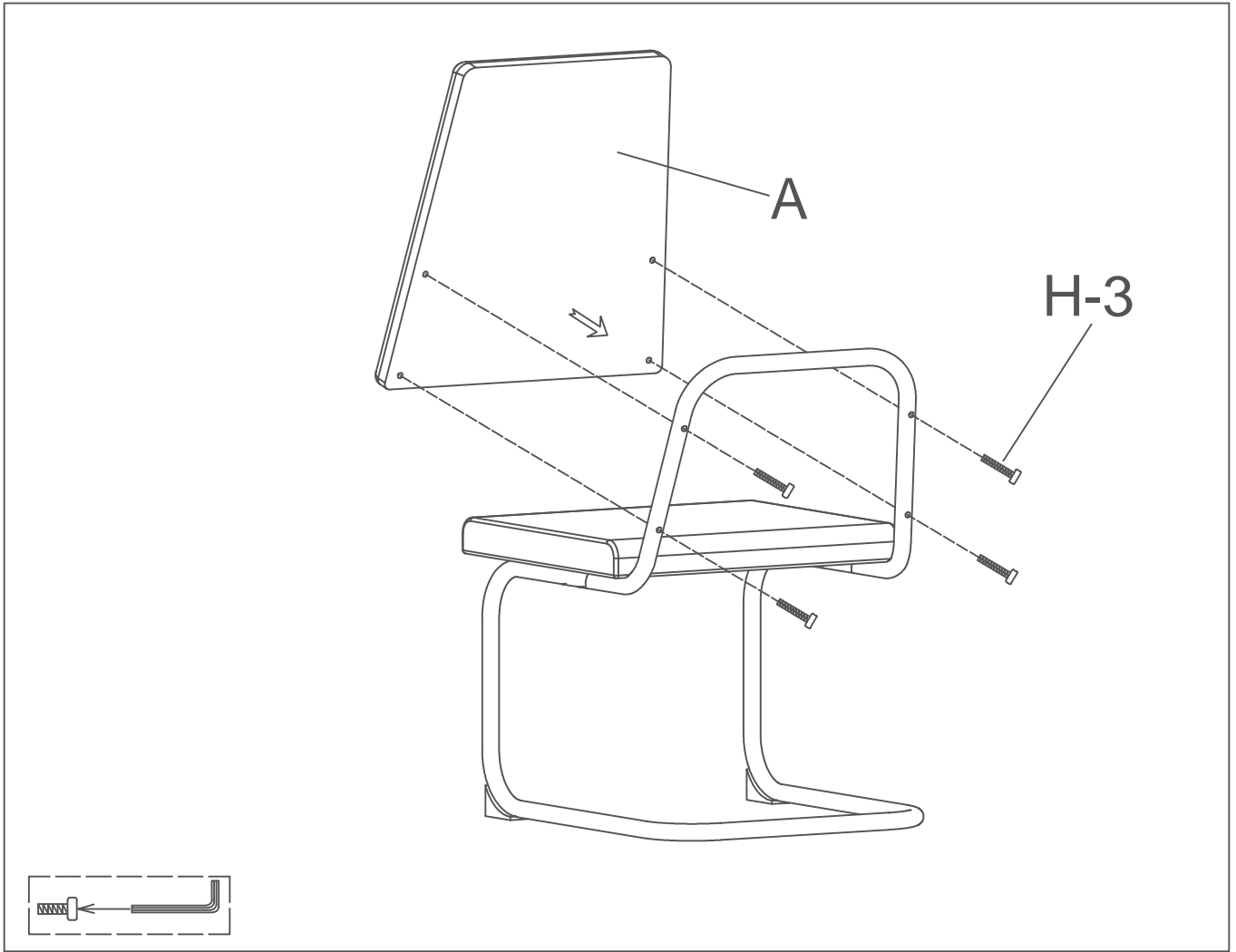
ATTENTION:

DO NOT COMPLETELY TIGHTEN ANY SCREWS UNTIL ALL PARTS ARE IN PLACE

## Step 1



## Step 2



## Step 3

