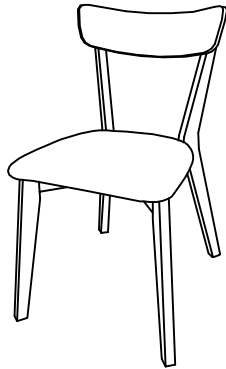


# ASSEMBLY INSTRUCTION

Item No: D829-61

Description: DINING CHAIR


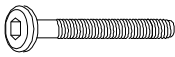
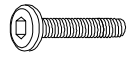

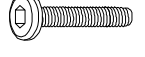





## IMPORTANT NOTE:

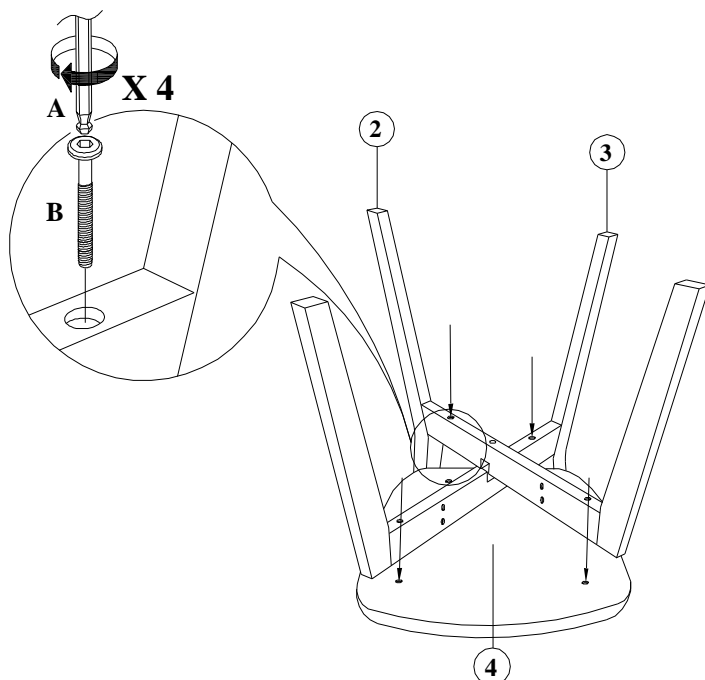
- Place all wooden parts on a clean and smooth surface such as a rug or carpet to avoid the parts from being scratched.
- Check to be sure that you have all parts and hardware.
- Remove all wrapping materials, including staples & packing straps before you start to assemble.
- Do not tighten all screws/bolts until all completely assembled.
- Keep all hardware parts out of reach of children.

Each chair

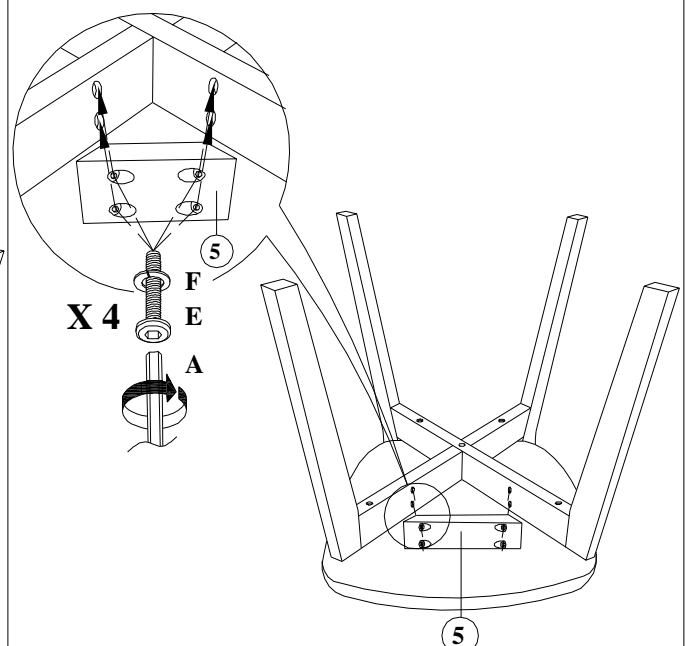
PARTS LIST		
NO.	DESCRIPTION	QTY.
1	CHAIR CAP RAIL	1 PC
2	LEG MEMBER (UP)	1 PC
3	LEG MEMBER (DOWN)	1 PC
4	CUSHION SEAT	1 PC
5	CORNER BLOCK	1 PC

HARDWARE LIST		
NO.	DESCRIPTION	QTY.
A	ALLEN KEY M4 X 63 MM 	1 PC
B	JCBC LONG BOLT M6 X 60 MM 	4 PCS
C	JCBC SHORT BOLT M6 X 25 MM 	4 PCS
D	HEX CONNECTING SCREW M7 X 50MM ZB (10#) 	1 PC
E	JCBC LONG BOLT M6 X 35 MM 	4 PCS
F	SPRING WASHER 1/4" 	8 PCS
G	FLAT WASHER M6 X 13MM 	4 PCS
H	WOOD BUTTON Ø14.5 X 9MM 	4 PCS

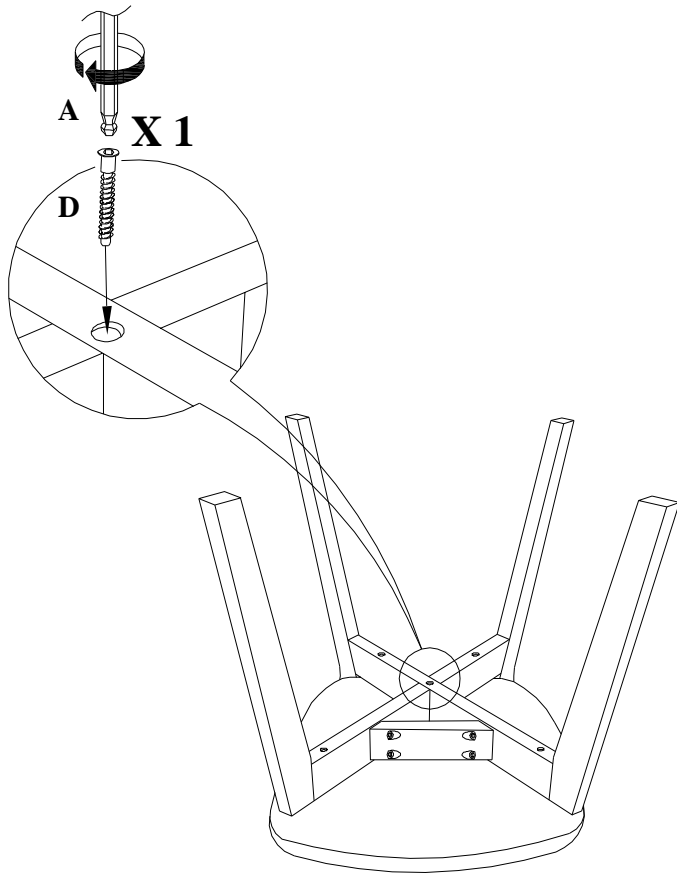
### STEP 1



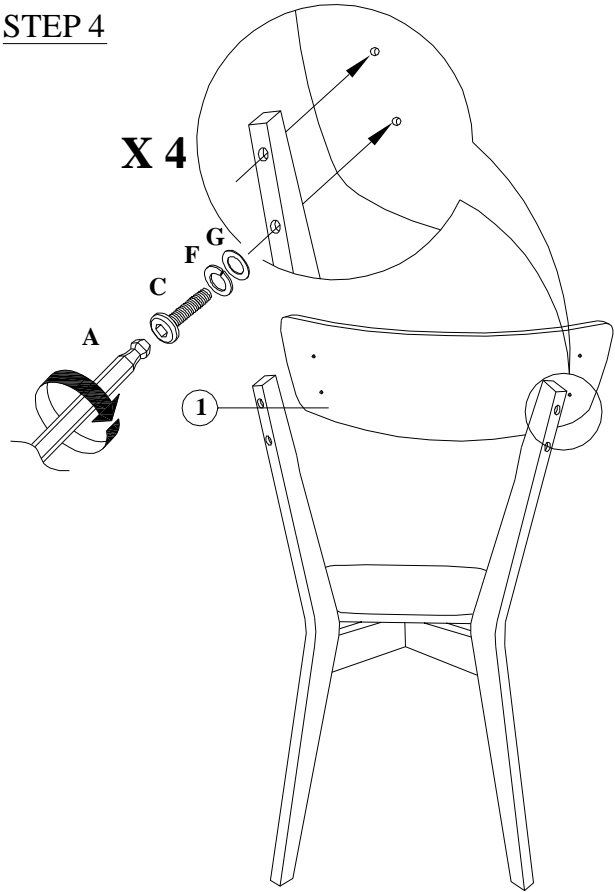
### STEP 2



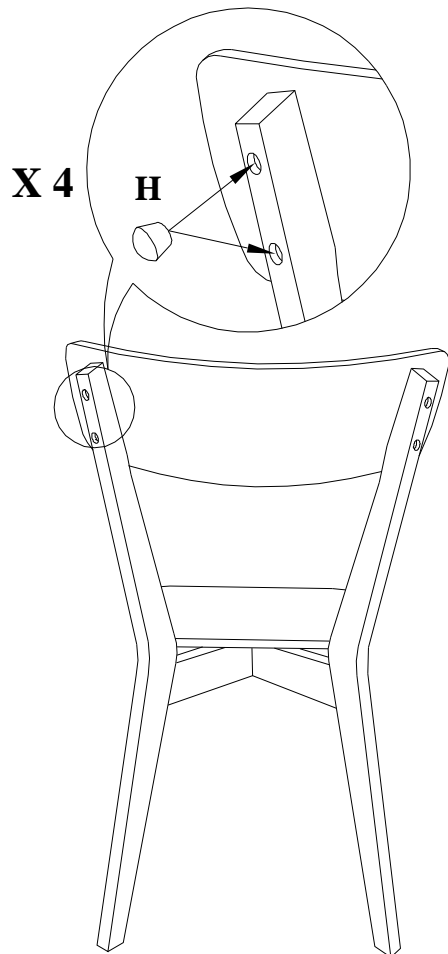
**STEP 3**



**STEP 4**



**STEP 5**



**STEP 6**

