



MANHATTAN
COMFORT

888-230-2225

help@manhattancomfort.com



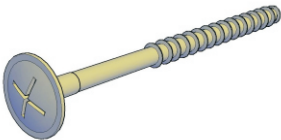
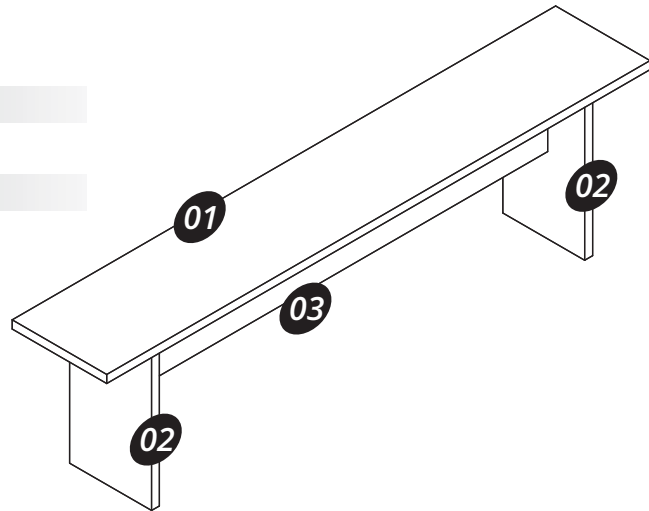
Nomad
dining bench

Included in the package

01 - Seat Panel = 01 piece

02 - Legs = 02 pieces

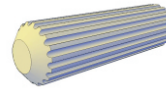
03 - Crossbar = 01 piece



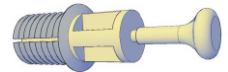
A = 04x



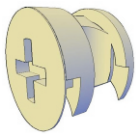
B = 04x



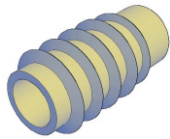
C = 10x



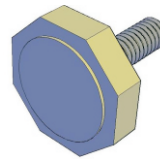
D = 07x



E = 07x



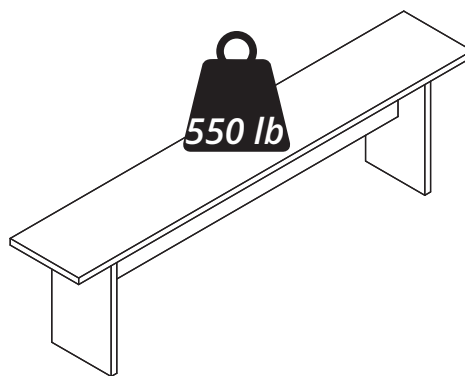
F = 04x



G = 04x



H = 11x



Tools needed
(not included)

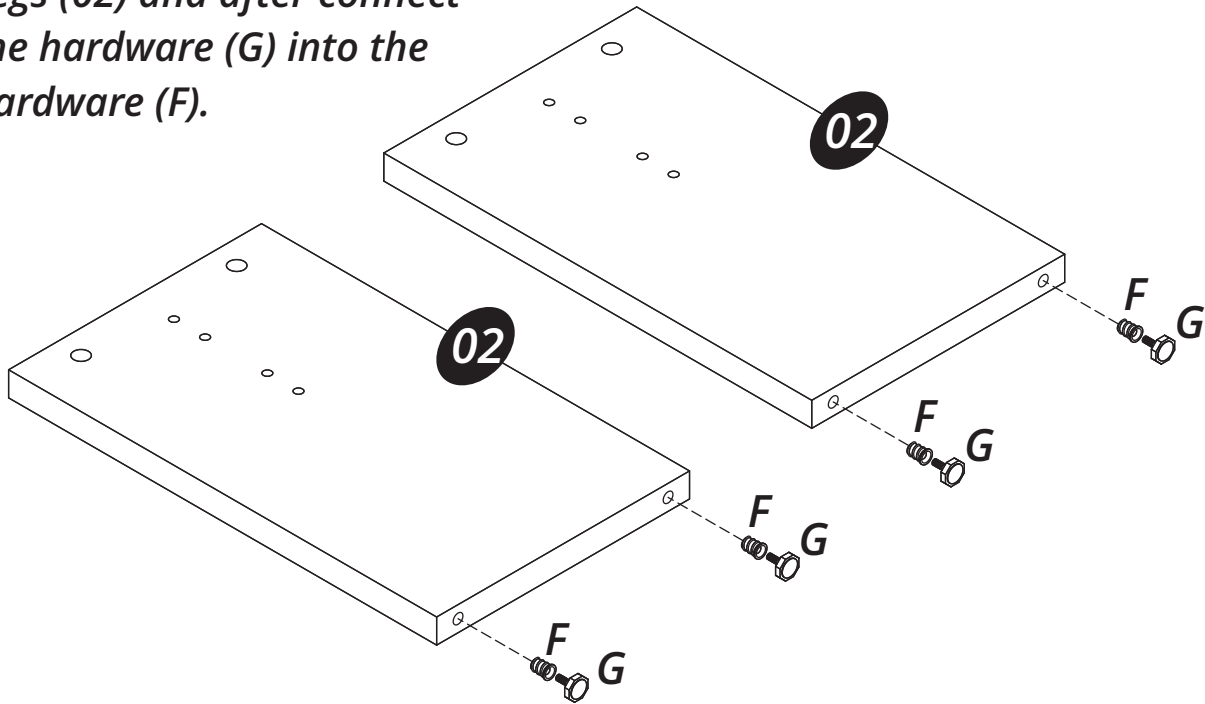


⊕ Phillips screw driver

⊖ Screw driver

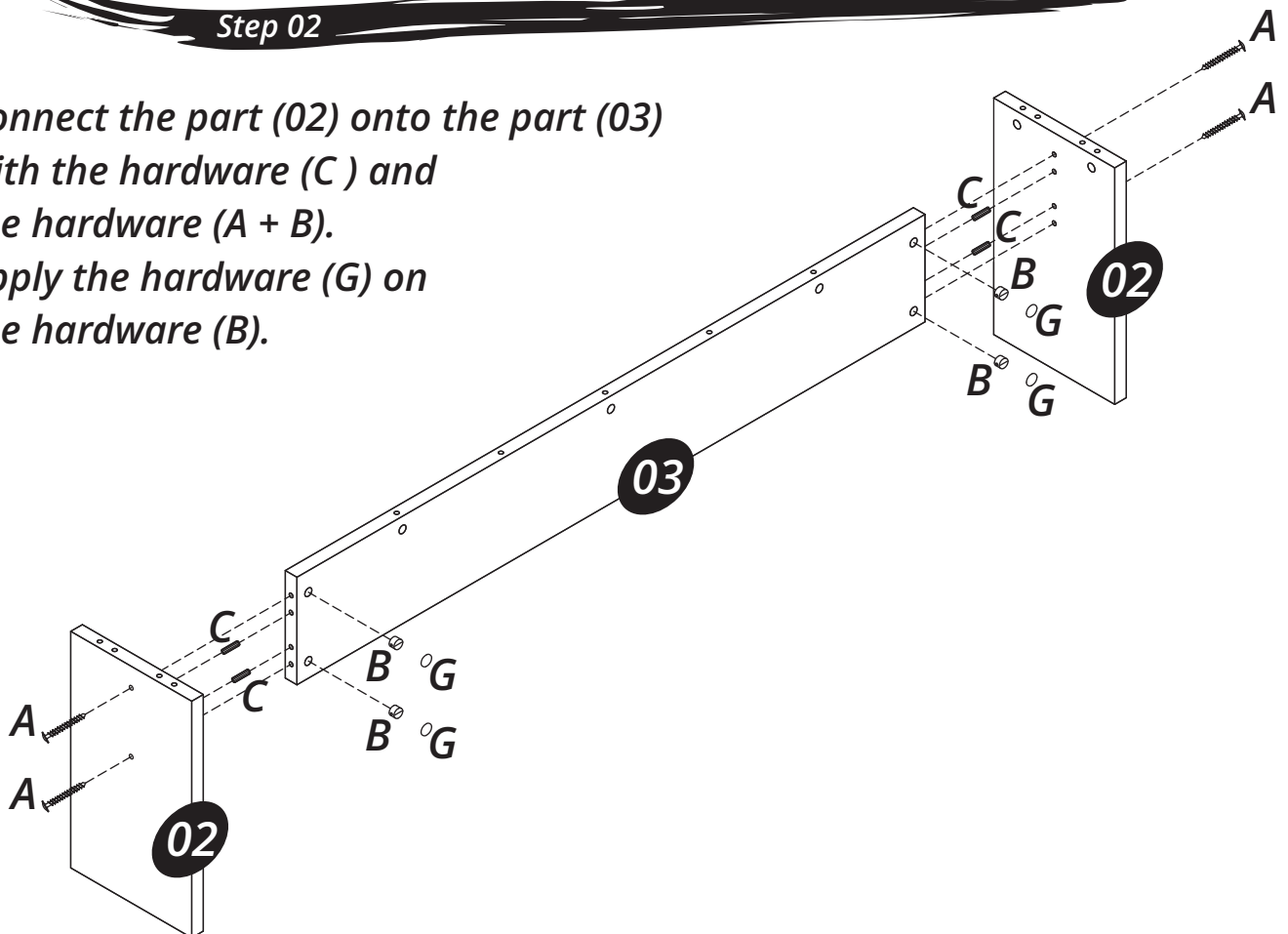
Step 01

Fix the hardware (F) into the Legs (02) and after connect the hardware (G) into the hardware (F).



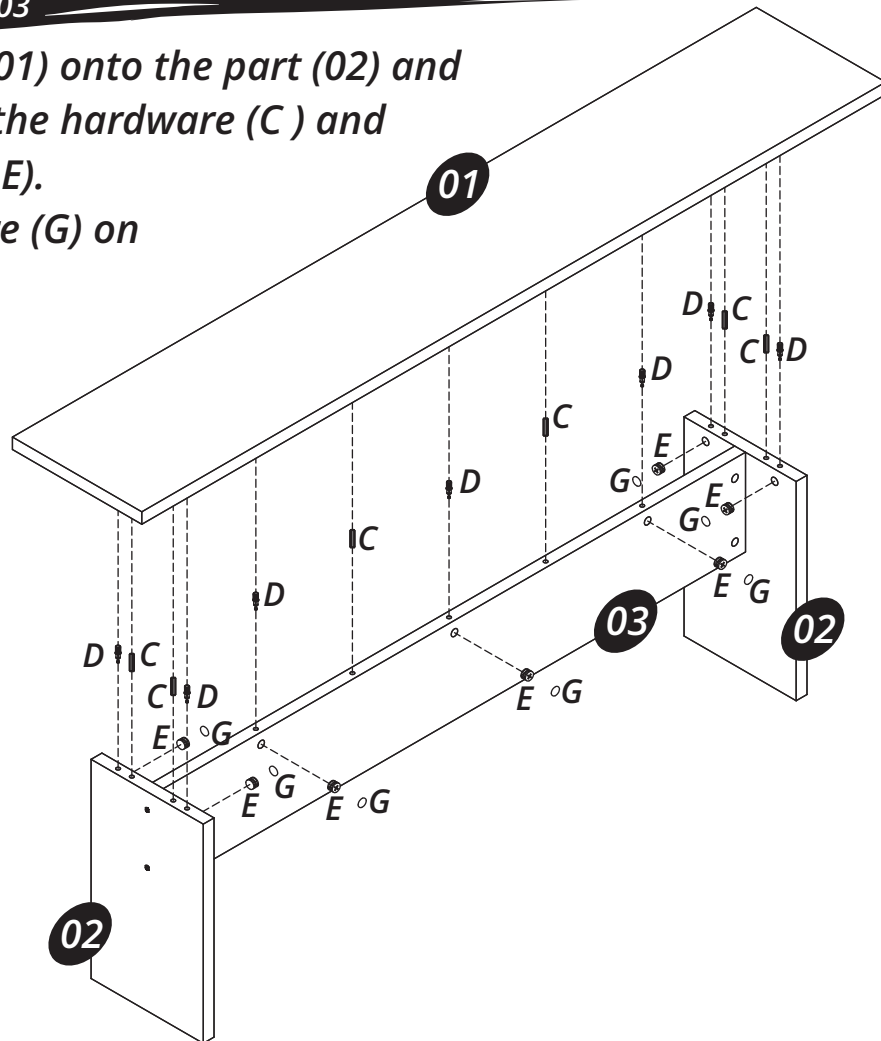
Step 02

Connect the part (02) onto the part (03) with the hardware (C) and the hardware (A + B).
Apply the hardware (G) on the hardware (B).



Step 03

Connect the part (01) onto the part (02) and the part (03) with the hardware (C) and the hardware (D + E).
Apply the hardware (G) on the hardware (E).



Step 04

Adjust the height of the Bench using the hardware (F).

