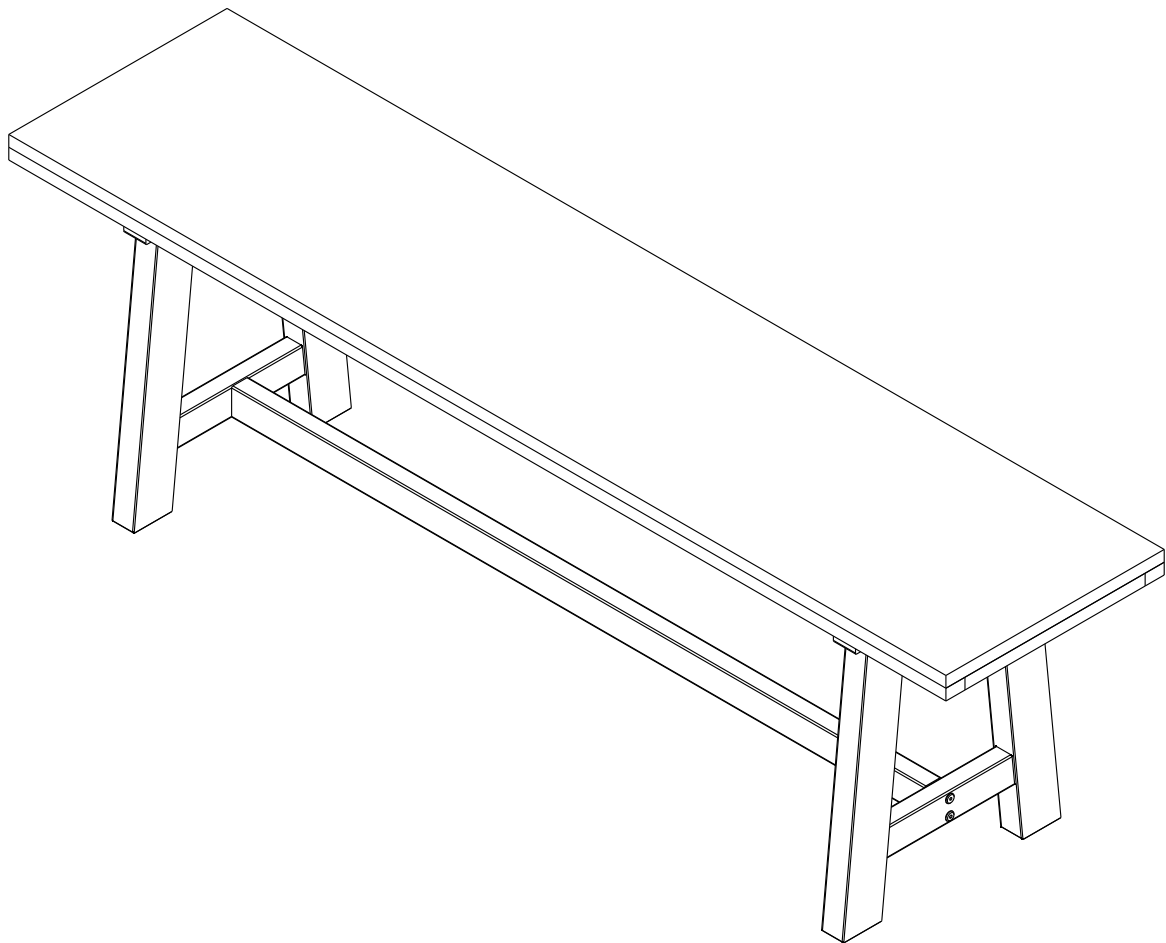


Item #: B60BRSW

Assembly Instruction



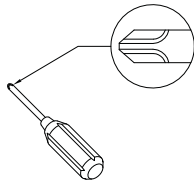
Walker
Edison®

Please visit our website for the most current instructions, assembly tips report damage, or request parts. www.walkeredison.com

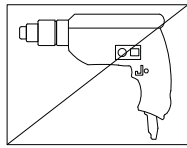
Revised 09/2019

General Assembly Guidelines

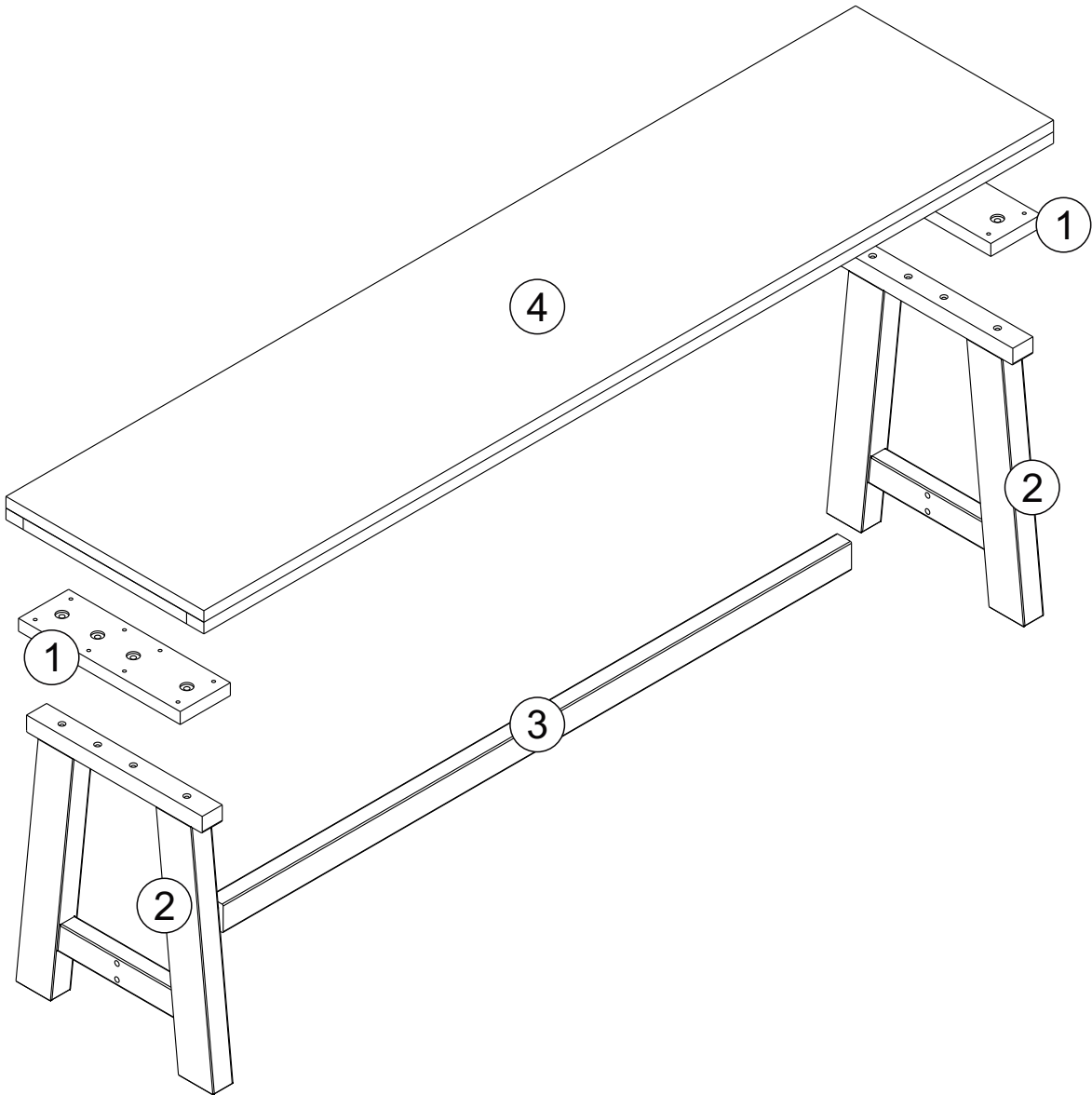
- I. Ensure that all parts and hardware are available before beginning assembly.
- II. Follow each step carefully to ensure the proper assembly of this product.
- III. Two people are recommended for ease in the assembly of this product.
- IV. The three main types of hardware used to assemble this product are : wood dowels , screws and bolts.
- V. A Phillips head screwdriver is required for the assembly of this product .



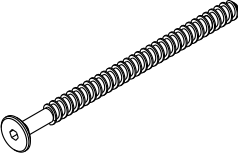
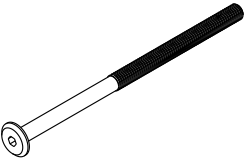
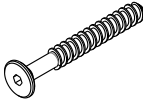
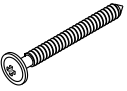

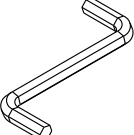
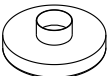
- VI. Power tools should not be used to assemble this product .

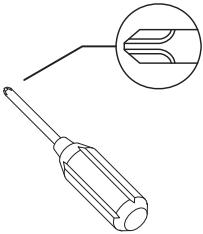


Parts List



Hardware List

A		Ø7x70mm	Bolt	02 pcs
B		Ø1/4"x70mm	Bolt	02 pcs
C		Ø7x40mm	Bolt	08 pcs
D		Ø4x30mm	Screw	16 pcs
E		Ø1/4"	Barrel nut	02 pcs
F		M4	Hex key	01 pcs
G			Plastic foot	04 pcs

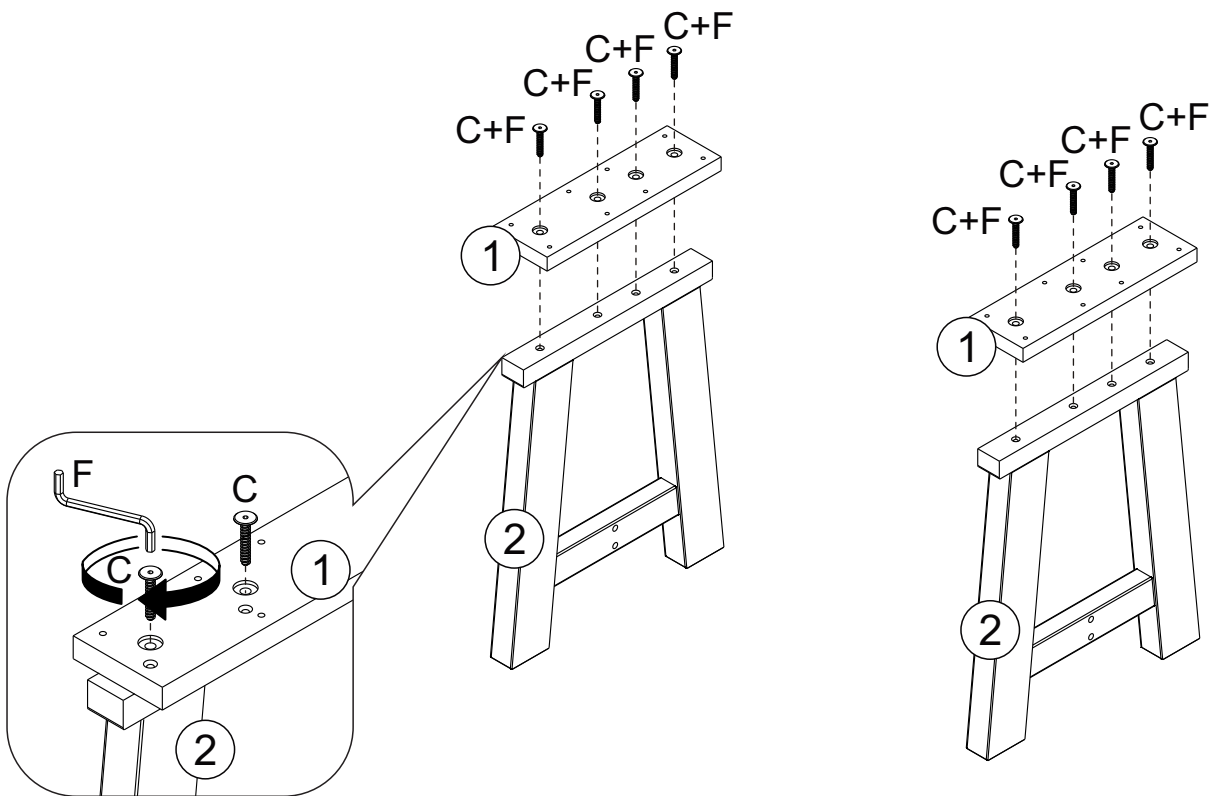


Philips head screwdriver required for assembly
(not included)

*The hardware quantities listed above are required for proper assembly.
Some extra hardware may also have been included.*

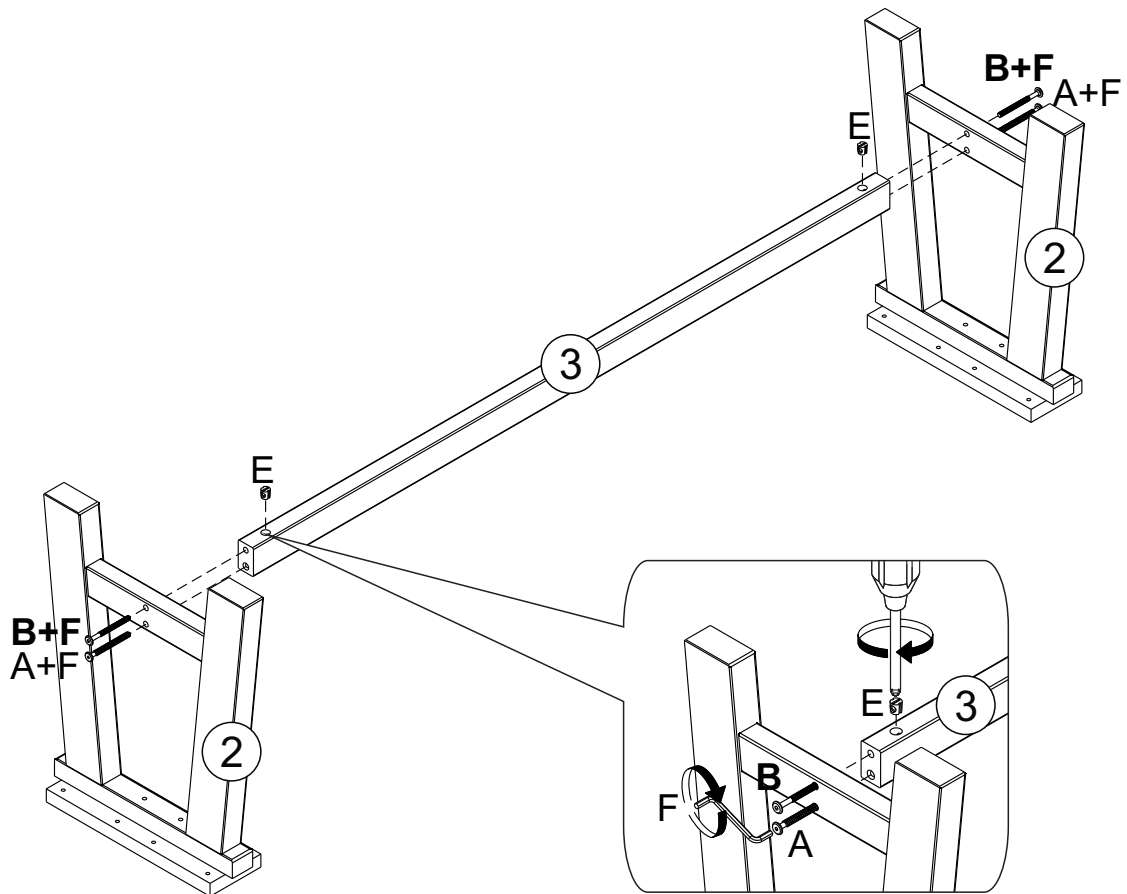
Step 1

Use Screw (C) to attach Part 1 and Part 2.



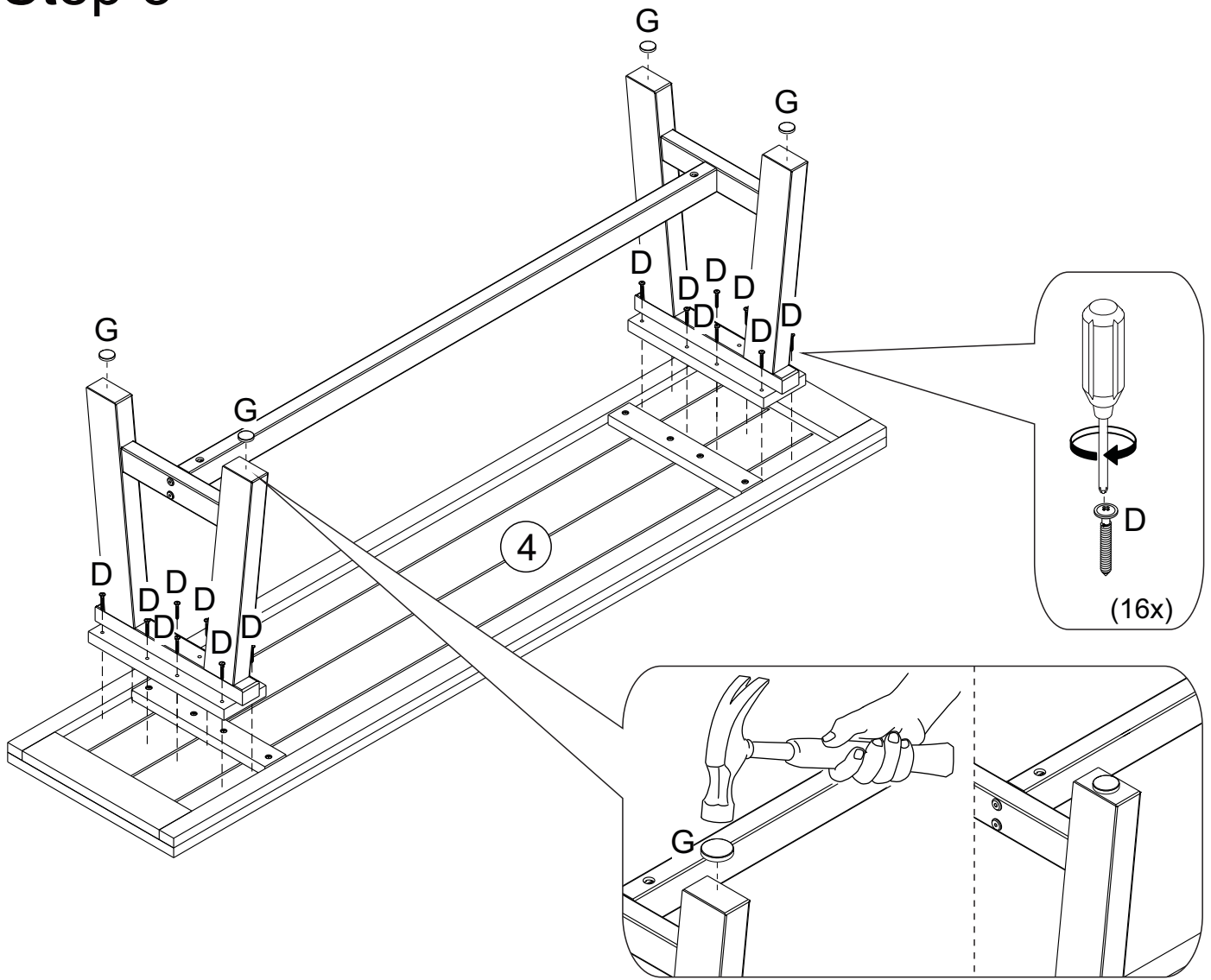
Step 2

Use Screws (A) and (B) to attach Part 3 to the legs. Use Barrel Nut (E) to secure the Parts.

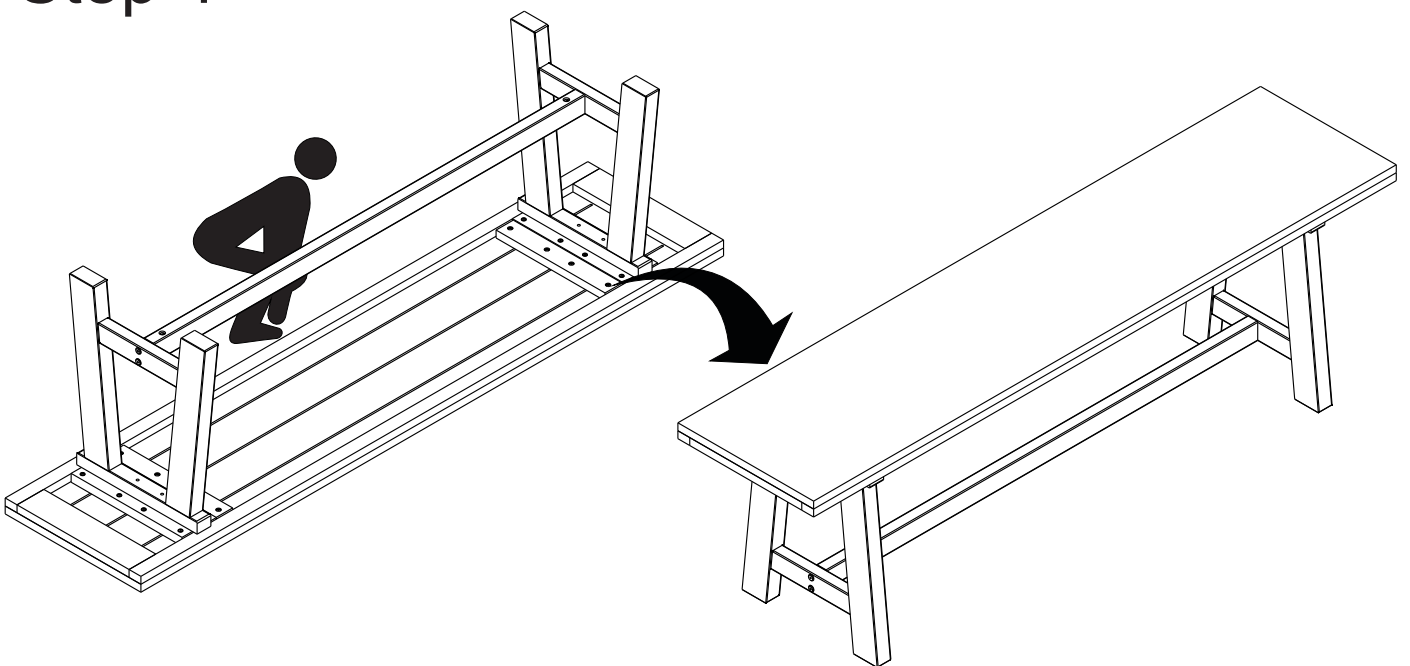


Step 3

Use Screw (D) to attach the Legs to Part 4 top. Attach Plastic Foot (G) to the legs.



Step 4



Final Assembly