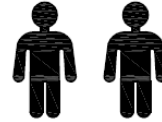


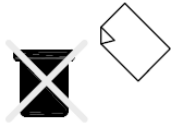
HINTS & TIPS



Assembly Instruction

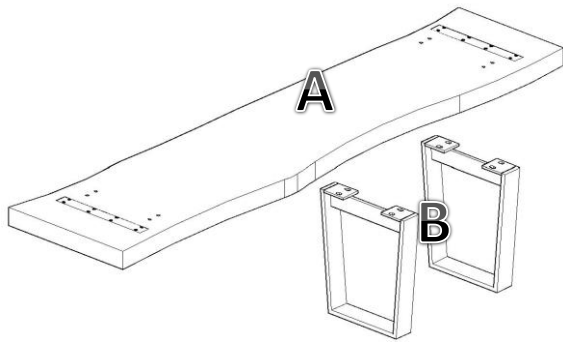





This assembly requires two people



Please retain this assembly instruction for future use.

COAST TO COAST IMPORTS, LLC™



Code	Description	Qty
1	 Flat Washer	08
2	 Bolt	08
3	 Wrench	1

Step 1- Lay the Bench top panel (A) upside down on to a clean smooth surface

Step 2- Take legs assembly (B) and match it with its respective side.

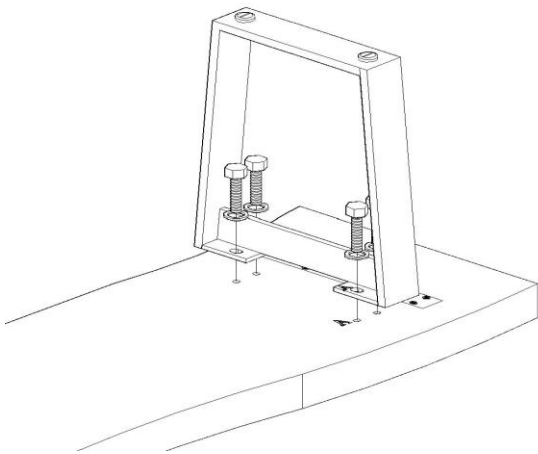
Insert Bolt with washer & Tighten with provided wrench.

The slots on the Top and legs are numbered. Match the number on the leg assembly with that on the Top, while attaching.

Repeat **STEP 2** for the other side leg assembly.

Step 3- Flip the Bench upright. Now bench is ready to use.

STEP-1



STEP-2

