

ASSEMBLY INSTRUCTIONS

CAUTION: PLEASE READ ALL INSTRUCTIONS BEFORE STARTING THE ASSEMBLY OF THIS PRODUCT. THESE PIECES ARE HEAVY. IN ORDER TO PREVENT PERSONAL INJURY AND ENSURE THAT THIS PRODUCT IS NOT DAMAGED DURING THE ASSEMBLY PROCESS, IT IS STRONGLY RECOMMENDED THAT YOU ENLIST THE ASSISTANCE OF ONE OR MORE PEOPLE.

ATTENTION: VEUILLEZ LIRE TOUTES LES INSTRUCTIONS AVANT DE COMMENCER L'ASSEMBLAGE DE CE PRODUIT. LES PIECES SONT LOURDES. POUR EVITER TOUTE BLESSURE ET POUR VOUS ASSURER QUE LE PRODUIT N'EST PAS ENDOMMAGE PENDANT L'ASSEMBLAGE, NOUS VOUS RECOMMANDONS DE FAIRE APPEL A UNE OU PLUSIEURS AUTRES PERSONNES.

CUIDADO: FAVOR DE LEER TODAS LAS INSTRUCCIONES ANTES DE ENSAMBLAR SU PRODUCTO. ESTAS PIEZAS SON PESADAS. PARA PREVENIR HERIDAS PERSONALES Y ASEGURAR QUE SU PRODUCTO NO SEA DAN ADO MIENTRAS ES ENSAMBLADO. SE RECOMIENDA LA ASISTENCIA DE UNA O MAUS PERSONAS.

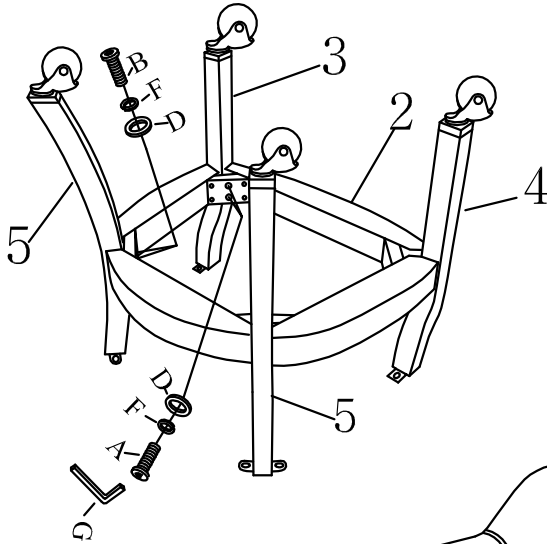
WARNING.....PROTECTIVE GLIDE IS PLACED UNDER LEGS OF FURNITURE TO RESIST SCRATCHES TO FLOOR SURFACE. SOME FLOOR SURFACES CAN BE EXTRA SENSITIVE TO MARKING. IF YOU ARE NOT SURE CONSULT WITH YOUR DEALER.

AVERTISSEMENT... LES PIEDS DES MEUBLES SONT MUNIS DE PATINS DESTINES A PROTÉGER LE PLANCHER. CERTAINS REVÊTEMENTS DE SOL PEUVENT ÊTRE TRÈS FRAGILES. EN CAS DE DOUTE, CONSULTER LE MARCHAND.

Important: Tighten firm but do not over tighten

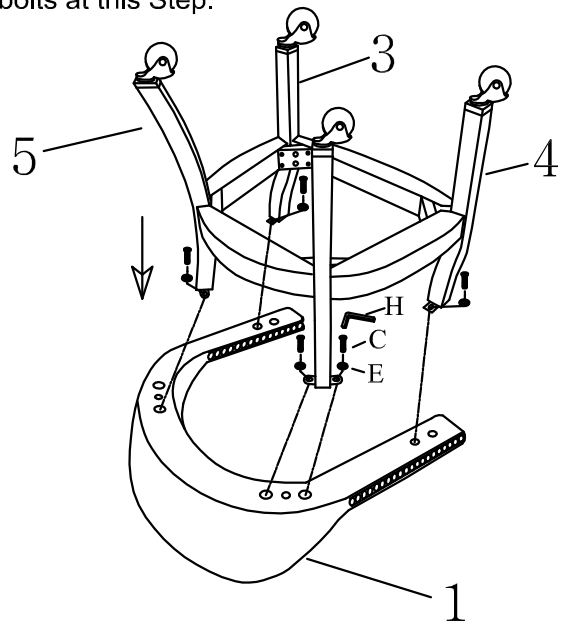
STEP 1

Attach #3/#4 Left and Right Front Legs and #5 two pieces Back Legs to the #2 Seat Frame as shown. Do not tighten before Step 2.



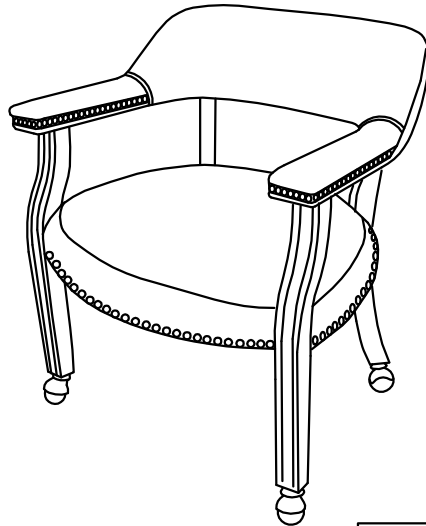
STEP 2

Attach chair base to the #1 Chair back and tighten all bolts at this Step.



STEP 3

Turn the chair up right. Assembly is complete.



PART LIST			
1	CHAIR BACK		1
2	CUSHION		1
3	LEFT FRONT LEG		1
4	RIGHT FRONT LEG		1
5	BACK LEG		2

HARDWARE LIST			
NO.		DESCRIPTION	Q'TY
A		BOLT(Ø 5/16" * 3-3/4")	4
B		BOLT(Ø 5/16" * 2")	4
C		BOLT(Ø 1/4" * 1-1/8")	6
D		FLAT WASHER(Ø 5/16" * 22mm)	8
E		FLAT WASHER(Ø 1/4" * 19mm)	6
F		LOCK WASHER(Ø 5/16")	8
G		ALLEN WRENCH(5mm)	1
H		ALLEN WRENCH(4mm)	1