

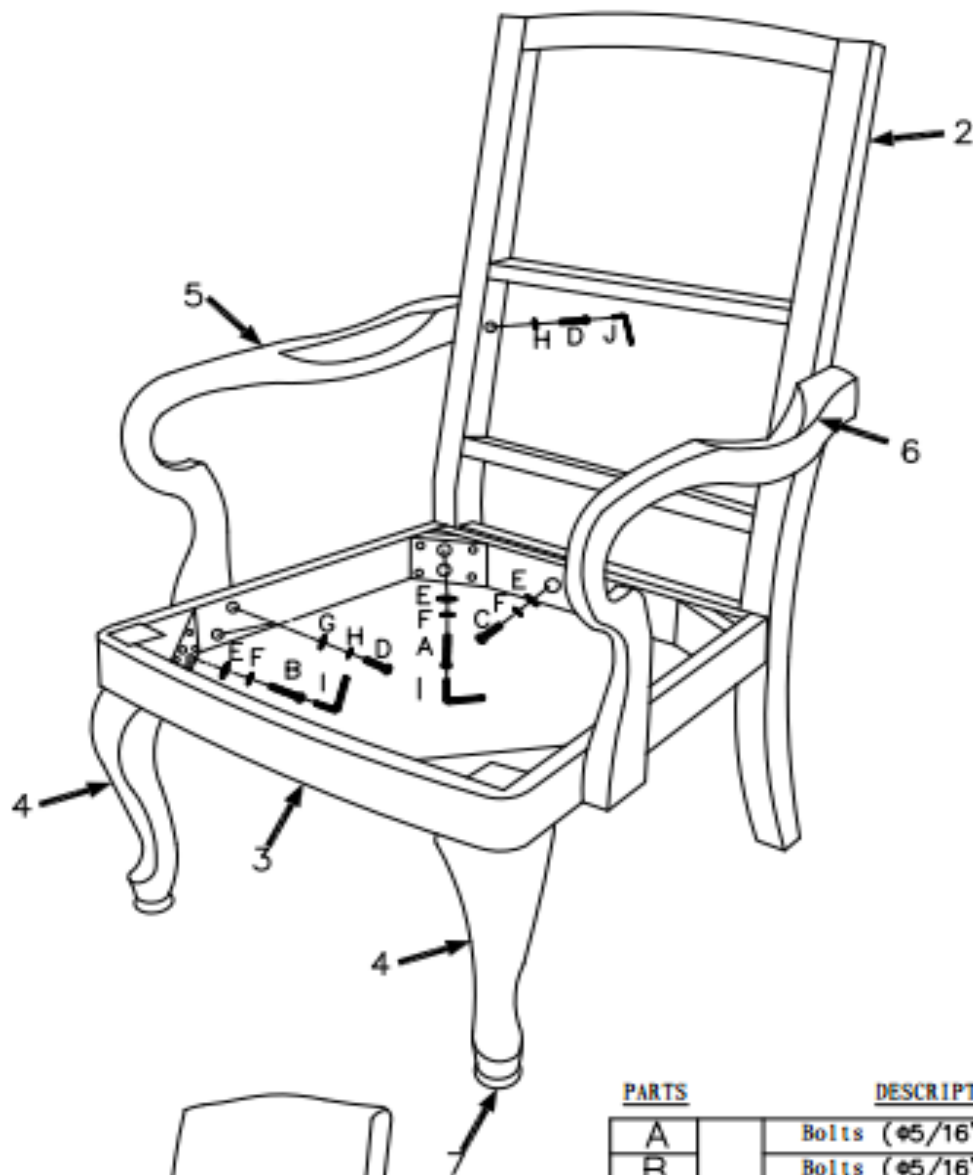
## Additional Tools Required: **Allen Wrench**

### ASSEMBLY INSTRUCTIONS

1. Open box and remove all parts from inside. Un-package all components.
2. Using the diagram included, identify all parts.
3. Sort and pair all bolts, locking washers, washers and screws. Pair all bolts with locking washers and washers using the diagram, the locking washer always goes on the bolt first.
4. Lay chair back assembly on a clean protected surface, face side up.
5. Unzip the zipper on the bottom of the seat. Attach the seat assembly to the back assembly by aligning holes on seat and back. The holes should align. **Using parts C, F and E insert bolt** with washers in the center hole, hand tighten.
6. Using **parts A,F and E insert bolts** into the left and right corner blocks on each side of the back of the seat assembly, hand tighten. (bolts should tighten easily, if needed adjust the angle of the seat to help with clearance.)
7. Attach front leg by **inserting parts B,F and E** through the front corner blocks of the seat assembly. Hand tighten only.
8. Identify left and right arms. Attach by aligning hole on the bottom of the seat **assembly by using parts D,H and G insert parts**, and tighten only. From the back side of the back assembly open Velcro closure by pulling gently upward for either corner, **attach arms to the back using parts D and H**. Set chair upright.
9. Tighten all bolts  $\frac{1}{4}$  turn beyond hand tightened using the tools provided. Align and reattach fabric to the back using the Velcro closure. Zip bottom closed. Your chair is now complete – Enjoy!!

\*\*\* Helpful hint \*\*\* Store Allen wrenches in back assembly secured by the Velcro closure to have for future use.

# CHAIR



PARTS		DESCRIPTION	Q'TY
A	1	Bolts ( $\phi 5/16'' \times 3-1/2'' L$ )	4
B		Bolts ( $\phi 5/16'' \times 1-3/4'' L$ )	4
C		Bolts ( $\phi 5/16'' \times 1-3/4'' L$ )	1
D		Bolts ( $\phi 1/4'' \times 1-3/4'' L$ )	6
E		Flat Washer ( $\phi 5/16'' \times 19mm$ )	9
F		Lock Washer ( $\phi 5/16''$ )	9
G		Flat Washer ( $\phi 1/4'' \times 16mm$ )	4
H		Lock Washer ( $\phi 1/4''$ )	6
I		Allen Wrench (5mm)	1
J		Allen Wrench (4mm)	1
2	2	Chair Back	1
3	3	Seat Frame	1
4	4	Front Leg	2
5	5	Left Arm	1
6	6	Right Arm	1
7	7	Floor Glide (Pre-assembled)	4