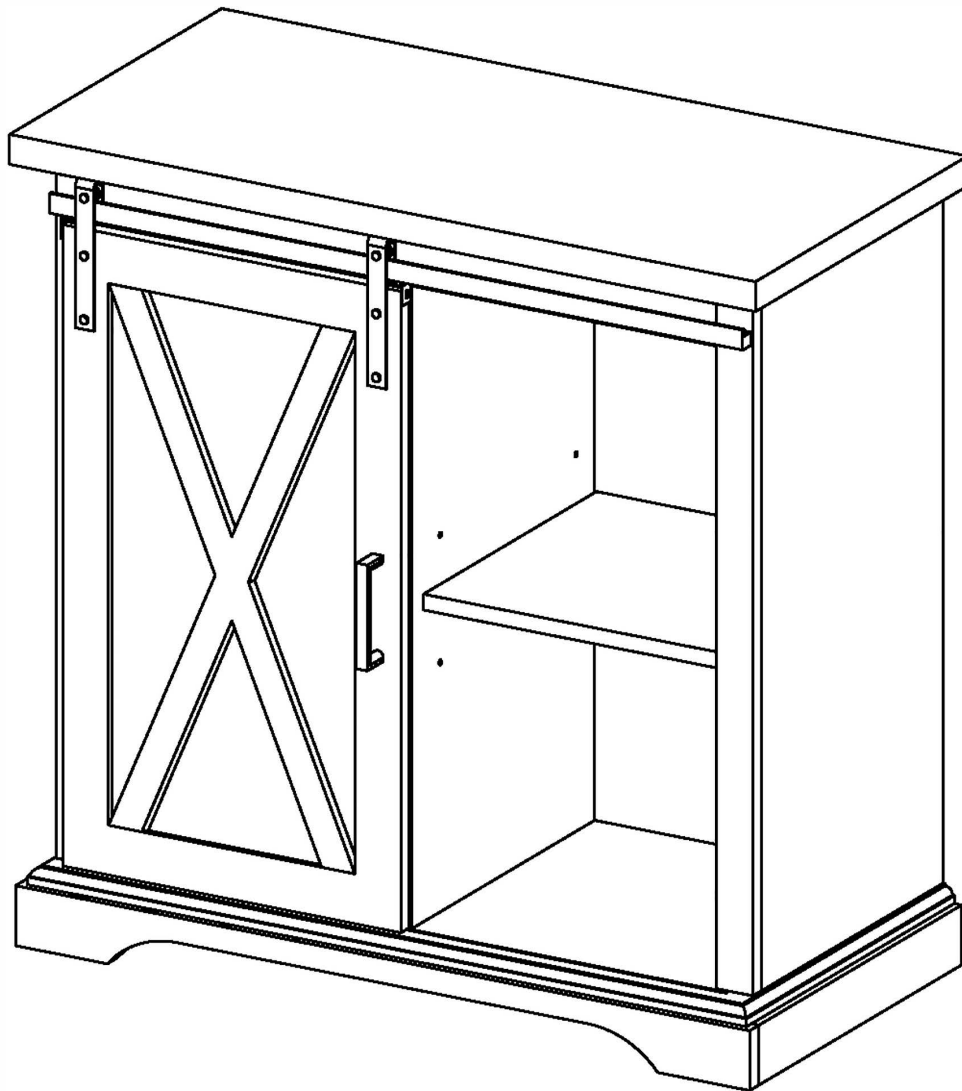


# Item # : AF32ALXD

## Assembly Instructions



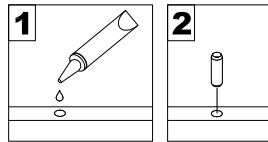
Walker Edison®

Please visit our website for the most current instructions, assembly tips, report damage, or request parts. [www.walkerredison.com](http://www.walkerredison.com)

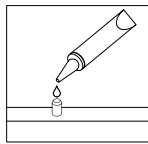
Revised 04/10/2018

# General Assembly Guidelines

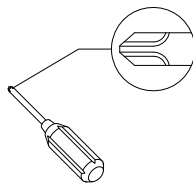
- I. Ensure that all parts and hardware are available before beginning assembly.
- II. Follow each step carefully to ensure the proper assembly of this product.
- III. Two people are recommended for ease in the assembly of this product.
- IV. The three main types of hardware used to assemble this product are : wood dowels , screws and bolts.
- V. The provided glue is to secure wood dowels in place . When first inserting dowels , locate the appropriate hole for the dowel , place a small amount of glue in the hole and insert the dowel . Wipe away excess glue immediately.



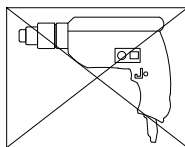
In future assembly steps when dowels are necessary to attach assembly parts together , place a small amount of glue on the end of the dowel before attaching parts together . Wipe away excess glue immediately.



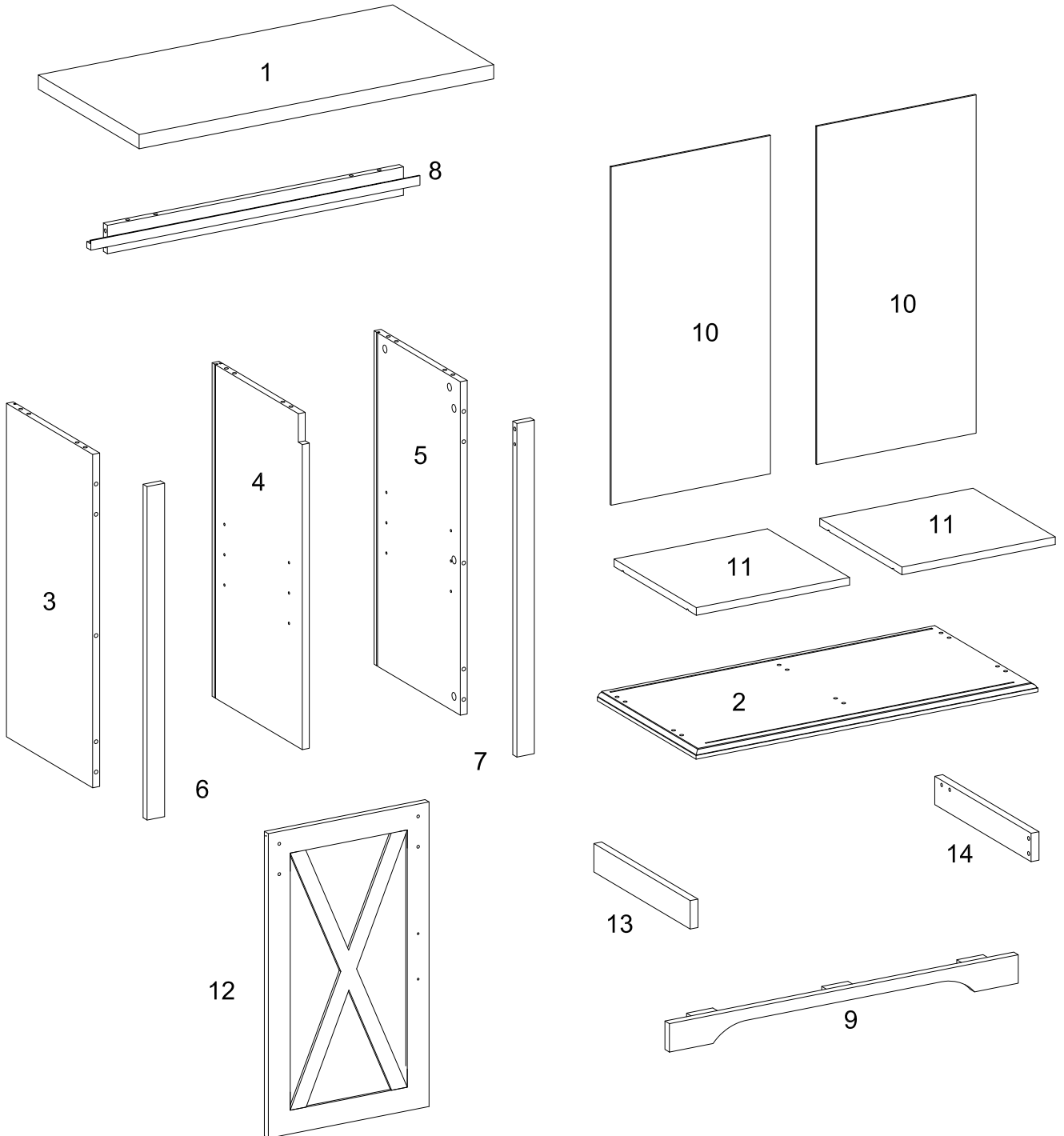
- VI. A Phillips head screwdriver is required for the assembly of this product .








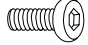






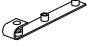
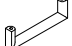
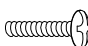
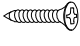
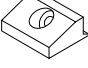


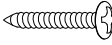
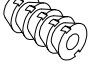

- VII. Power tools should not be used to assemble this product .

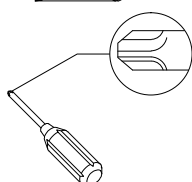


# Parts List



# Hardware List

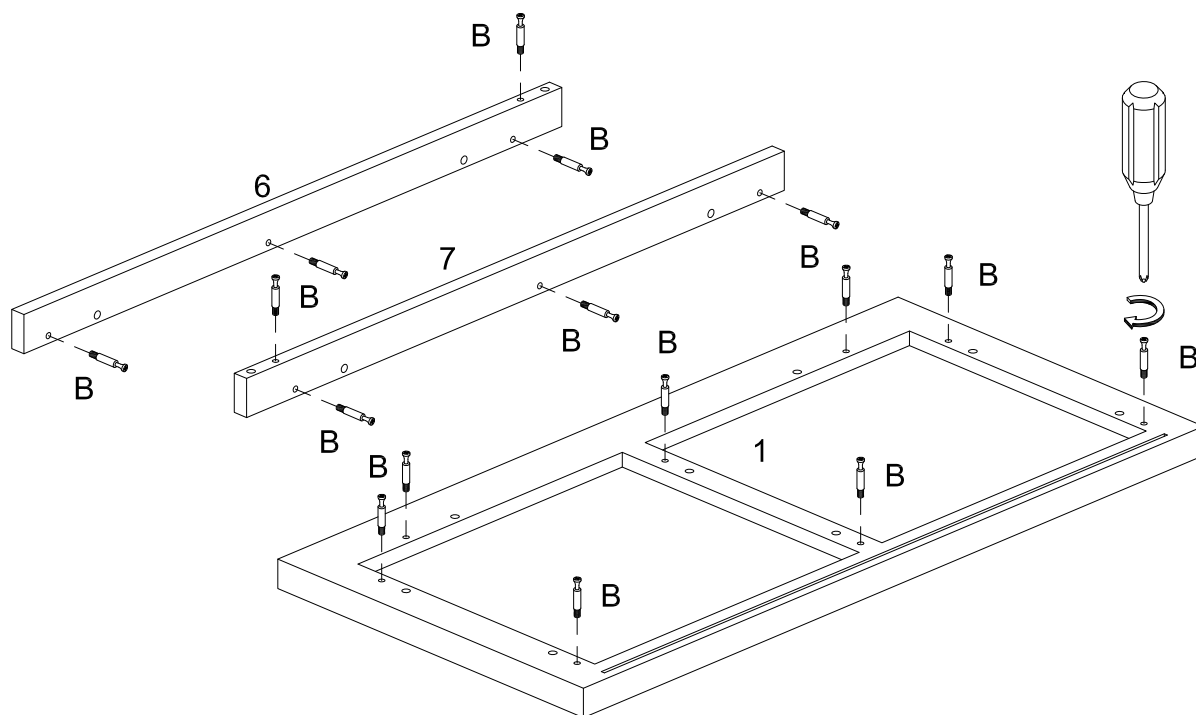
A		Ø8x30mm	Wooden dowel	20 pcs
B		Ø6x35mm	Cam bolt	16 pcs
C		Ø15x11mm	Cam lock	16 pcs
D		Ø30mm	Sticker	16 pcs
E			L shape bracket	2 pcs
F		Ø6x12mm	Bolt	14 pcs
G		Ø6x50mm	Shoulder Screw	6 pcs
H		M 4	Hex Key	1 pc
J			Plastic wedge	7 pcs
K		Ø8x5x16mm	Shelf support pin	8 pcs
L		Ø4x12mm	Screw	7 pcs
M			Door Guide	2 pcs
N			Pulley	2 pcs
P			Handle	1 pc
Q		Ø4x22mm	Handle Bolt	2 pcs
R		Ø3x17mm	Screw	8 pcs
S			Plastic wedge	8 pcs
T		Ø6x12mm	Bolt	4 pcs
U			Plastic strap	1 pc
V		Ø4x35mm	Screw	1 pc
W			Nut	1 pc
X			Glue tube	1 pc



Philips head screwdriver required for assembly  
(not included)

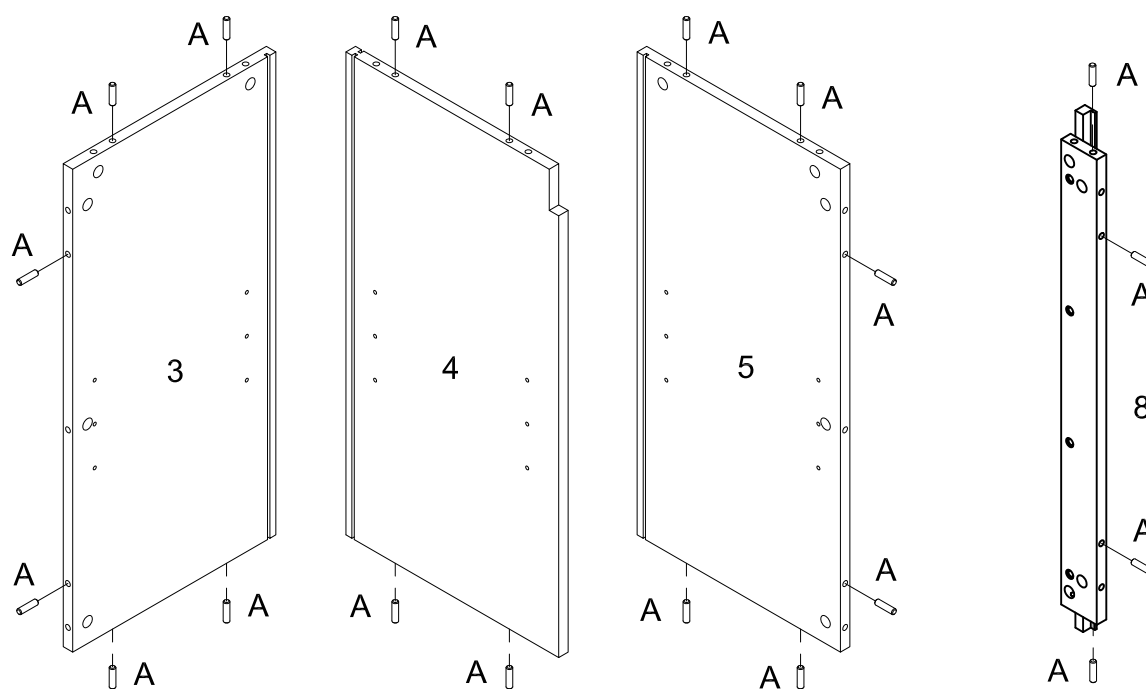
*The hardware quantities listed above are required for proper assembly.  
Some extra hardware may also have been included.*

# Step 1



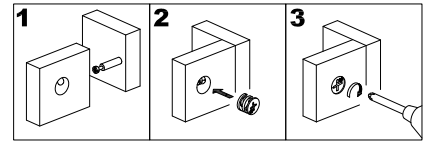
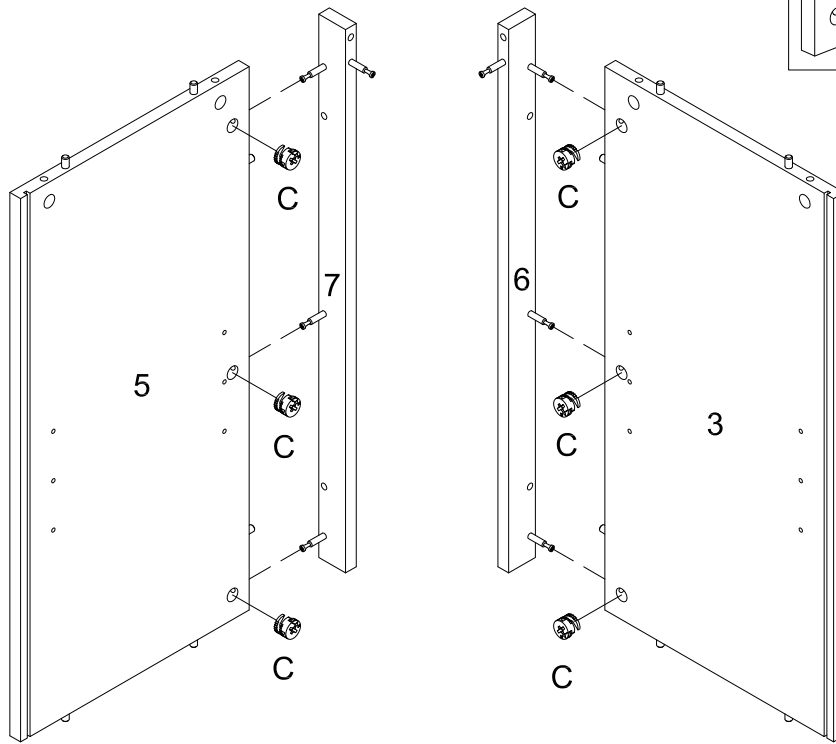
Attach cam bolt (B) to part (6,7,1) with screwdriver.

# Step 2



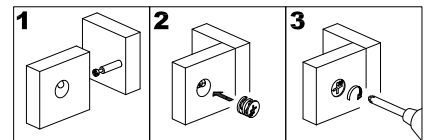
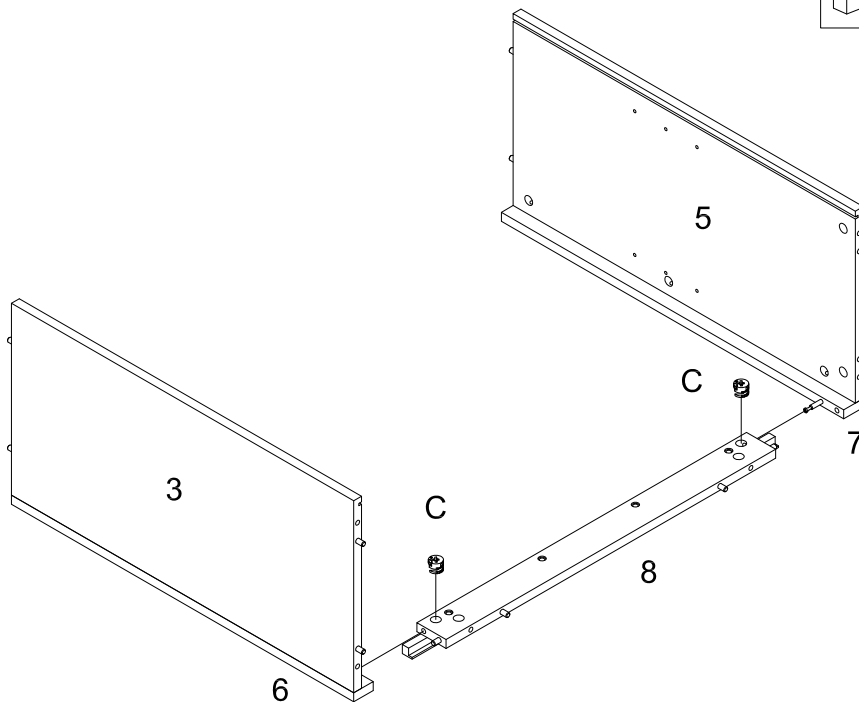
Insert wooden dowel (A) into part (3,4,5,8).

# Step 3



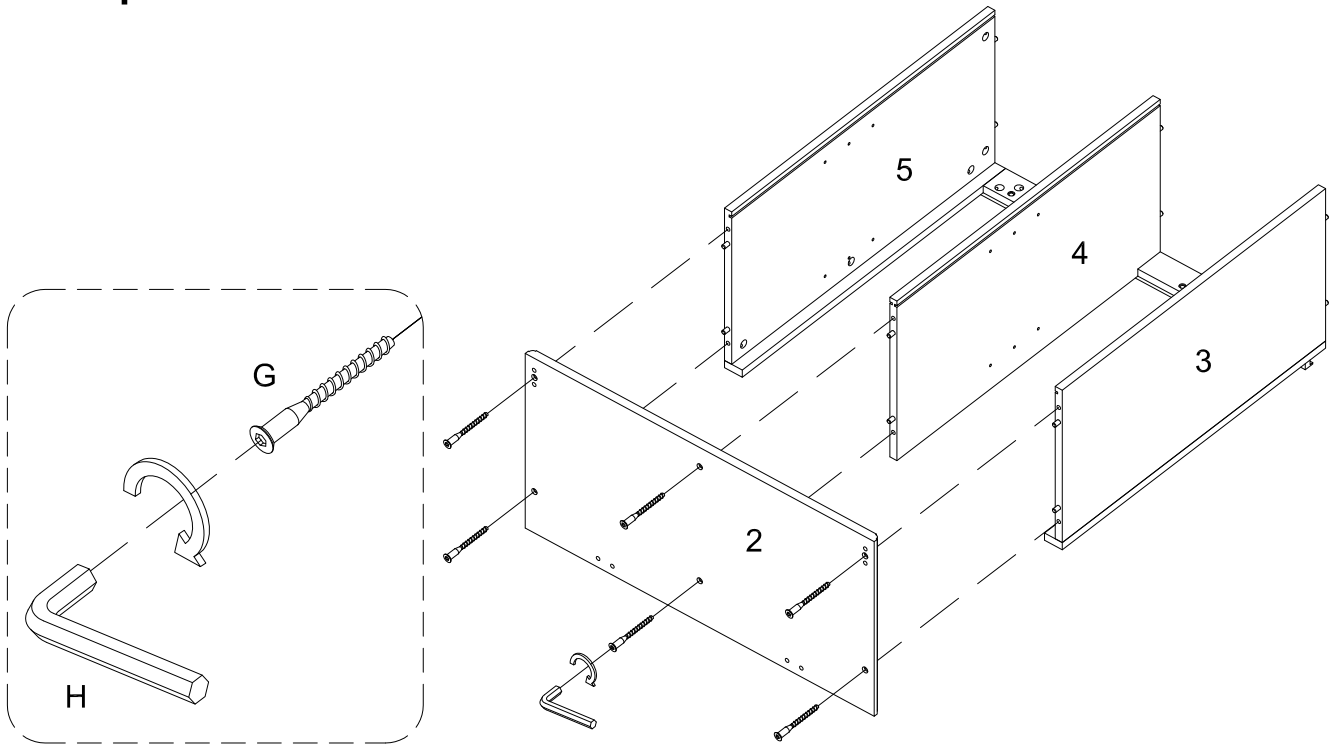
Attach part (5,3) to part (7,6), then insert and secure cam lock (C) to part (5,3) to lock it.

# Step 4



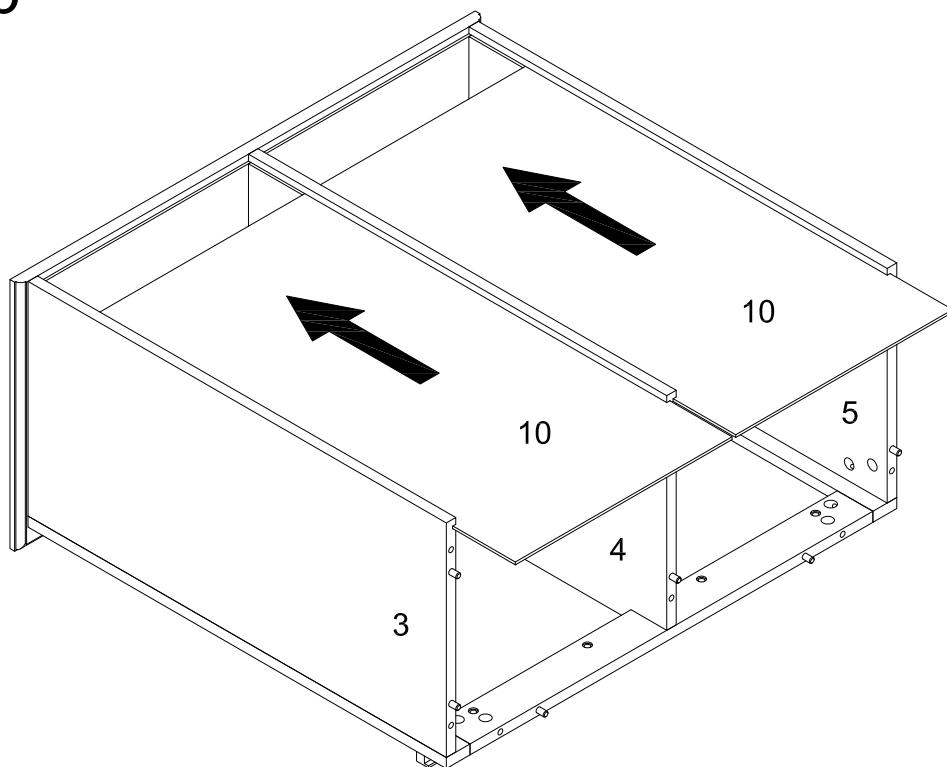
Attach part (3,6,5,7) to part (8), then insert and secure cam lock(C) to part (8) to lock

## Step 5



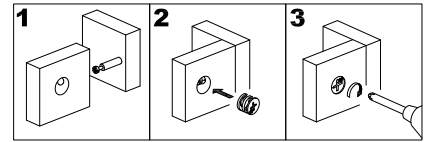
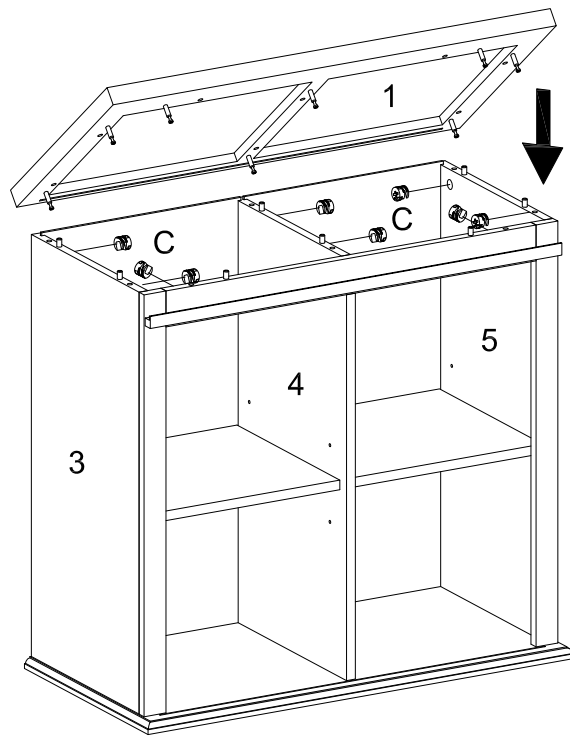
Attach part (2) to part (3,4,5) using screw(G) with hex key (H).  
Note : Groove for the back panel should be aligned

## Step 6



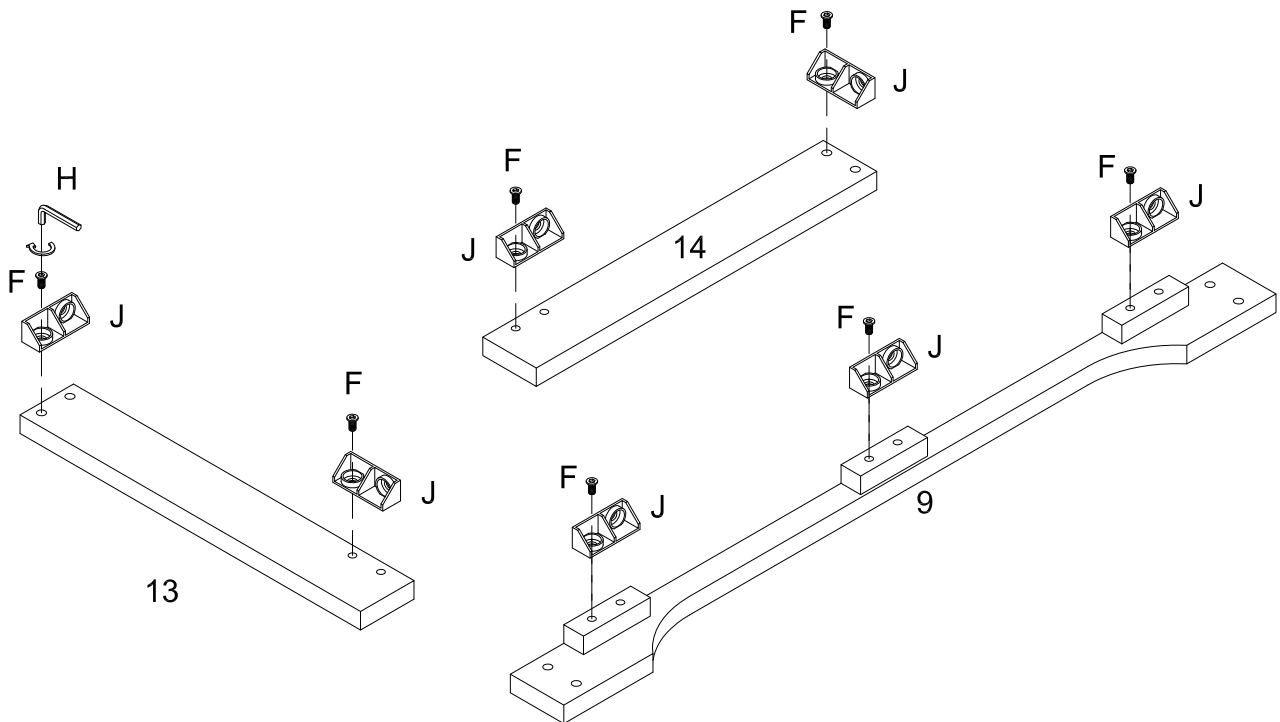
Slide back panel (10) into grooves as per diagram

# Step 7



Attach part (1) to part (3,4,5), then insert and secure cam lock (C) in part (3,4,5,8) to lock it.

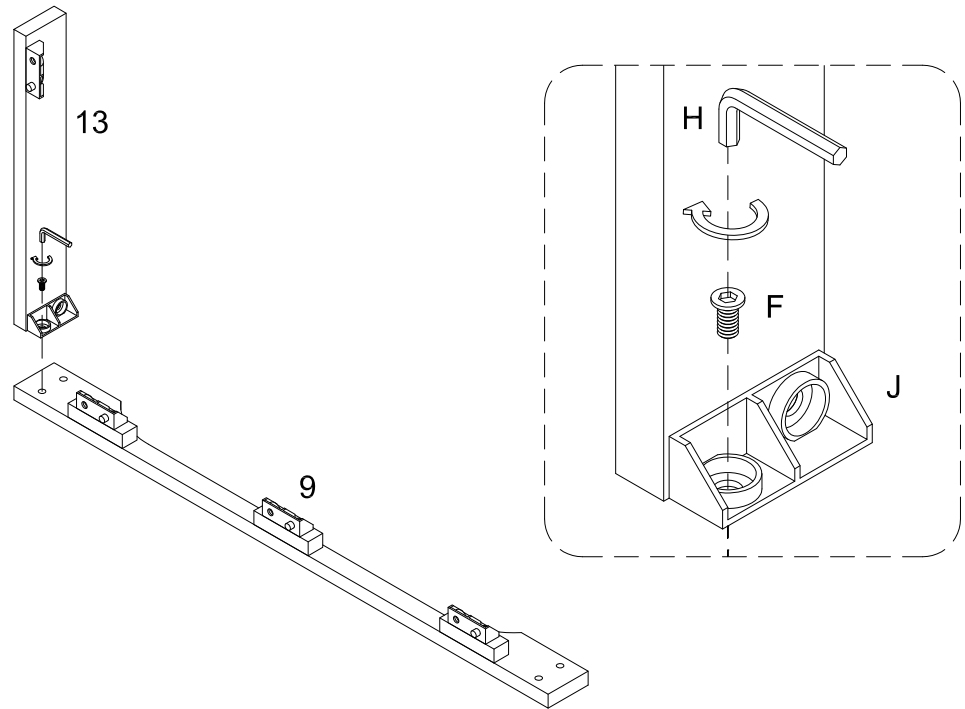
# Step 8



Attach plastic wedge (J) to part (13,14,9) using screw (F) with Hex key (H).

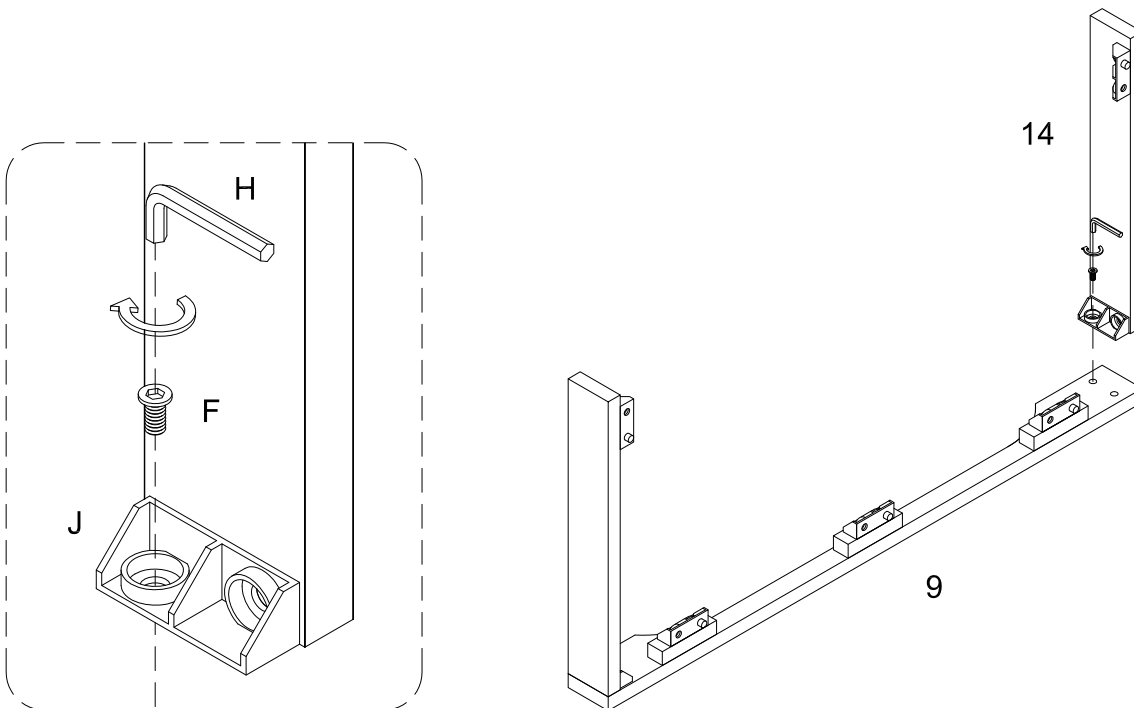


## Step 9



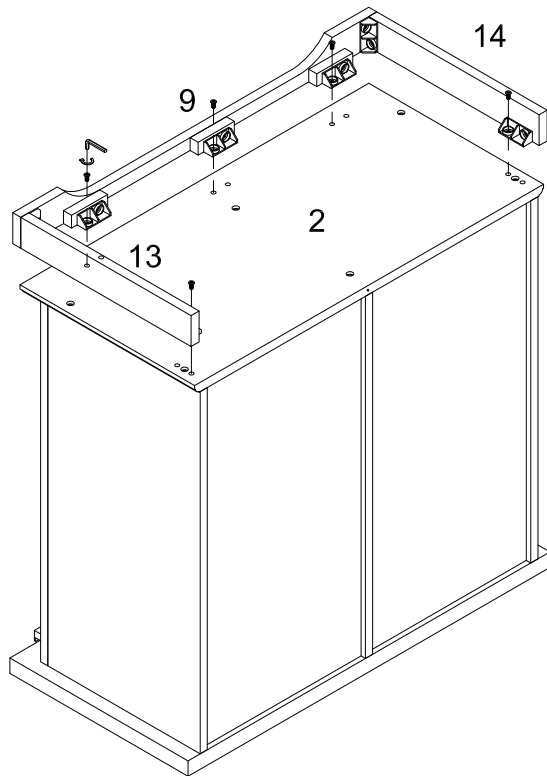
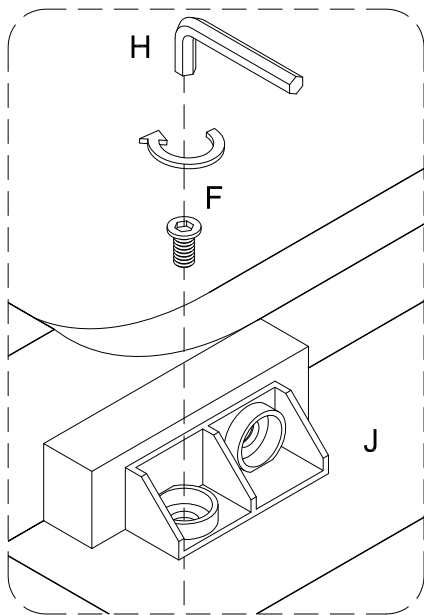
Attach plastic wedge (J) to part (9) using screw (F) with Hex key (H).

## Step 10



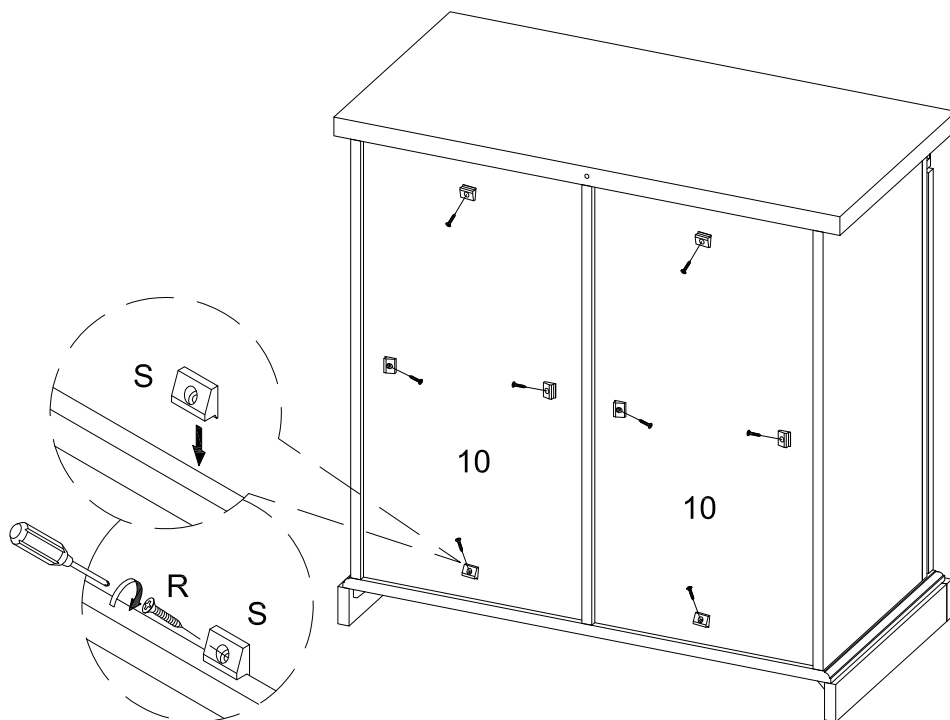
Attach plastic wedge (J) to part (9) using bolt (F) with Hex key (H).

# Step 11



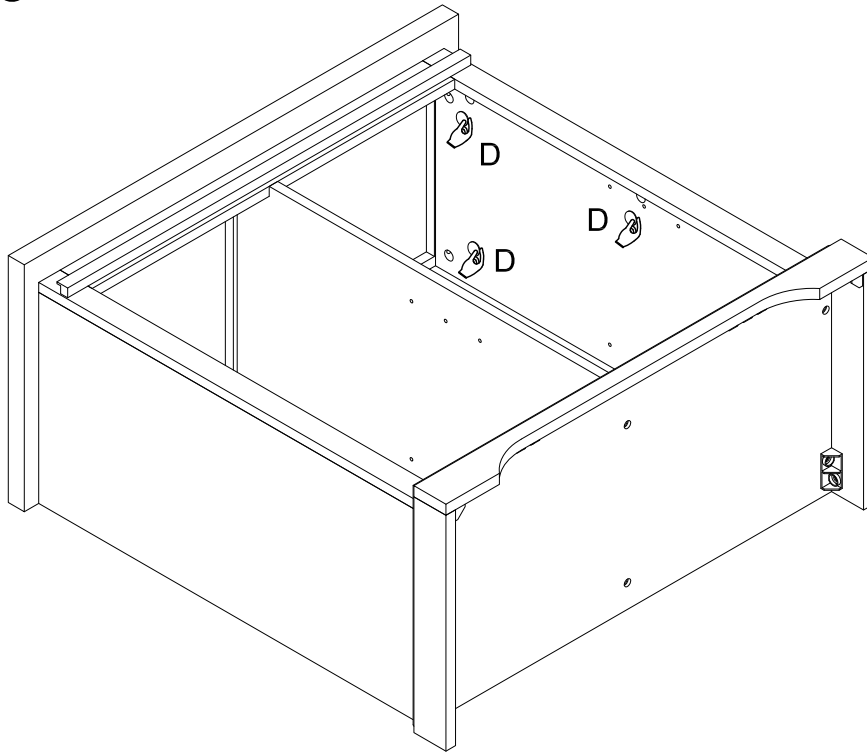
Attach part ( 9,14,13)to part (2) using plastic wedge( J)with hex key (H).

# Step 12



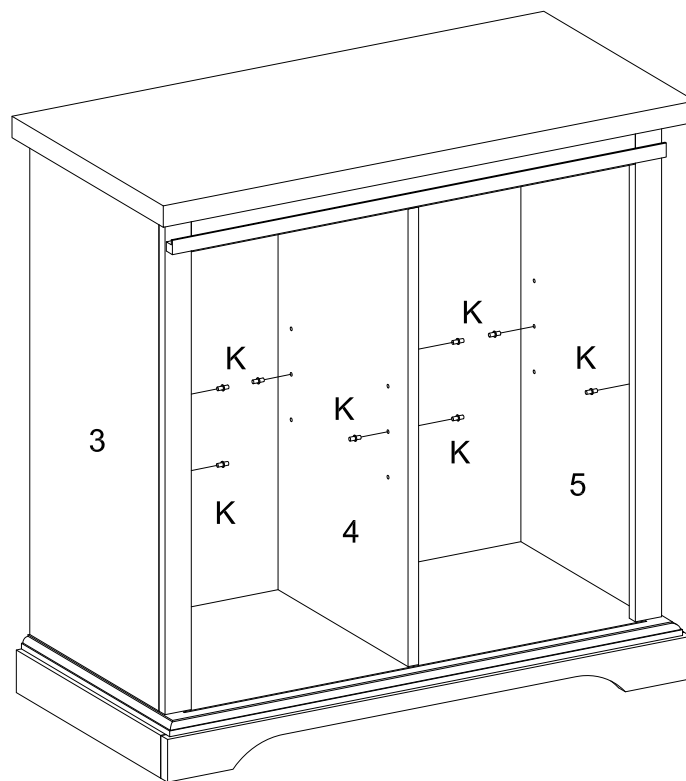
Attach plastic wedge (S) to part (10) using screw (R) with screwdriver.

## Step 13



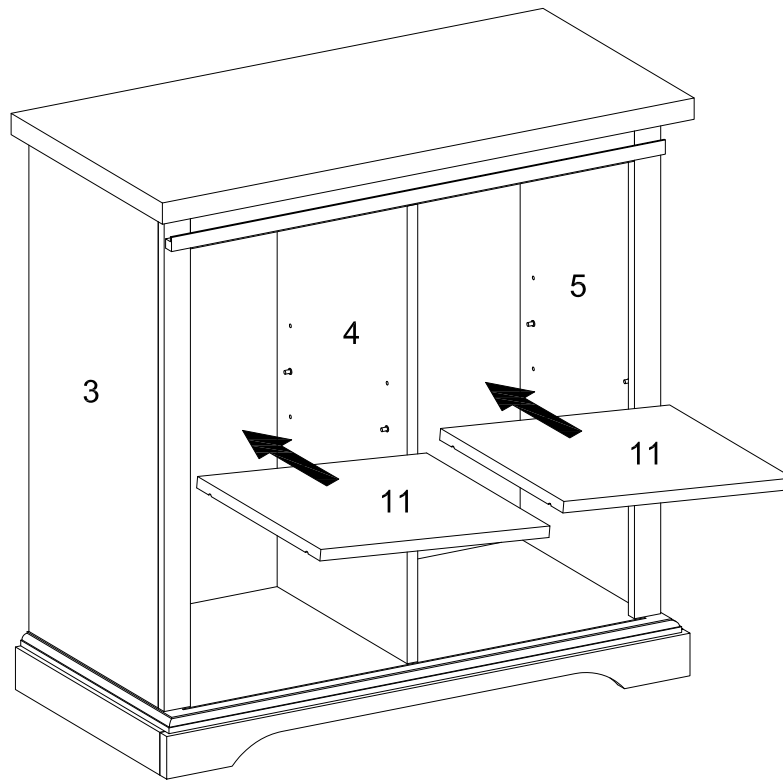
Place sticker (D) over holes as per diagram.

## Step 14



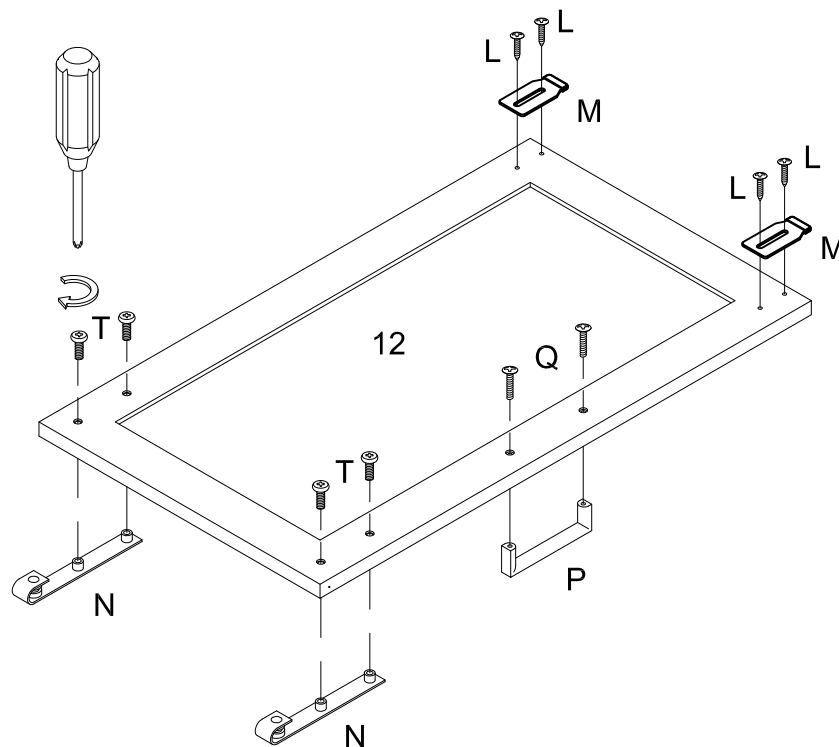
Insert shelf support pin (K) into part (3,4,5).

## Step 15



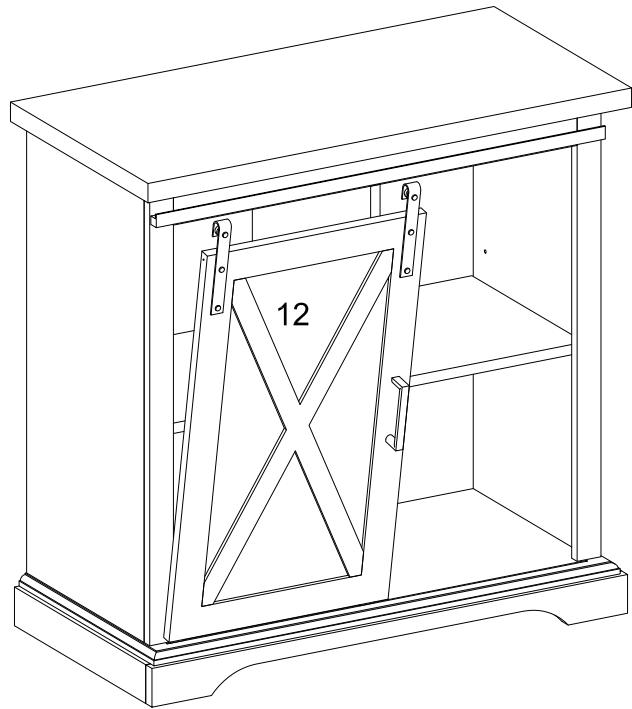
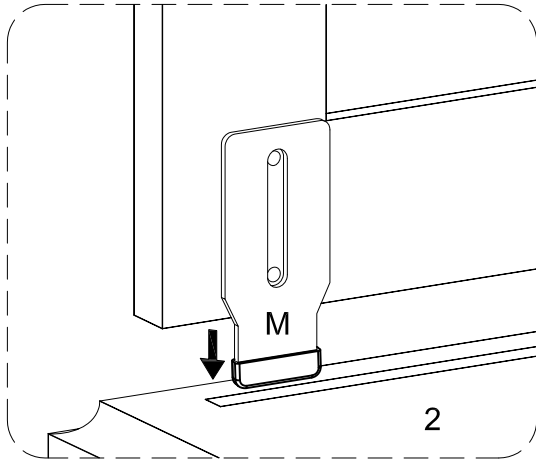
Place shelf (11) on top of support pin.

## Step 16



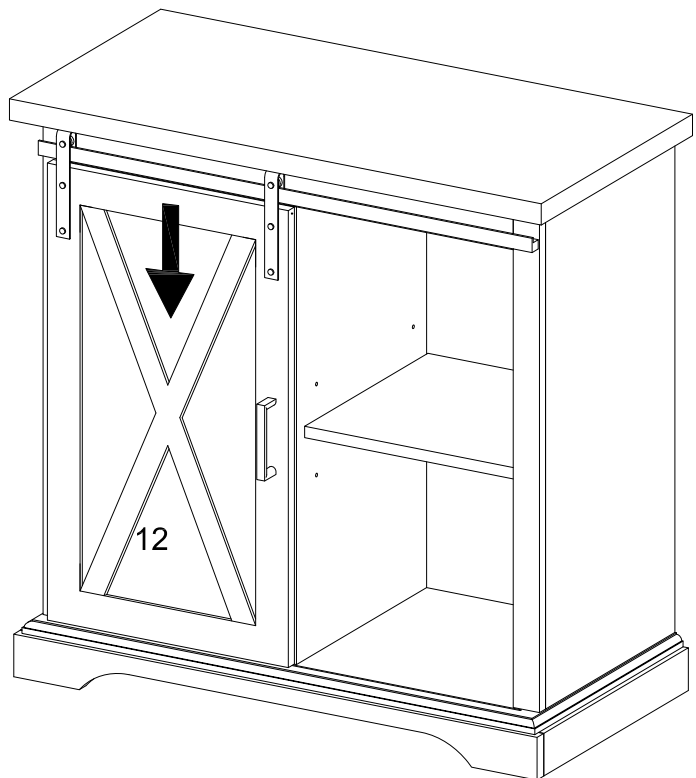
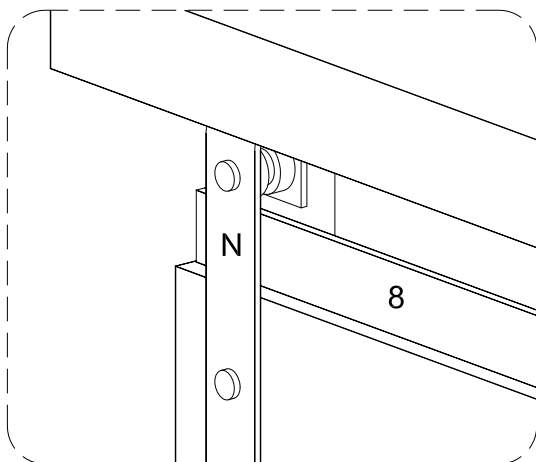
Attach pulley (N) using bolt (T), and door guide (M) using screw (L) to part (12) with screwdriver.

## Step 17



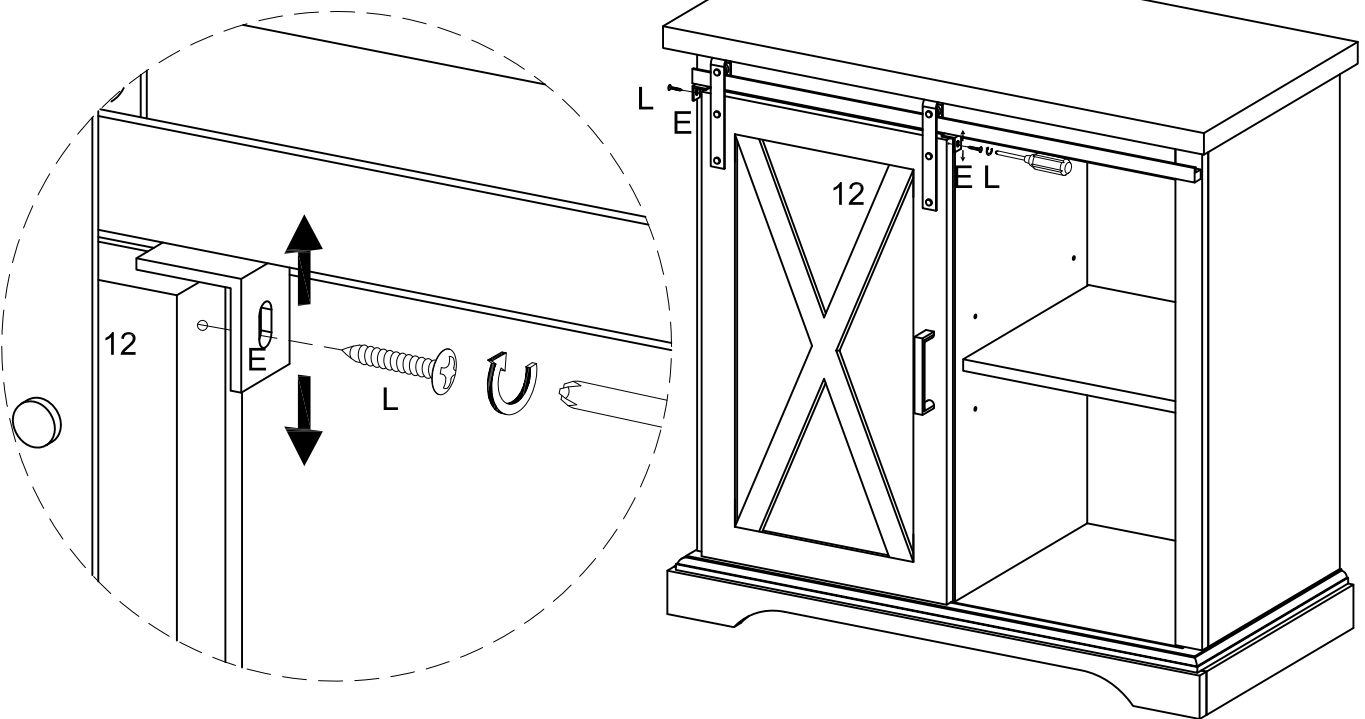
Place door guide (M) on door into groove.

## Step 18



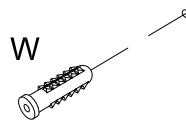
Hang pulley (N) to part (8), then press down to hold the door

## Step 19



Use Screwdriver to secure Screw(L) to the L Shape Bracket (E) attach to the Part (12).

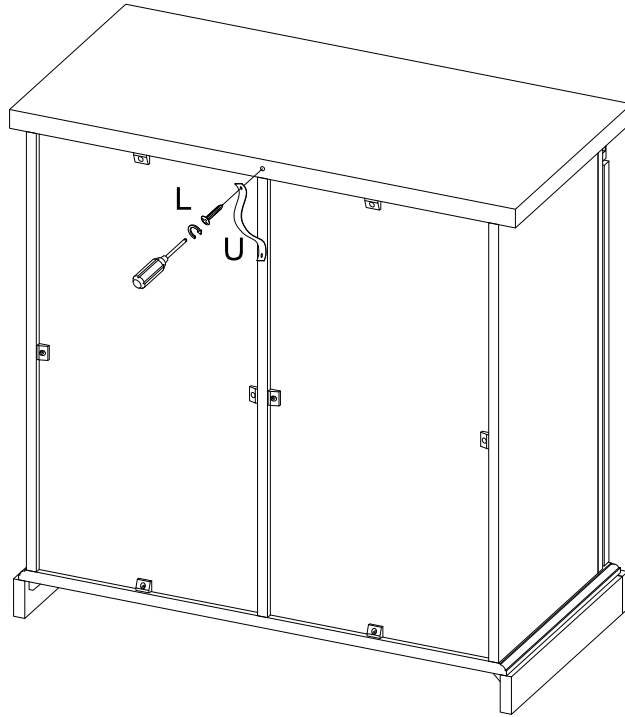
## Step 20



Wall

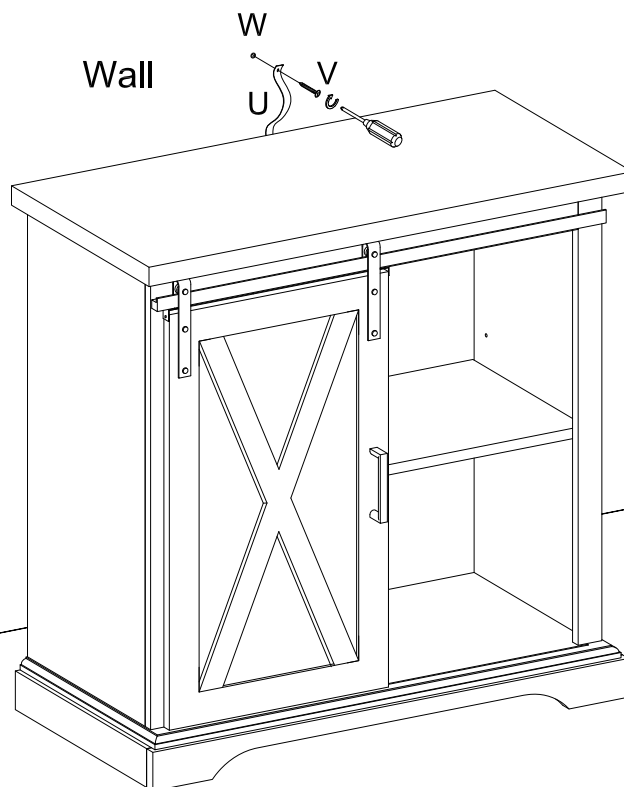
Insert Nut (W) into the wall

## Step 21



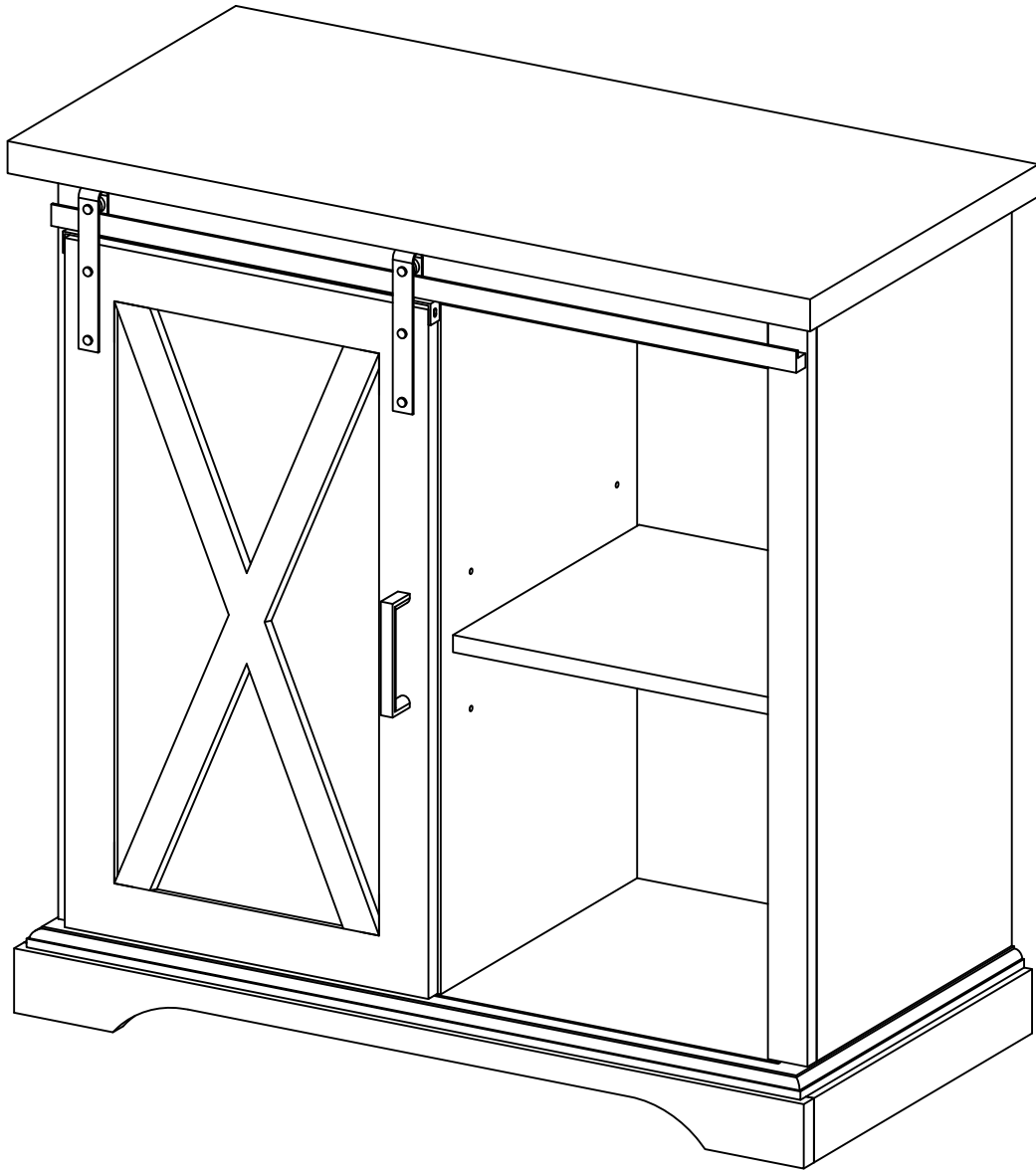
Using screwdriver to secure screw (L) with the plastic strap (U)

## Step 22



Secure product to wall with screw (V), through Plastic strap(U) by using screwdriver

# Step 23



Final Assembly