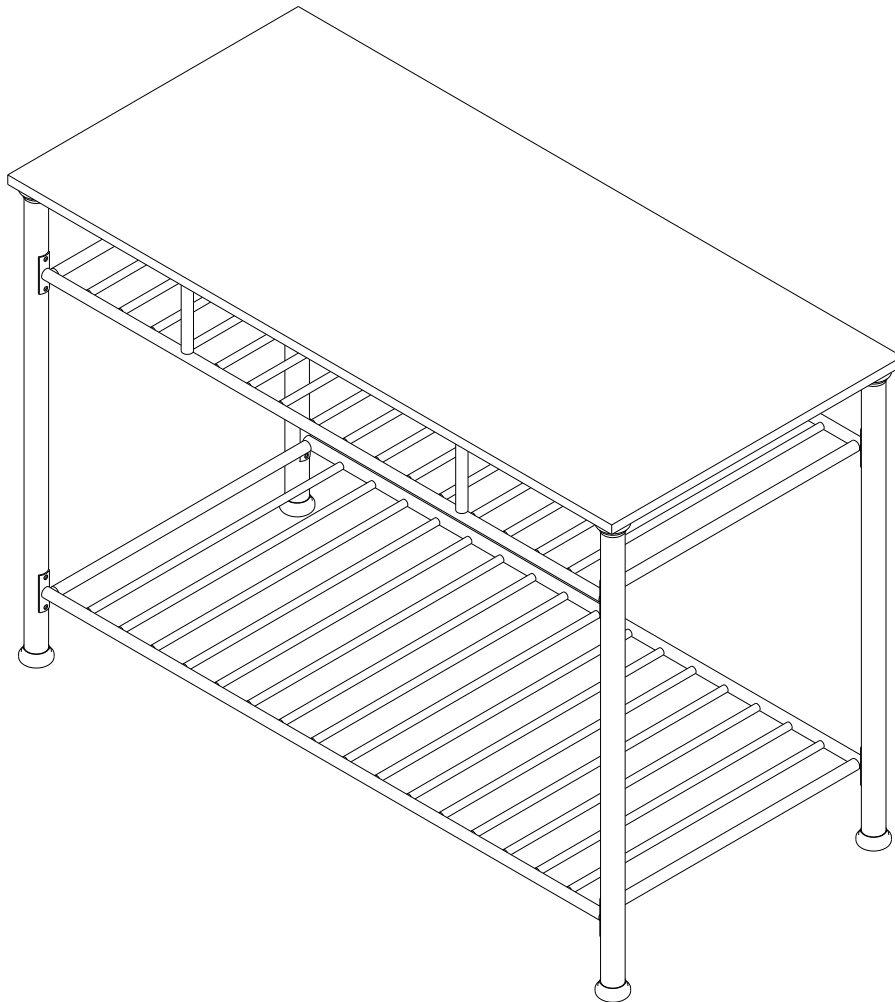




Product Instructions for:

SG-5601 Kitchen cart



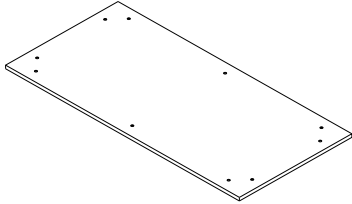
For assistance with assembly or questions contact:
Wayfair Customer Service, 877-WAYFAIR (877-929-3247) | www.wayfair.com

SG-5061 Kitchen Cart

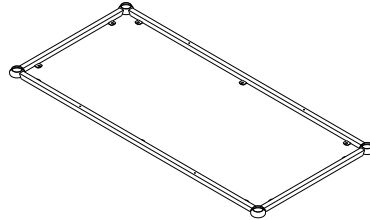
Before beginning assembly, separate all parts and carefully study the parts diagrams below. Review all parts and hardware before disposing of any packaging. You may receive extra hardware with your unit. Call Customer Service for missing hardware.

Parts list

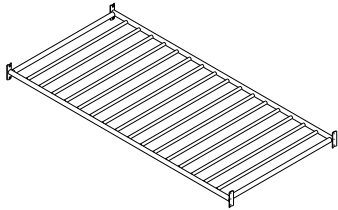
A: Top Panel (1)



B: Top metal frame (1)



C: Shelf (2)



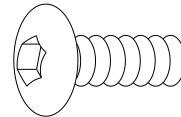
D: Metal Leg (4)



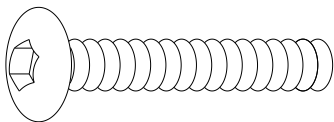
E: Cross Bar (4)



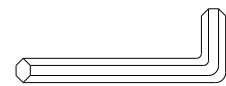
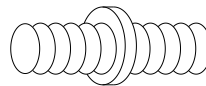
1: Short Bolt 1/4x1/2"L (26)



2: long Bolt 1/4x1-1/4"L (4)



3.Screw 1/4x1" (4) 4. Allen Wrench (1)



SG-5061 Kitchen Cart

Assembly Instructions

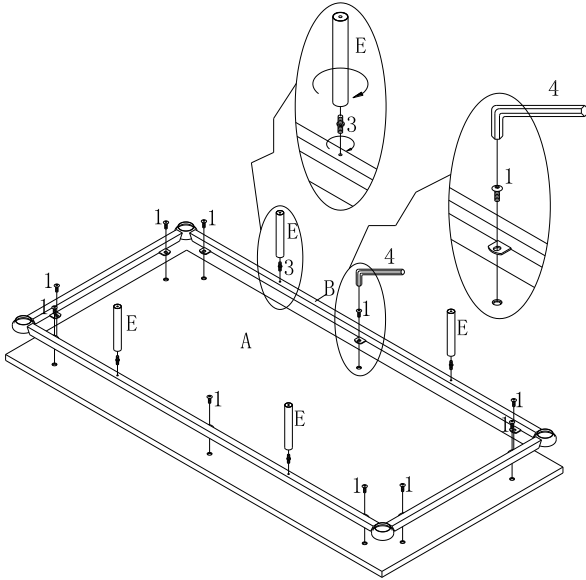


Figure 1

Step 1

First assembled the Top Panel (A) and Top Metal Frame(B) with Short Bolt (1) by Allen (4)

Assembled the Screw (3) into the Top Metal Frame(B)

Fixed the Cross Bar (E) into the Screw (3) ,Turn it to tighten

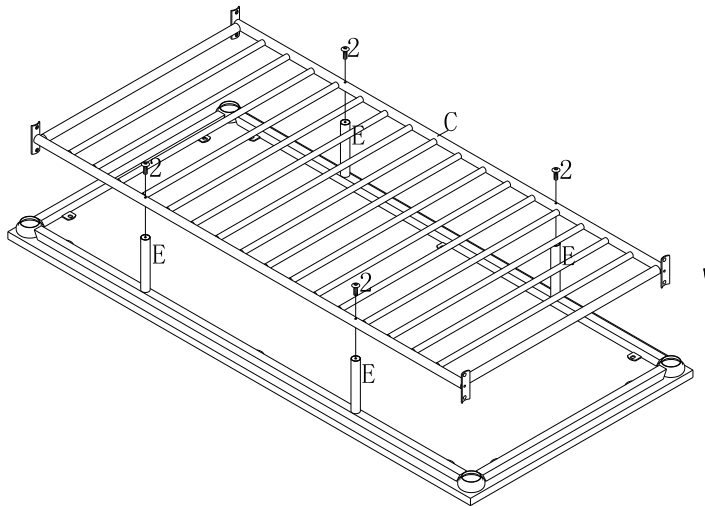


Figure 2

Step 2

Insert the Shelf (C) on the Cross Bar (E)

Fix the Shelf (C) and Cross Bar (E) with Long Bolt (2)

Tighten Long Bolts (2) using Allen Wrench (4).

SG-5061 Kitchen Cart

Assembly Instructions

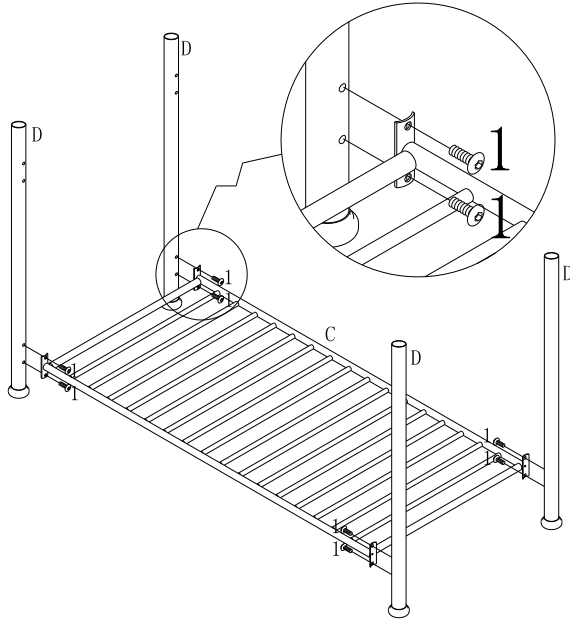


Figure 3

Step 3

Assemble the Leg (D) and The second shelf (C) with Short Bolt (1) and Tighten it by Allen (4)

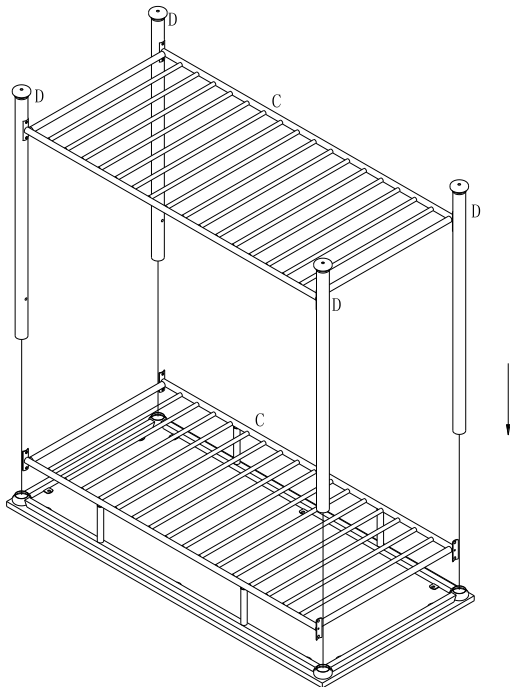


Figure 4

Step 4

Insert the Figure 2 and Figure 3

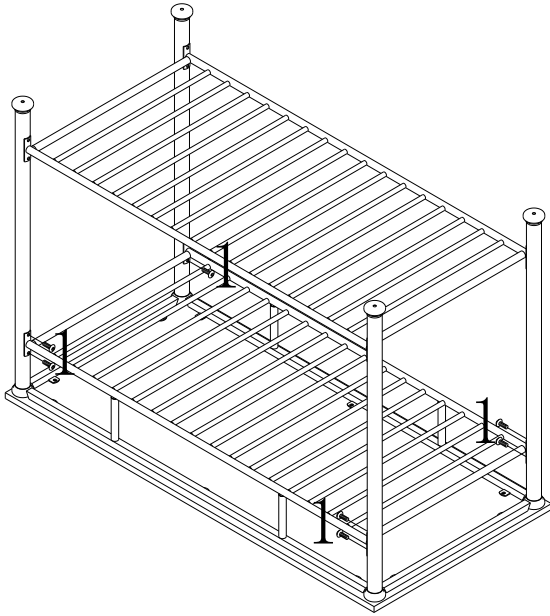


Figure 5

Step 5

Assembled the Shelf (C) and Leg (D) with Short Bolt (1) by Allen (4)

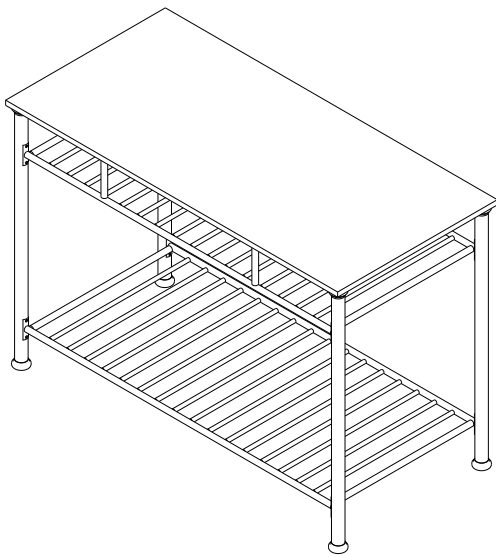


Figure 6

Step 6

Turn Over the Figure 5 ,
Now your table is ready for use !