

PARTS LIST / LISTE DES PIÈCES / LISTA DE PIEZAS

ITEM NO. / ARTICLE NO. / ARTICULO NO : D299-800

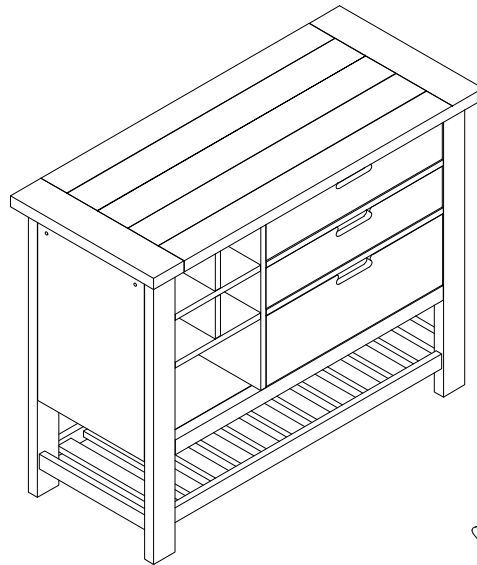
DESCRIPTION / DESCRIPCIÓN : KITCHEN ISLAND / ÎLOT DE CUISINE / ISLA DE COCINA

This product is not designed as a clothing unit and HAS NOT BEEN ASTM F2057-17 tested (tip test)



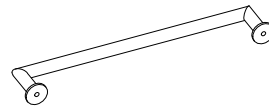
Serious or fatal injuries can occur from furniture tip-over. **We have provided a tip-restraint for your safety. Please install immediately and follow the guidelines below:**

- Place heavier items in bottom drawers.
- Do not set heavy items, including TVs on top of product unless product specifically allows.
- Do not allow children to climb on product, including doors, shelving and drawers.
- Open drawers individually.



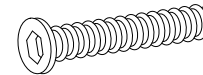
A

x1 Kitchen Island
x1 Îlot de cuisine
x1 Isla de cocina



B

x2 Pull *
x2 Poignée
x2 Tirador



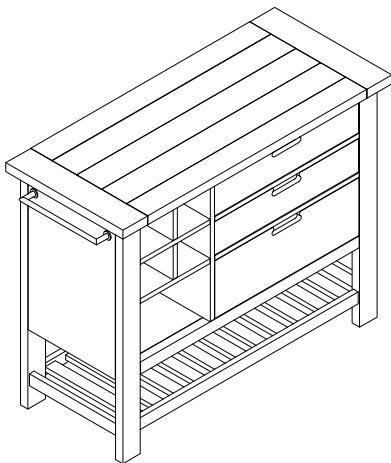
C

x4 Bolt M8 x 25mm *
x4 Boulon M8 x 25mm
x4 Perno M8 x 25mm



D

x1 Allen Key M4mm *
x1 Clé hexagonale M4mm
x1 Llave Allen M4mm



* Replaceable Part

ASSEMBLY INSTRUCTIONS / NOTICE DE MONTAGE / INSTRUCCIONES DE MONTAJE

ITEM NO. / ARTICLE NO. / ARTICULO NO : D299-800

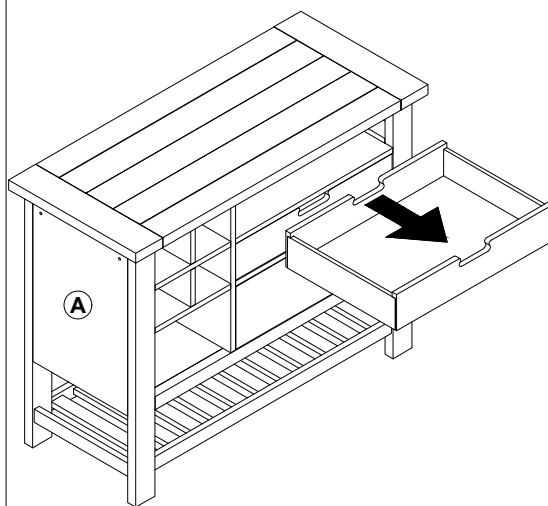
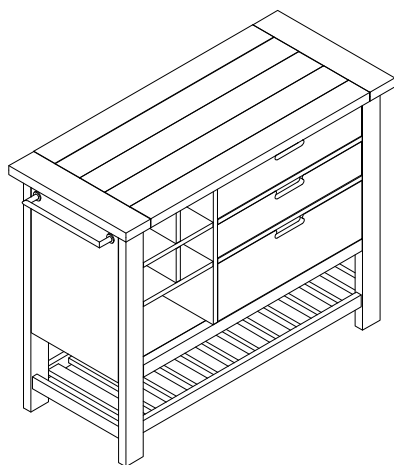
DESCRIPTION / DESCRIPCIÓN : KITCHEN ISLAND / ÎLOT DE CUISINE / ISLA DE COCINA

This product is not designed as a clothing unit and HAS NOT BEEN ASTM F2057-17 tested (tip test)

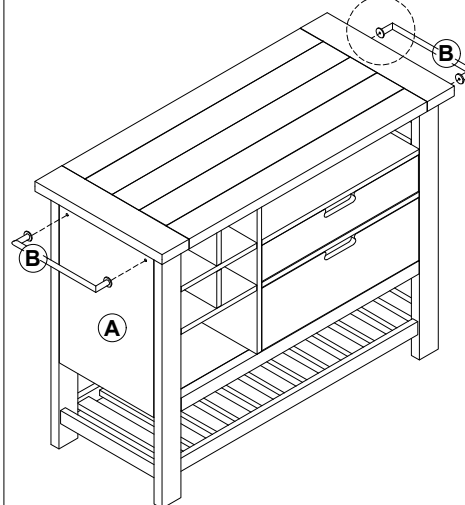
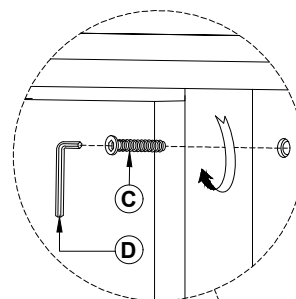


Serious or fatal injuries can occur from furniture tip-over. **We have provided a tip-restraint for your safety. Please install immediately and follow the guidelines below:**

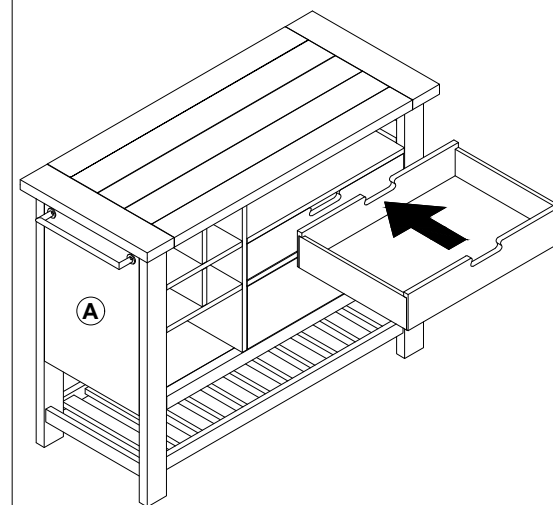
- Place heavier items in bottom drawers.
- Do not set heavy items, including TVs on top of product unless product specifically allows.
- Do not allow children to climb on product, including doors, shelving and drawers.
- Open drawers individually.



1



2



3

* Replaceable Part

REPLACEABLE PARTS / PARTIE REMPLAÇABLE / PARTE REEMPLAZABLE

ITEM NO. / ARTICLE NO. / ARTICULO NO : D299-800

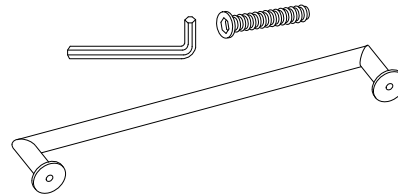
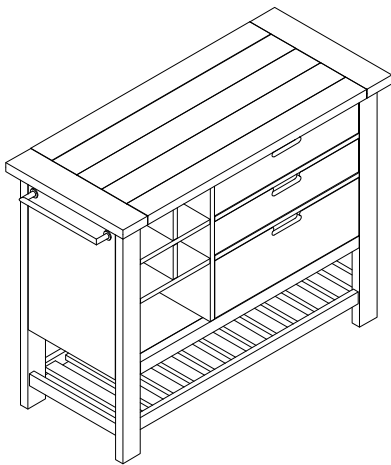
DESCRIPTION / DESCRIPCIÓN : KITCHEN ISLAND / ÎLOT DE CUISINE / ISLA DE COCINA

This product is not designed as a clothing unit and HAS NOT BEEN ASTM F2057-17 tested (tip test)

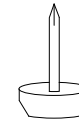


Serious or fatal injuries can occur from furniture tip-over. **We have provided a tip-restraint for your safety. Please install immediately and follow the guidelines below:**

- Place heavier items in bottom drawers.
- Do not set heavy items, including TVs on top of product unless product specifically allows.
- Do not allow children to climb on product, including doors, shelving and drawers.
- Open drawers individually.



x2 RD299-800-PULL - Pull with Screw *
Poignée et vis
Tirador y Tornillo



x4 RC-BL-NAIL -Nail *
Clou
Uña

* Replaceable Part