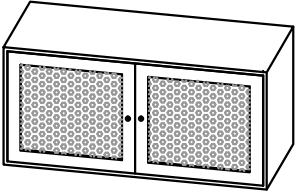
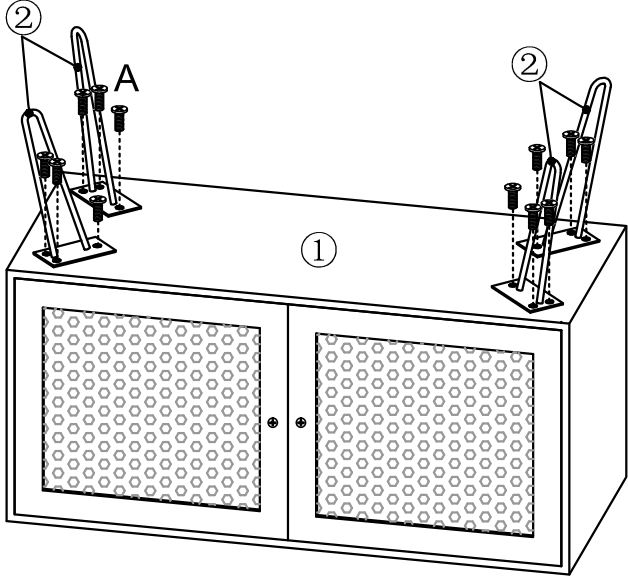
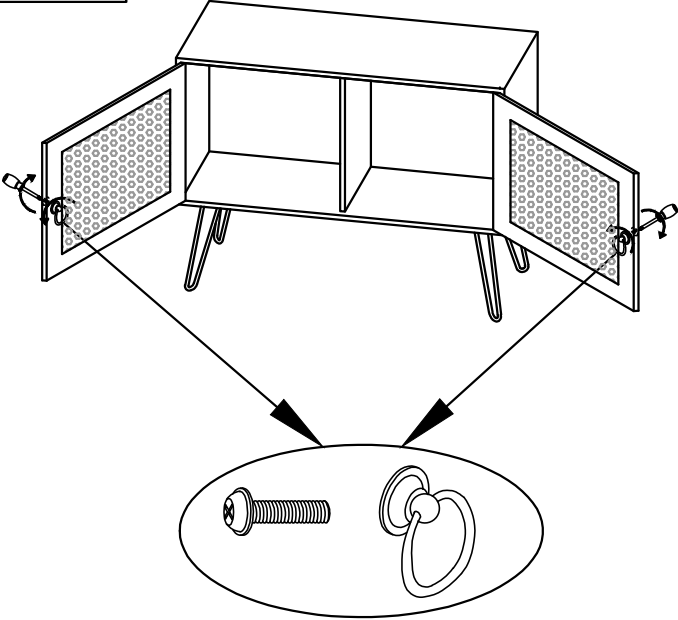
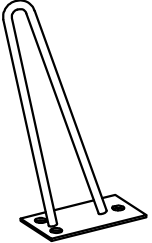
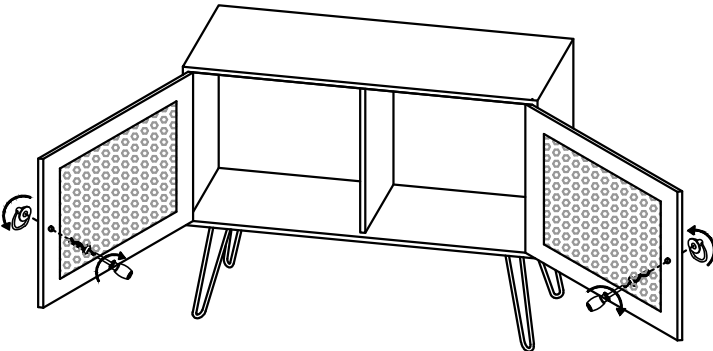
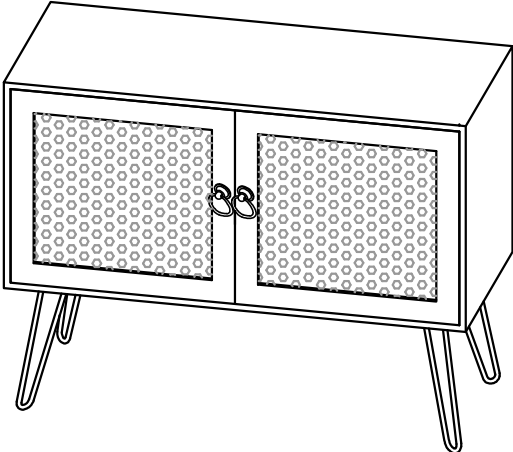
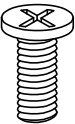


ASSEMBLY INSTRUCTION

ITEM: Metal/Rattan-Sideboard

NO	PART LIST	QTY	STEP 1	STEP 2
①	 <p>TWO DOORS CABINET</p>	1PC	<p>Begin assembly by attaching metal legs (2) to the bottom side of Cabinet(1) and screwing 3pcs flat head screws (A) per leg using screw drivers.</p> 	<p>Unscrew the handles from back of doors</p> 
②	 <p>METAL LEGS</p>	4PCS		
NO	HARDWARE LIST	QTY	<p>STEP 3 Attach the handles by aligning the hole from the front side of doors, tightening with screw driver again.</p> 	<p>STEP 4 Assembly Complete.</p> 
A	 <p>FLAT HEAD SCREWS Ø6 x10mm</p>	12PCS		