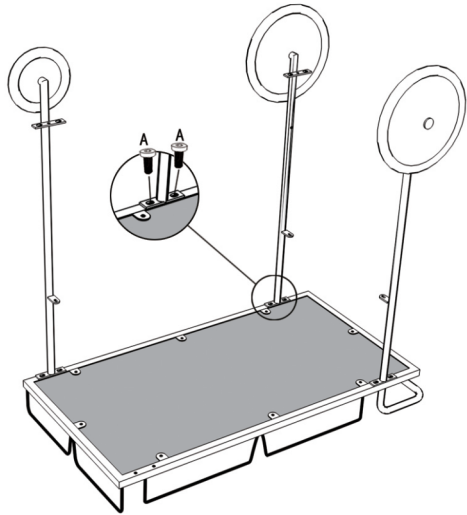
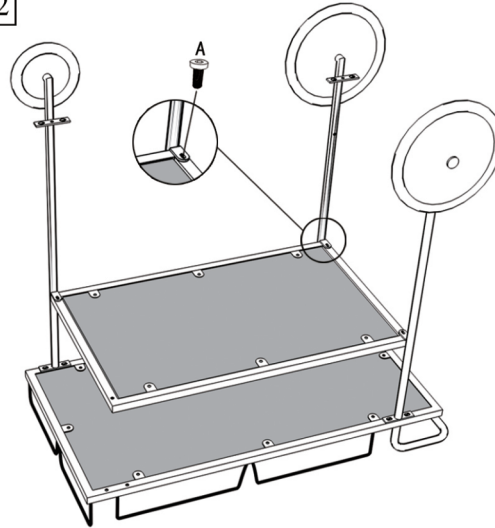


# TDA-1020ER BAR CAR

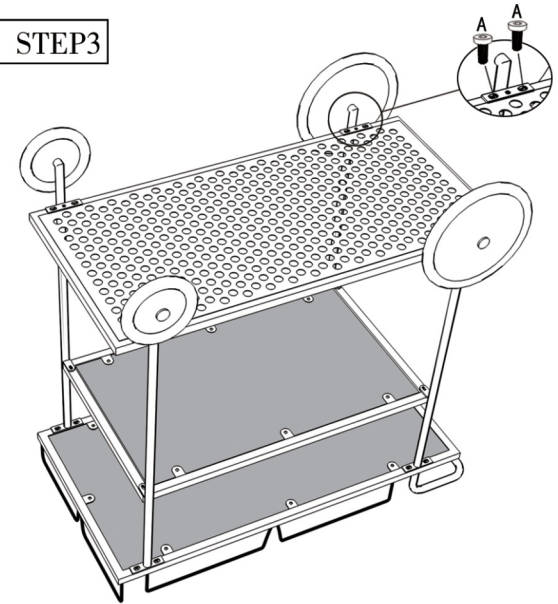
STEP1



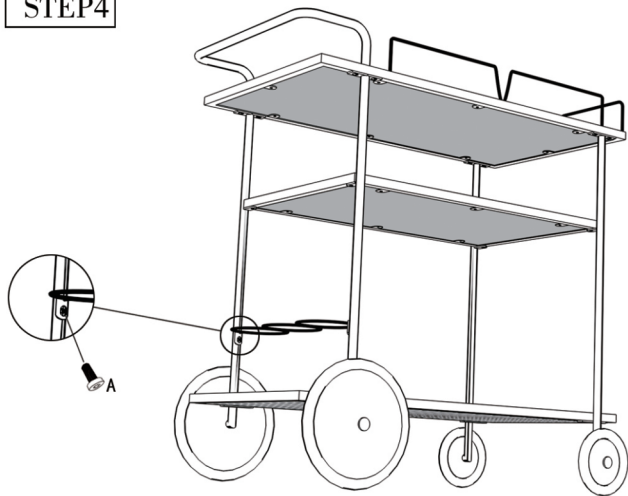
STEP2



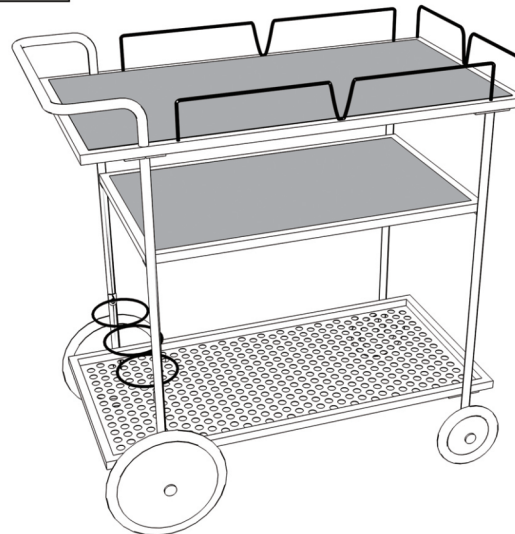
STEP3





STEP4

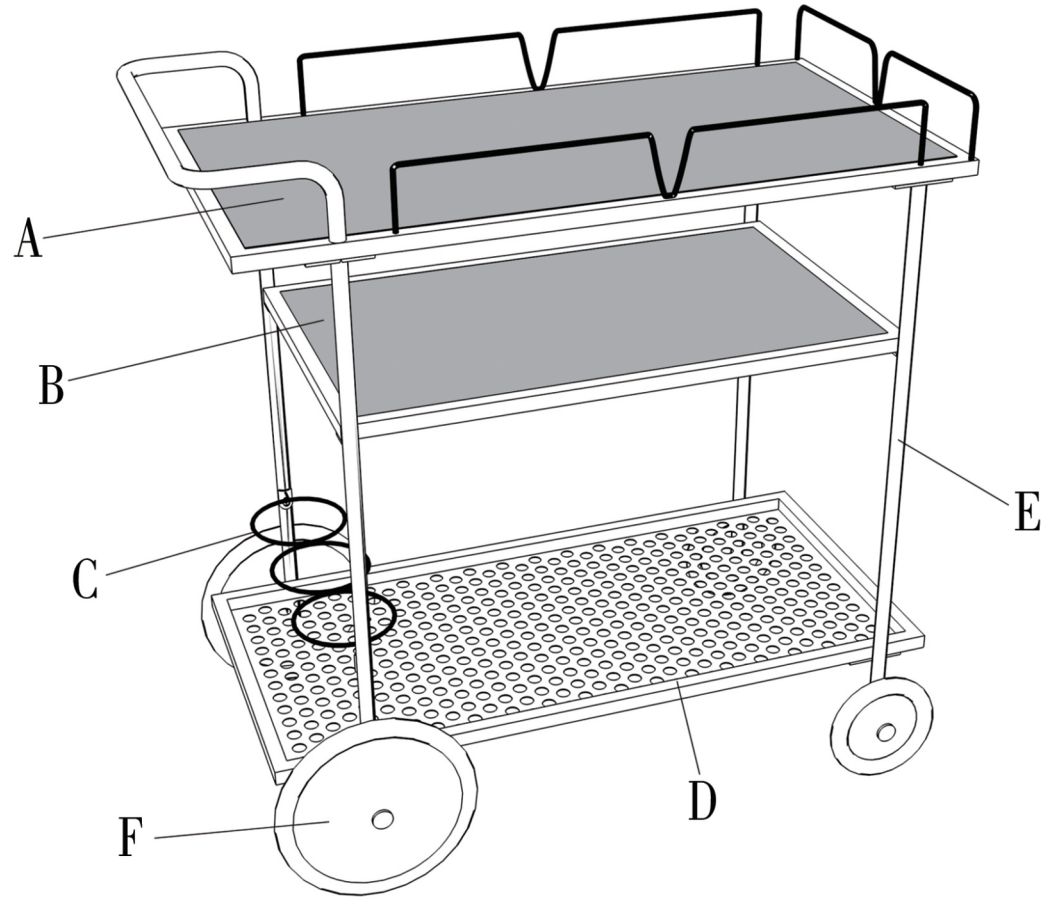


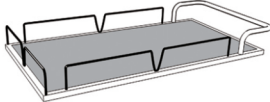



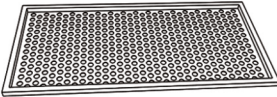

STEP5



TDA-1020ER HDWR			
A		22X	1/4"*15mm
B		1X	S4

Note:Pls do not tighten all bolts until the products is assembled completely.



TDA-1020ER	A		1X	C		1X	E		4X
	B		1X	D		1X	F		4X