







# ASSEMBLY INSTRUCTION

## CVFNR4401

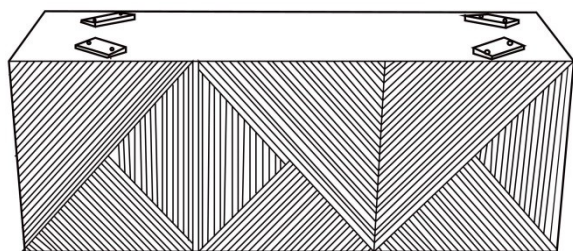
### PARTS

S. NO.	DESCRIPTION	QTY.
<b>E</b>	 CABINET	1
<b>F</b>	 LEG 1/2/3/4	4

### HARDWARE

S. NO.	DESCRIPTION	QTY.
<b>A</b>	 BOLT	8
<b>B</b>	 SPRING WASHER	8
<b>C</b>	 FLAT WASHER	8
<b>D</b>	 ALLEN WRENCH	1

#### STEP 1



**E**

#### STEP 2

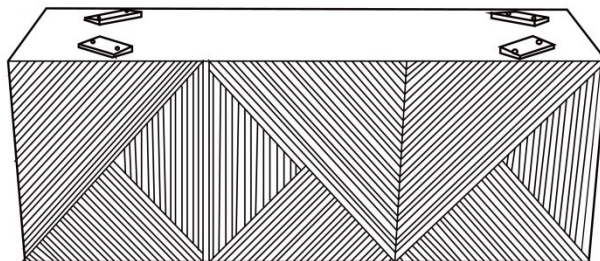


**F1**

**F2**

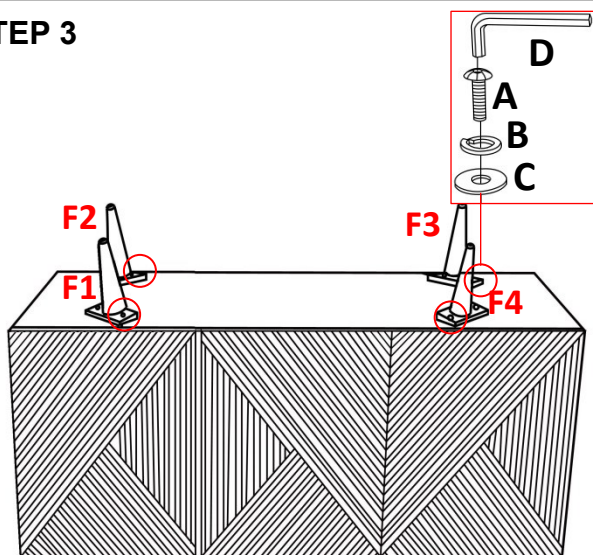
**F3**

**F4**



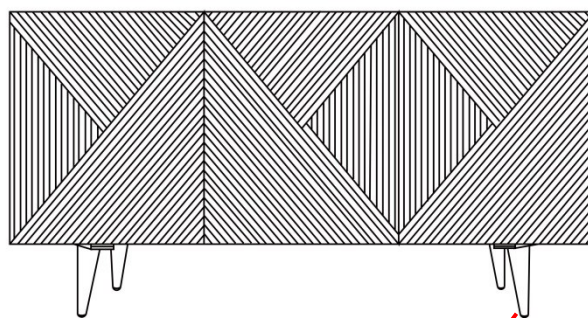
**E**

#### STEP 3



**E**

#### COMPLETED



Adjust height  
for balance



Adjust low  
for balance

Adjust Pre-installed  
Levellers  
height for balance