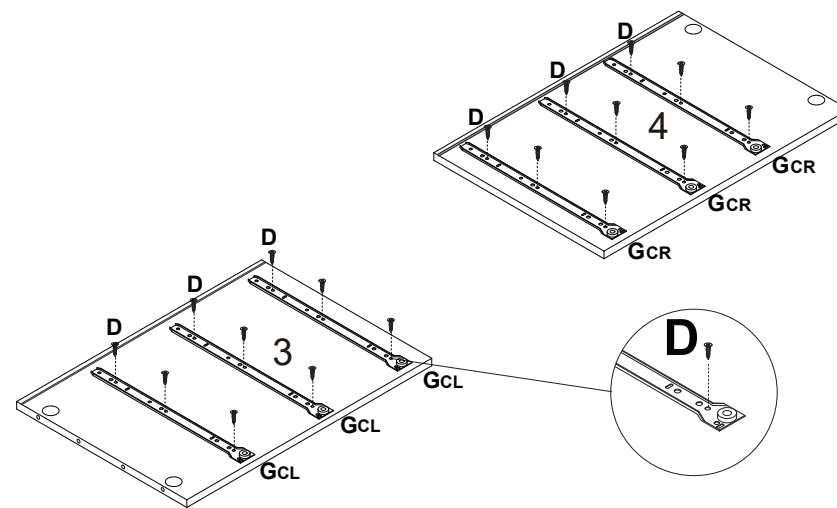


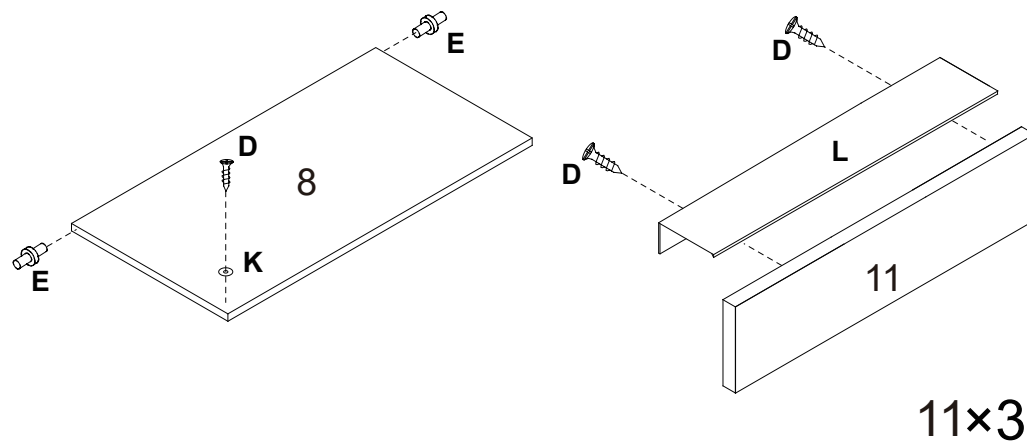
1 Attach the runners G to pieces 3 and 4 as shown. Use screws (D).



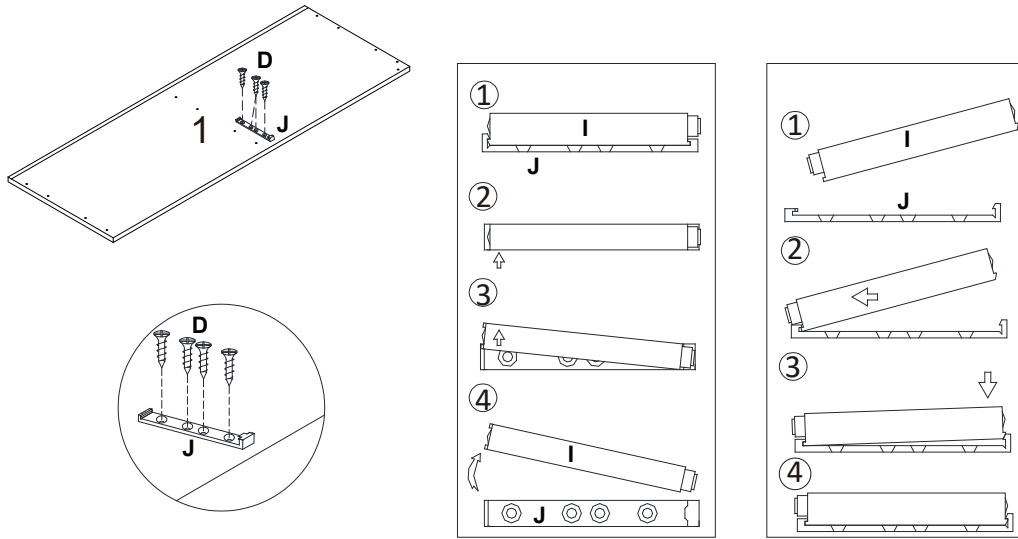
A		18PCS
B		18PCS
C		20PCS
D		47PCS
E		2 PCS
F		12PCS
G	 CL DL DR CR	3 PCS
H		4 PCS
I		1 PC
J		1 PC
K		1 PC

L		3 PCS
M		20PCS
N		2 PCS
O		2 PCS
P		2 PCS

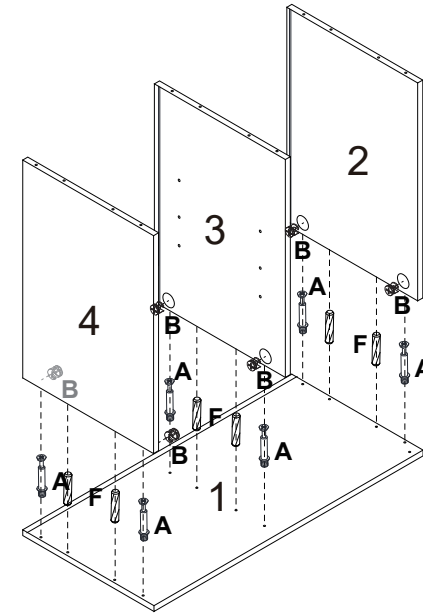
2 On piece 8 attach metal plate (K) using screw (D), put the bar hinges (E) as shown. On piece 11, attach the door handles (L) using screws (D).



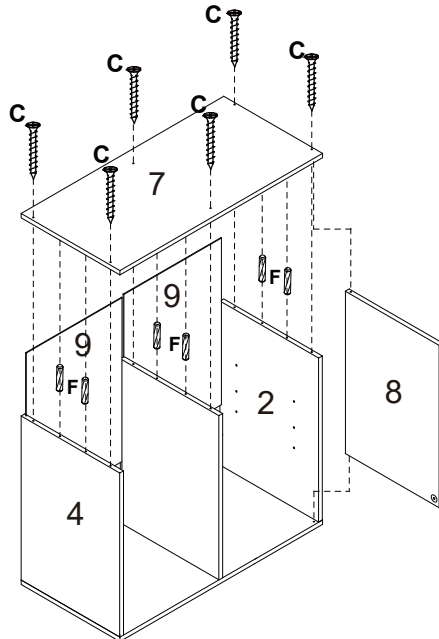
- 3** Attach the push system base (J) to pieces 1 as shown. Use screws (D). Then put push system (I) on the base.



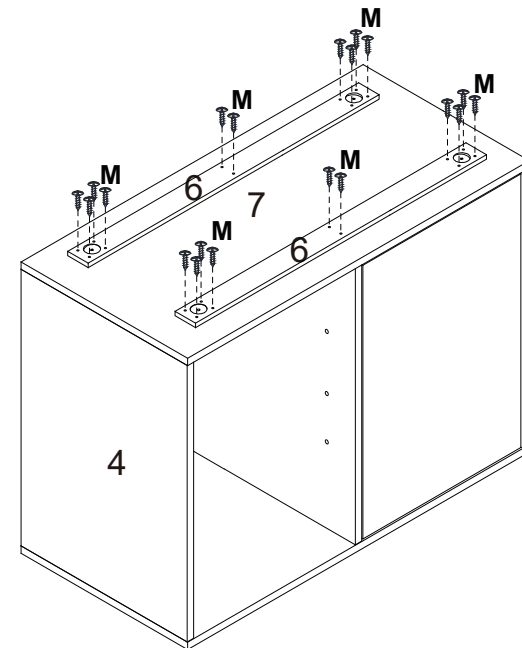
- 4** Attach pieces 2, 3 and 4 to piece 1 using wooden dowel (F), cam dowels (A) and cam locks (B), make sure that the built-in ridge is facing inwards.



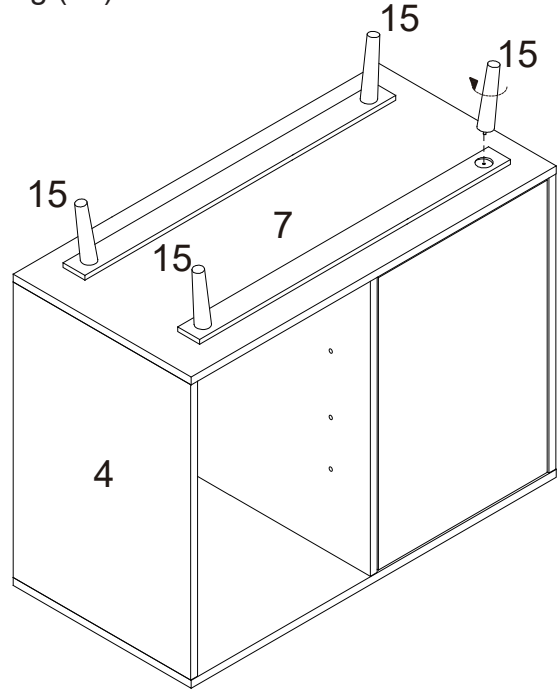
- 5** Slot piece 9 into the ridges, then attach piece 7 using wooden dowels (F), screws (C), connect door 8 using bar hinges (E).



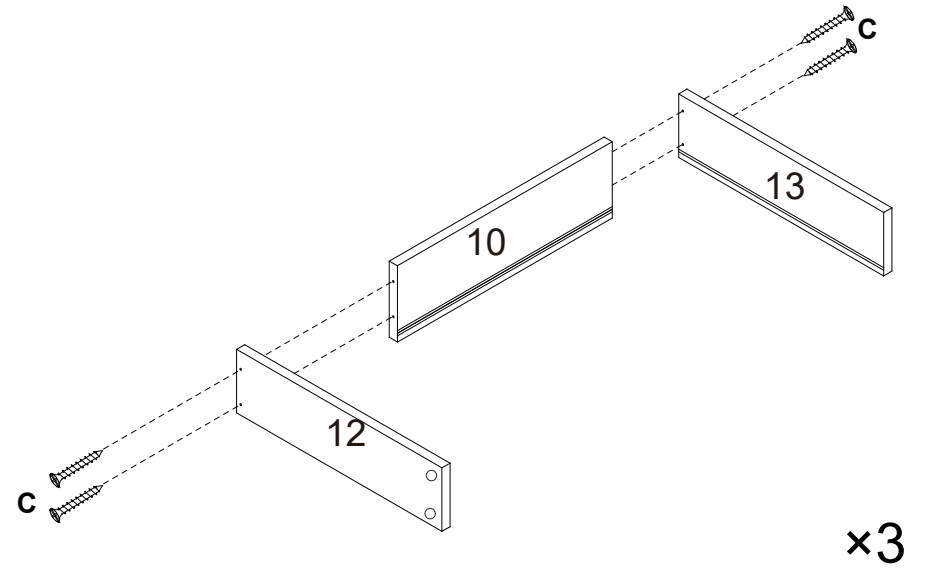
- 6** Attach piece 6 to piece 7 using screw (M) as shown.



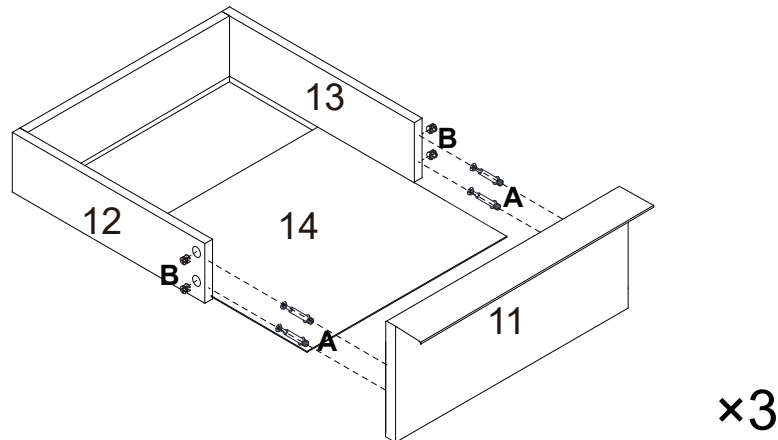
7 Tighten the leg (15) clockwise direction.



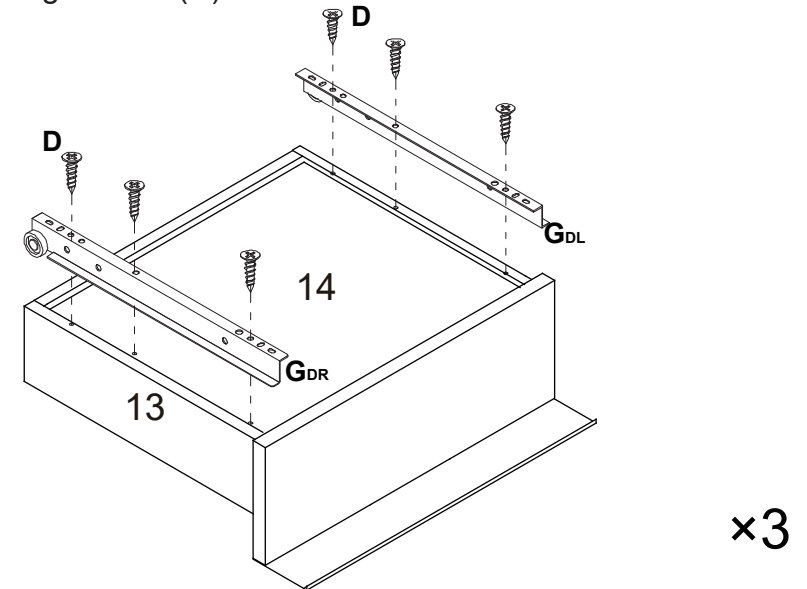
8 Attach pieces 10, 12 & 13 using screws (C). Make sure that the built-in ridge is facing inwards and at the bottom.



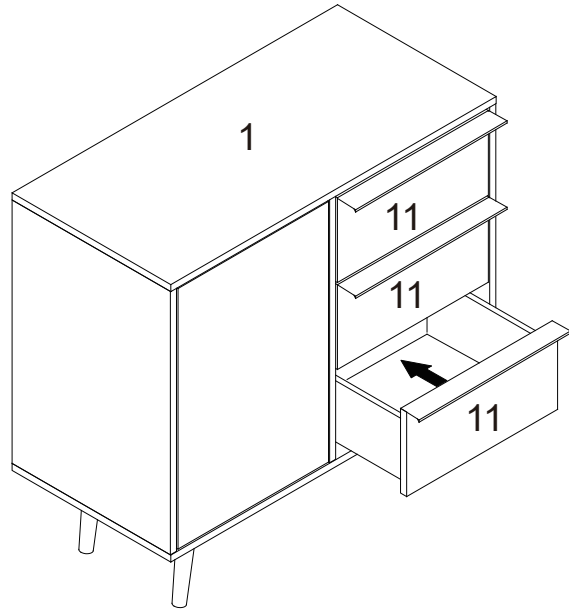
9 Slot piece 14 into the ridges. First insert the cam locks (B) into the pre-drilled holes on parts 12 & 13. Then insert cam dowels (A) into each side, you then need to line up these screws with the pre-drilled holes on the front piece (11). Once attached, tighten the cam locks (B) using a cross-head screwdriver and ensure the piece is secure.



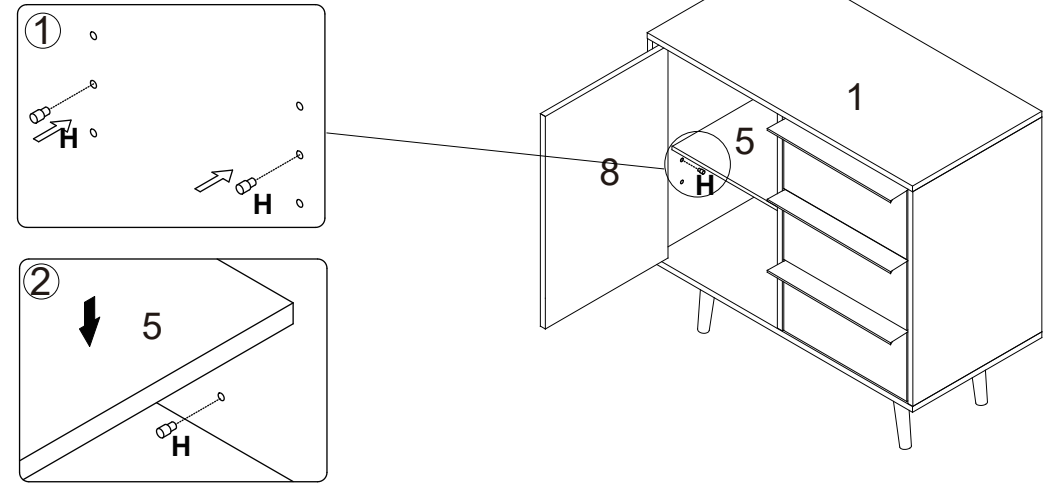
10 Turn the drawer upside down. Line up the holes on the outside pieces with the holes on the runners (GDR & GDL), secure to the drawer using screws (D).



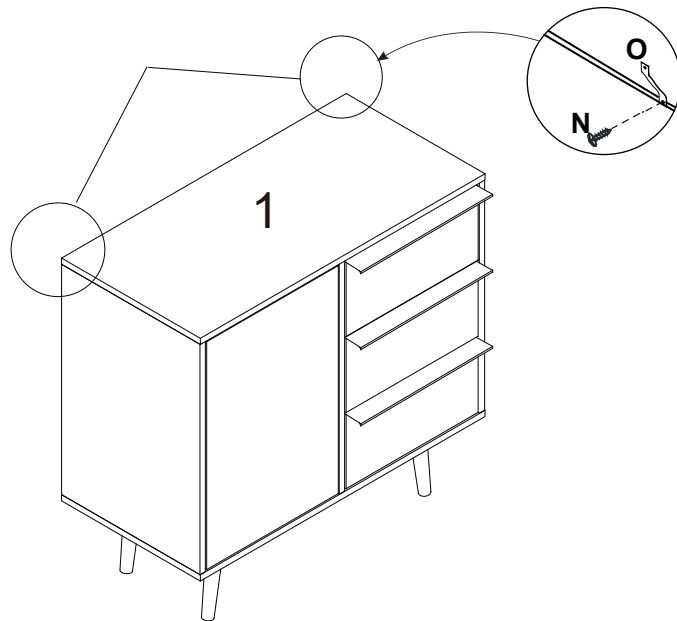
11 Turn the unit upside down, insert the drawers.



12 Put shelf support (H) into the hole on piece 2 & 4, put the piece 5 on the shelf support.



13 Attach strip (O) using screw (N).



14 Secure the unit to a wall in your chosen location using wall plugs (P) and screw (C).

