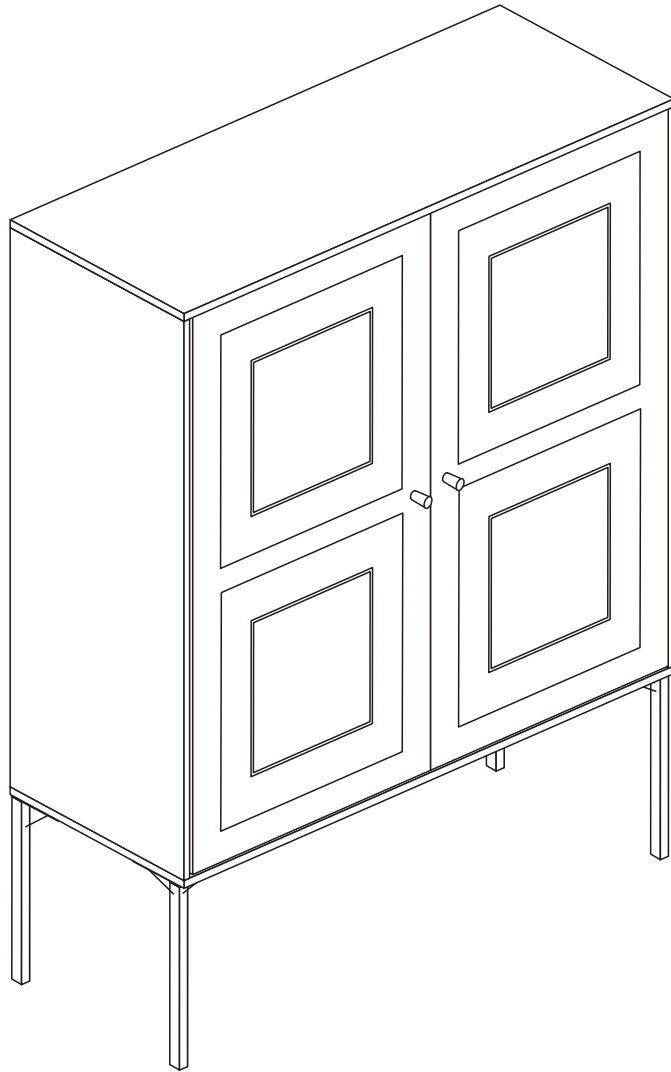
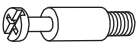

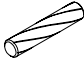

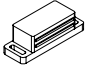

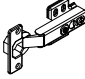

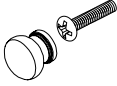



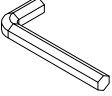

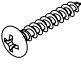
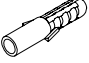


# Cabinet

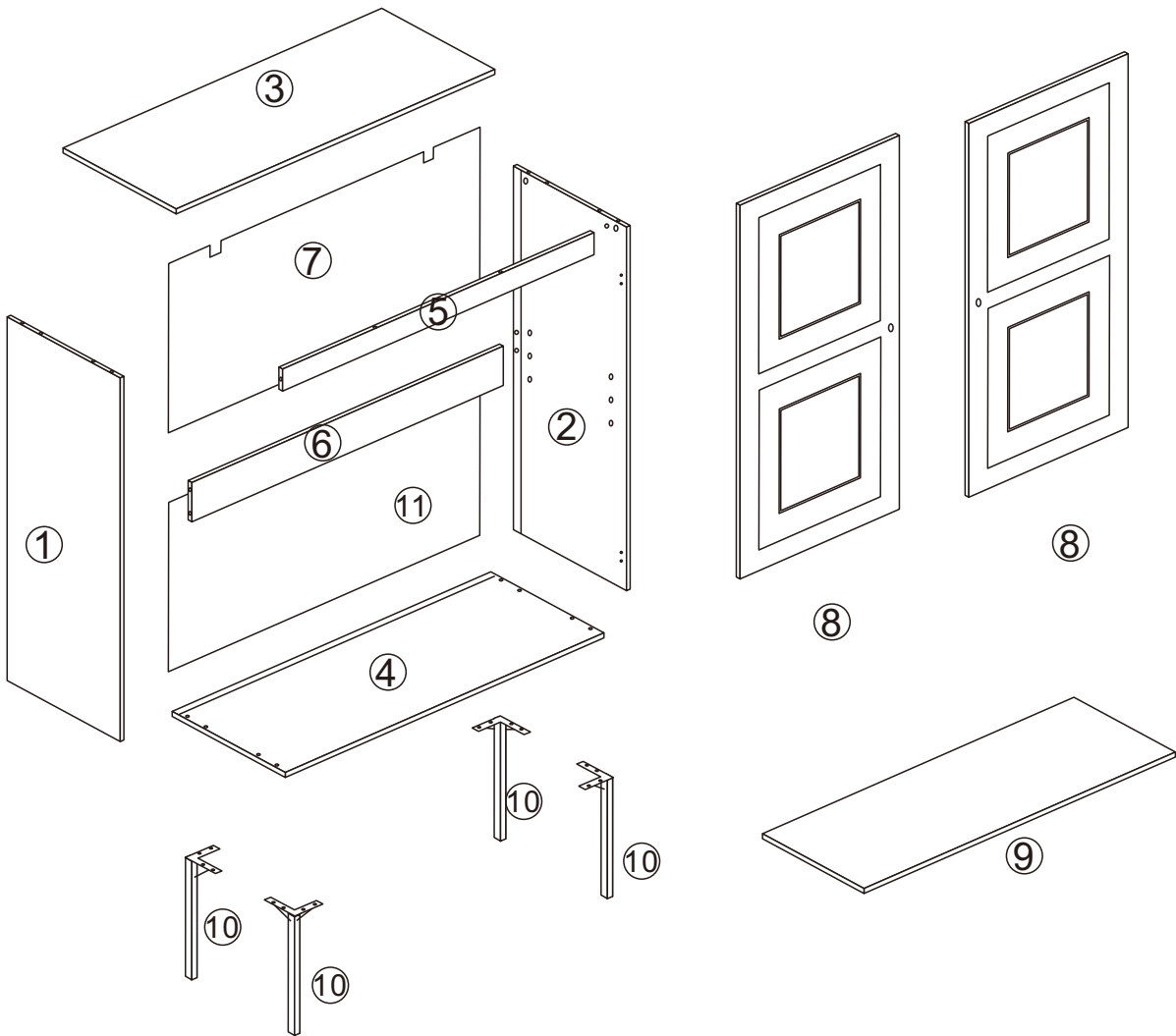


## ASSEMBLY INSTRUCTION

# HARDWARE LIST

<p>A</p> <p>11pcs</p>		<p>B</p> <p>11pcs</p>		<p>C</p> <p>8pcs</p>		<p>D</p> <p>4pcs</p>	
<p>E</p> <p>1pc</p>		<p>F</p> <p>34pcs</p>		<p>G</p> <p>4pcs</p>		<p>H</p> <p>16pcs</p>	
<p>I</p> <p>2pcs</p>		<p>J</p> <p>2pcs</p>		<p>K</p> <p>8pcs</p>		<p>L</p> <p>4pcs</p>	
<p>M</p> <p>1pc</p>		<p>N</p> <p>2pcs</p>		<p>O</p> <p>2pcs</p>		<p>P</p> <p>2pcs</p>	

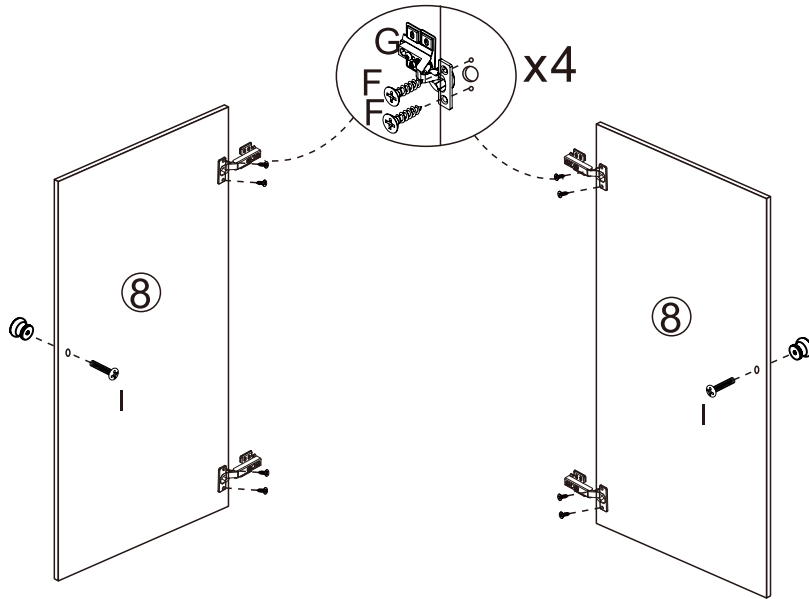
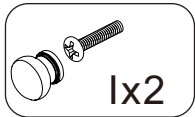
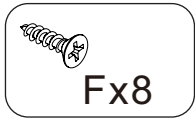
# PARTS LIST



# ASSEMBLY STEPS

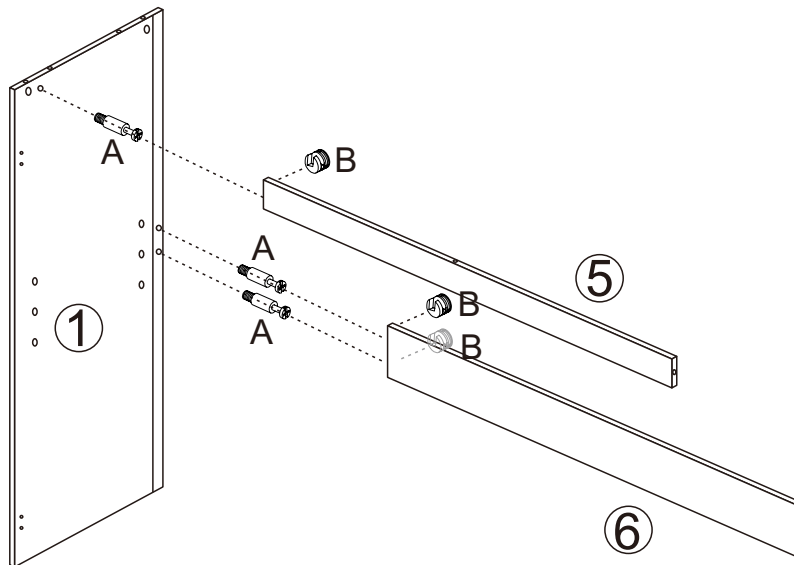
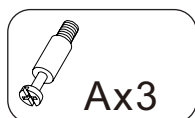
## STEP 1.

Fix hinges (G) to doors 8 using screws (F), as shown.  
Fix handles to doors 8 using screws (I), as shown.



## STEP 2.

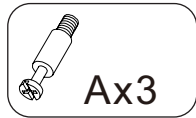
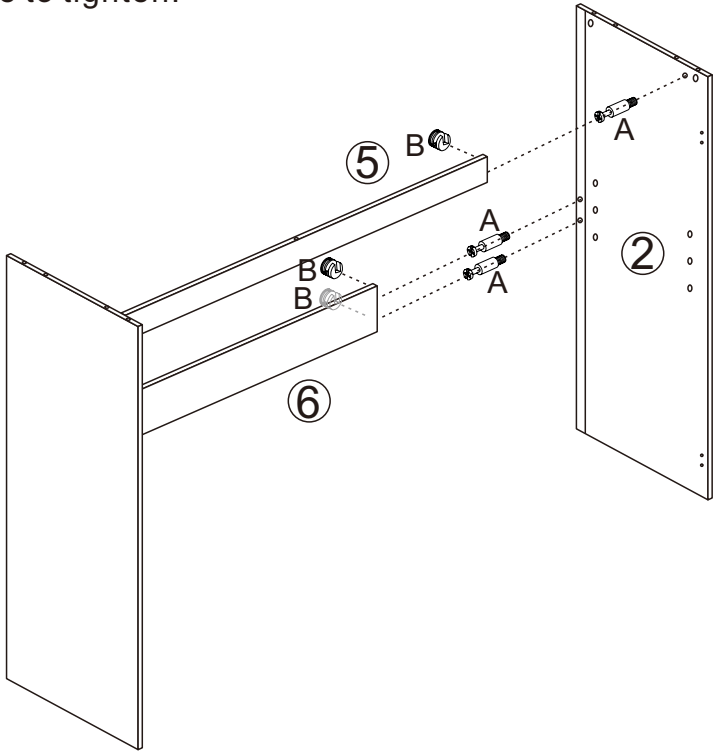
Insert quickfit screws (A) into part 1.  
Insert cam locks (B) into parts 5 and 6, as shown.  
Turn cam locks clockwise to tighten.



# ASSEMBLY STEPS

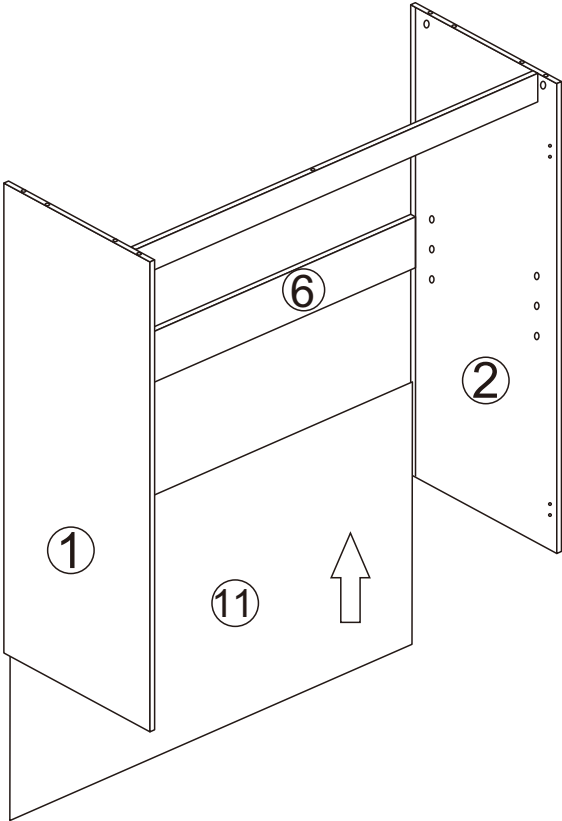
## STEP 3.

Insert quickfit screws (A) into part 2.  
Insert cam locks (B) into parts 5 and 6, as shown.  
Turn cam locks clockwise to tighten.



## STEP 4.

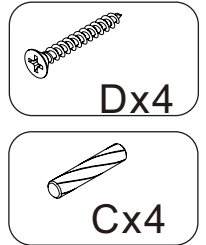
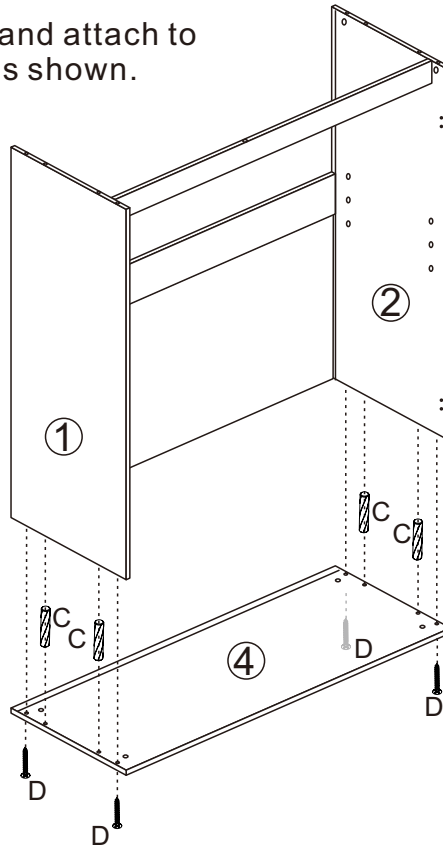
Insert part 11 into grooves of parts 1, 2 and 6, as shown.



## ASSEMBLY STEPS

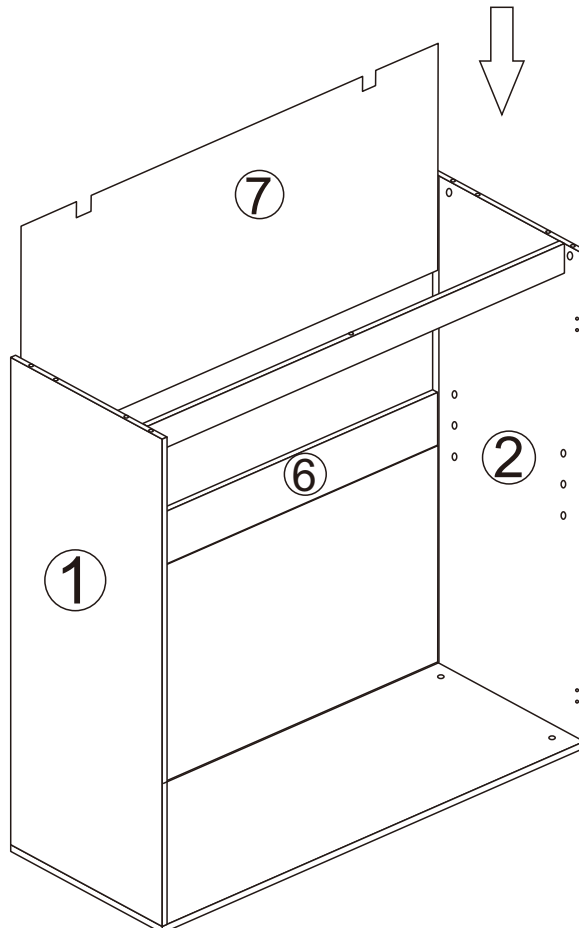
### STEP 5.

Insert wooden dowels (C) to part 4 and attach to assembled unit using screws (D), as shown.



### STEP 6.

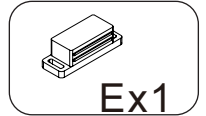
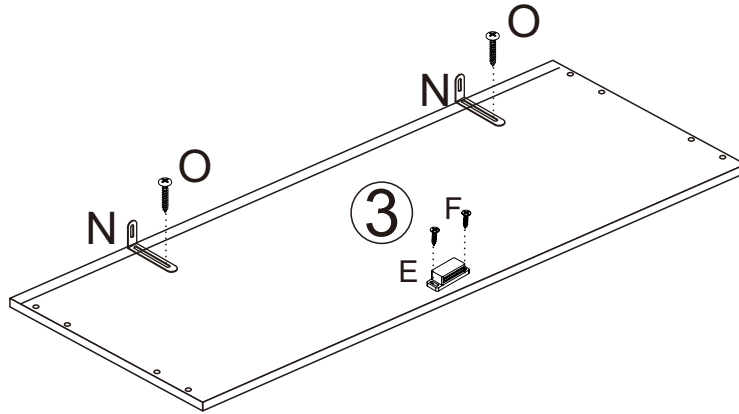
Insert part 7 into grooves of parts 1, 2 and 6, as shown.



# ASSEMBLY STEPS

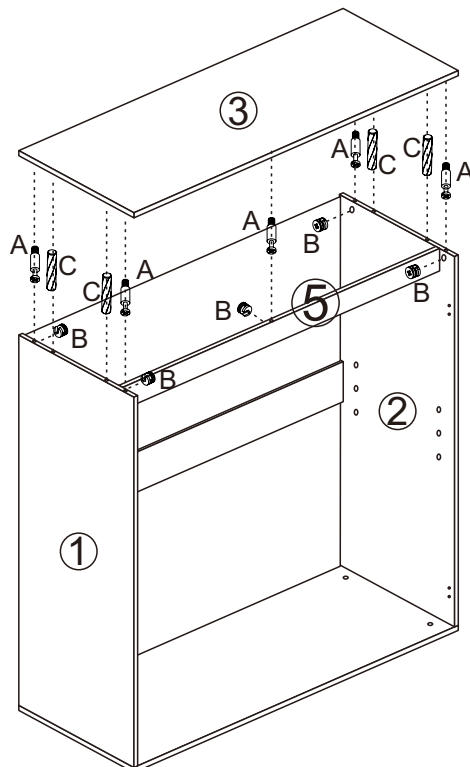
## STEP 7.

Fix wall brackets (N) to part 3 using screws (O), as shown.  
Fix hardware (E) to part 3 using screws (F), as shown.



## STEP 8.

Insert quickfit screws (A) into part 3.  
Insert cam locks (B) and wooden dowels (C) into parts 1,2 and 5, as shown.  
Fit part 3 to assembled unit, as shown. Turn cam locks clockwise to tighten.

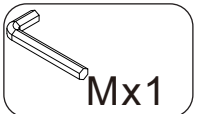
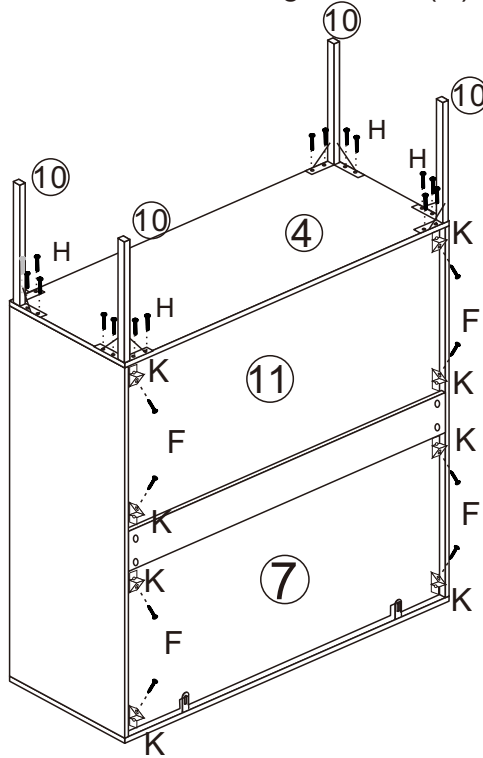


# ASSEMBLY STEPS

## STEP 9.

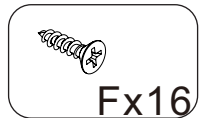
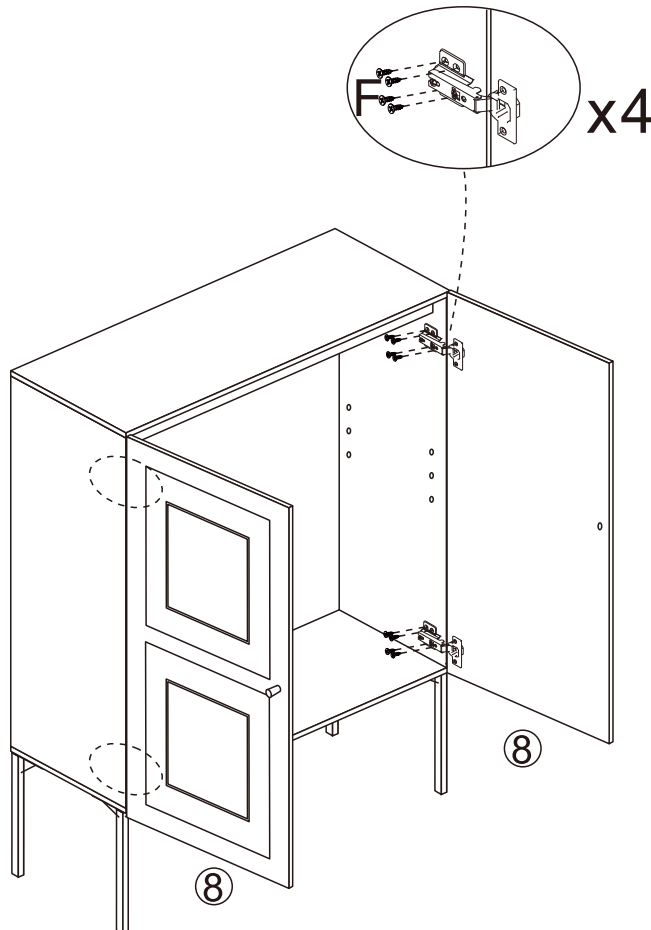
Fix legs 10 to part 4 using screws (H), as shown.

Fix corner brackets (K) to parts 7 and 11 using screws (F), as shown.



## STEP 10.

Fix doors 8 to assembled unit using hinges (G) and screws (F), as shown.

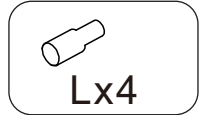
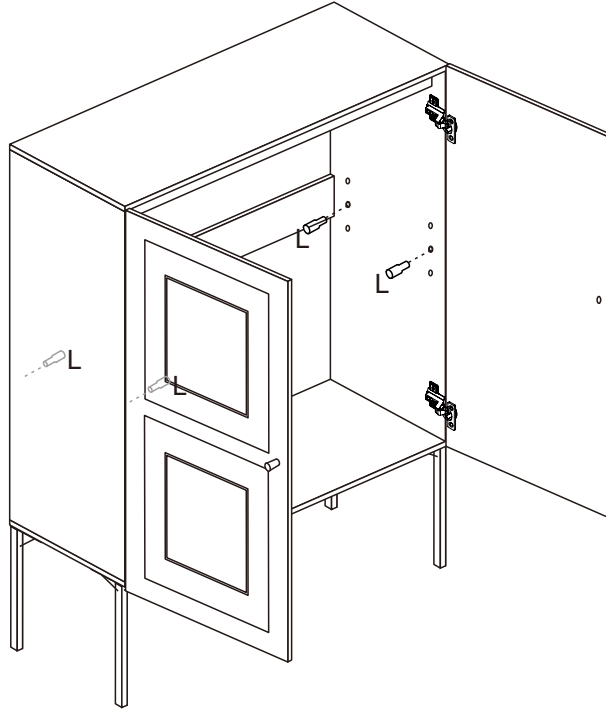




## ASSEMBLY STEPS

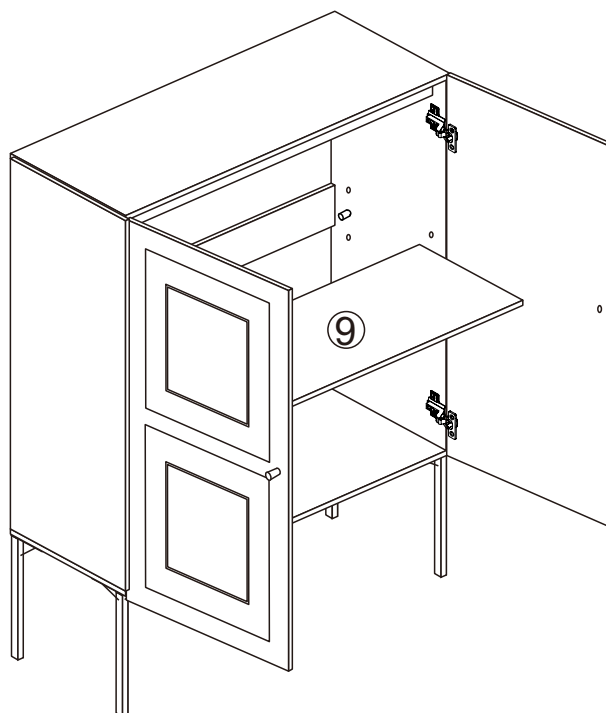
### STEP 11.

Fit shelf supports (L) into desired position in the assembled unit, as shown.



### STEP 12.

Place shelf 9 on top of shelf supports, as shown.

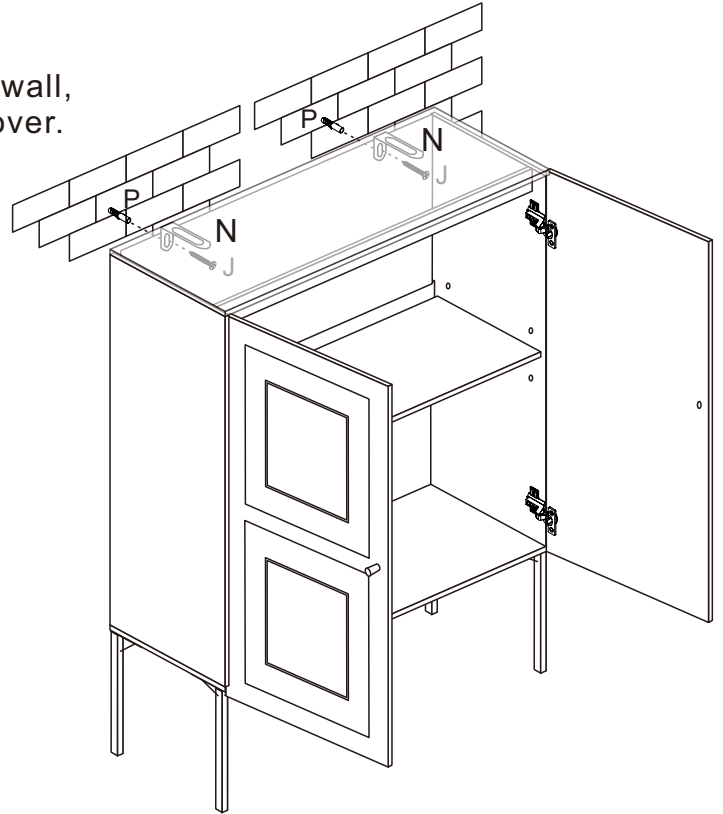
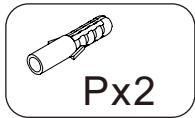
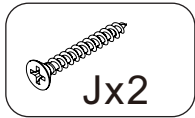


## ASSEMBLY STEPS

### STEP 13.

For extra stability, it is recommended that you fix your cabinet to the wall using hardware (J and P), as shown.

Screws (J) are fixed through wall brackets (N) and into the wall plugs (P). Should you choose not to affix the product to the wall, serious injury may be caused if the product tips over.



### STEP 14.

