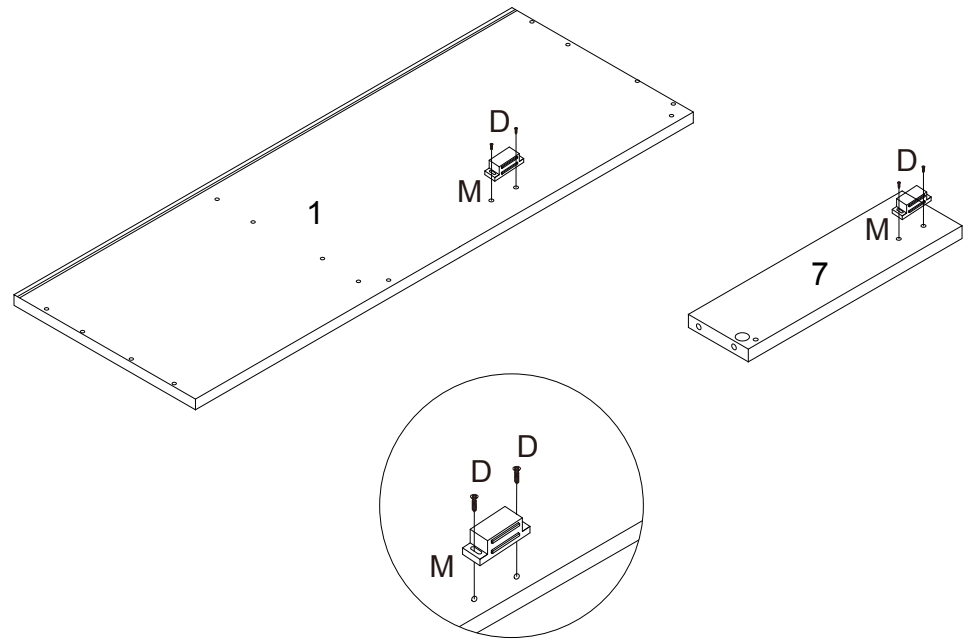


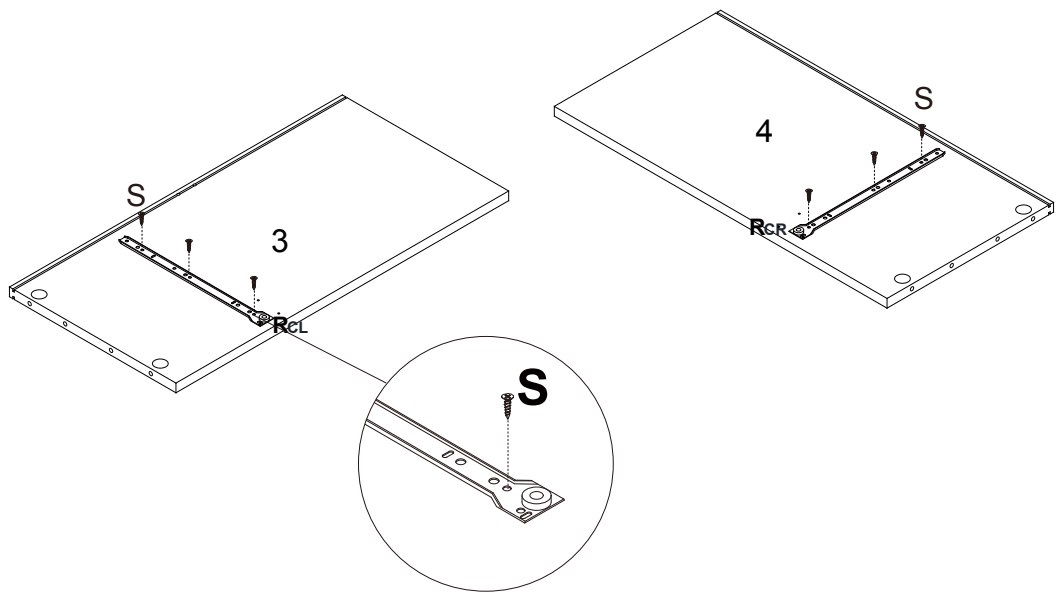
1

On piece 1 & 7, secure the catch (M) using screws (D). Use the pre-drilled holes for guidance.



2

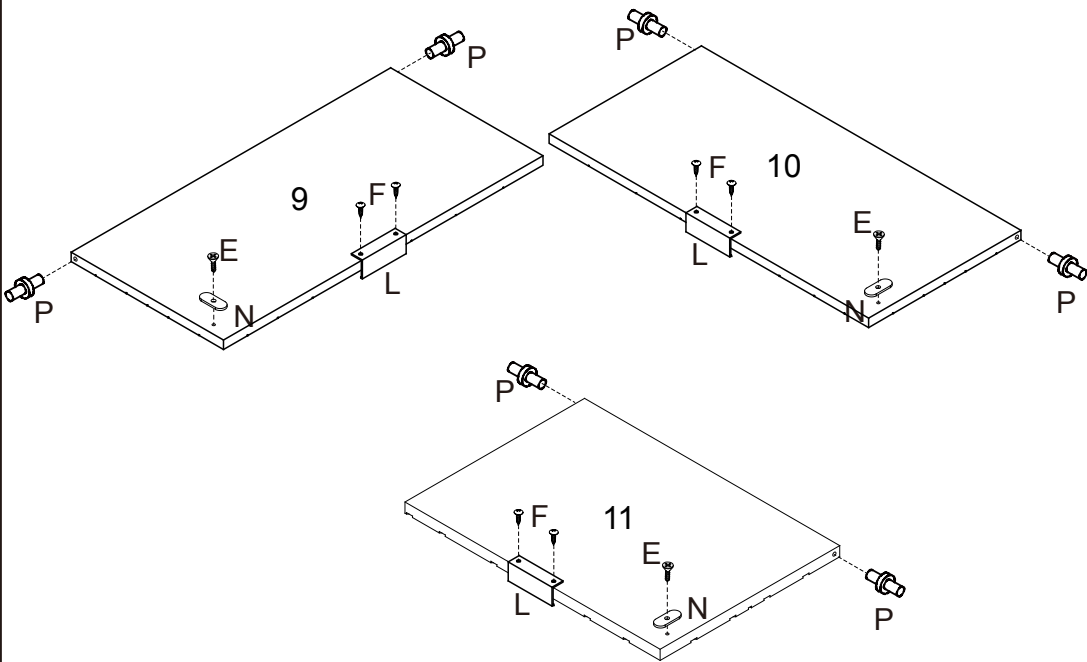
Attach the runners R to pieces 3 and 4 as shown. Use screws (S).



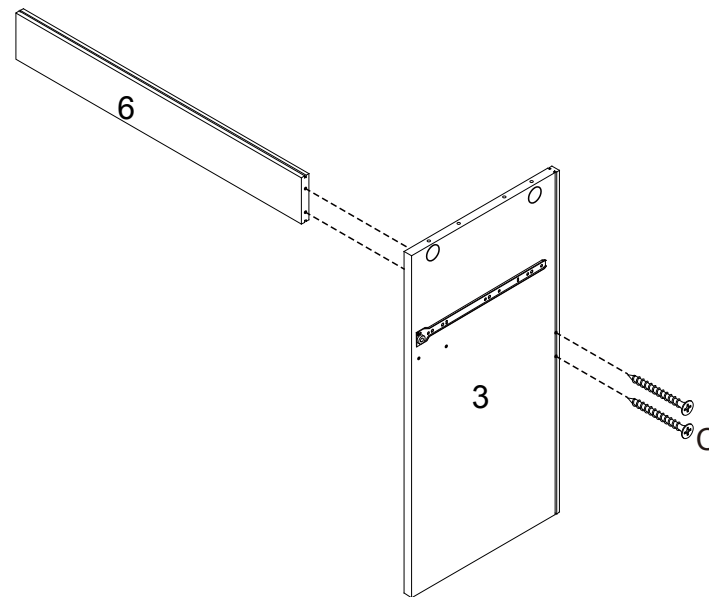
A		13PCS
B		13PCS
C		16PCS
D		4 PCS
E		3 PCS
F		10PCS
G		6 PCS
H		4 PCS
I		1 PC
J		2 PCS
K		2 PCS

L		4 PCS
M		2 PCS
N		3 PCS
O		13PCS
P		6 PCS
Q		4 PCS
R	 CL DL DR CR	1 PC
S		12PCS

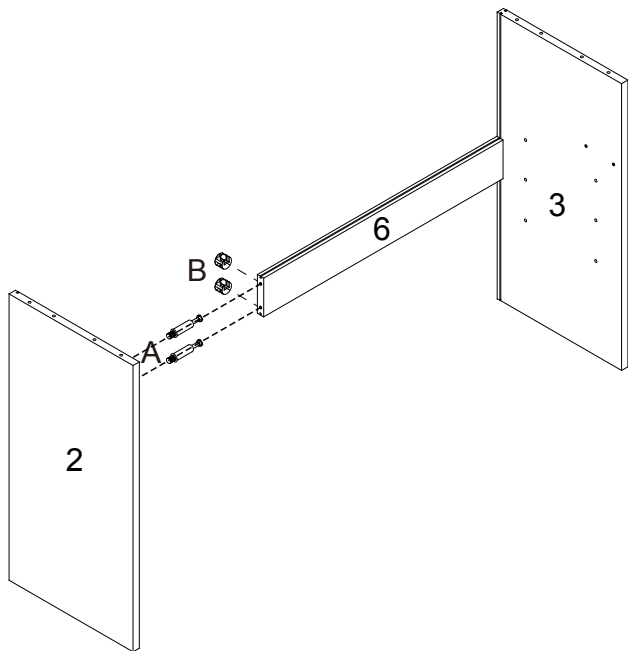
3 On piece 9, 10 & 11, attach the plates (N) using screws (E), attach the door handles (L) using screws (F), attach bar hinges (P) as per drawings.



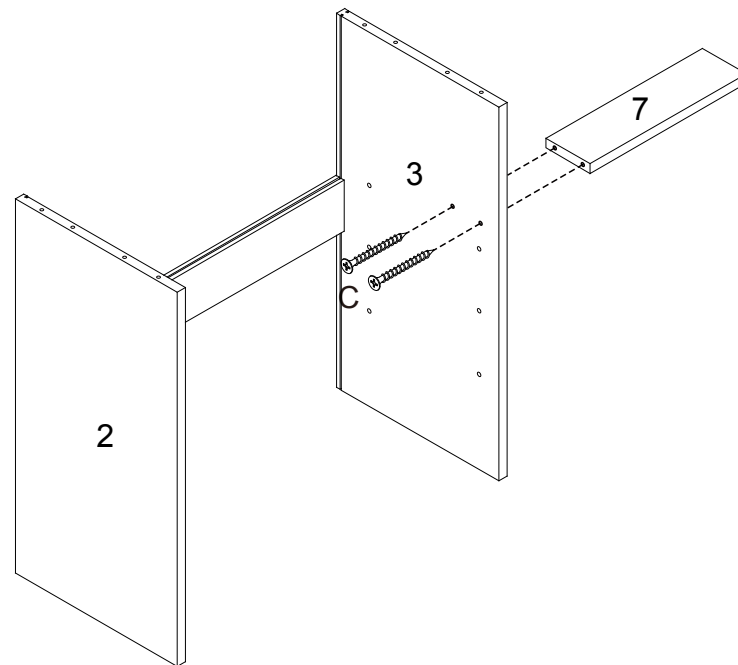
4 Attach piece 6 to piece 3 using screws (C).



5 Attach piece 2 to piece 3 & 6 using cam dowels (A) and cam locks (B).

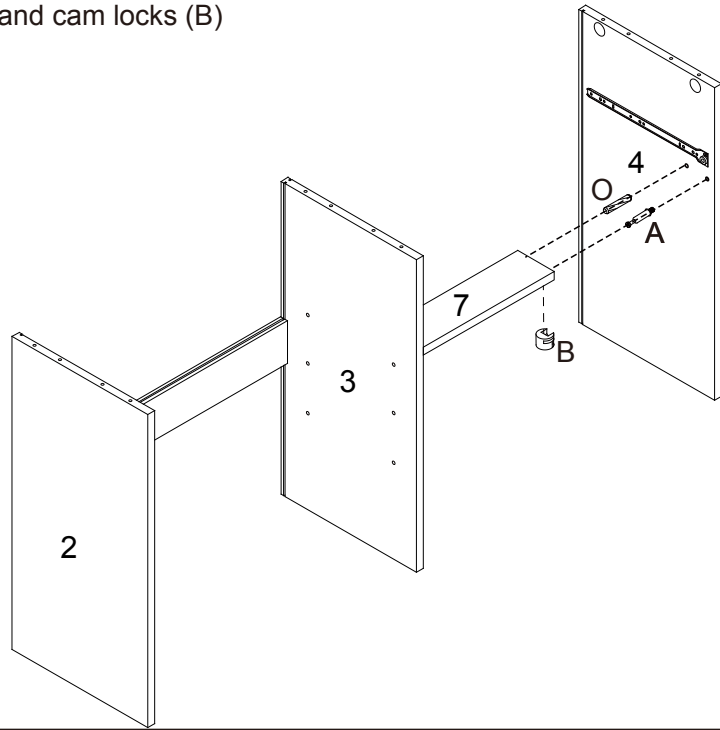


6 Attach piece 7 to section using screws (C).



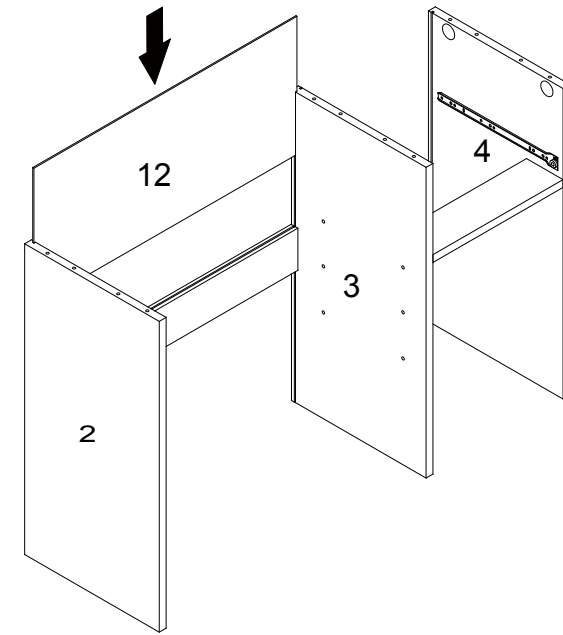
7

Attach piece 4 to section using wooden dowel (O), cam dowels (A) and cam locks (B)



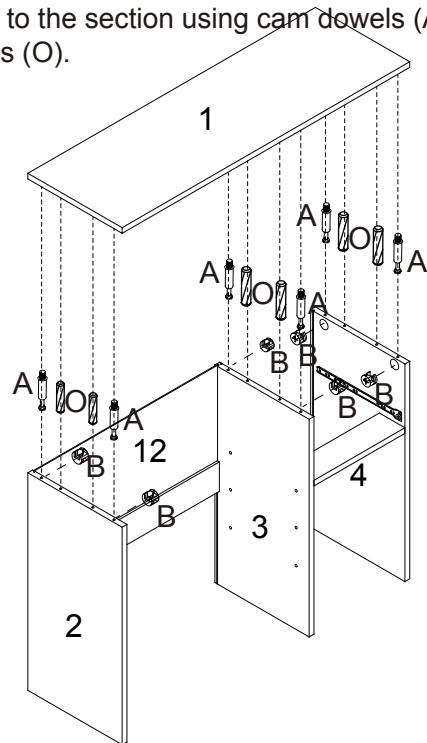
8

Slot piece 12 into the ridges.



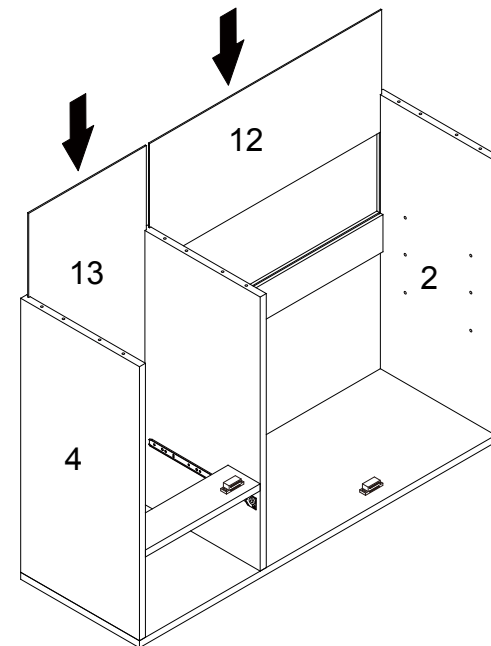
9

Attach piece 1 to the section using cam dowels (A), cam locks (B) & wooden dowels (O).



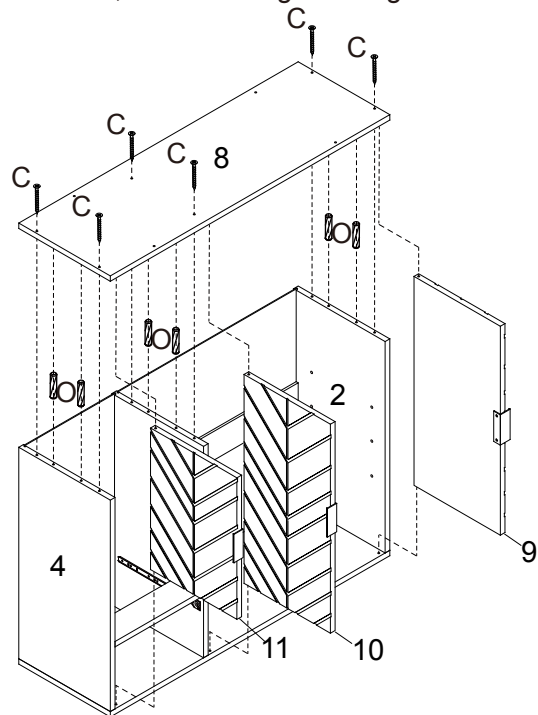
10

Turn the section upside down, slot piece 12 & 13 into the ridges.



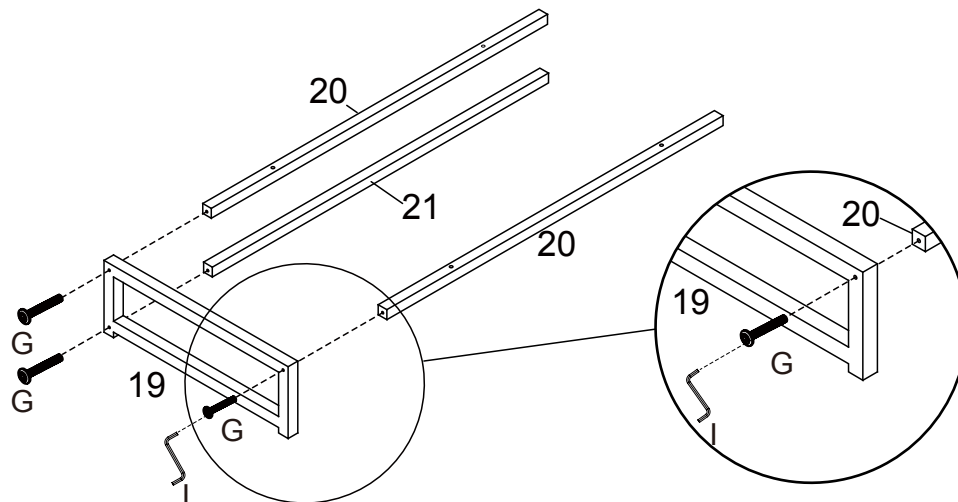
11

Attach piece 8 to the section using screws (C) & wooden dowels (O).
Connect door 9, 10 & 11 using bar hinges.



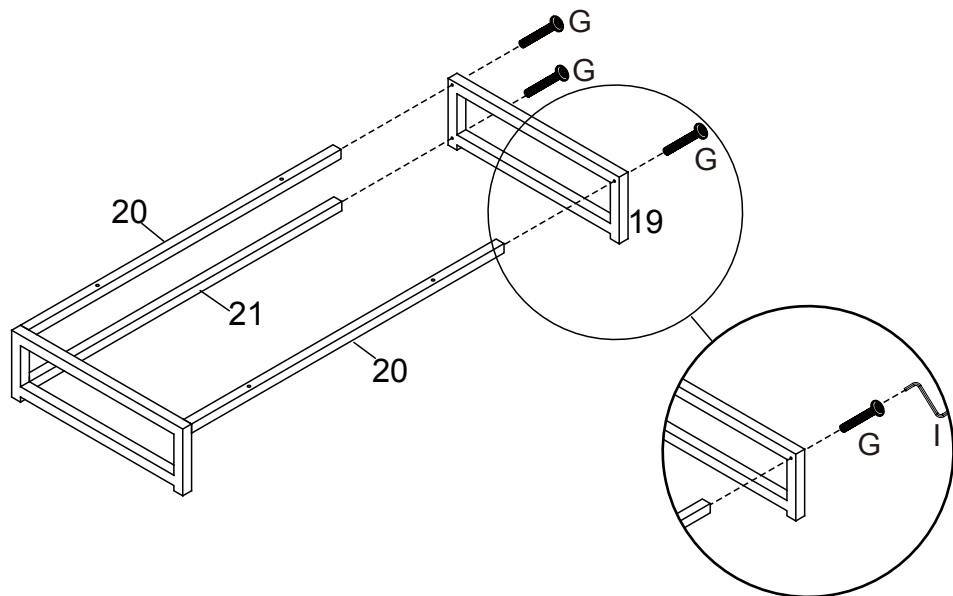
12

Attach piece 20 & 21 to piece 19 using screw (G) with tool (I).



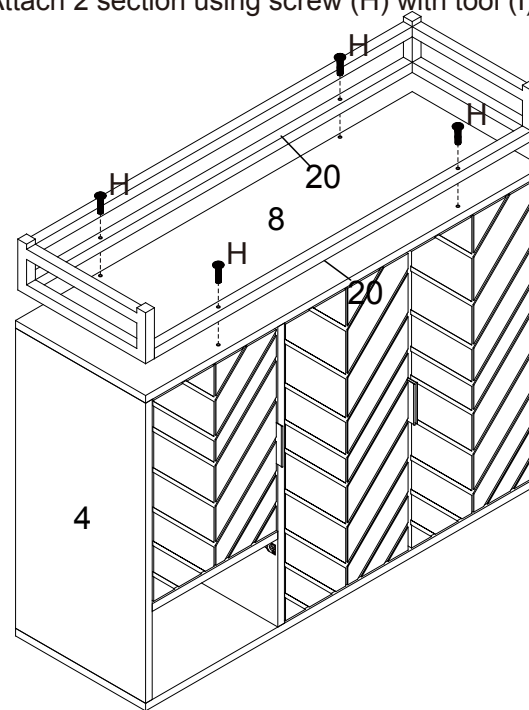
13

Attach the metal base to piece 19 using screw (G) with tool (I).



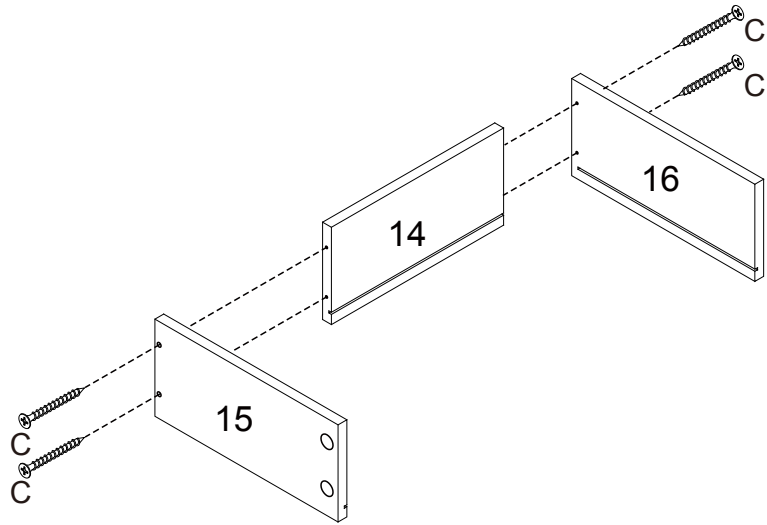
14

Attach 2 section using screw (H) with tool (I).



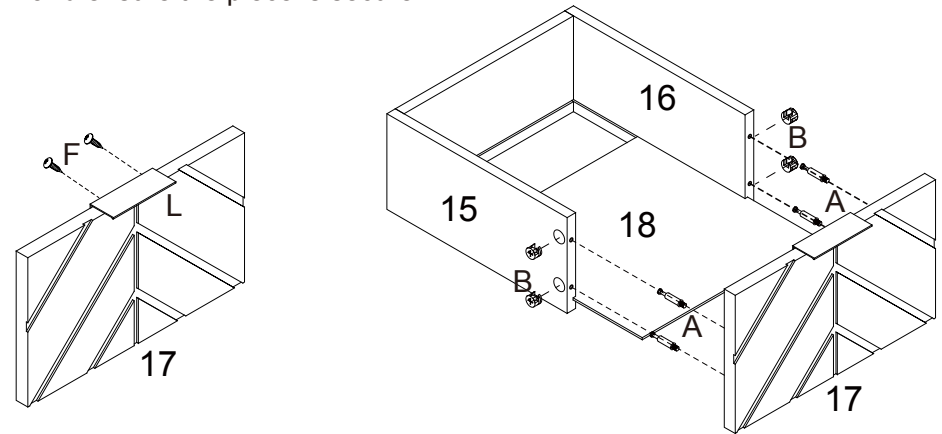
15

Attach pieces 14, 15 & 16 using screws (C). Make sure that the built-in ridge is facing inwards and at the bottom.



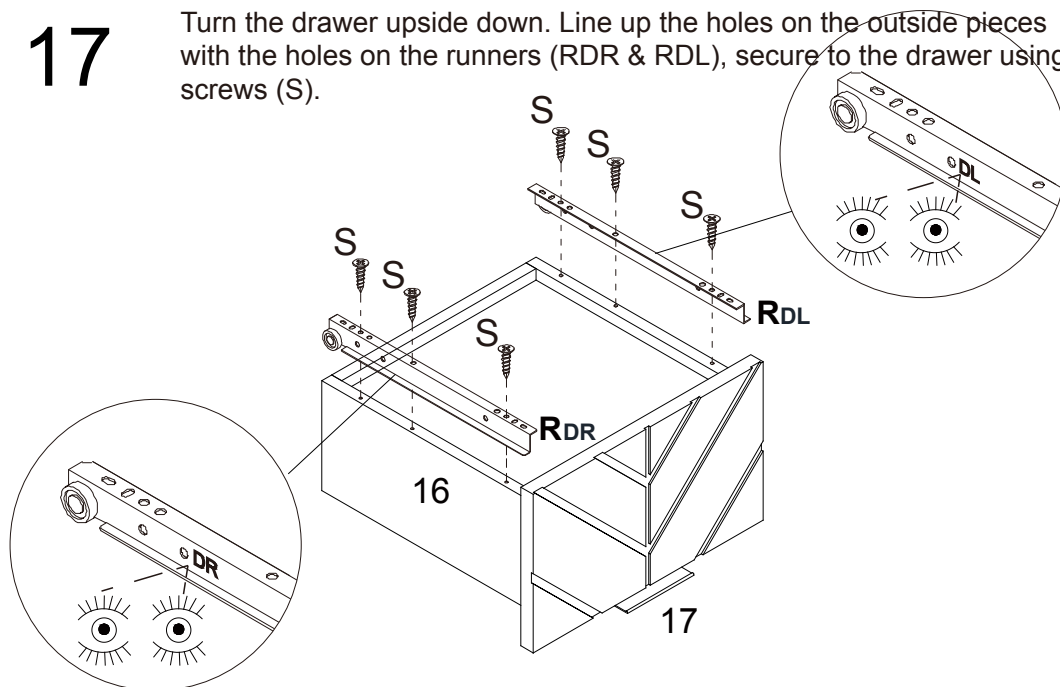
16

On piece 17, attach the door handles (L) using screws (F). Slot piece 18 into the ridges. First insert the cam locks (B) into the pre-drilled holes on parts 15 & 16. Then insert cam dowels (A) into each side, you then need to line up these screws with the pre-drilled holes on the front piece (17). Once attached, tighten the cam locks (B) using a cross-head screwdriver and ensure the piece is secure.



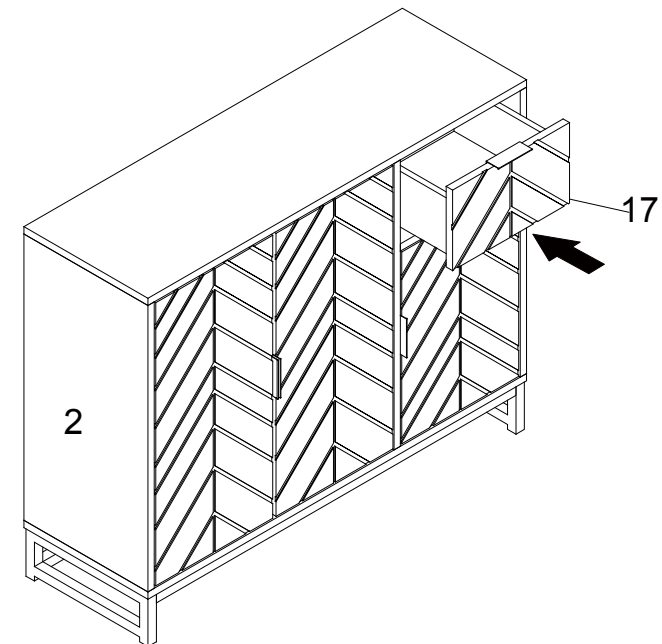
17

Turn the drawer upside down. Line up the holes on the outside pieces with the holes on the runners (RDR & RDL), secure to the drawer using screws (S).

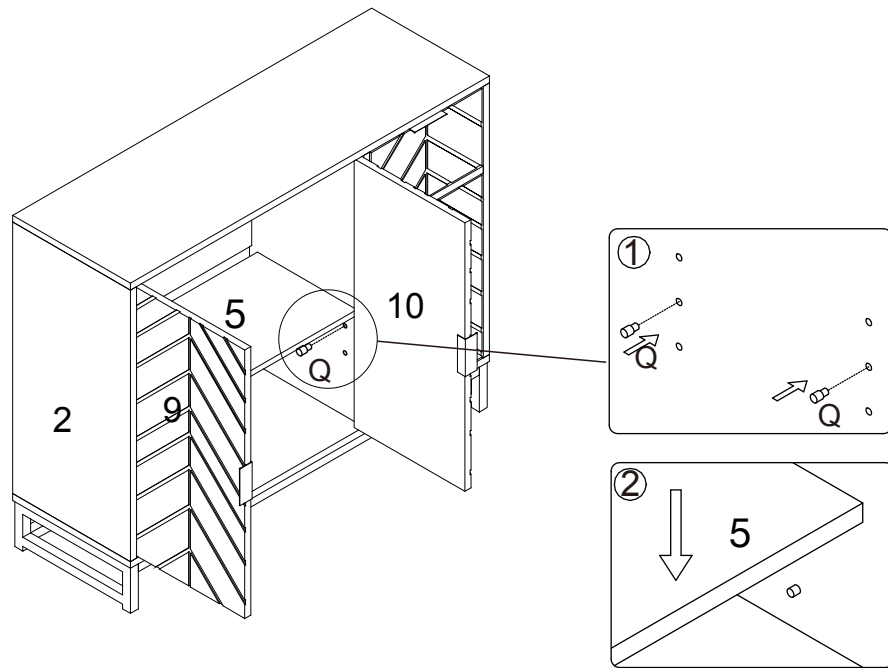


18

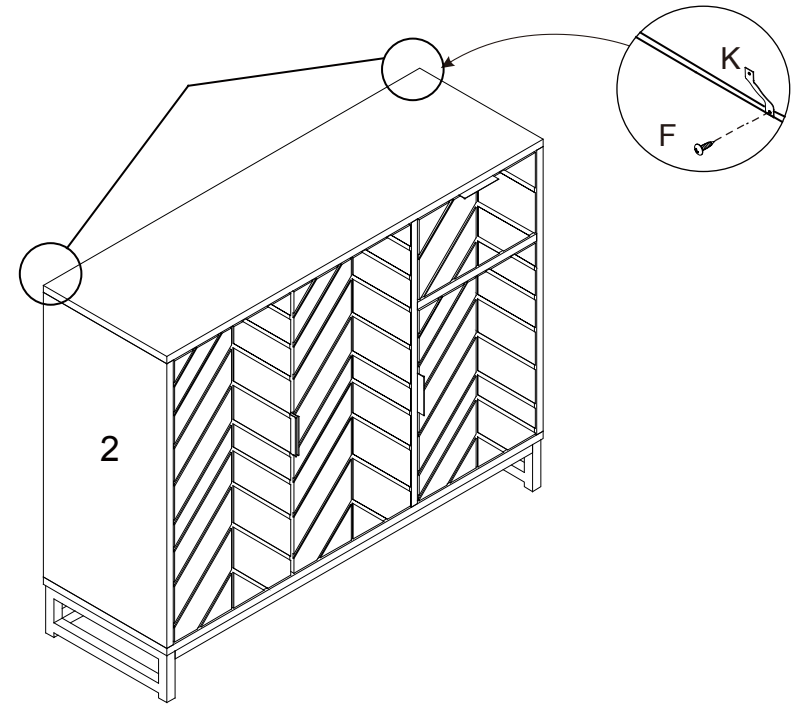
Insert the drawers.



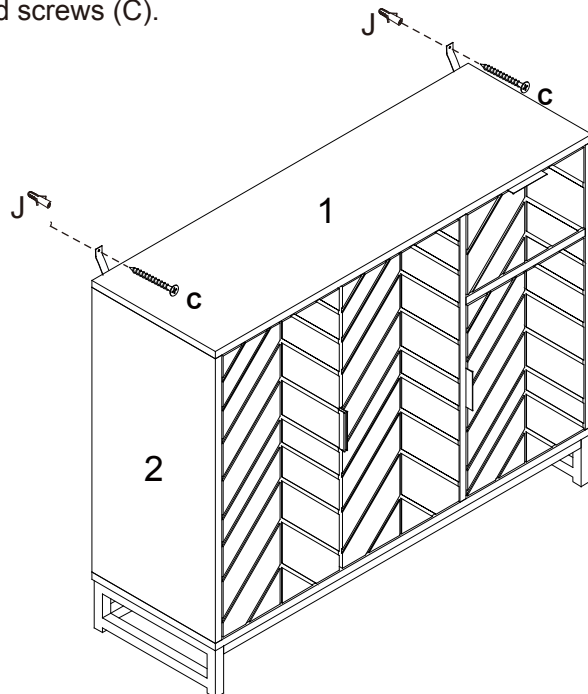
19 Put shelf support (Q) into the hole on piece 2 & 3, put the piece 5 on the shelf support.



20 Attach strip (K) using screw (F).



21 Secure the unit to a wall in your chosen location using wall plugs (J) and screws (C).



22 The unit should now be assembled and ready to use.

