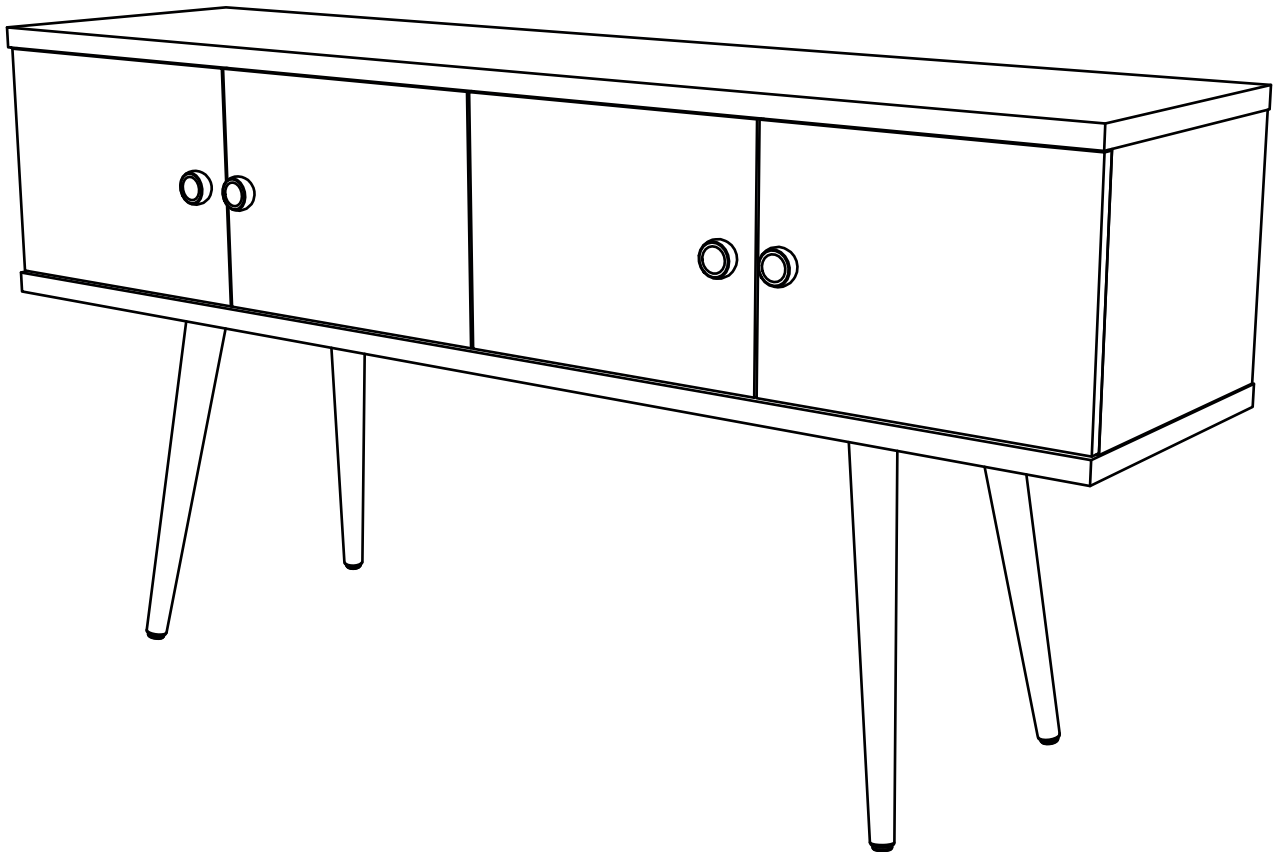




MANHATTAN  
COMFORT

## ASSEMBLY INSTRUCTIONS



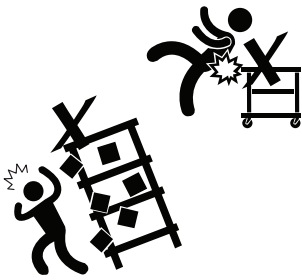
COD: 1022100

REV. 01

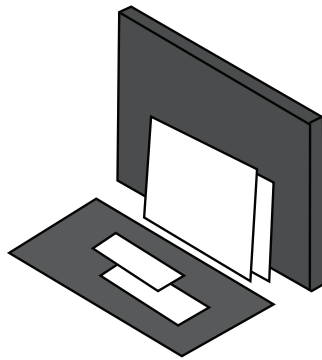
# IMPORTANT REMARKS



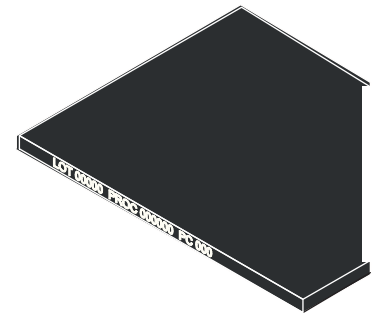
Never climb or lean on the furniture. You may suffer serious accidents.



Use the packaging to cover the assembly area and separate all parts.



Identify the parts by observing the number printed on their edges.



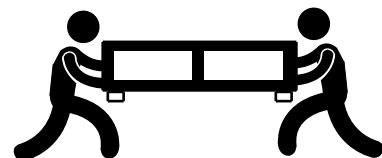
## CARE INSTRUCTIONS



Wipe clean using a damp cloth and a mild cleaner. Do not use abrasive and chemical products.



## HANDLING

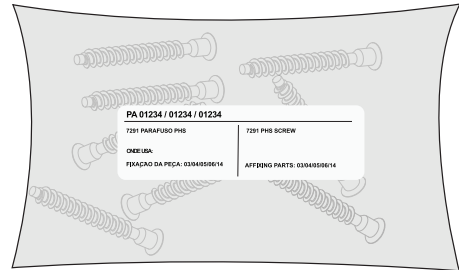


Move the piece carefully, don't drag it. Ask for someone else's help to do so.

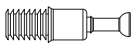
# HARDWARE



Identify and separate the hardware used in the assembly. There's a label on each package identifying the parts and where to use them.



COD. 9895-6x



A

COD. 10063-6x



B

COD. 7702-8x



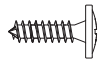
C

COD. 7519-16x



D

COD. 8056-16x



E

COD. 9842-4x



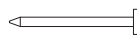
F

COD. 7531-4x



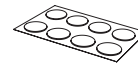
G

COD. 0357-35x



H

STICKER-6x



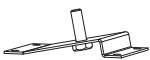
I

COD. 1668-12x



J

COD. 8471-4x



K

COD. 0338-4x



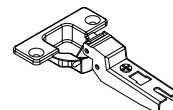
L

DOOR HANDLE-4x



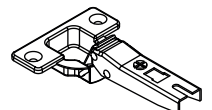
M

COD. 2510-4x



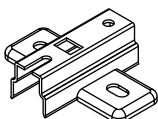
N

COD. 2511-4x

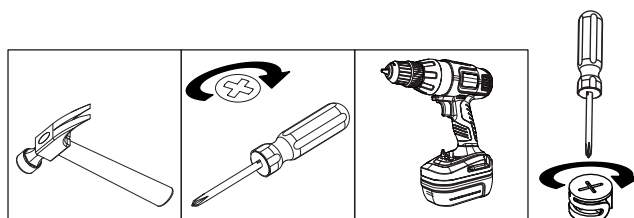


O

COD. 4462-8x



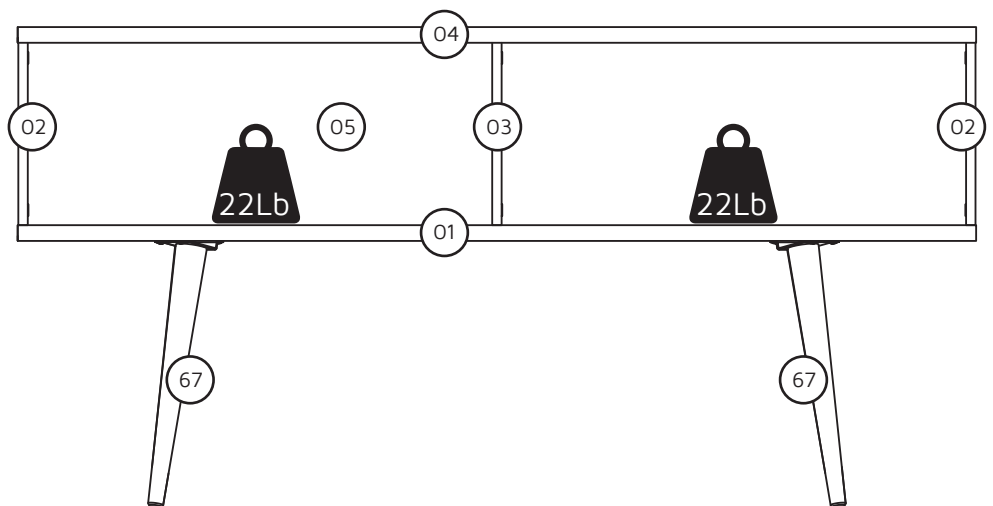
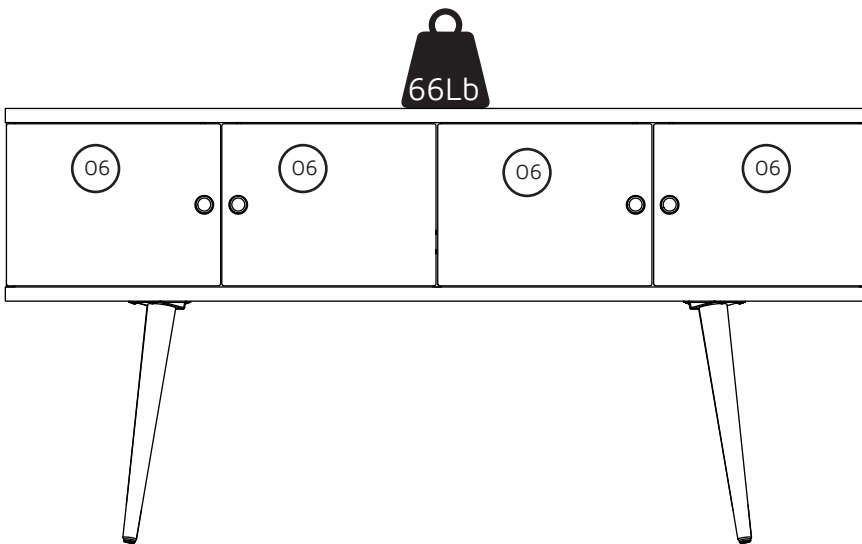
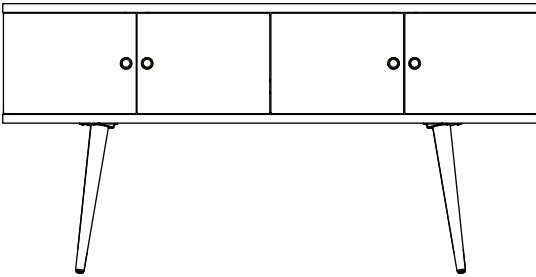
P



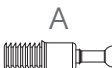





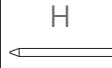
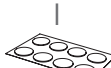




# DESCRIPTION

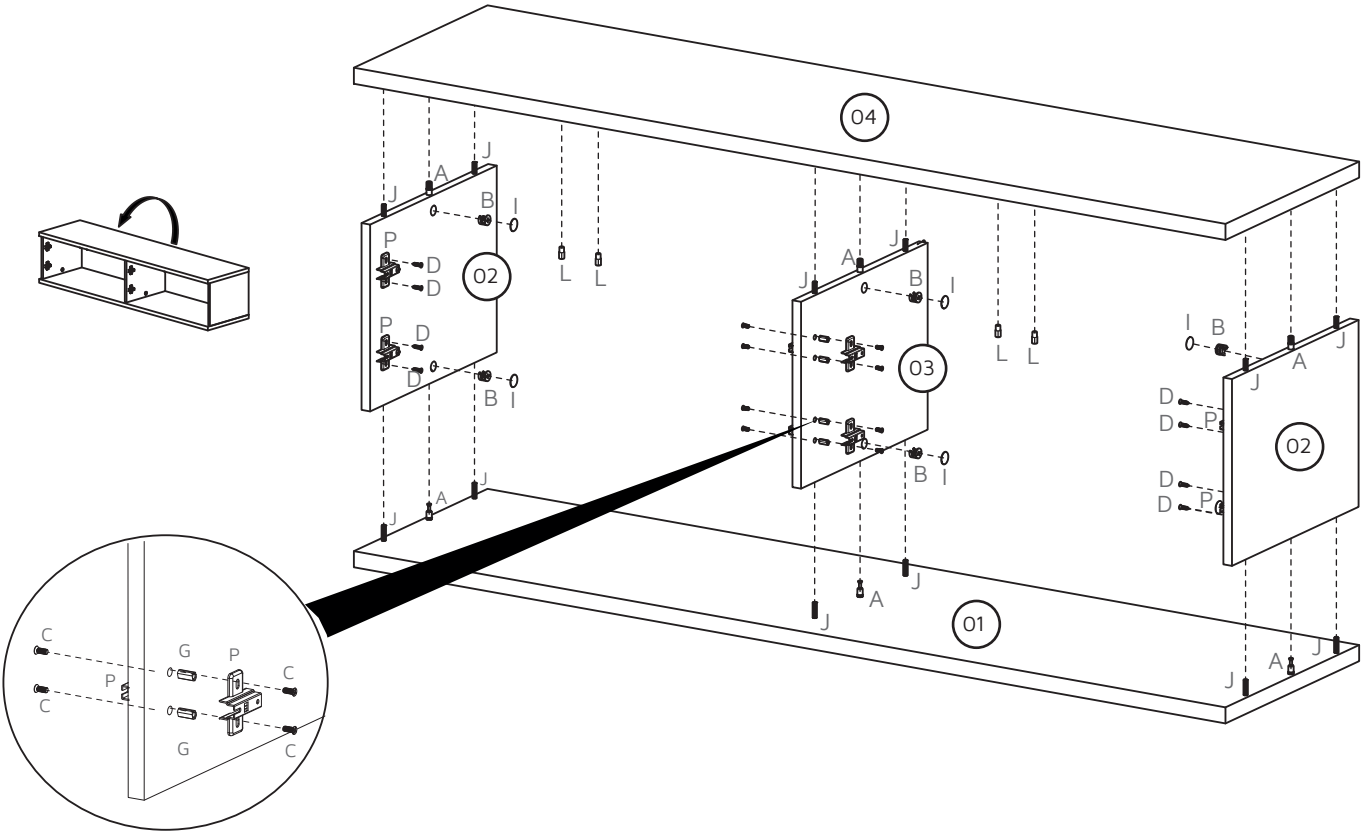
W:60 inches H:30,11 inches D: 14,84 inches  
L:1524mm A:765mm P: 377mm

CÓD:1022100			
PART	QUANTITY	DESCRIPTION	BOX
01	01	BASE	01
02	02	SIDE	01
03	01	DIVIDER	01
04	01	TOP BOARD	01
05	01	BACKPLATE	01
06	04	DOOR	01
67	04	ANGLED WOOD LEG	01

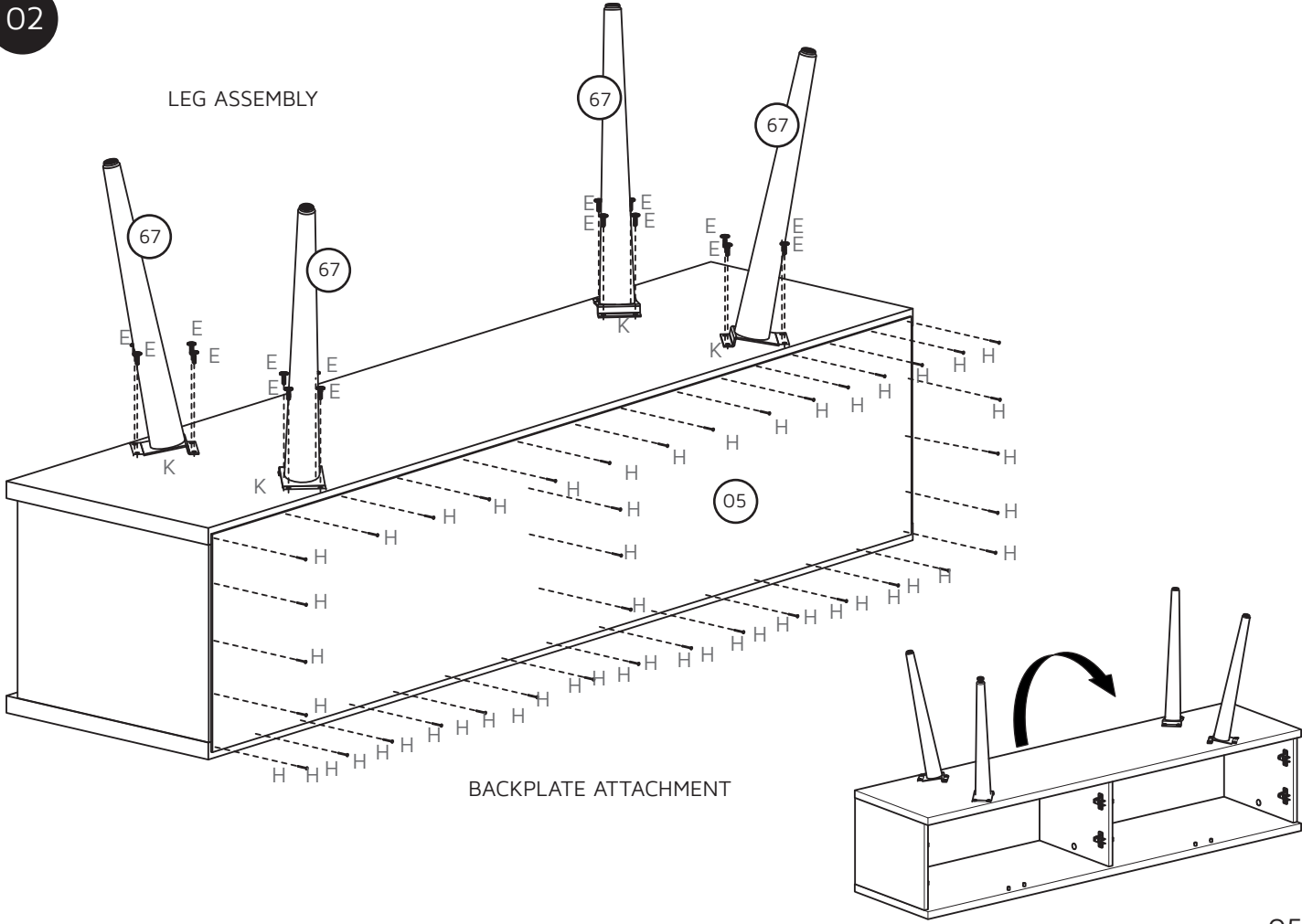


01

cod. 9895 A 	cod. 10063 B 	cod. 7702 C 	cod. 7519 D 	cod. 8056 E 	cod. 7531 G 	cod. 0357 H 	STICKER I 	cod. 1668 J 	cod. 8471 K 
								cod. 0338 L 	cod. 4462 P 

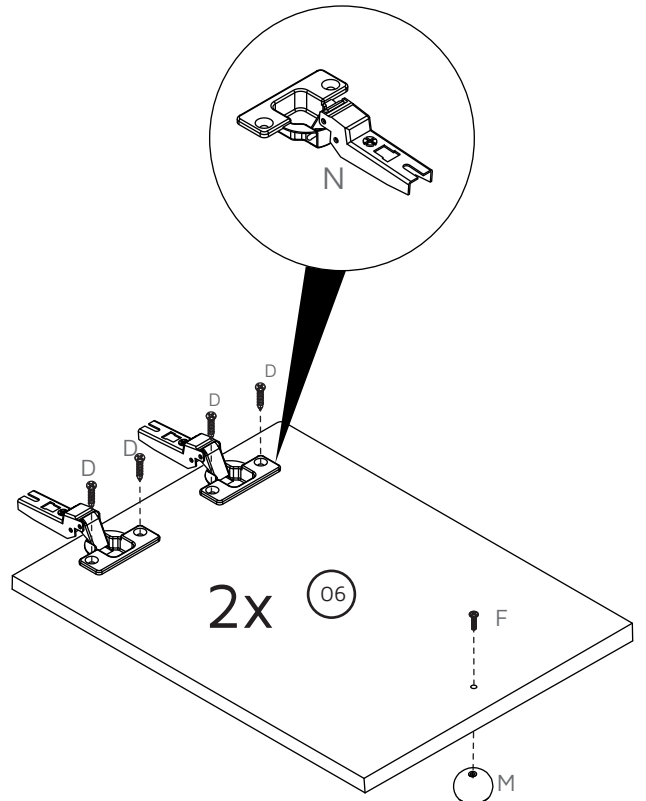
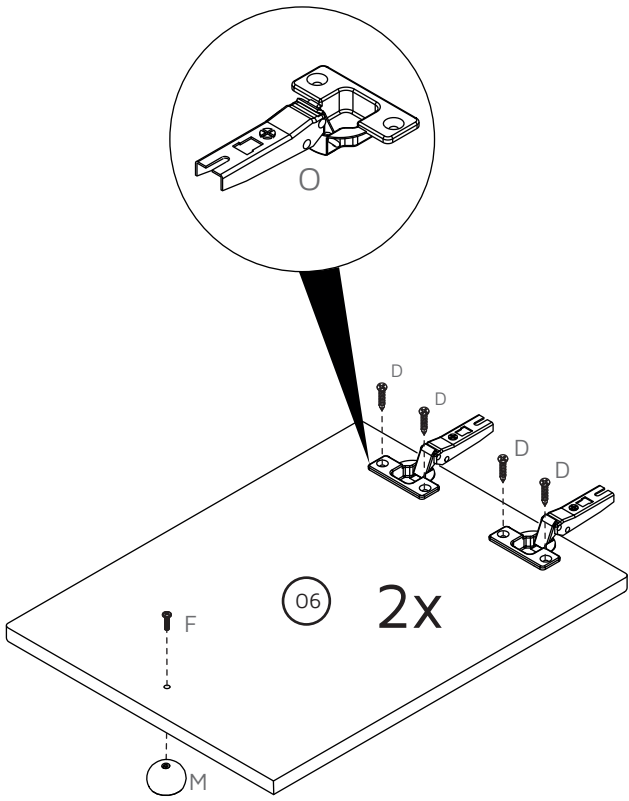


02

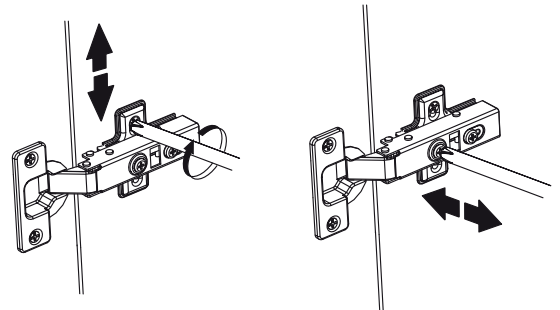


03

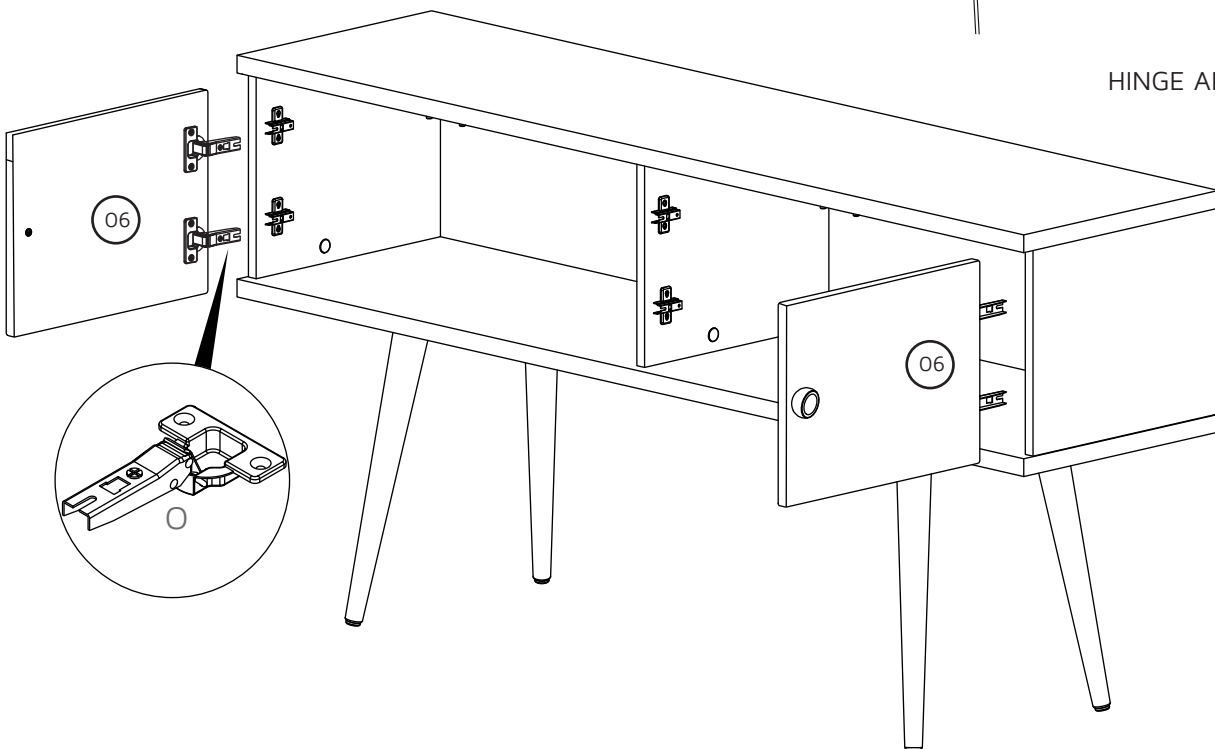
cod. 7519 D 	cod. 9842 F 	DOOR HANDLE M 	cod. 2510 N 	cod. 2511 O 
--	---	--	--	--



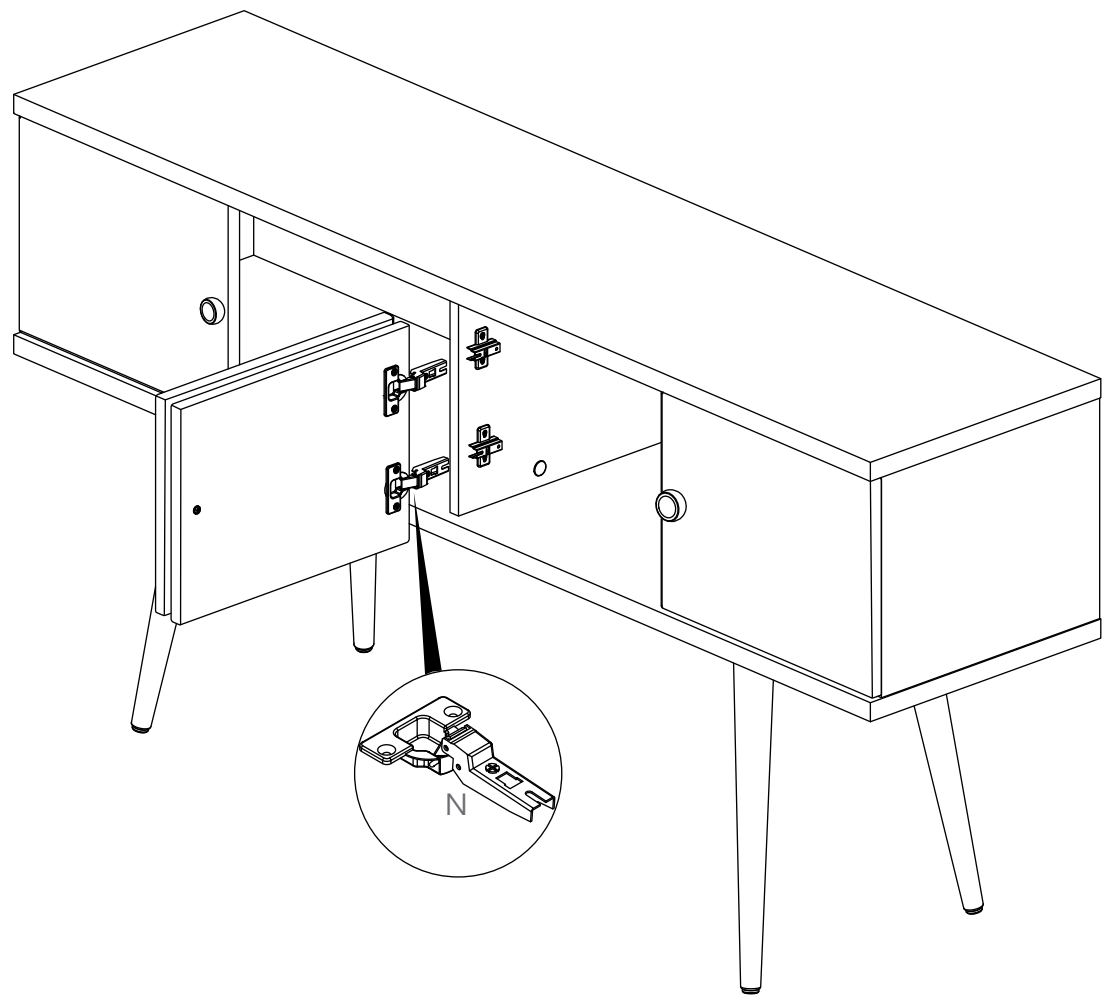
04



HINGE ADJUSTMENT



05



06



