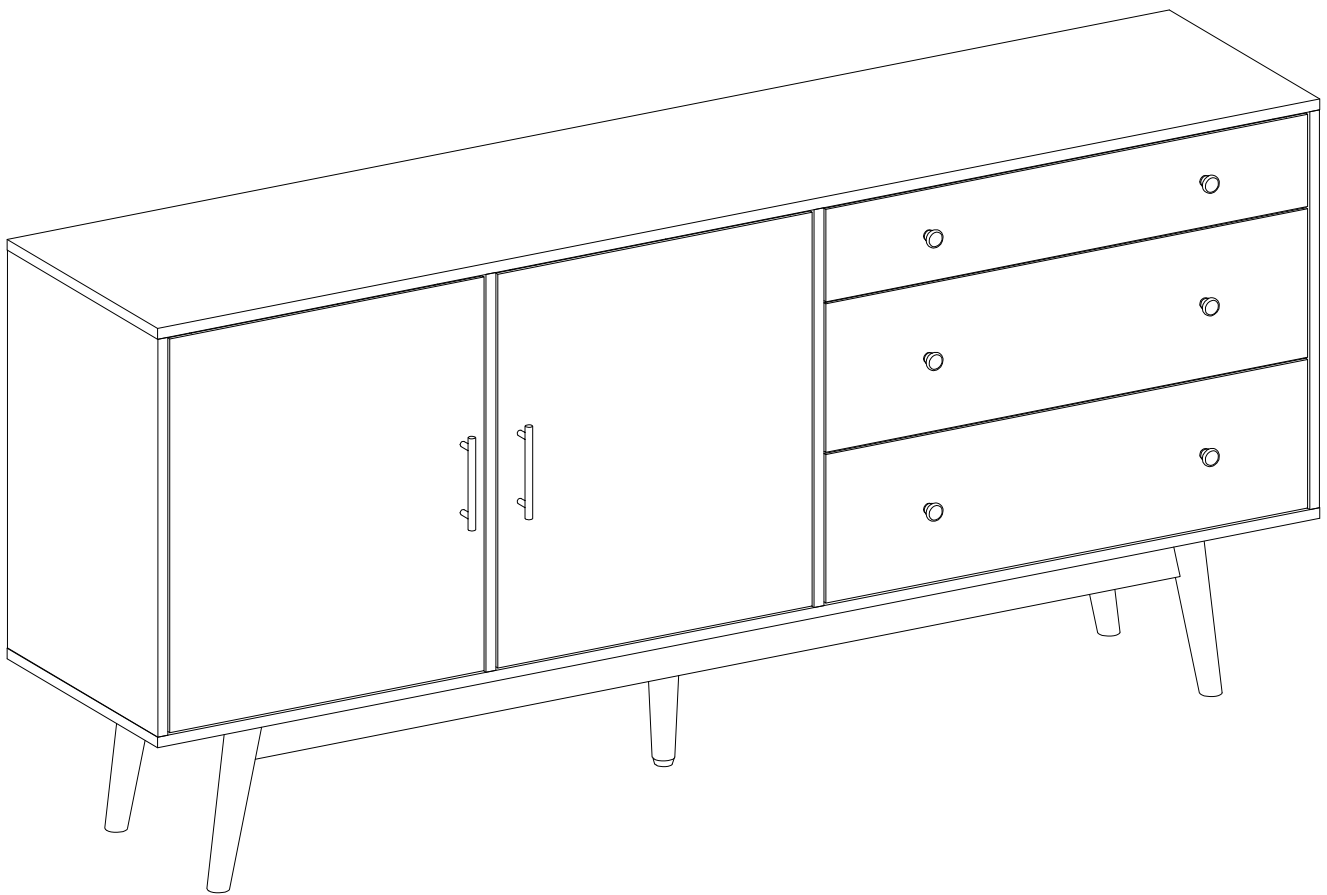


Item # : BU70MCM3D

Assembly Instructions



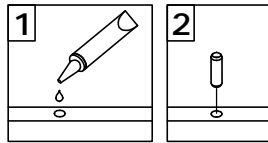
Walker Edison®

Please visit our website for the most current instructions, assembly tips, report damage, or request parts. www.walkeredison.com

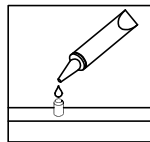
Revised 02/01/2020 (I)

General Assembly Guidelines

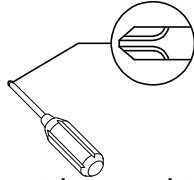
- I. Ensure that all parts and hardware are available before beginning assembly.
- II. Follow each step carefully to ensure the proper assembly of this product.
- III. Two people are recommended for ease in the assembly of this product.
- IV. The three main types of hardware used to assemble this product are: wood dowels, screws and bolts.
- V. The provided glue is to secure wood dowels in place. When first inserting dowels, locate the appropriate hole for the dowel, place a small amount of glue in the hole and insert the dowel. Wipe away excess glue immediately.



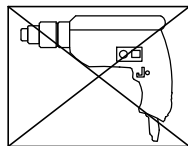
In future assembly steps when dowels are necessary to attach assembly parts together, place a small amount of glue on the end of the dowel before attaching parts together. Wipe away excess glue immediately.



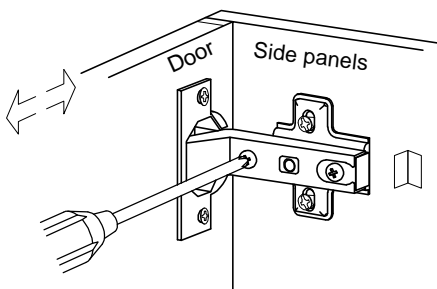
- VI. A Phillips head screwdriver is required for the assembly of this product.



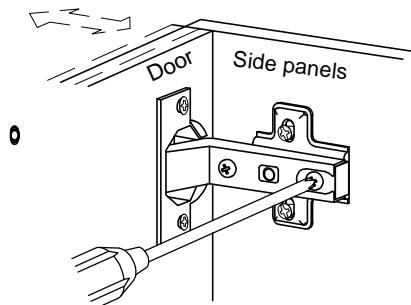
- VII. Power tools should not be used to assemble this product.



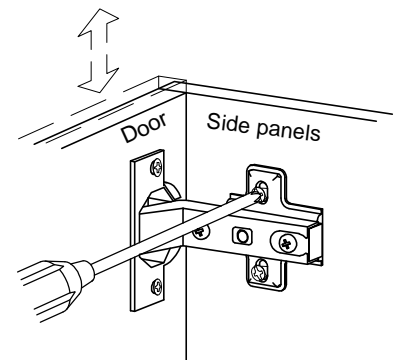
- VIII. Drill may be needed for securing product to wall.
- IX. Concealed hinges are three-way adjustable.



Horizontal
by screw adjustment

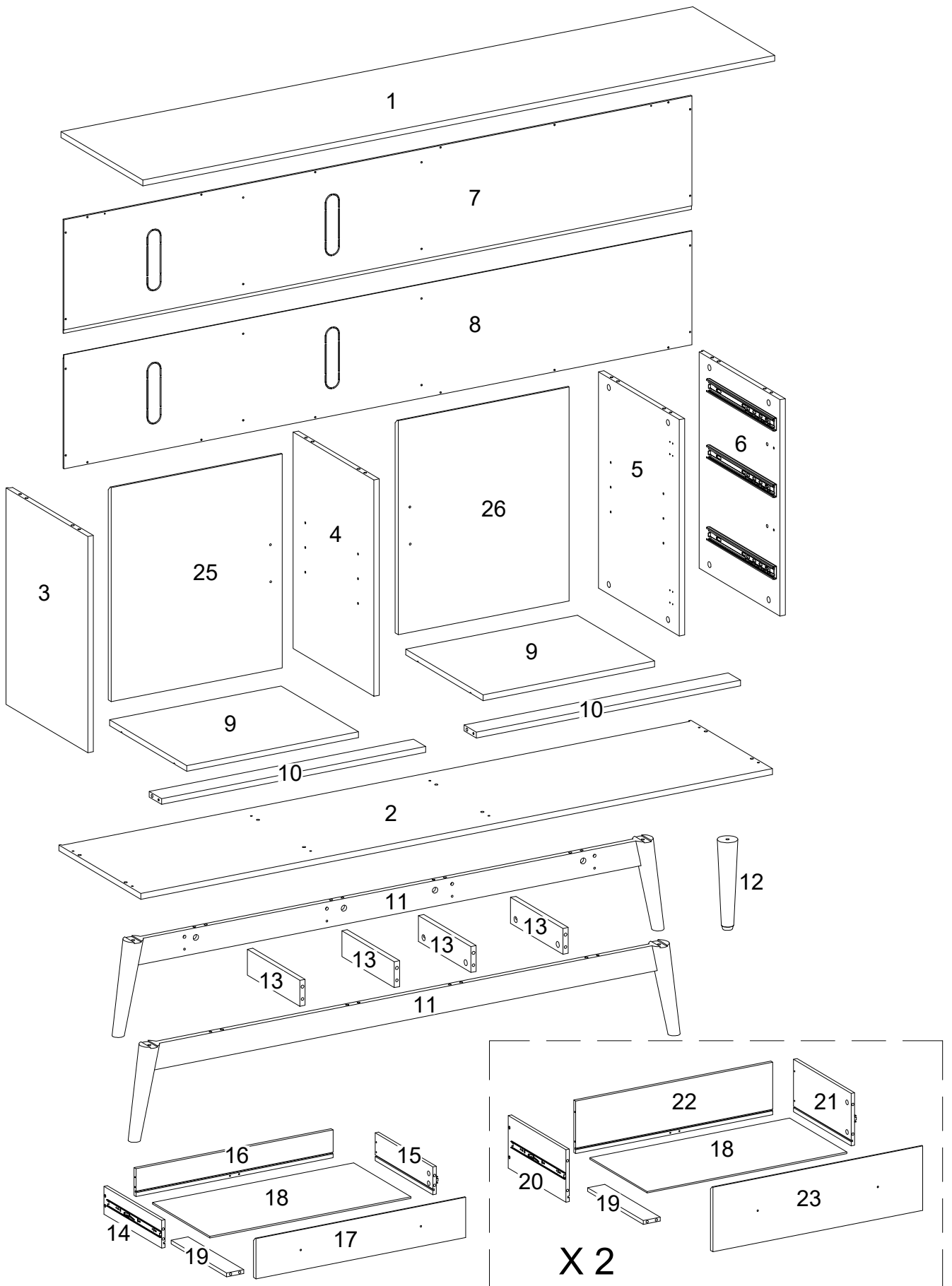


In-and-Out
by loosening the hinge-arm
mounting screw or via cam
adjustment












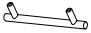




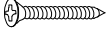
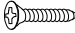
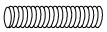


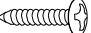
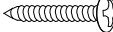


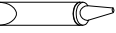




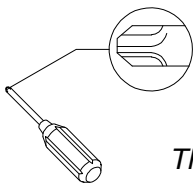
Vertical
Via slots in the mounting
plate or via cam adjustment

Parts List



Hardware List

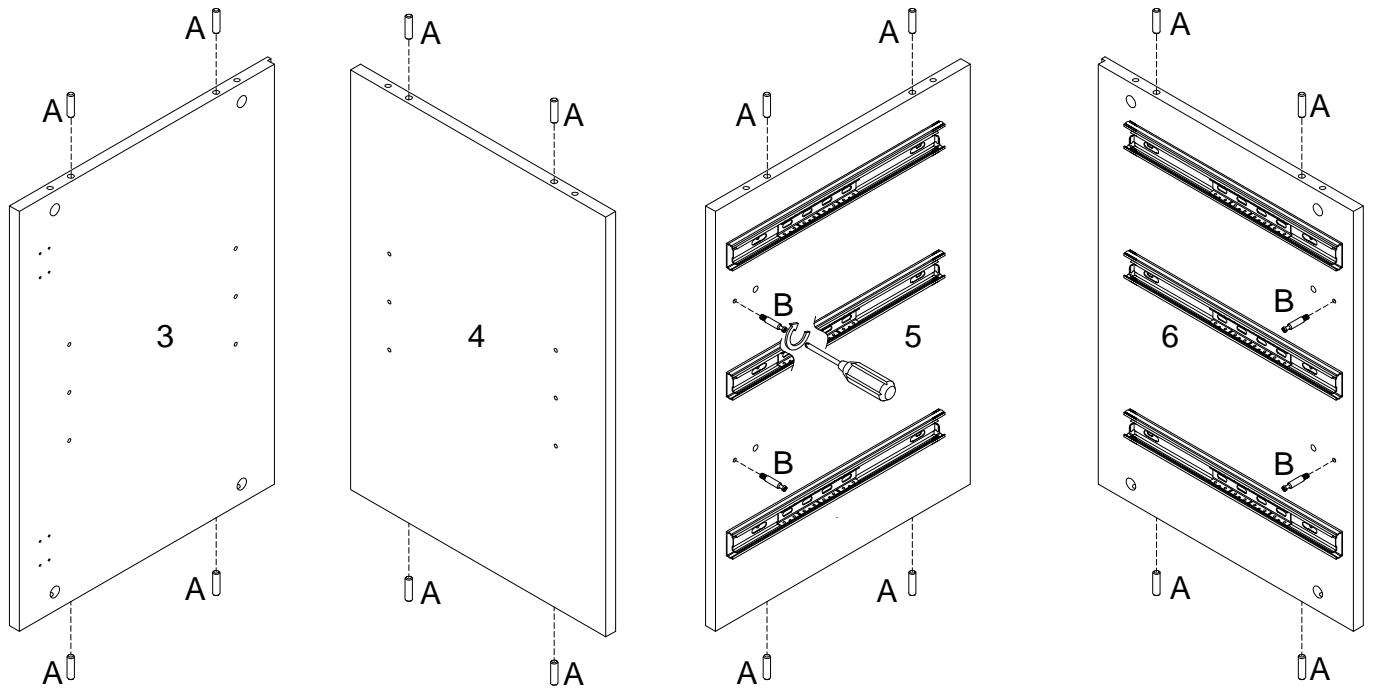
A		Ø8x30mm	Wooden dowel	36	pcs
B		Ø6x32mm	Cam bolt	48	pcs
C		Ø15x9mm	Cam lock	51	pcs
D			Sticker	51	pcs
E		Ø6x15mm	Bolt	8	pcs
F		Ø6x30mm	Bolt	4	pcs
G			Flat washer	12	pcs
H			Lock washer	12	pcs
J			Plate	4	pcs
K			Shelf support pin	8	pcs
L		Ø4x18mm	Handle Bolt	10	pcs
M			Handle	2	pcs
N			Handle	6	pcs
P			Europe hinge	4	pcs
Q		Ø4x12mm	Bolt	24	pcs
R			Screw	28	pcs
S		Ø4x25mm	Screw	18	pcs
T		Ø3x15mm	Screw	4	pcs
U		Ø6x30mm	Bolt	1	pc
V		M 4	Hex Key	1	pc
W			Door stopper	2	pcs
X		Ø3x16mm	Screw	2	pcs
Y		Ø4x25mm	Screw	2	pcs
Z			Plastic strap	2	pcs
AA			Nut	2	pcs
BB			Glue tube	1	pc
CC		Ø6x30mm	Wooden dowel	3	pcs
DD		Ø6x35mm	Cam bolt	3	pcs



Philips head screwdriver required for assembly
(not included)

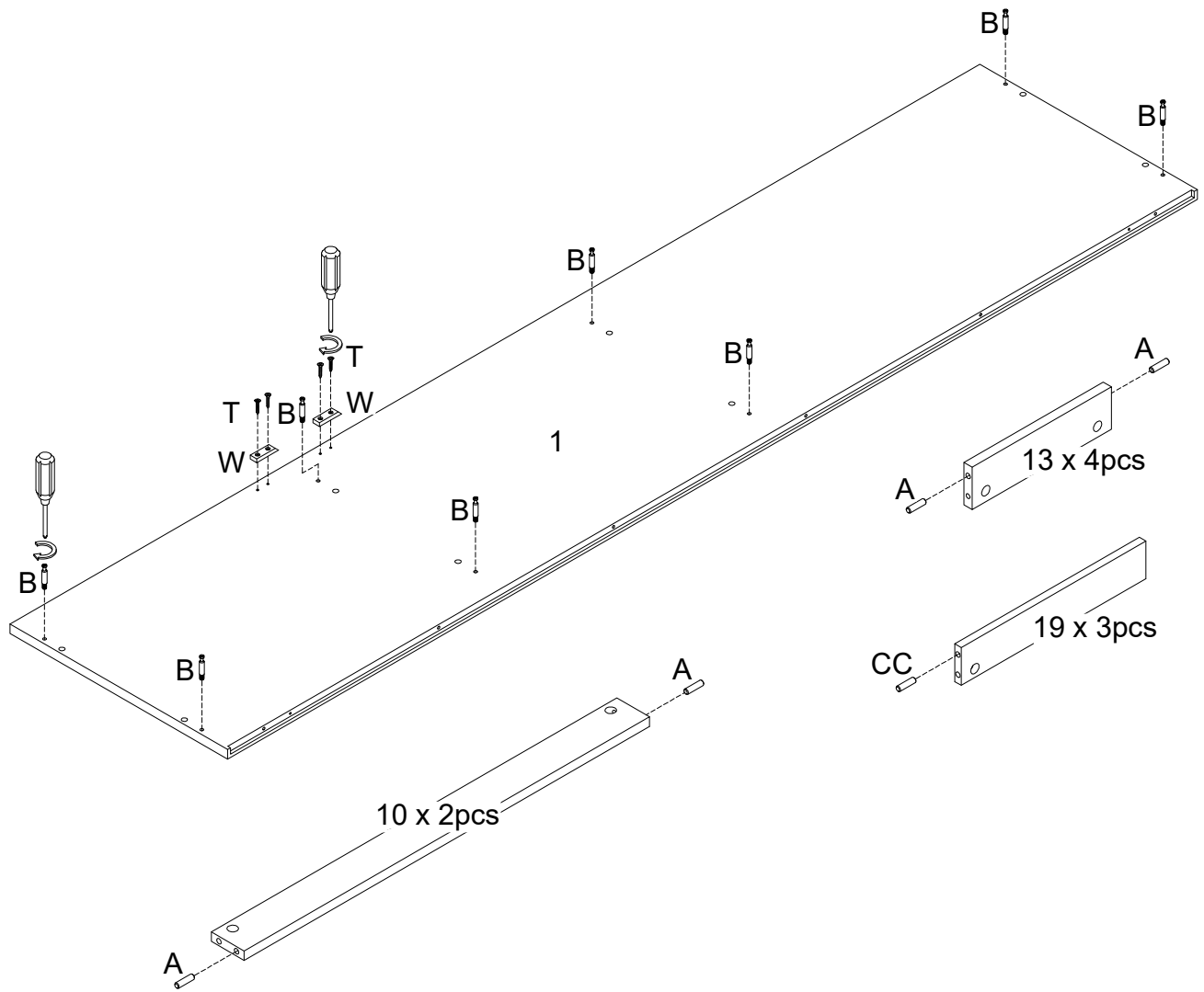
*The hardware quantities listed above are required for proper assembly.
Some extra hardware may also have been included.*

Step 1



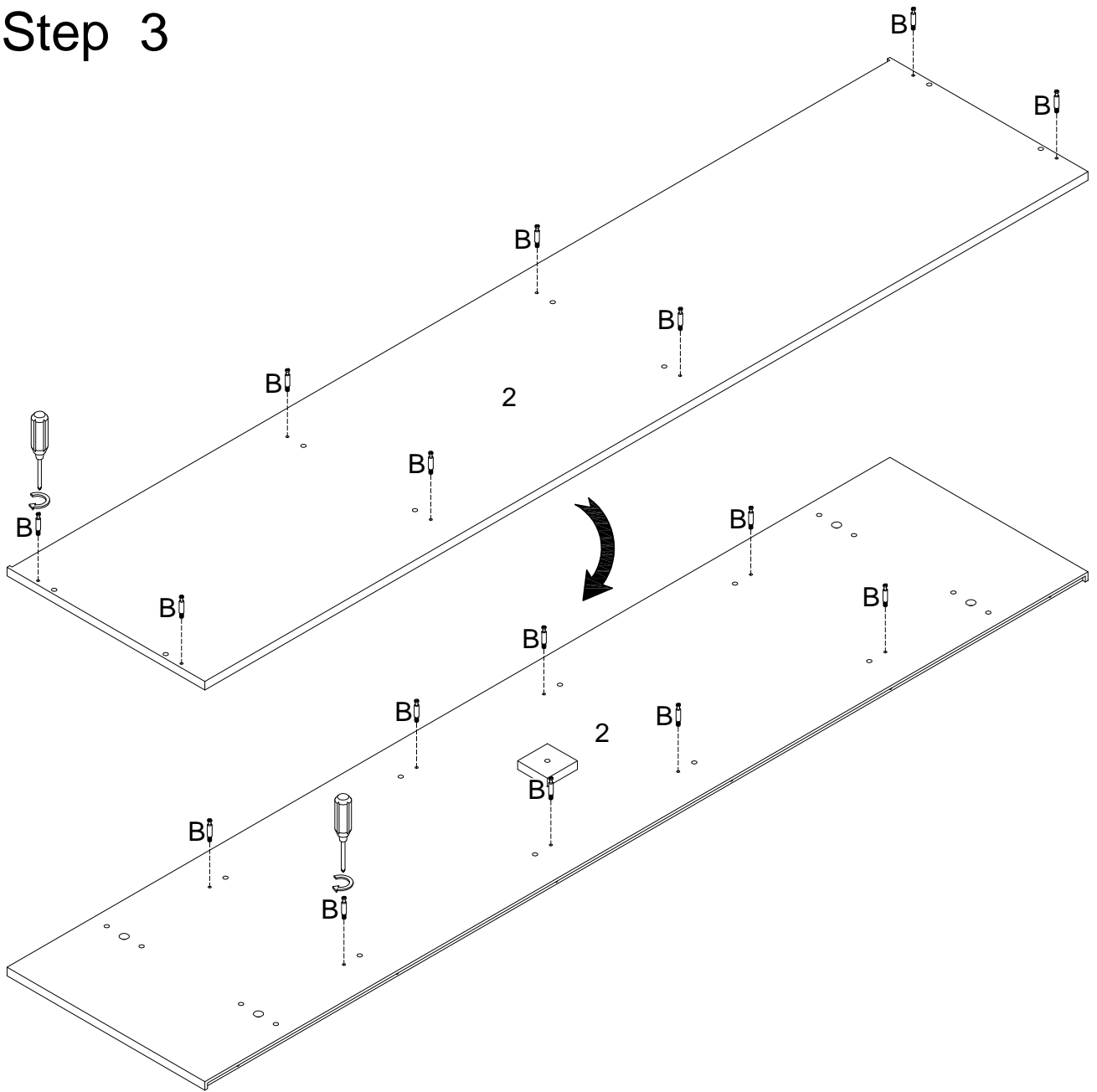
Insert wooden dowel (A) into parts (3,4,5,6) ,then secure cam bolt (B) to parts(5,6) as per diagram.

Step 2



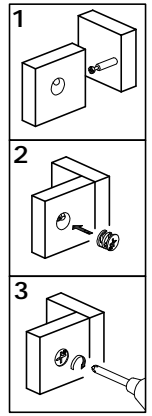
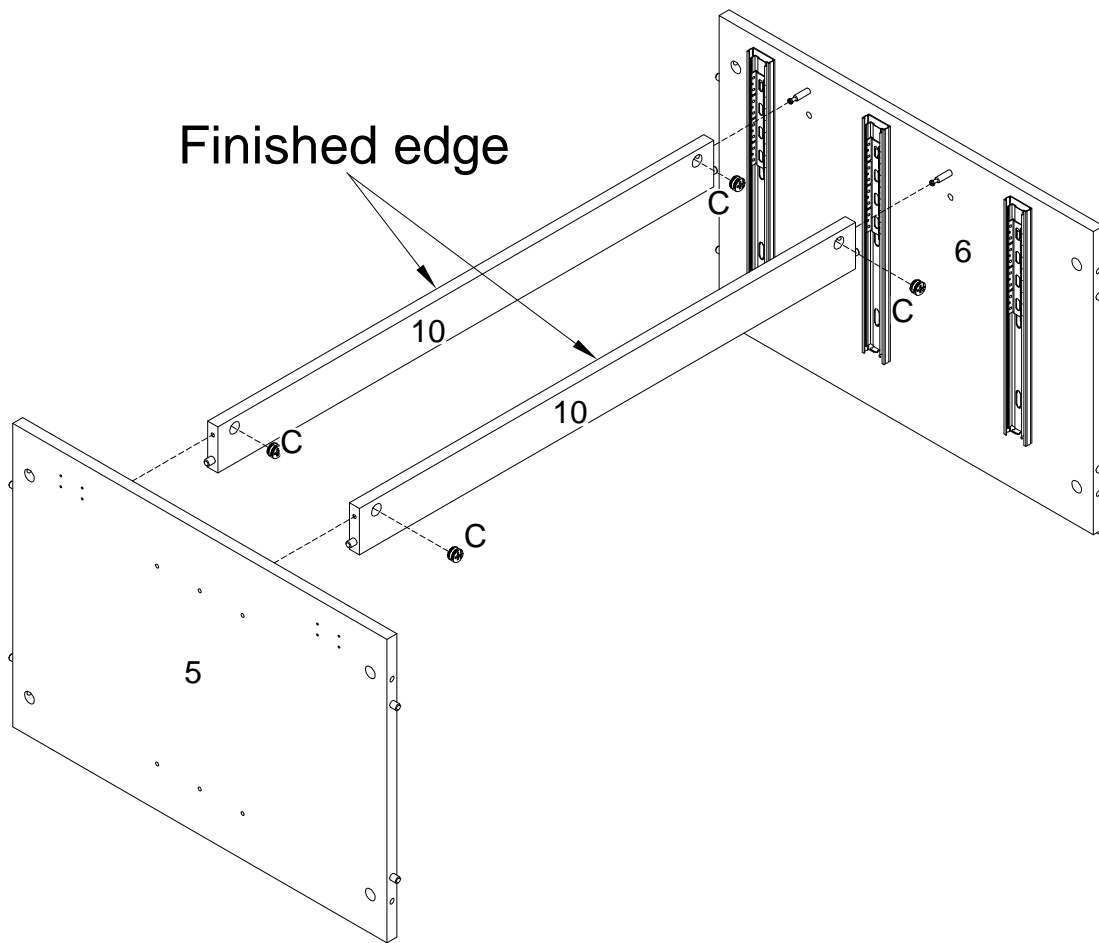
Insert wooden dowel (A) to parts (10,13) , wooden dowel (CC)to part (19) ,then secure cam bolt (B) into part (1) , then using screw (T) attach door stopper (W) to part (1) with Philips head screwdriver as per diagram.

Step 3



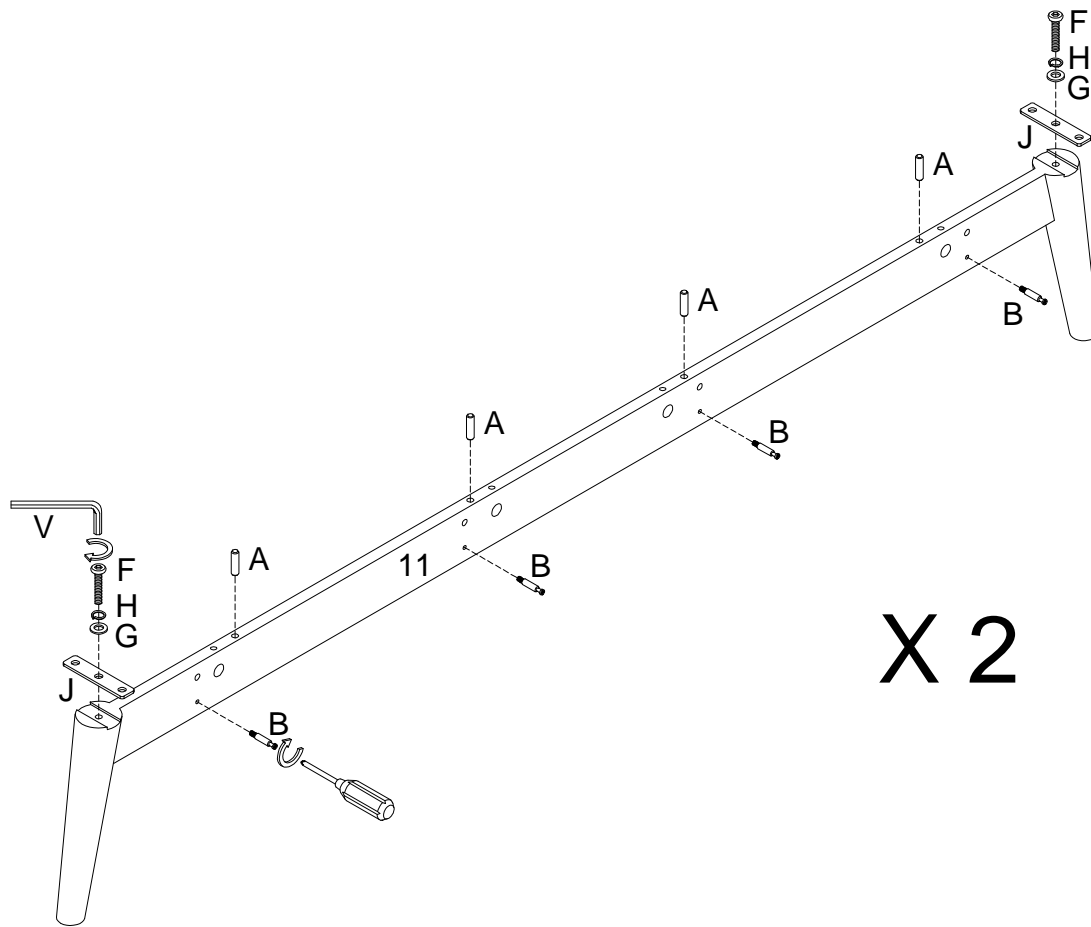
Secure cam bolt (B) into part (2) with Philips head screwdriver as per diagram.

Step 4



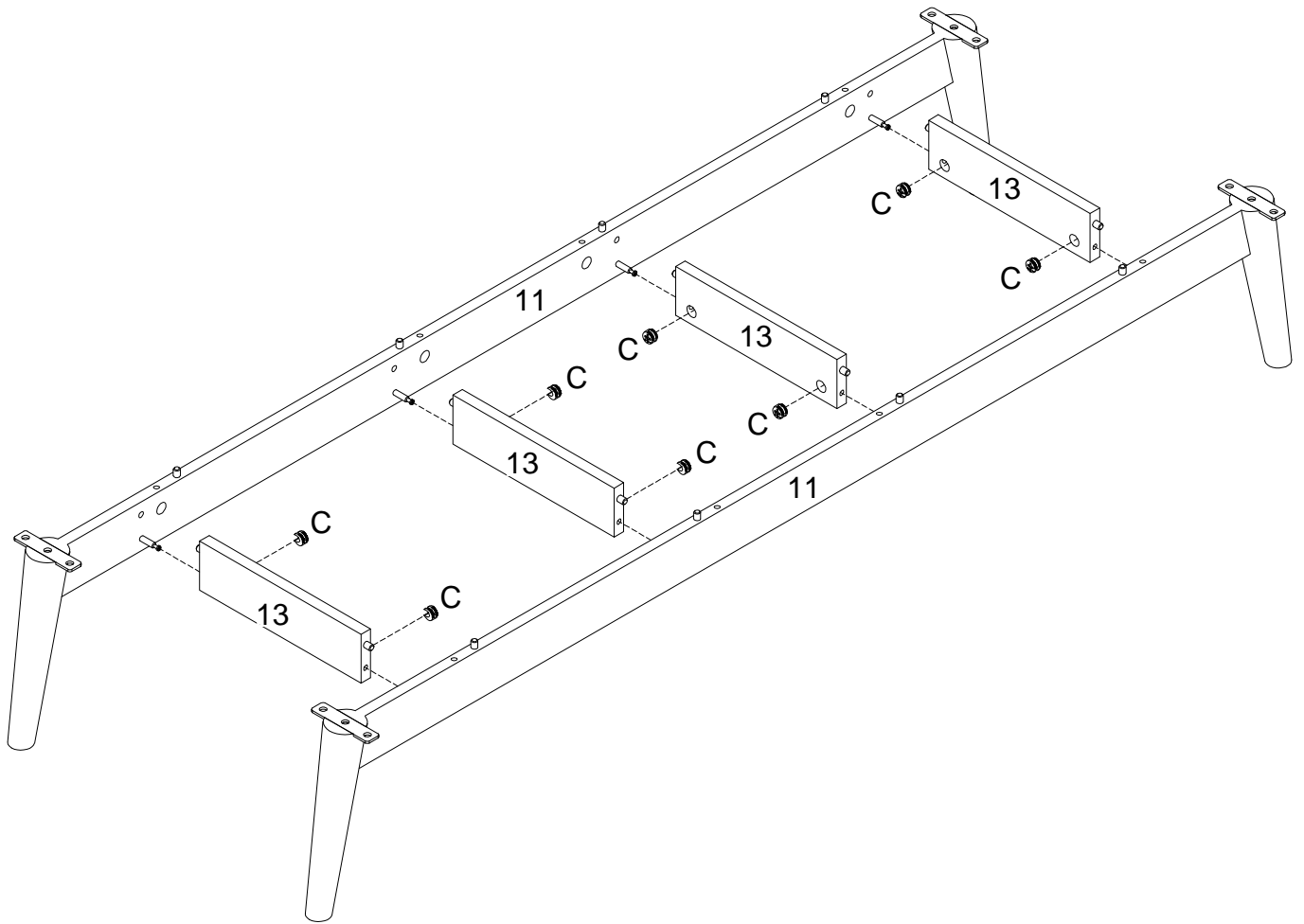
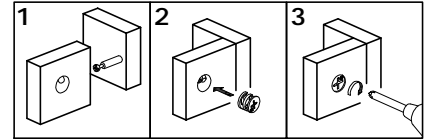
Using cam lock(C) attach parts (5,6) to part (10) with Philips head screwdriver as per diagram.

Step 5



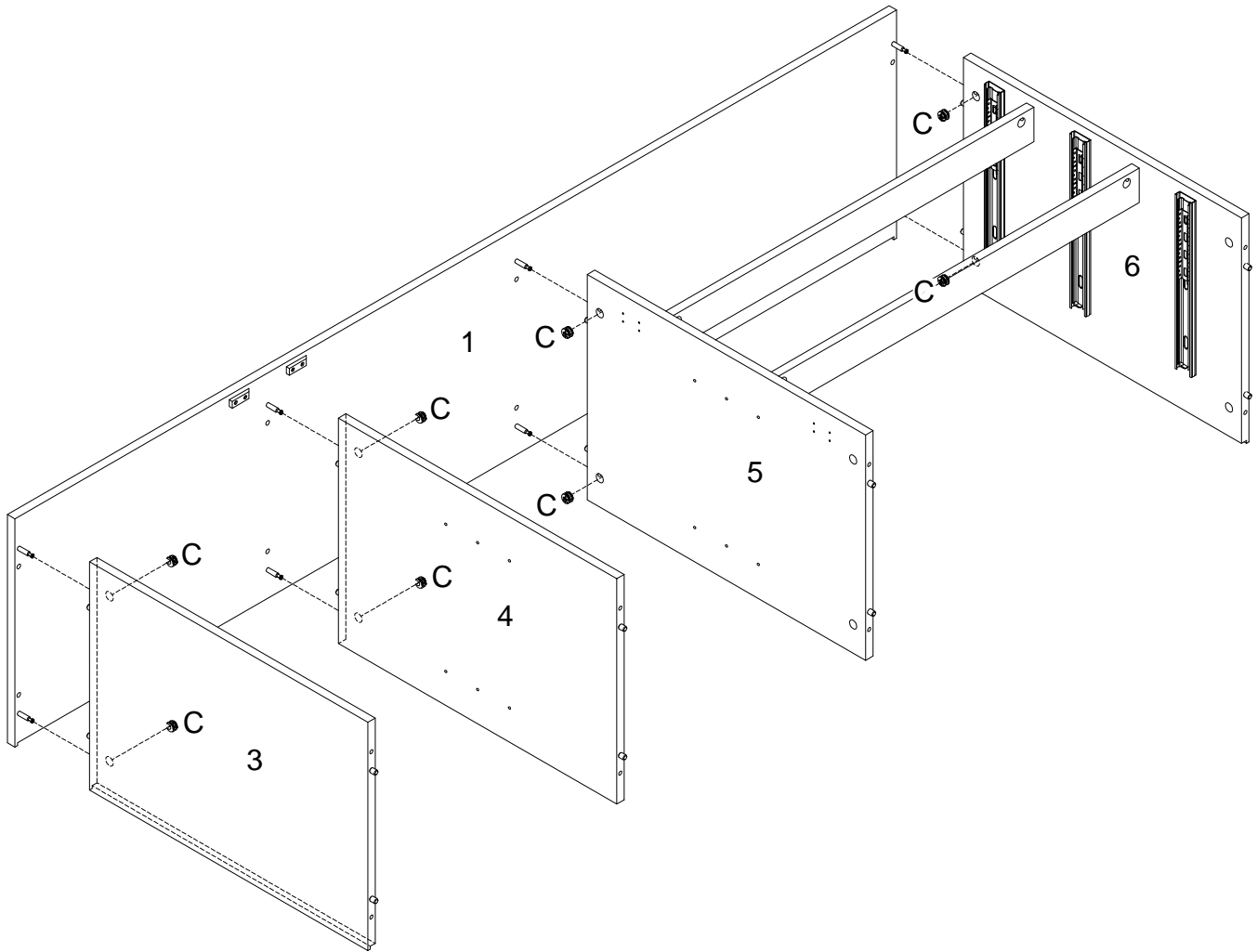
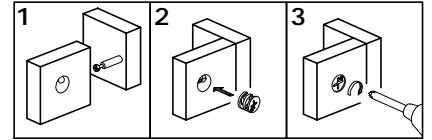
Insert wooden dowel (A) into part (11) ,secure cam bolt (B) into parts (11) with Philips head screwdriver ,then using bolt (F) with lock washer (H),flat washer (G)secure plate (J) to part (11) with hex key (V) as per diagram.

Step 6



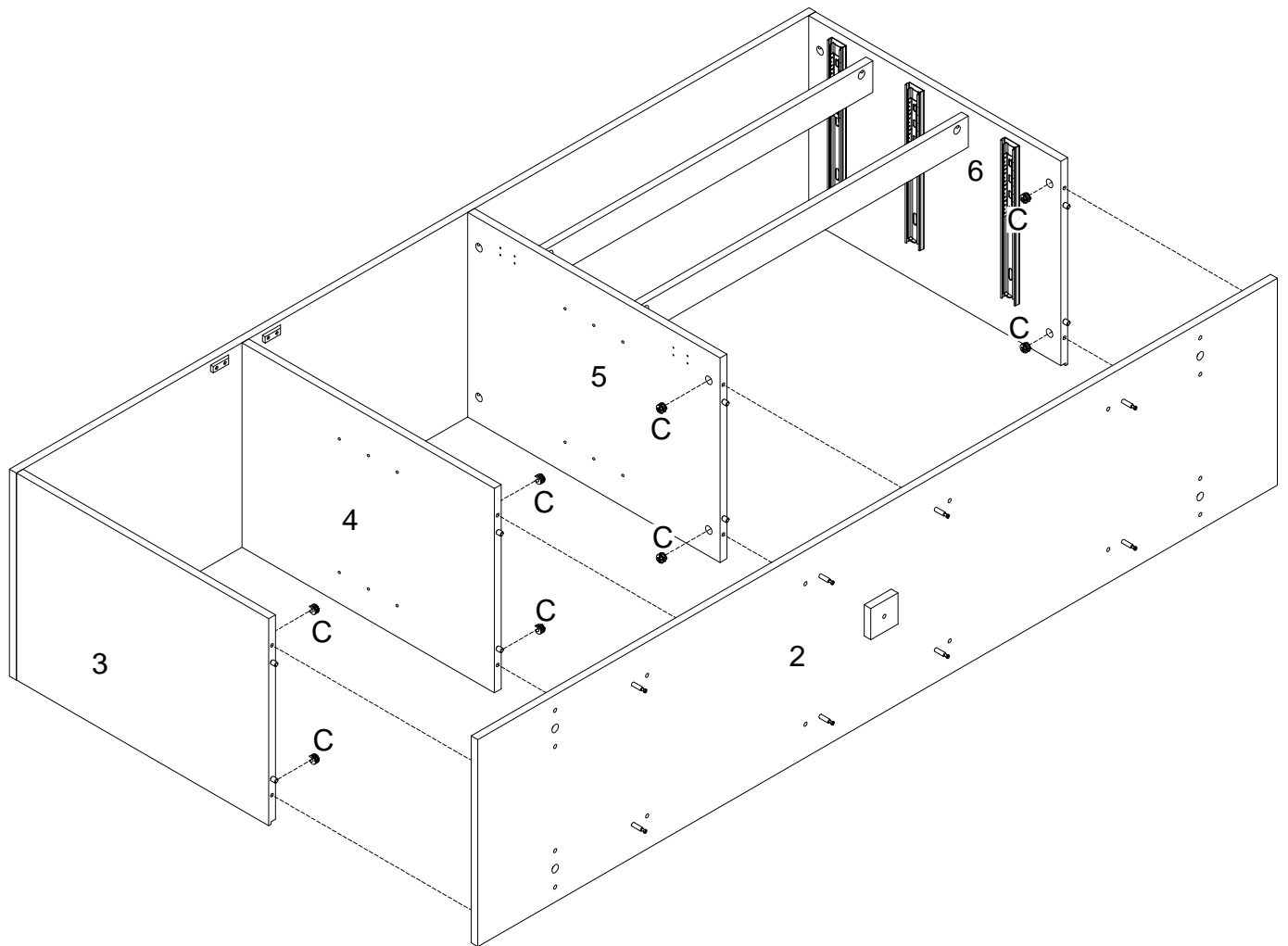
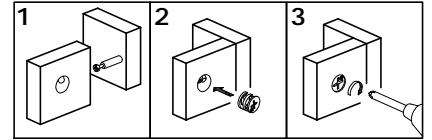
Using cam lock(C) secure parts (13) to part (11) with Philips head screwdriver as per diagram.

Step 7



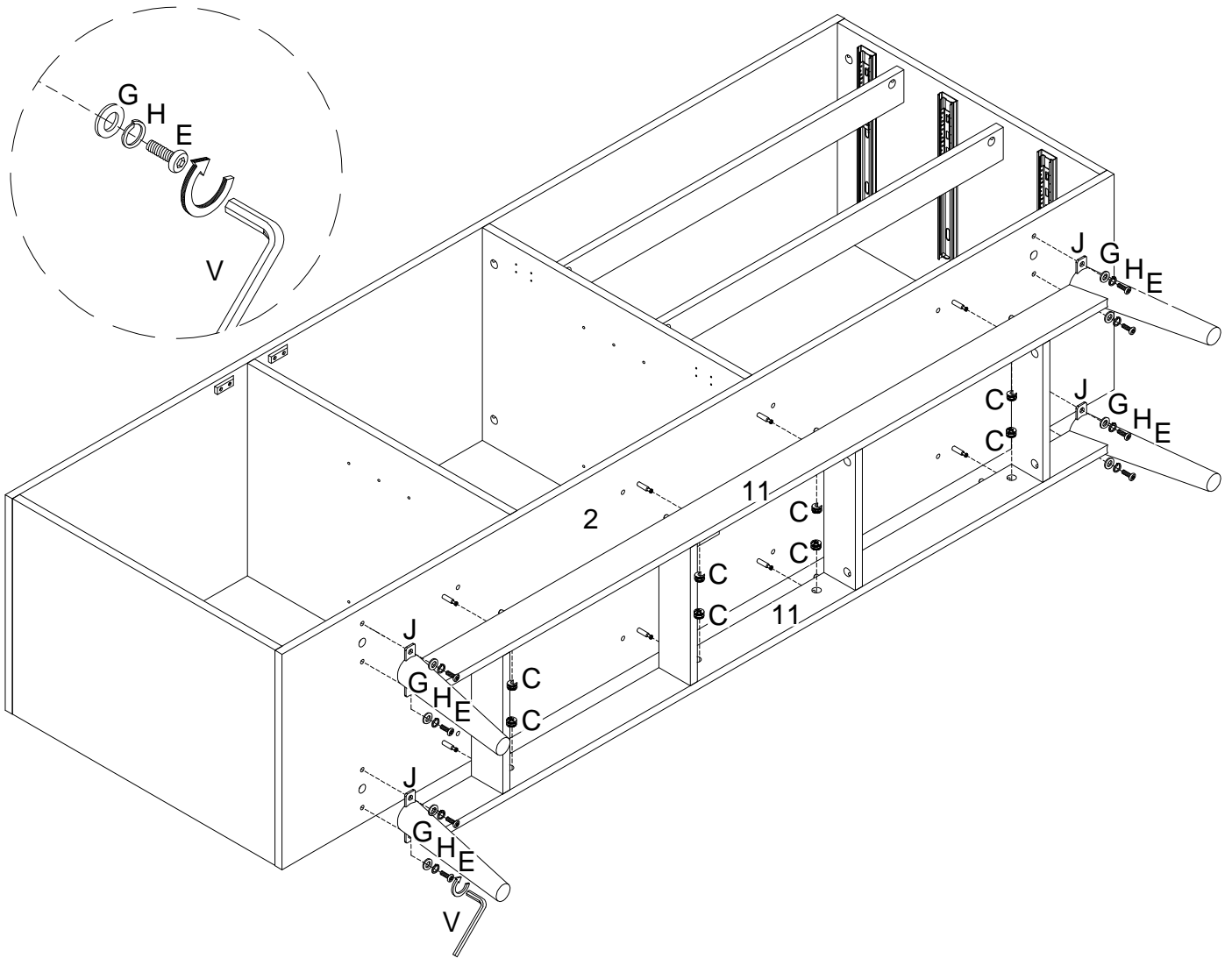
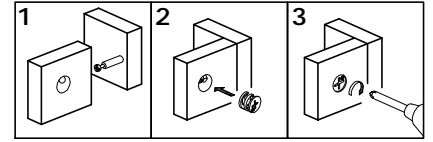
Using cam lock(C) secure part (1) to parts (3,4,5,6)with Philips head screwdriver as per diagram.

Step 8



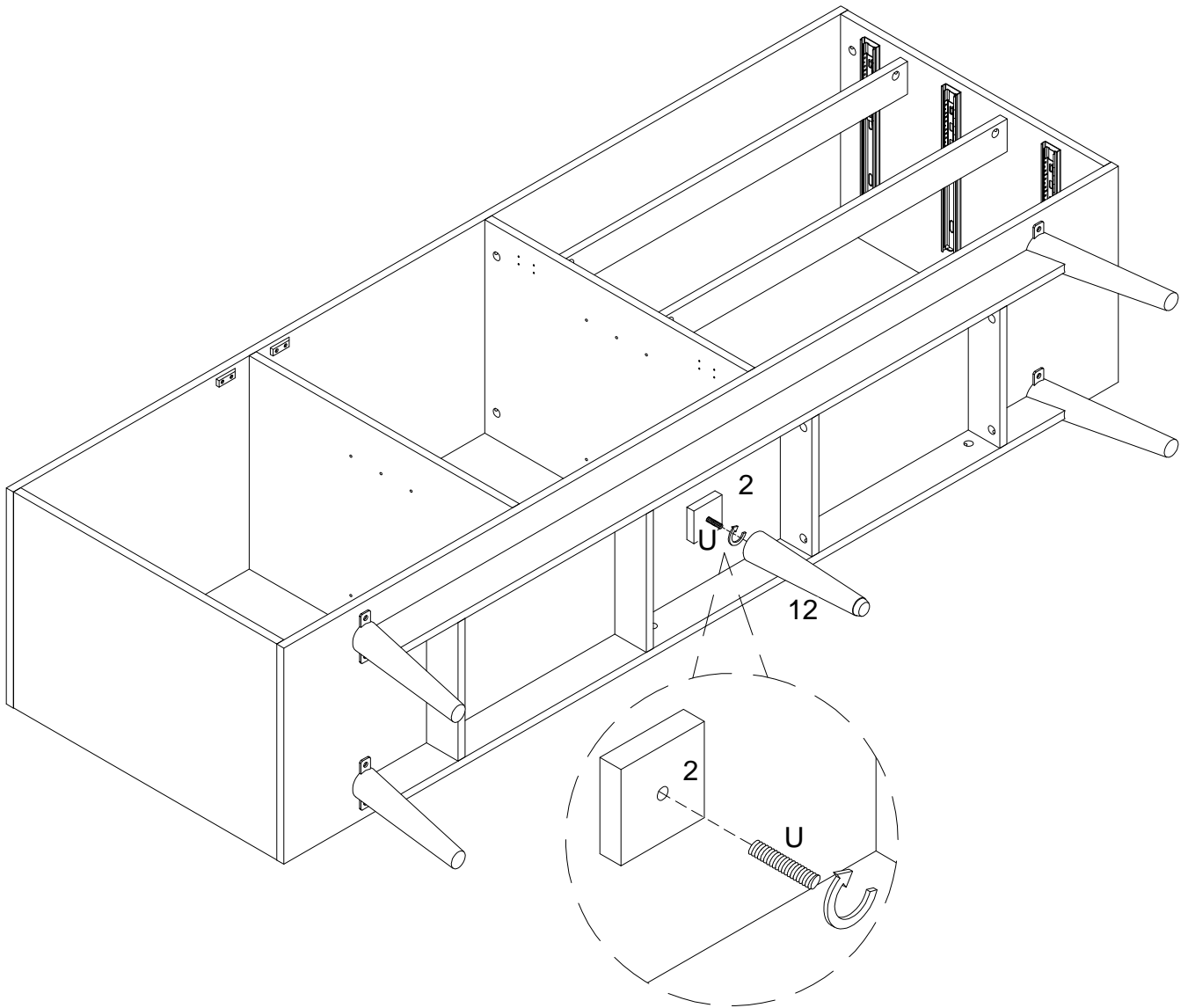
Using cam lock(C) secure part (2) to parts (3,4,5,6) with Philips head screwdriver as per diagram.

Step 9



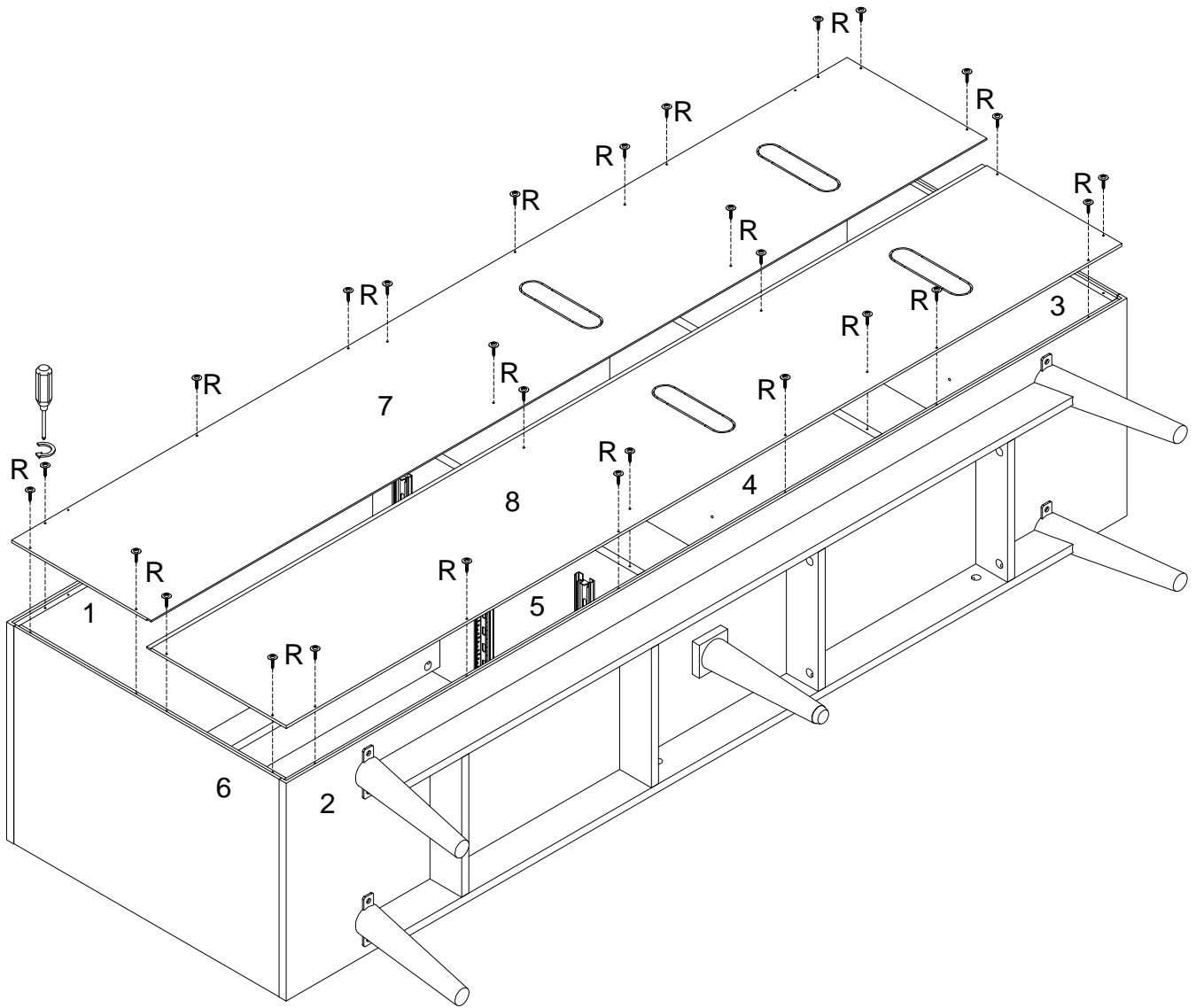
Using cam lock(C) secure part (11) to part (2) with Philips head screwdriver .and using bolt (E) with lock washer (H),flat washer (G) secure plate (J) to part (2) with hex key (V) as per diagram.

Step 10



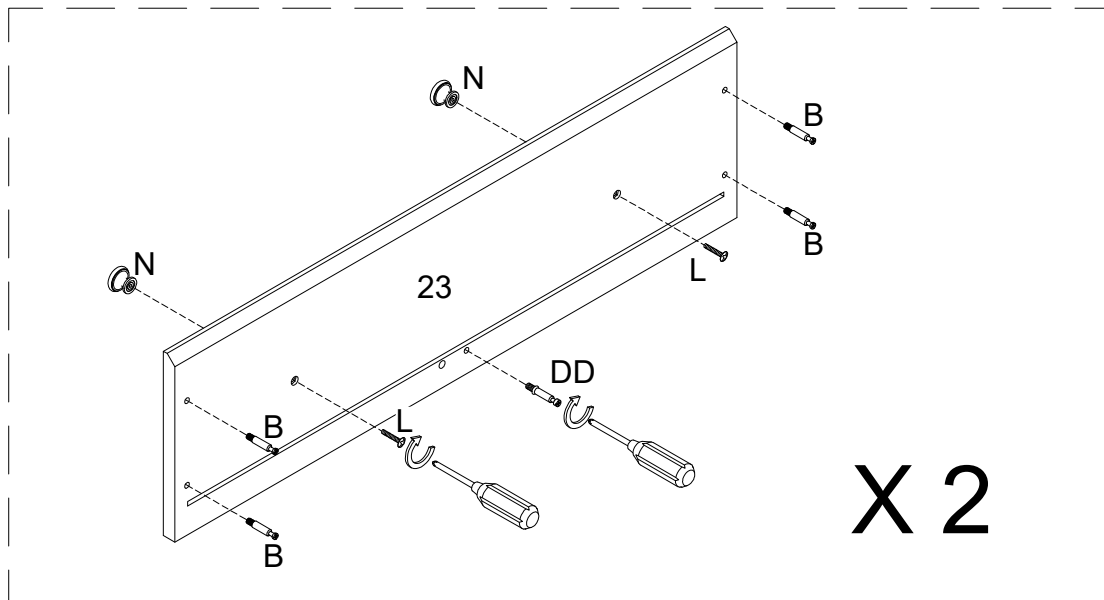
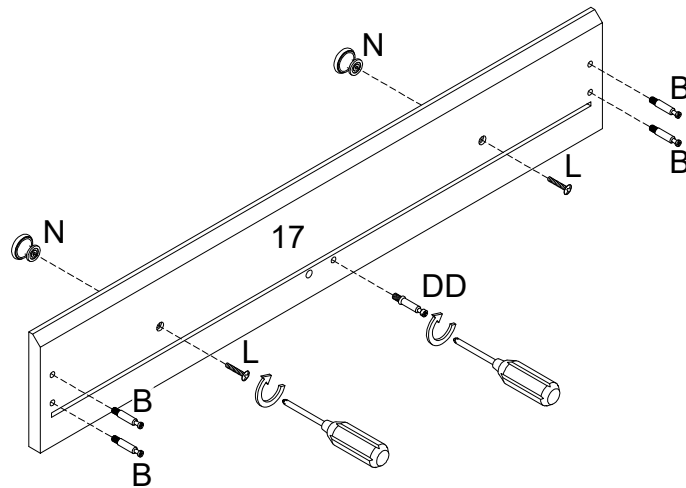
Secure bolt (U) into part (2) ,then using bolt (U) secure part (12) to part (2) as per diagram .

Step 11



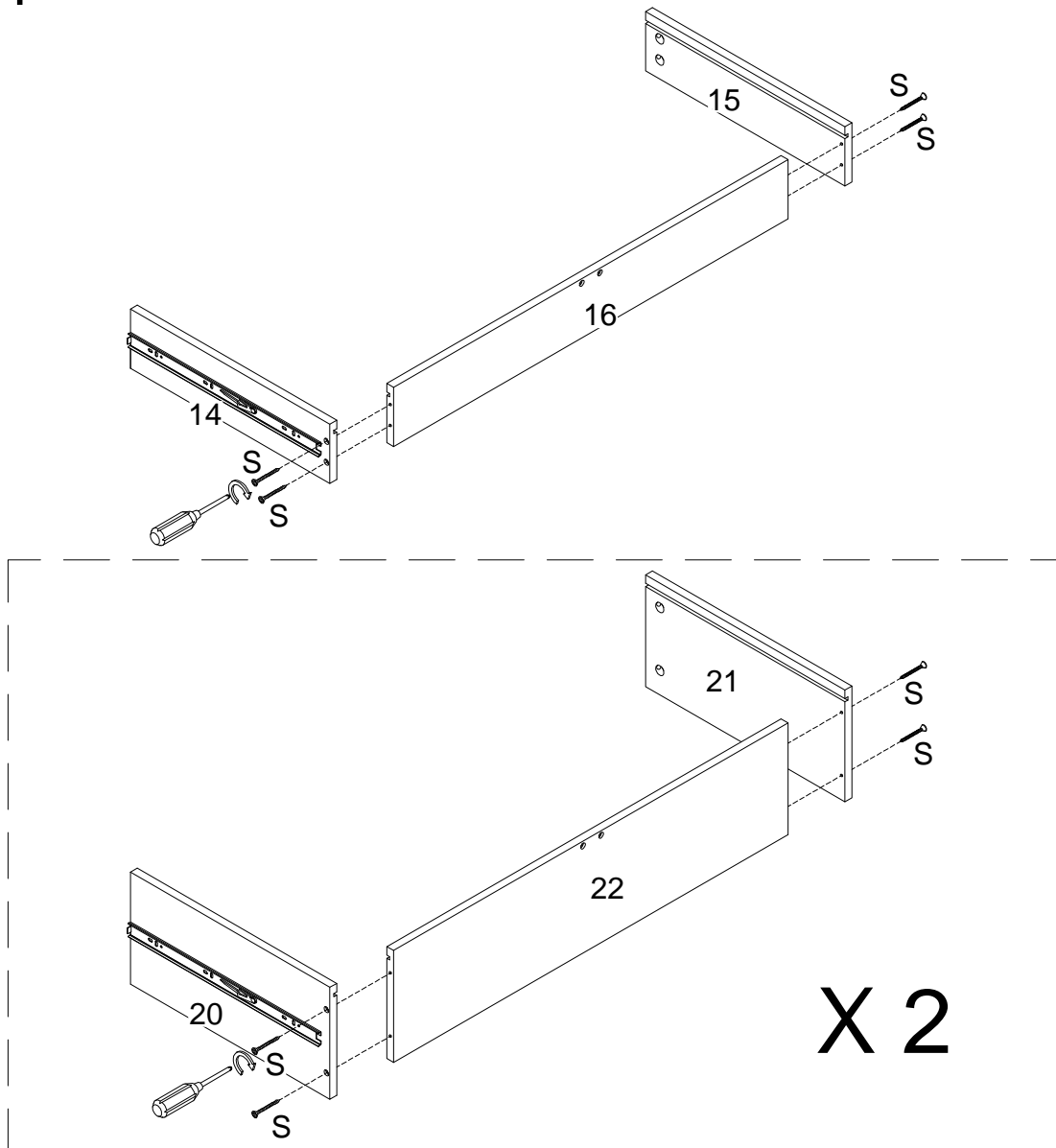
Using screw (R) fix the back panels (7,8) with Philip head screwdriver as per diagram.

Step 12



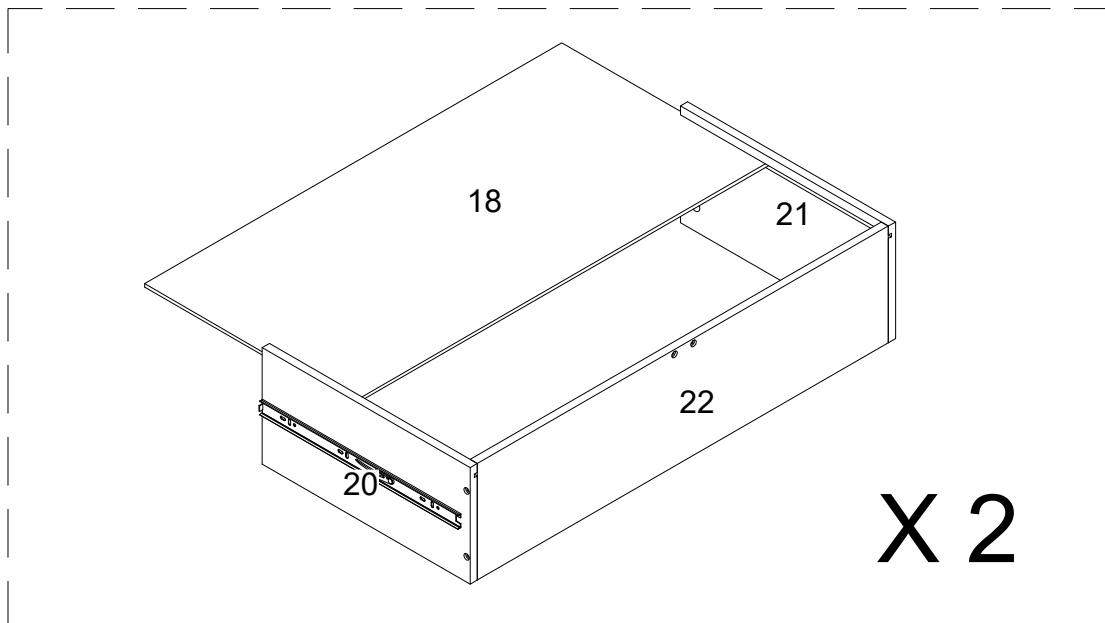
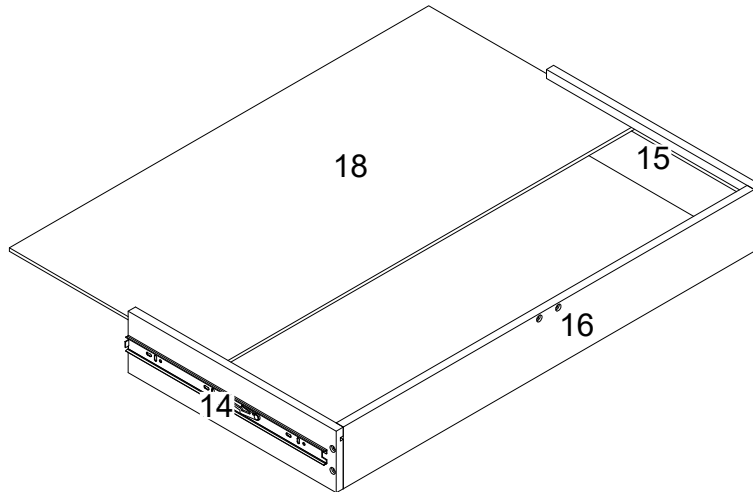
Secure cam bolt (B,DD) into parts (17,23) ,then using handle bolt (L) attach handle (N) to parts (17,23) with Philips head screwdriver as per diagram.

Step 13



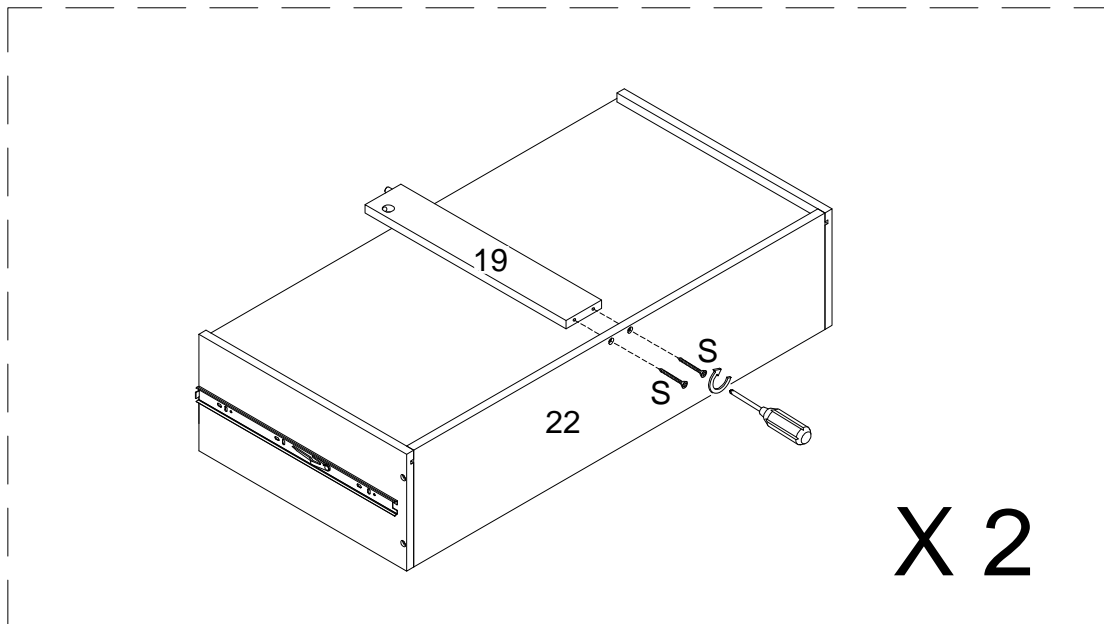
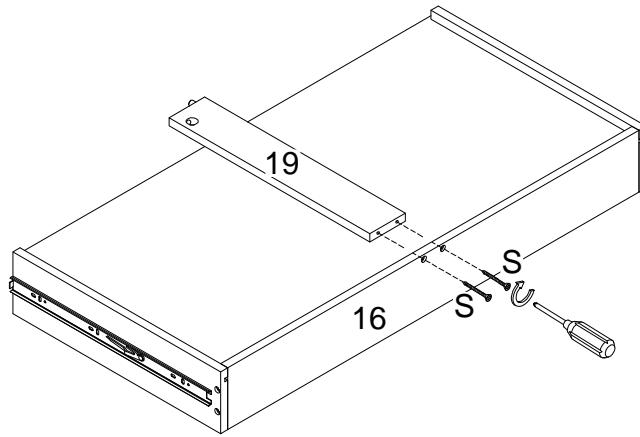
Using screw (S) attach parts (20,21) to part (22) ,parts (14,15) to part (16) with Philips head screwdriver as per diagram.

Step 14



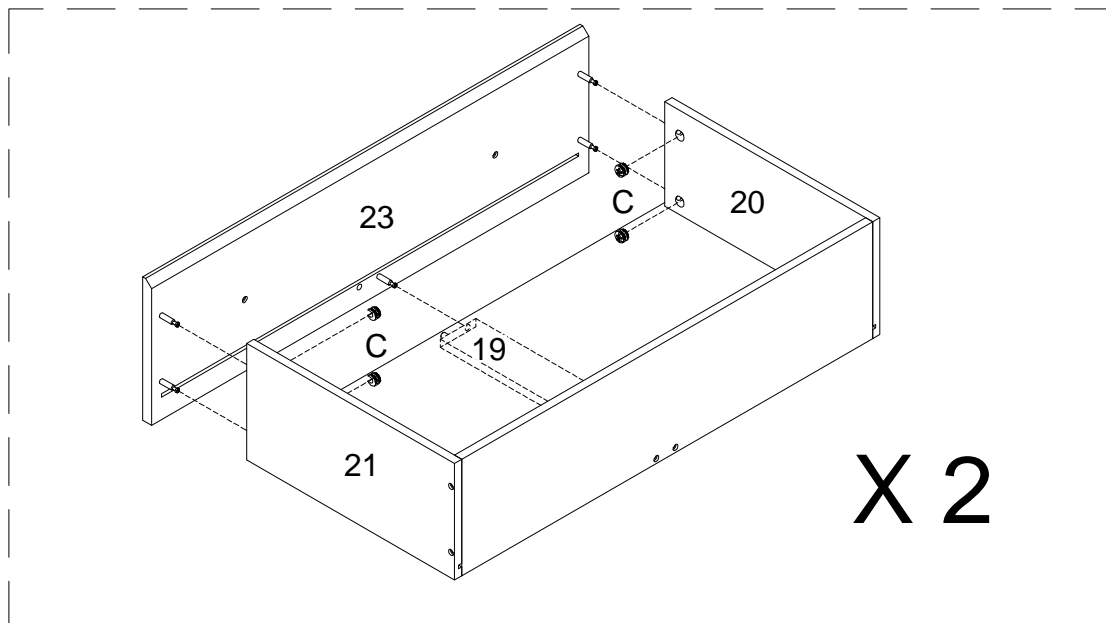
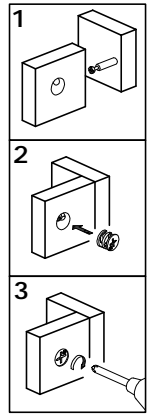
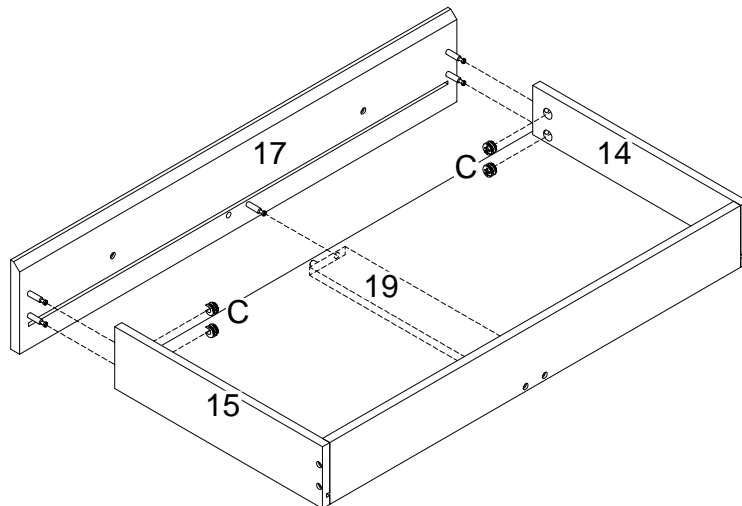
Put part (18) as per diagram.

Step 15



Using screw (S) attach parts (16,22) to part (19) with Philips head screwdriver as per diagram.

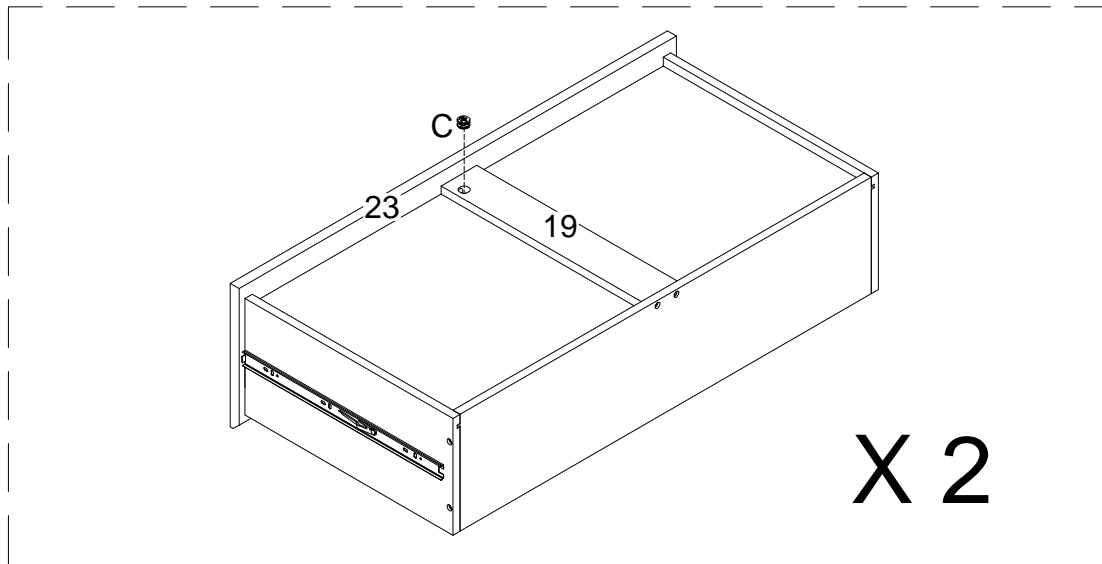
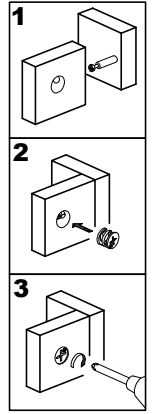
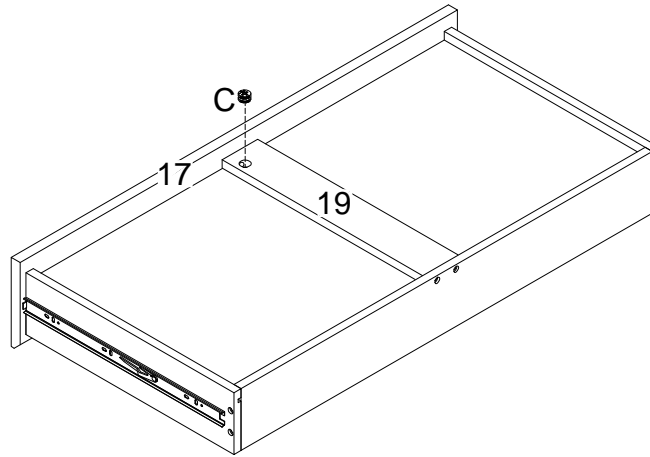
Step 16



X 2

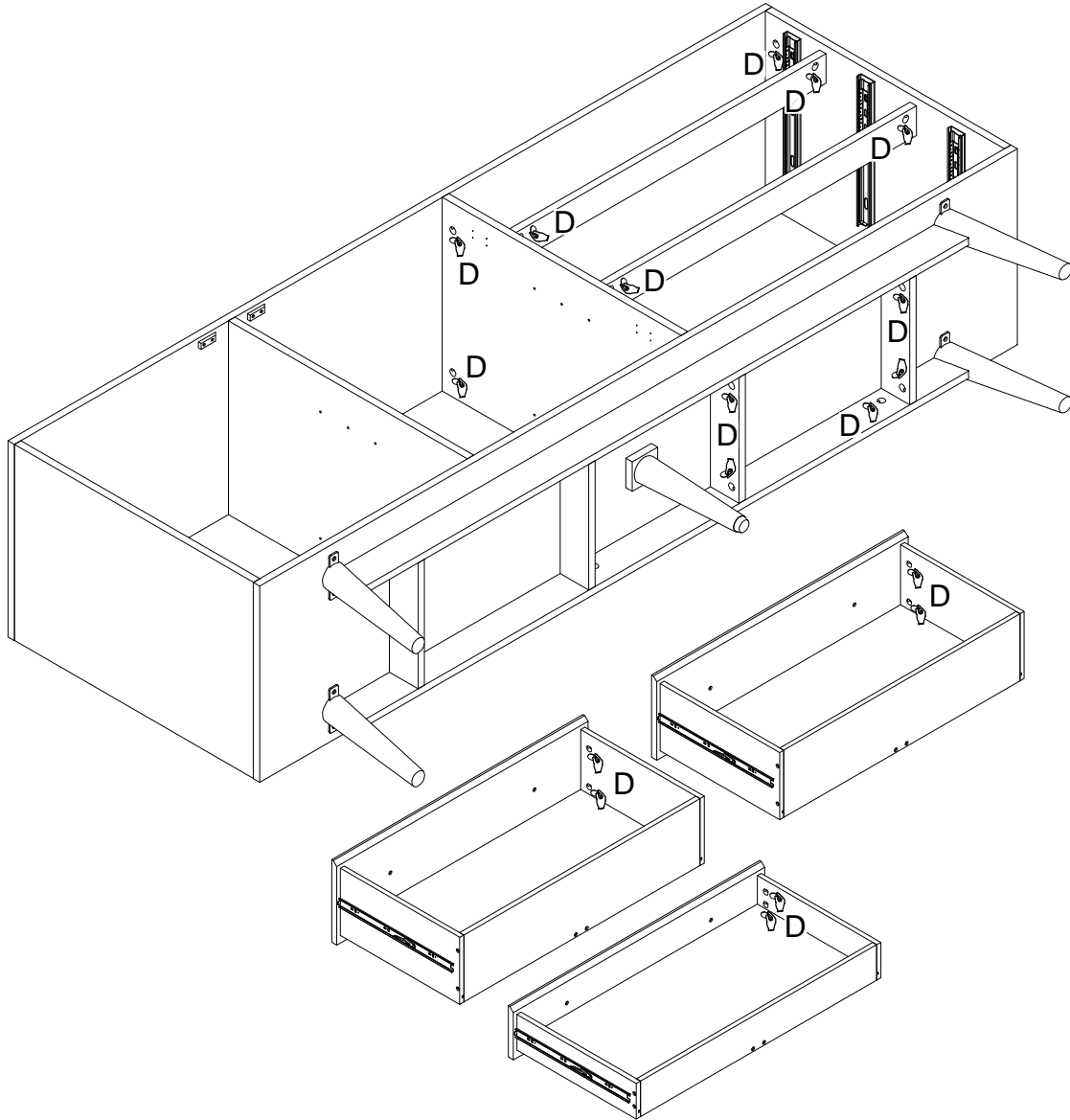
Using cam lock(C) secure part (23) to parts (20,21) ,part (17) to parts (14,15) with Philips head screwdriver as per diagram.

Step 17



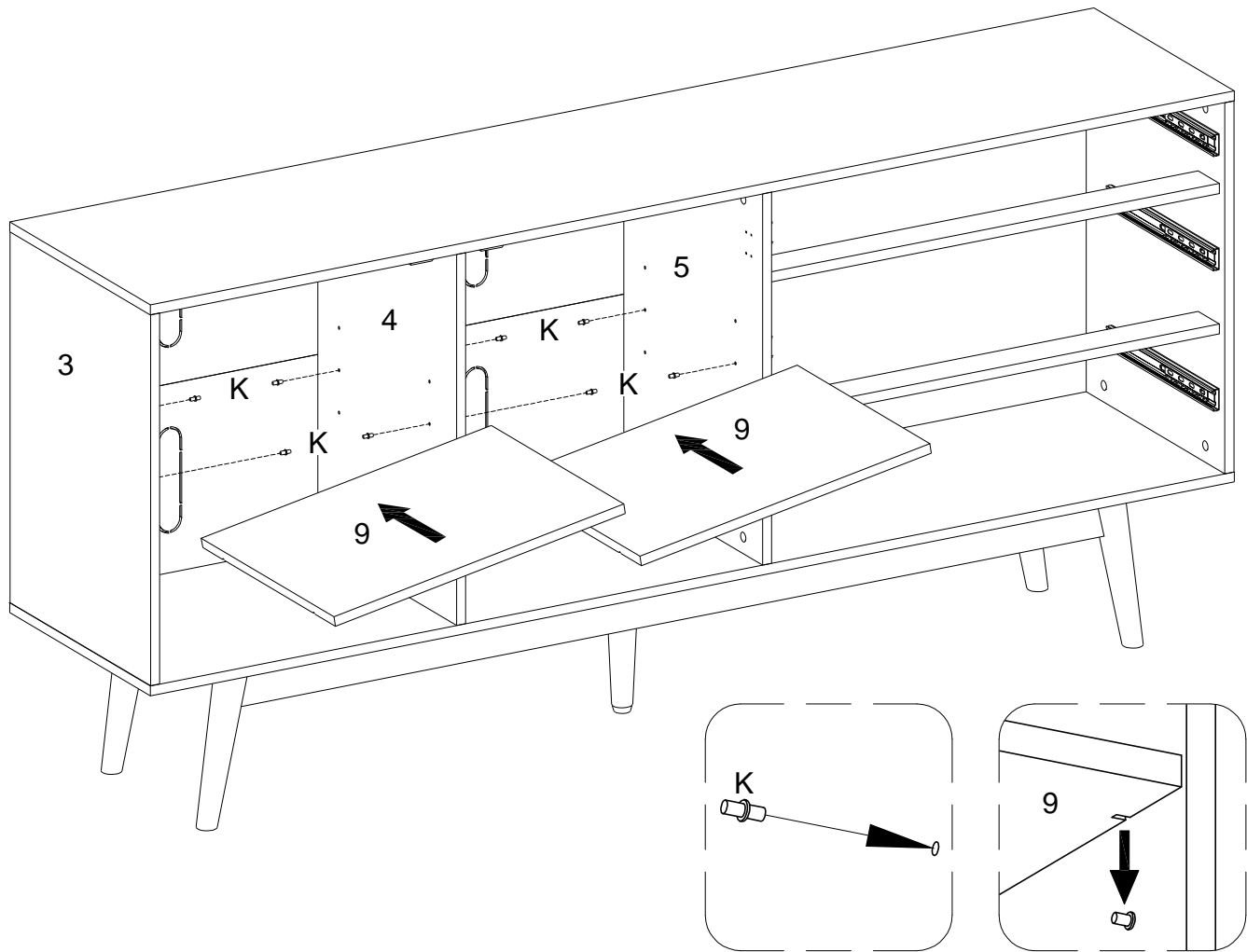
Using cam lock (C) secure part (17,23) to part (19) with Philips head screwdriver as per diagram.

Step 18



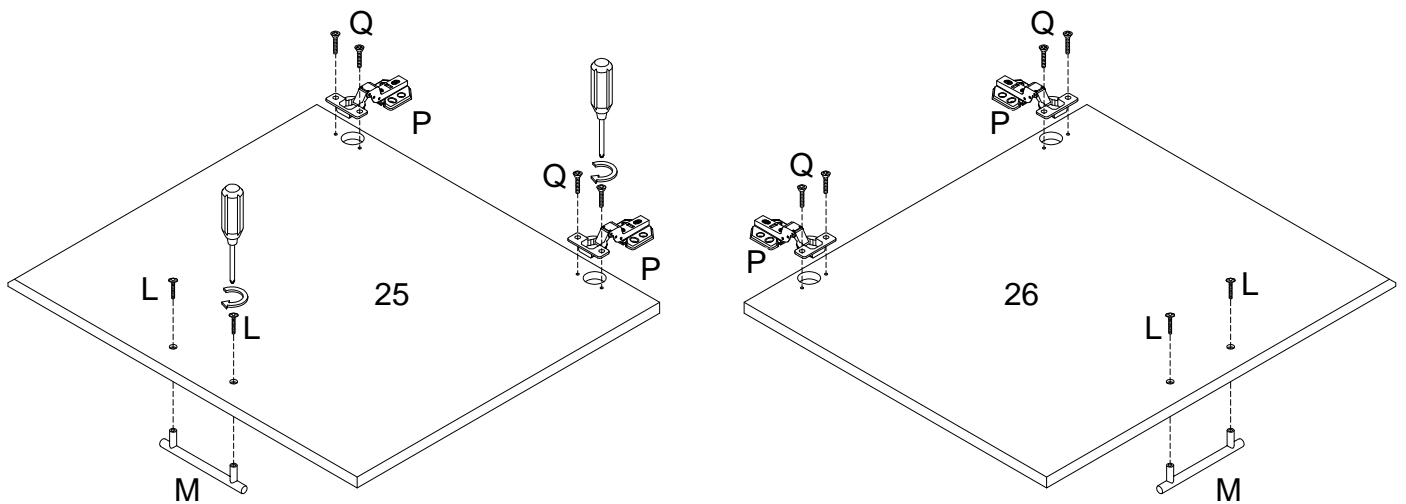
Place sticker (D) cover the holes as per diagram .

Step 19



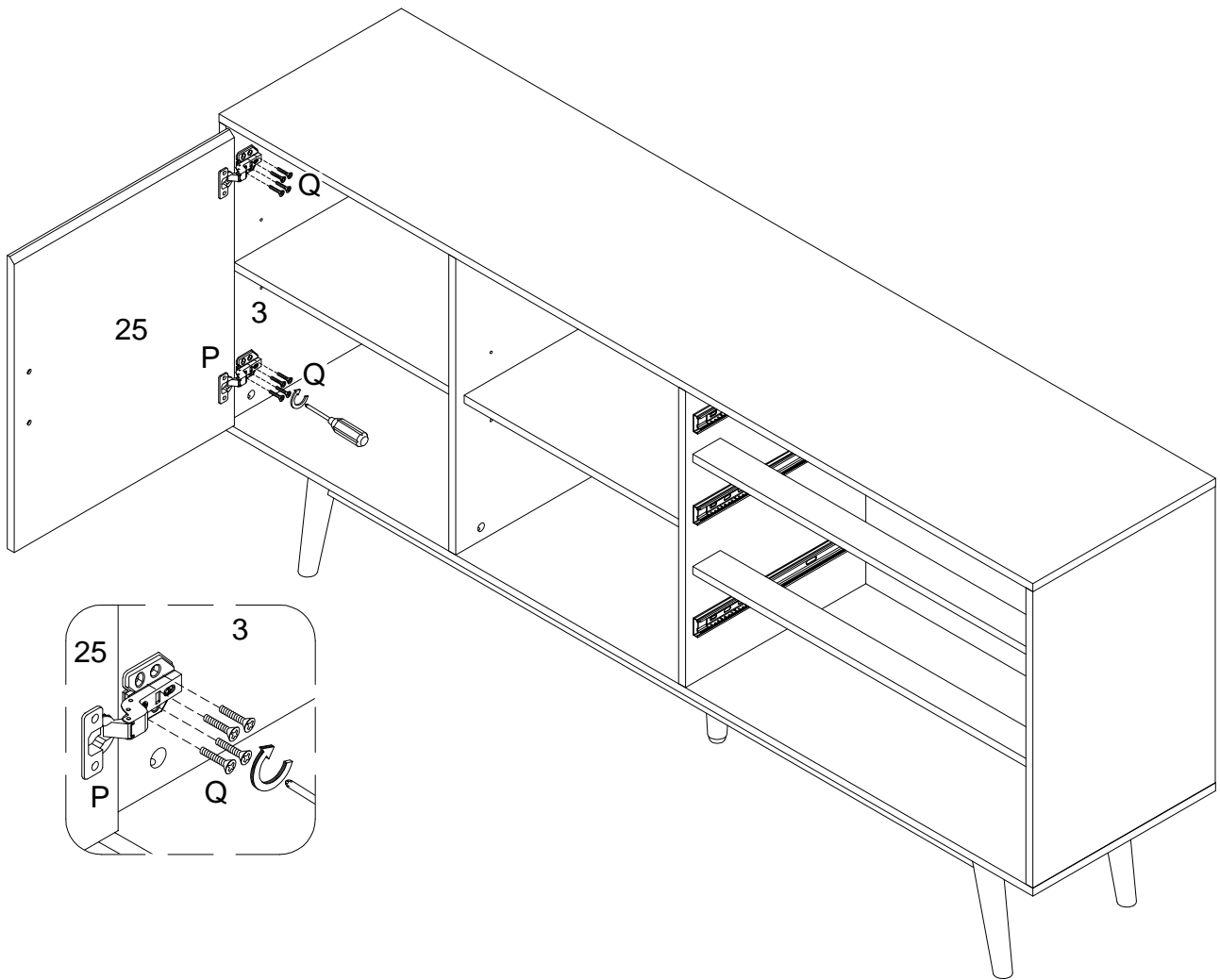
Insert shelf support pin (K) into parts (3,4,5) as per diagram. Make sure you place the four shelf support pins (K) in the same level. So the shelf is not titled .Put part (9) into unit as per diagram. Tilt and rest the adjustable shelf (9) onto the shelf support pins .

Step 20



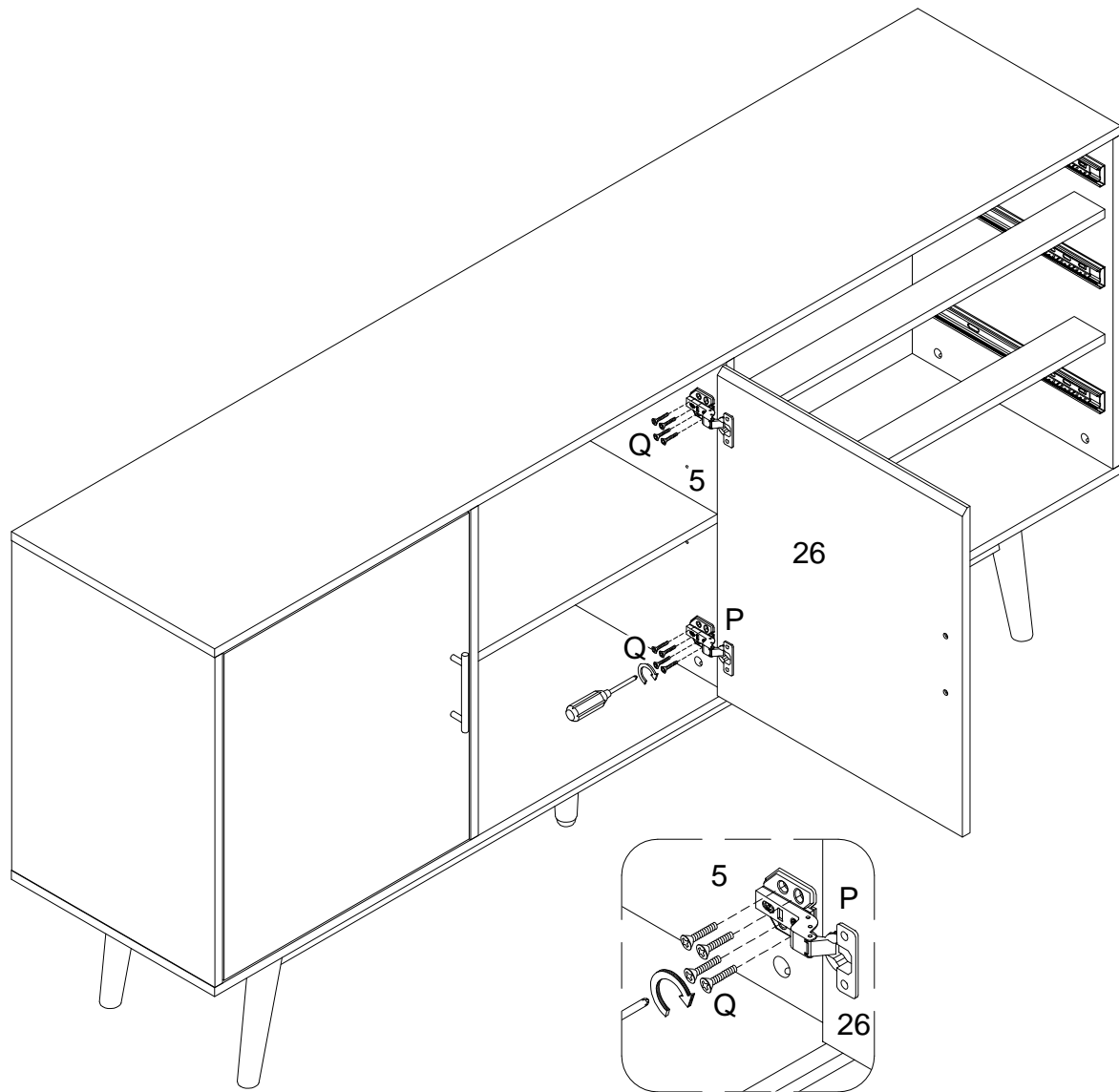
Using screw (Q) attach Europe hinge (P) to parts (25,26) ,then using handle bolt (L) attach handle (M) to parts (25,26) with Philips head screwdriver as per diagram.

Step 21



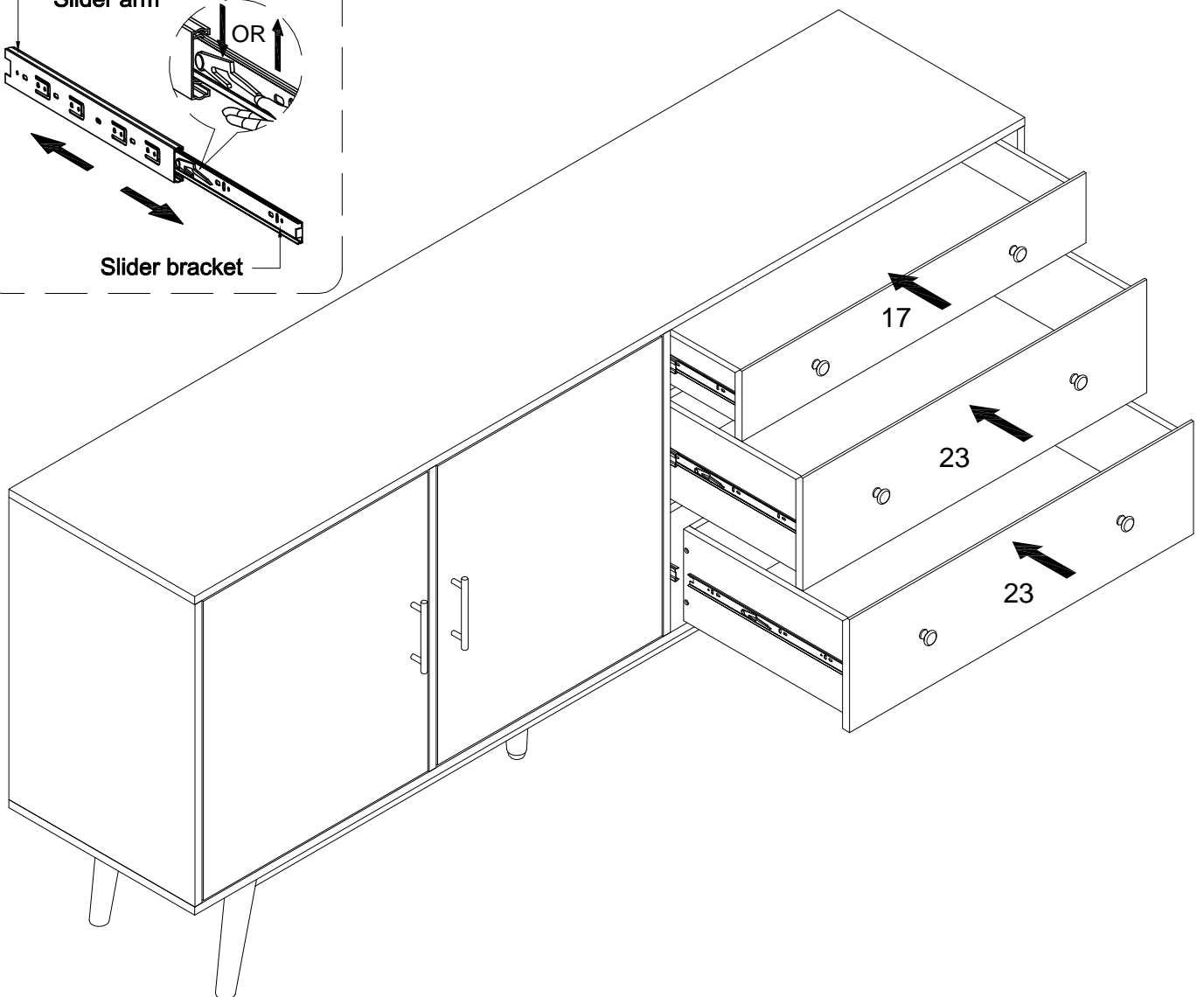
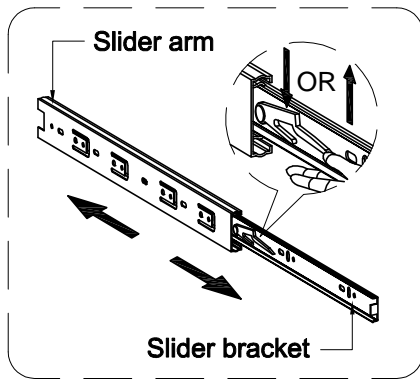
Using screw (Q) attach Europe hinge (P) into part (3) with Philips head screwdriver as per diagram.

Step 22



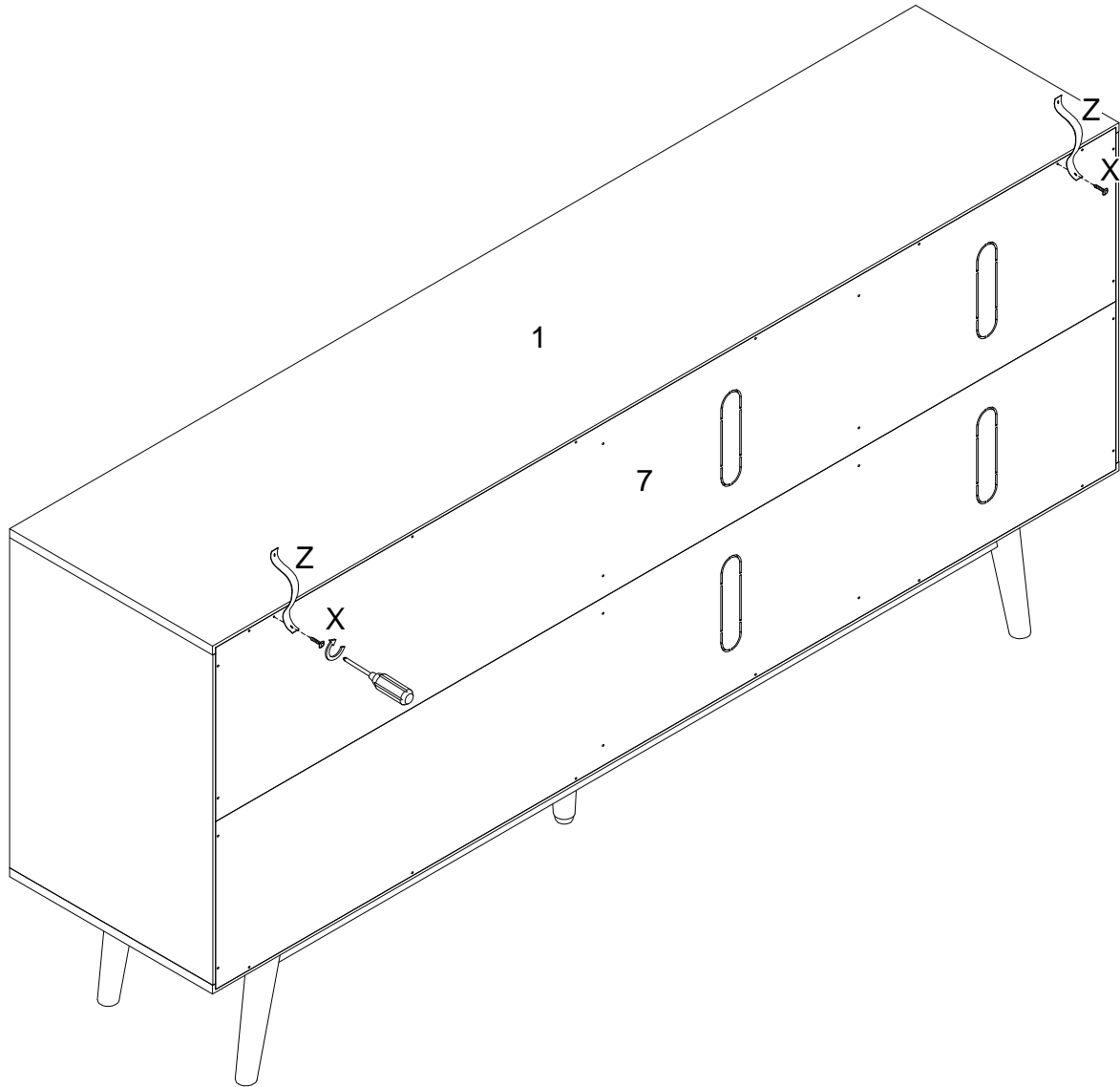
Using screw (Q) attach Europe hinge (P) into part (5) with Philips head screwdriver as per diagram. Open and close the doors .If necessary adjust the screws for a good fit .

Step 23



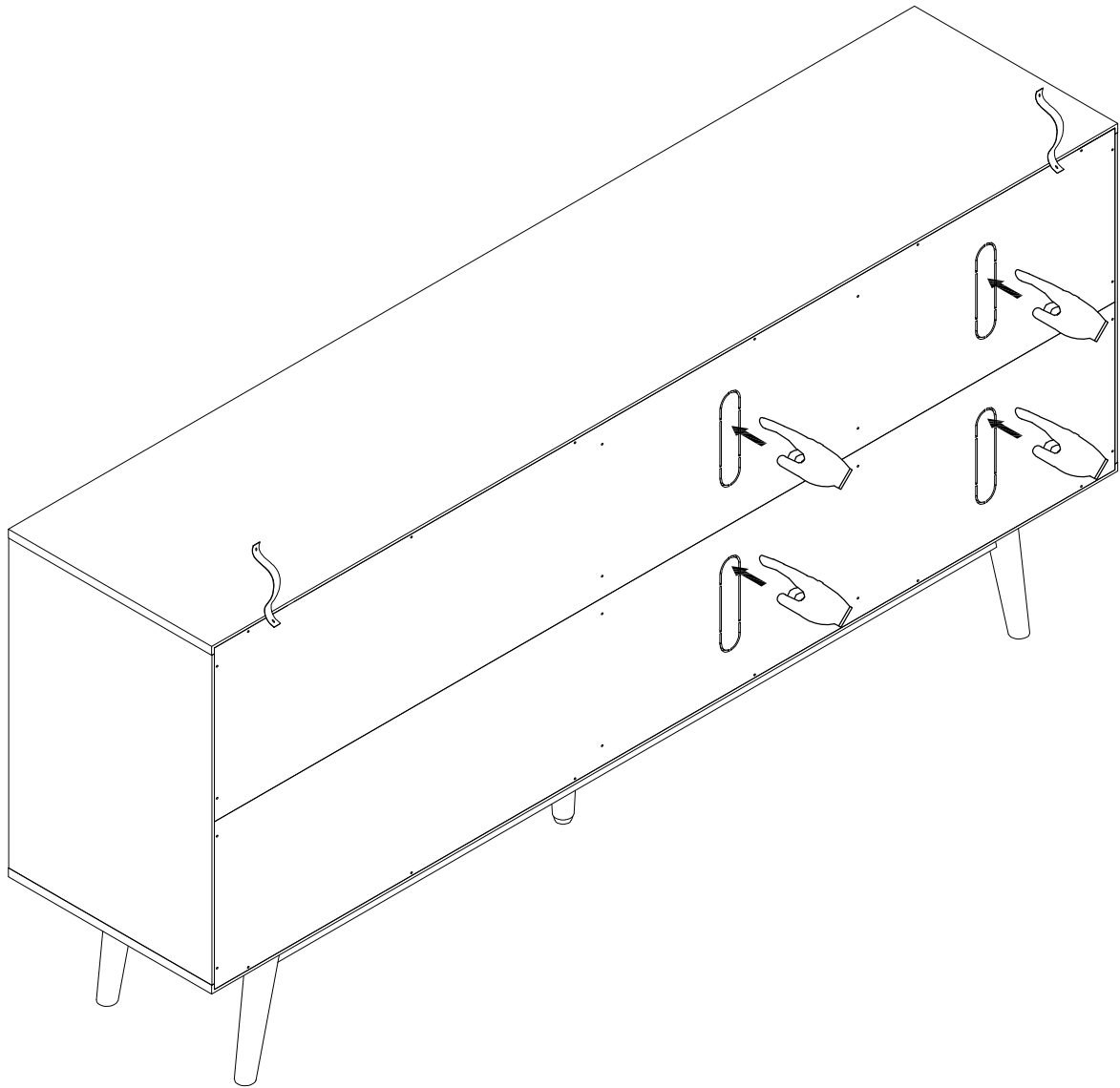
Insert the assembled drawers into the unit frame, extend the Ball Bearing Slide Tracks on the pedestal Side Panel all the way forward .Then align the Slide Runners on the assembled drawers with the Slide Tracks and push the drawer carefully inside until it stops. Note : if the drawer does not go in smoothly, please take it out and repeat the step. If you need to remove the drawer, please pull the drawer all the way out, press or lift the plastic release lever and pull out the drawer and then re-assembled the drawer until it was going in smoothly .

Step 24



Using screw (X) attach Velcro strap (Z) into part (7) to part (1) with Philips head screwdriver as per diagram.

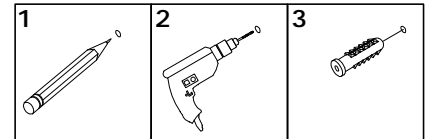
Step 25



Take out the wooden panel of the faux cable holes if necessary .

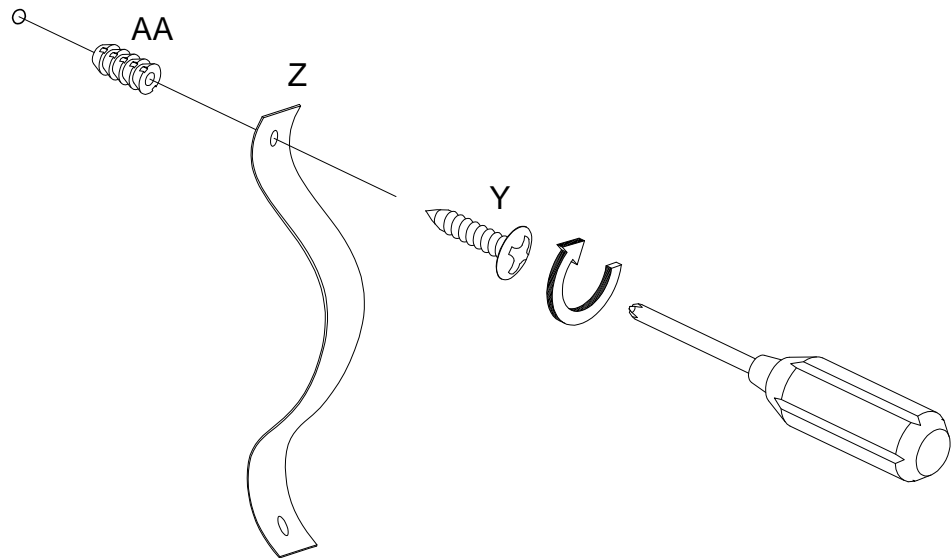
Step 26

WARNING



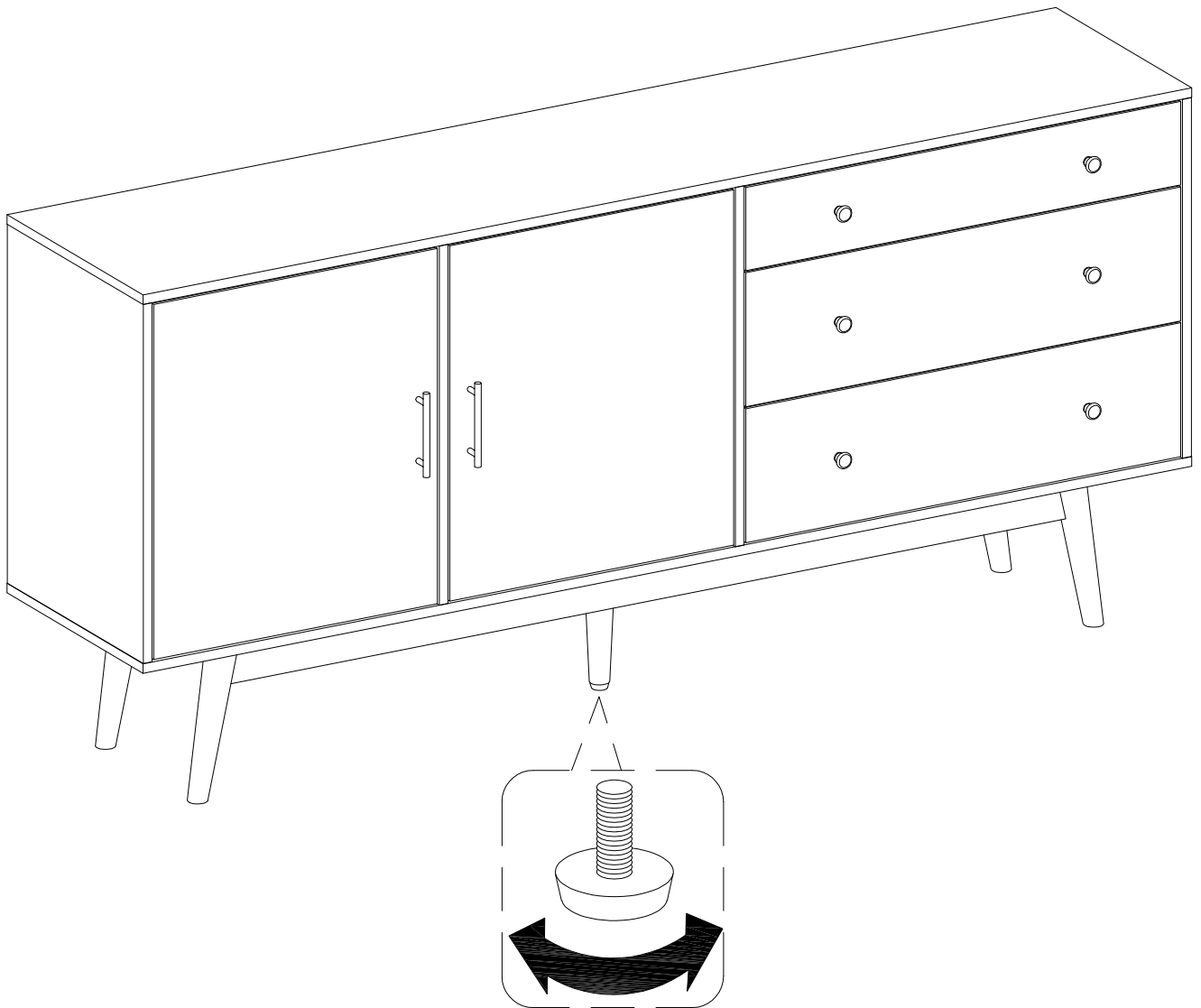
Serious or fatal injuries can occur from furniture tipping over. To prevent the furniture from tipping over we recommend that it is permanently fixed to the wall. Wall anchor and hardware are included with this product. Please make sure hardware is suitable for your walls before installing, as different wall materials may require different types of anchors.

Wall



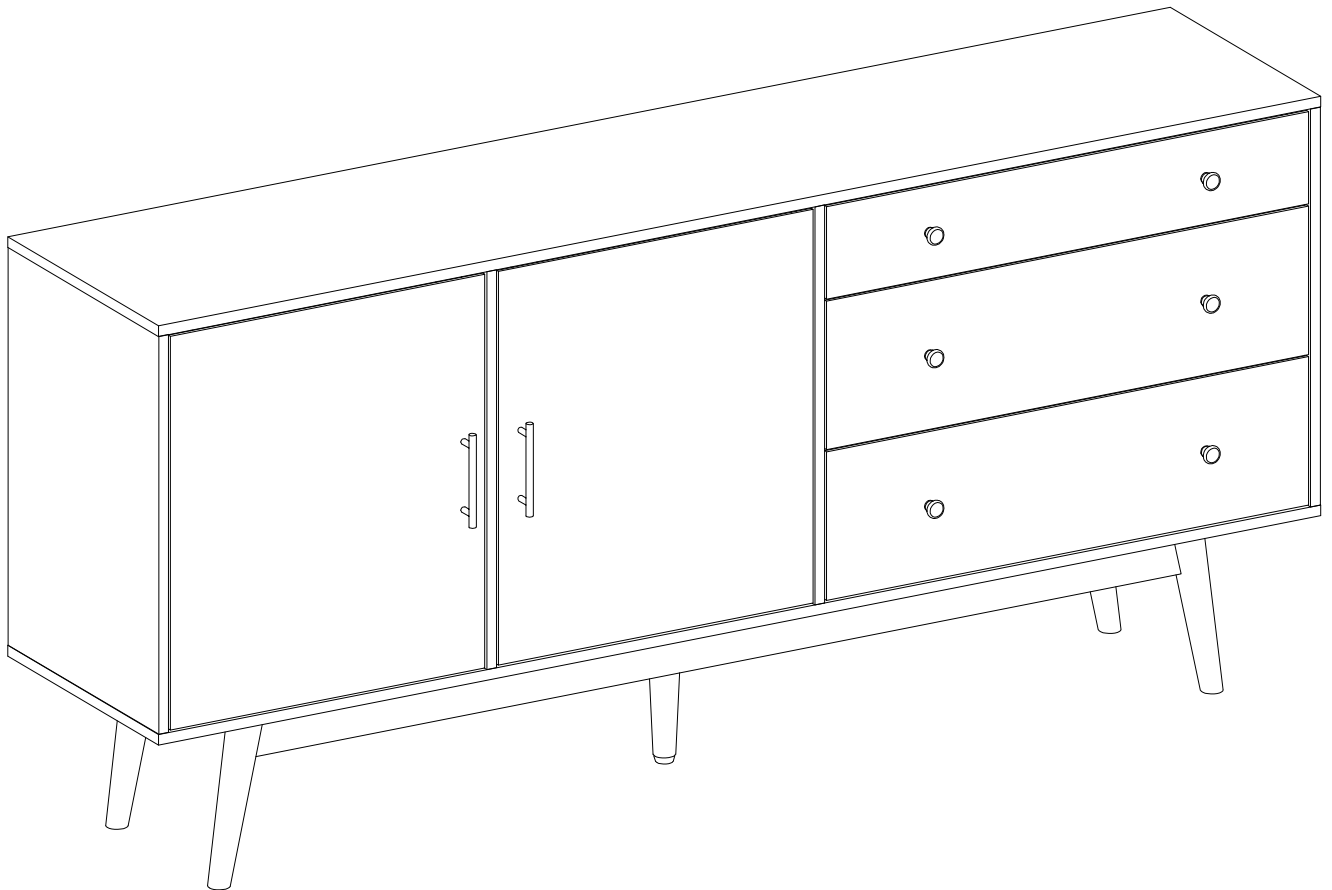
Using screw (Y) attach Velcro strap (Z) into Nut (AA) to wall with Philips head screwdriver as per diagram.

Step 27



Position the assembled unit at the desired location ,if necessary adjust the floor leveler at the bottom of the support leg to level the unit .

Step 28



Final Assembly