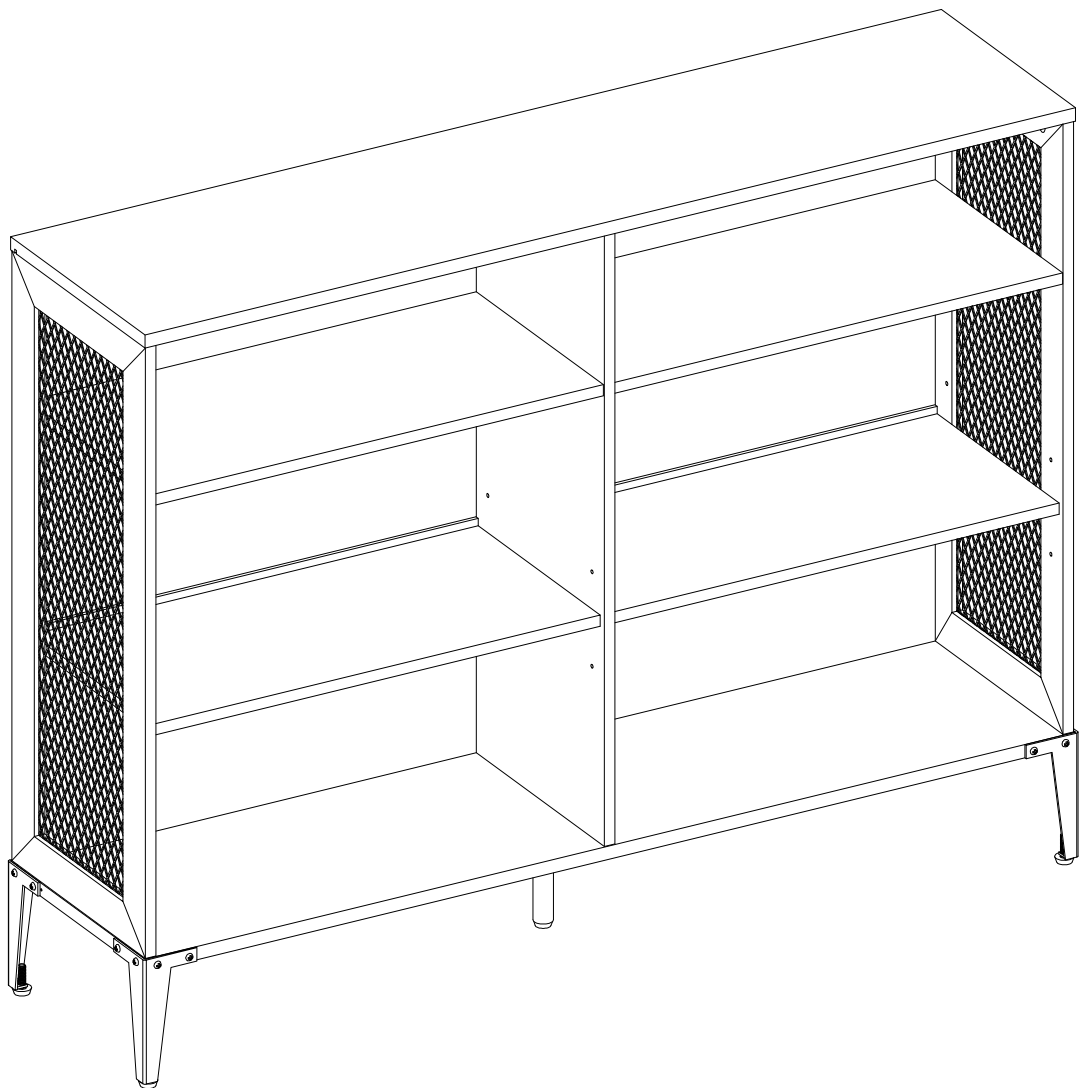


HOME SOURCE®

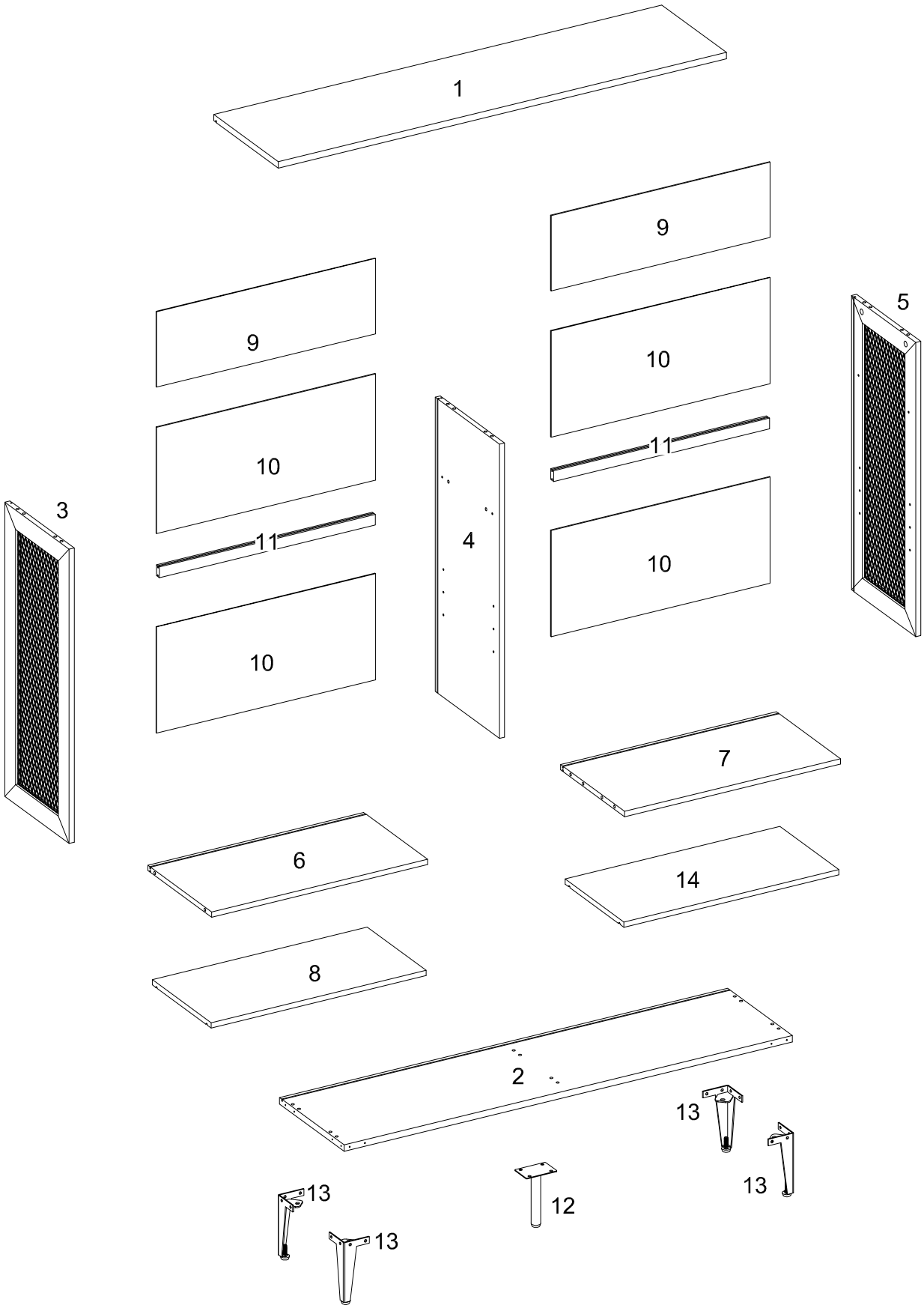
ASSEMBLY INSTRUCTION

MODEL: H-5560 MOP-STONE GREY / MOP-CHARC










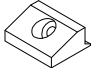



H-5560 MOP-MH / MOP-RBW

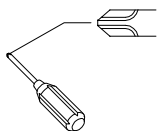


Parts List



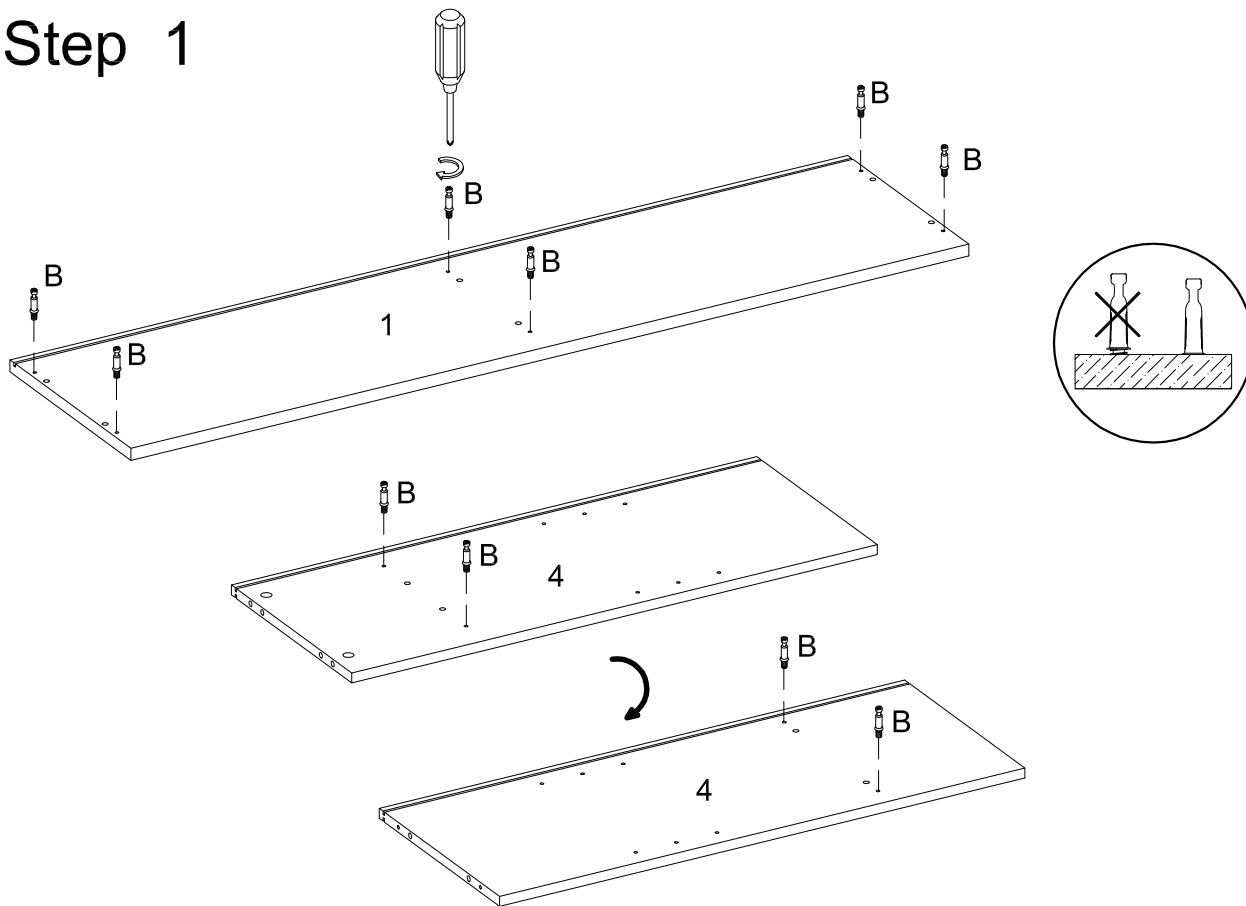
Hardware List

A		Ø8x30mm	Wooden dowel	16 pcs
B		Ø6x35mm	Cam bolt	14 pcs
C		Ø15x11mm	Cam lock	14 pcs
D			Shelf support pin	8 pcs
E			Sticker	14 pcs
F		Ø6x50mm	Screw	6 pcs
G			Glue	1 pcs
H		Ø6x13mm	Bolt	8 pcs
I		M 4	Hexagon socket key	1 pcs
J			Plastic wedge	24 pcs
K		Ø3x17mm	Flat-head screw	24 pcs
L			Screw	16 pcs
M		Tipping Restraint Hardware (Inside Plastic White Bag)		2 pcs

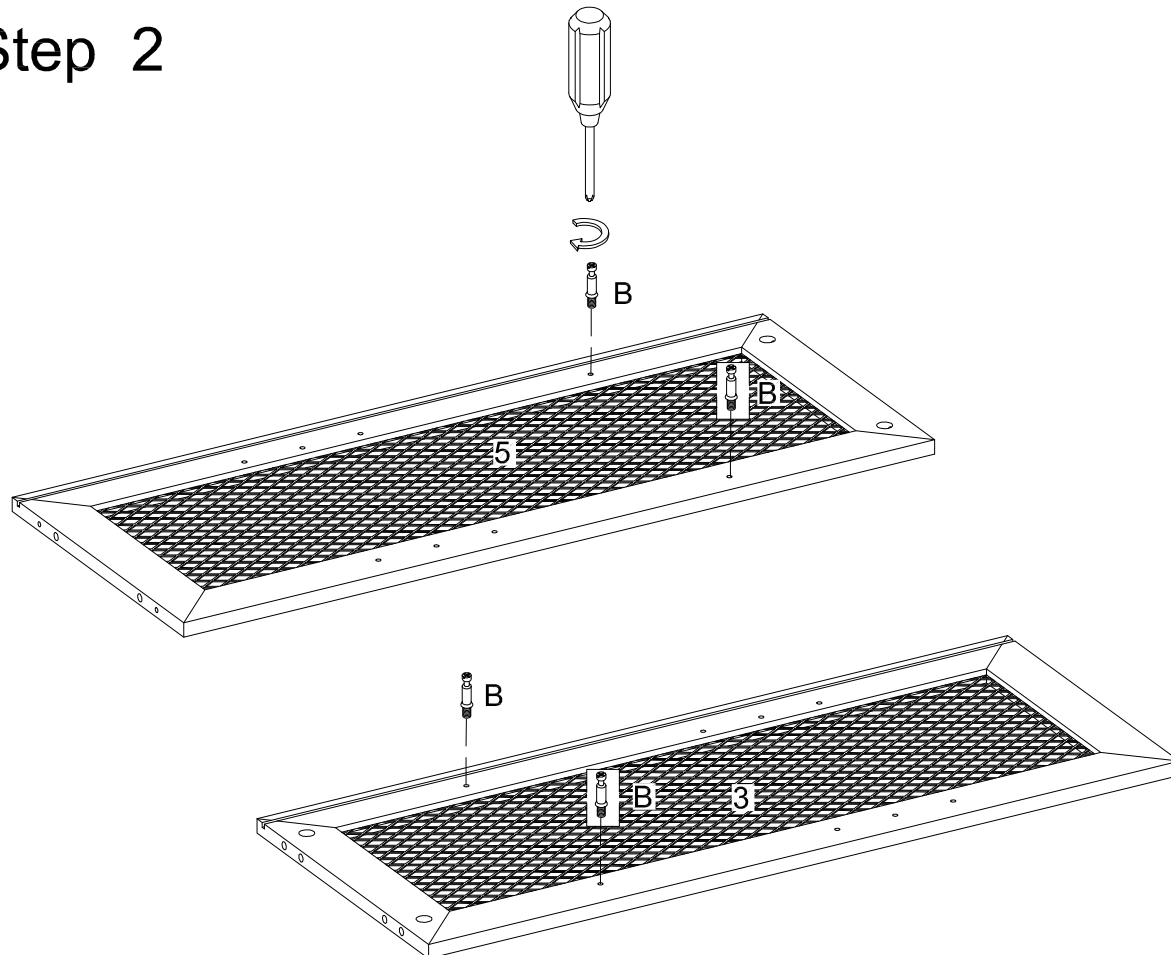


Philips head screwdriver required for assembly
(not included)

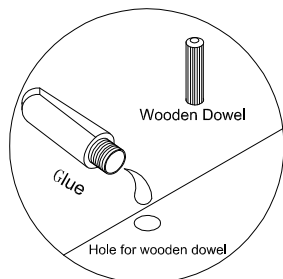
Step 1



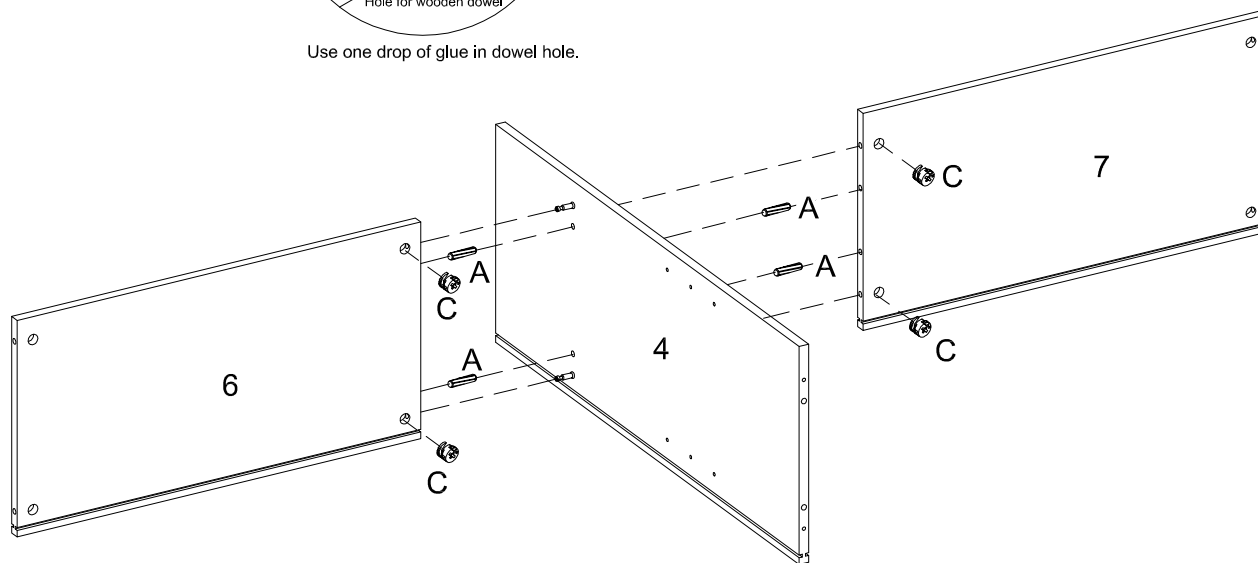
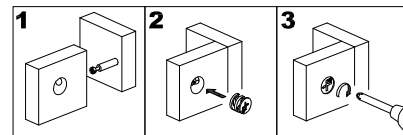
Step 2



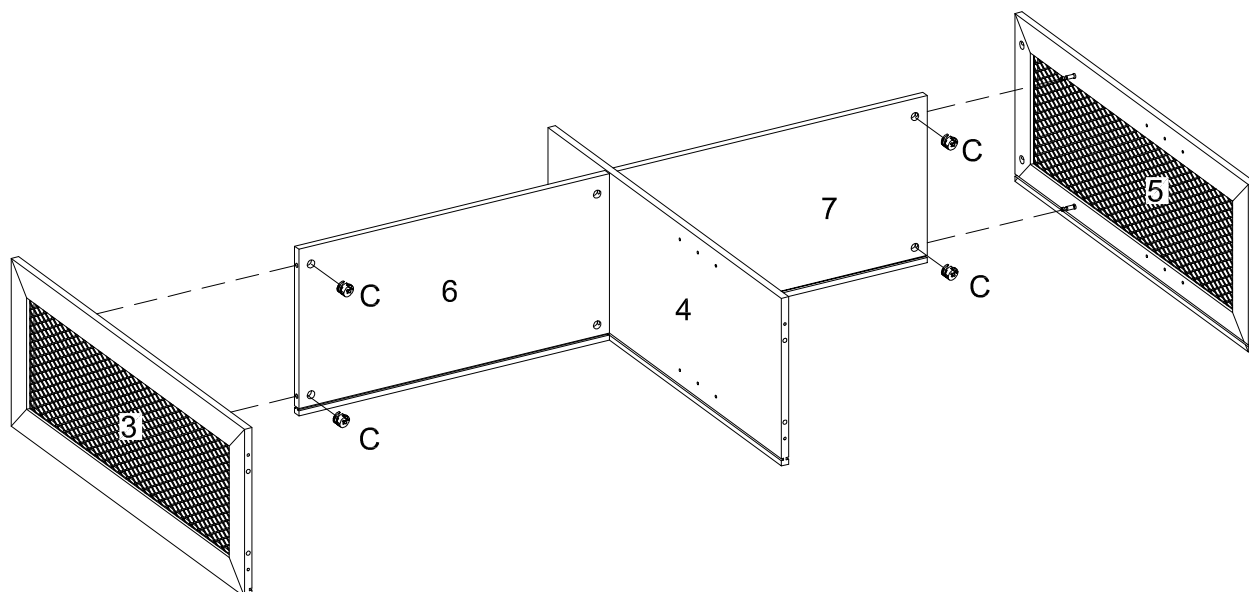
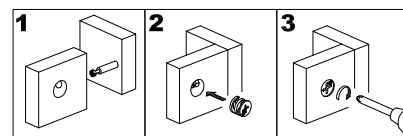
Step 3



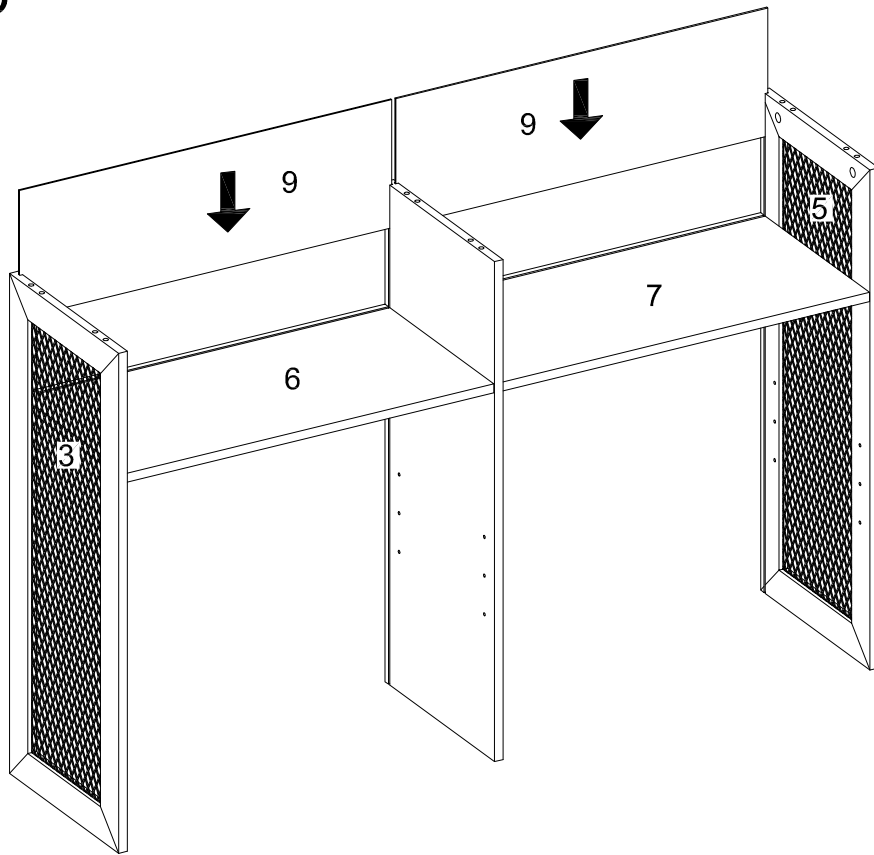
Use one drop of glue in dowel hole.



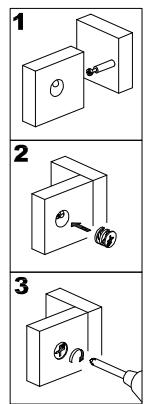
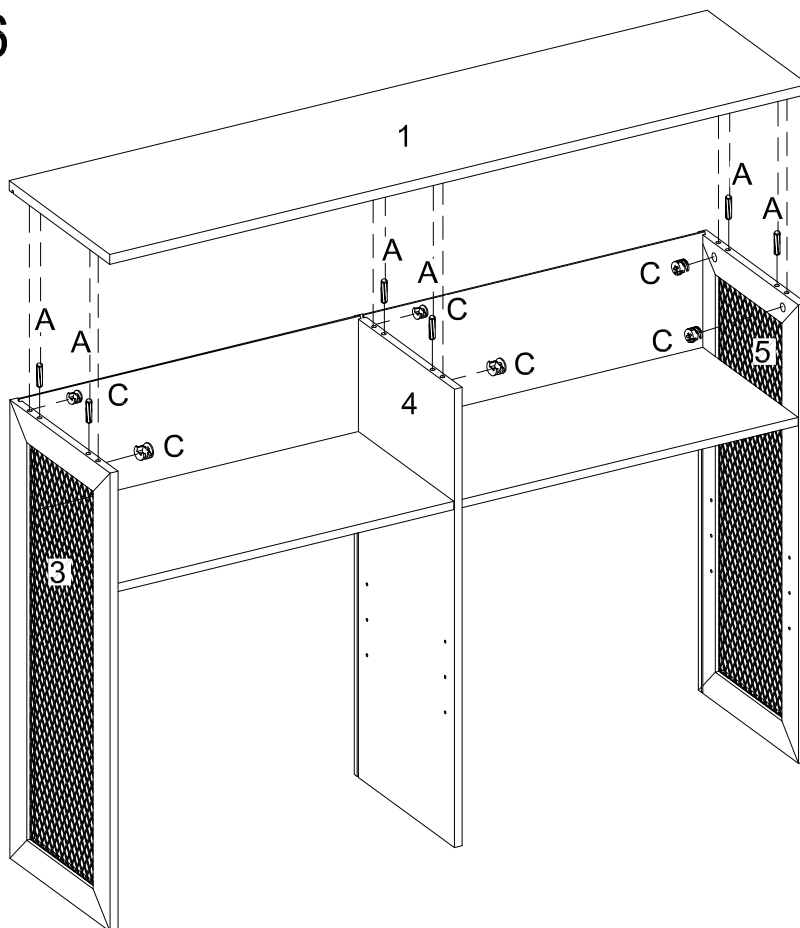
Step 4



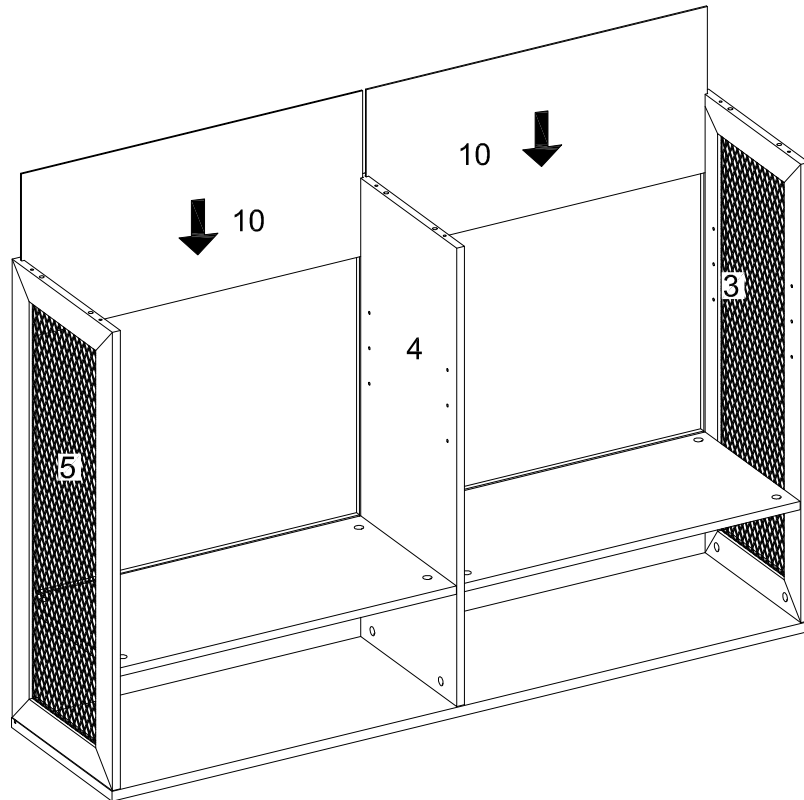
Step 5



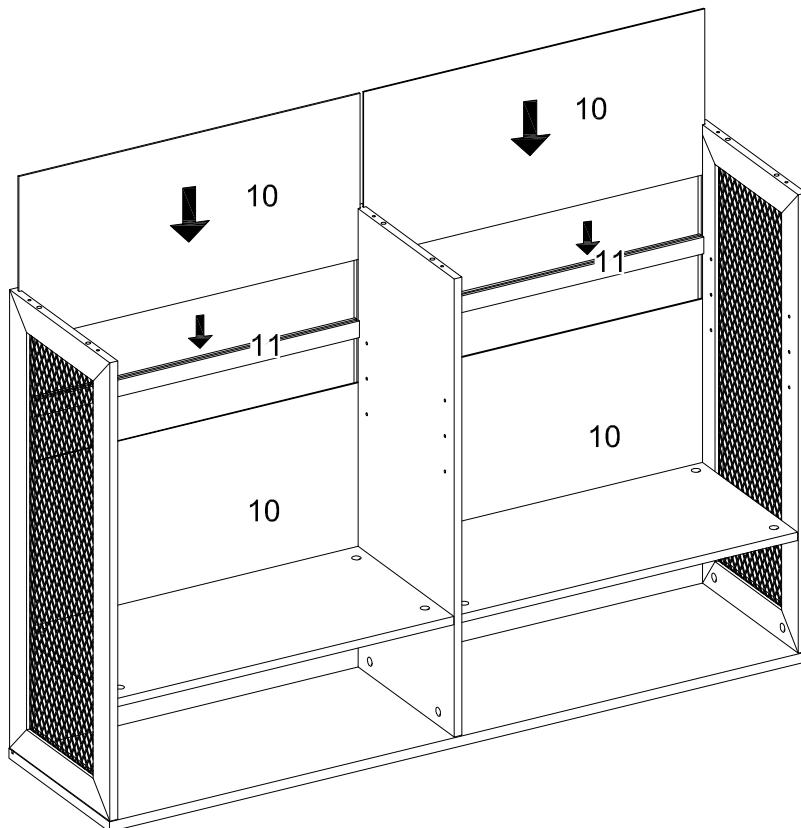
Step 6



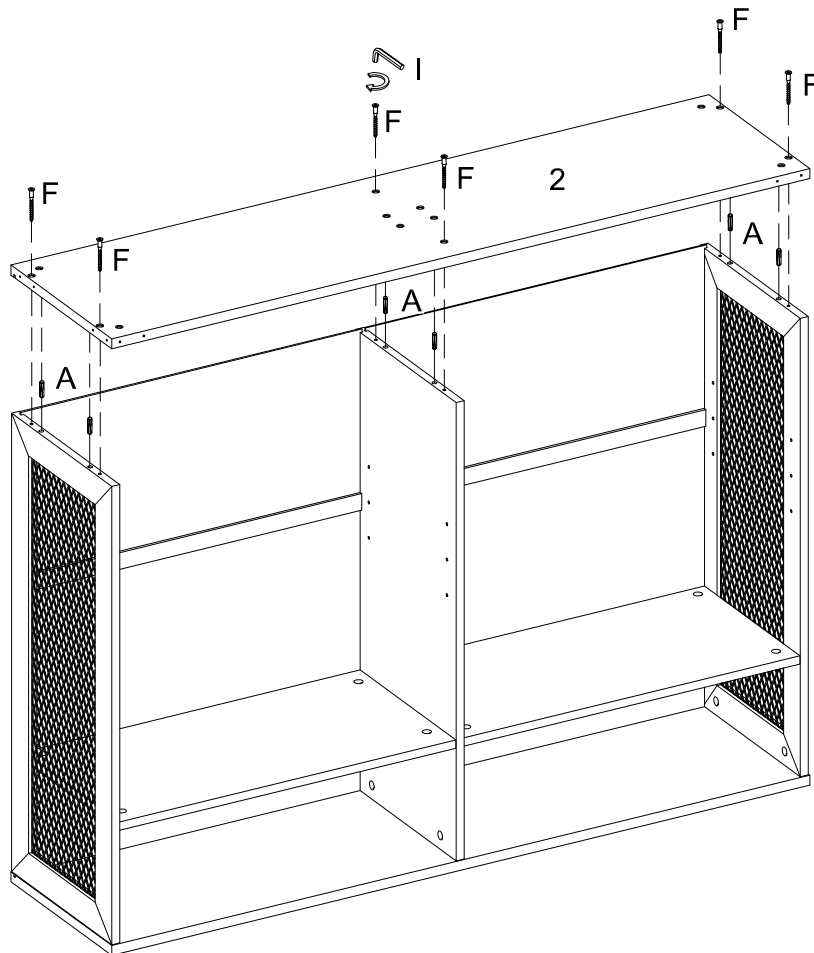
Step 7



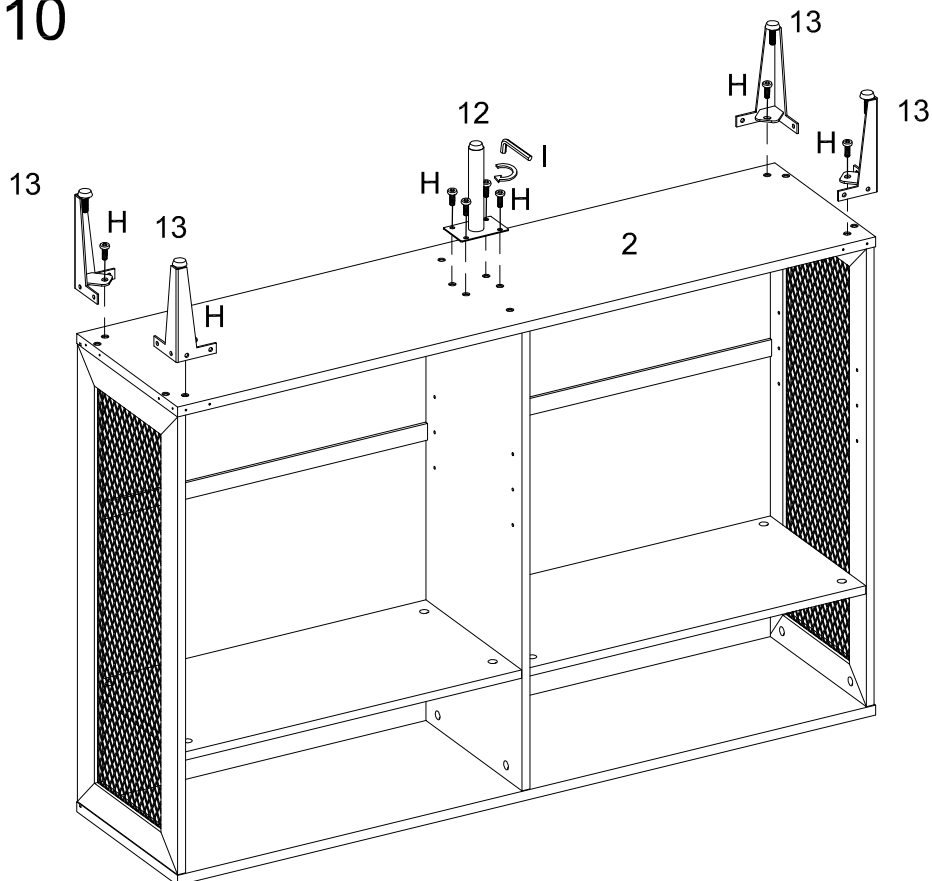
Step 8



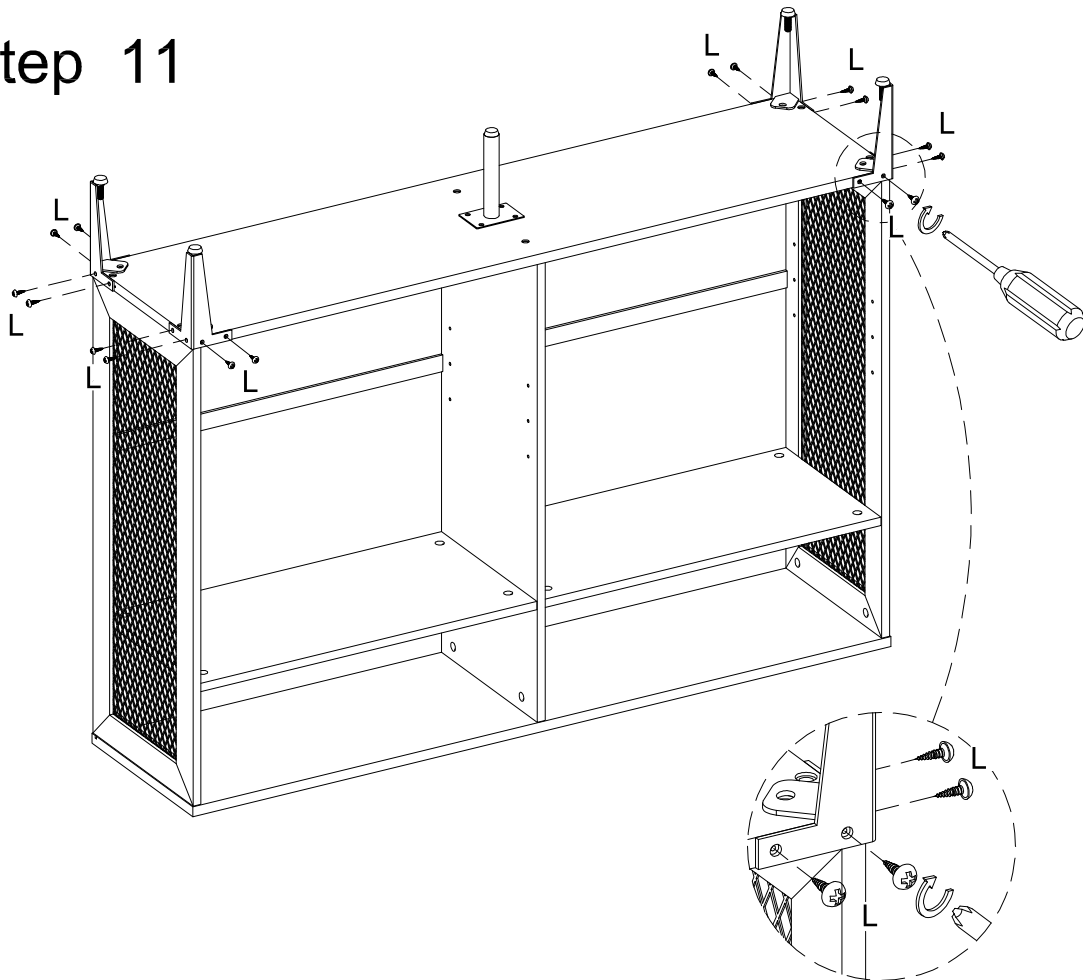
Step 9



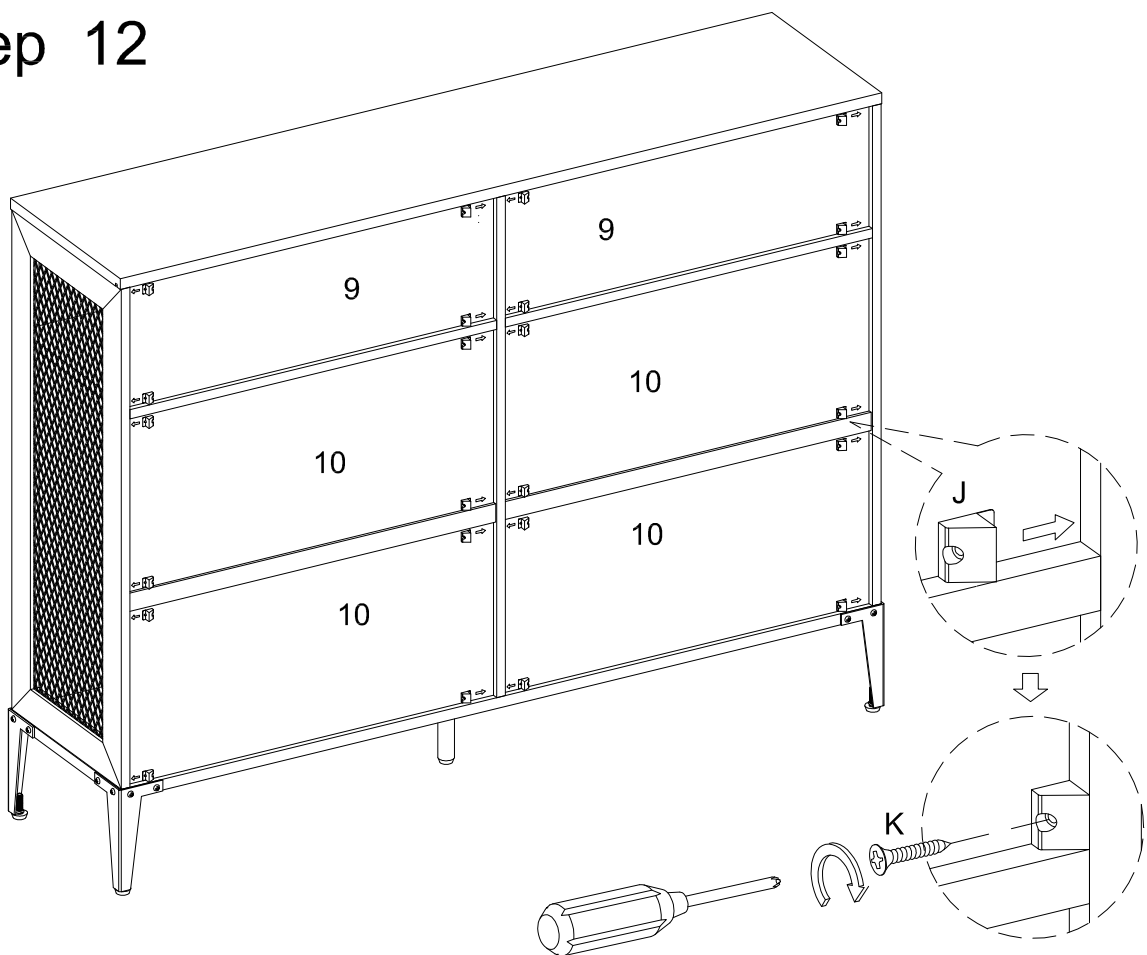
Step 10



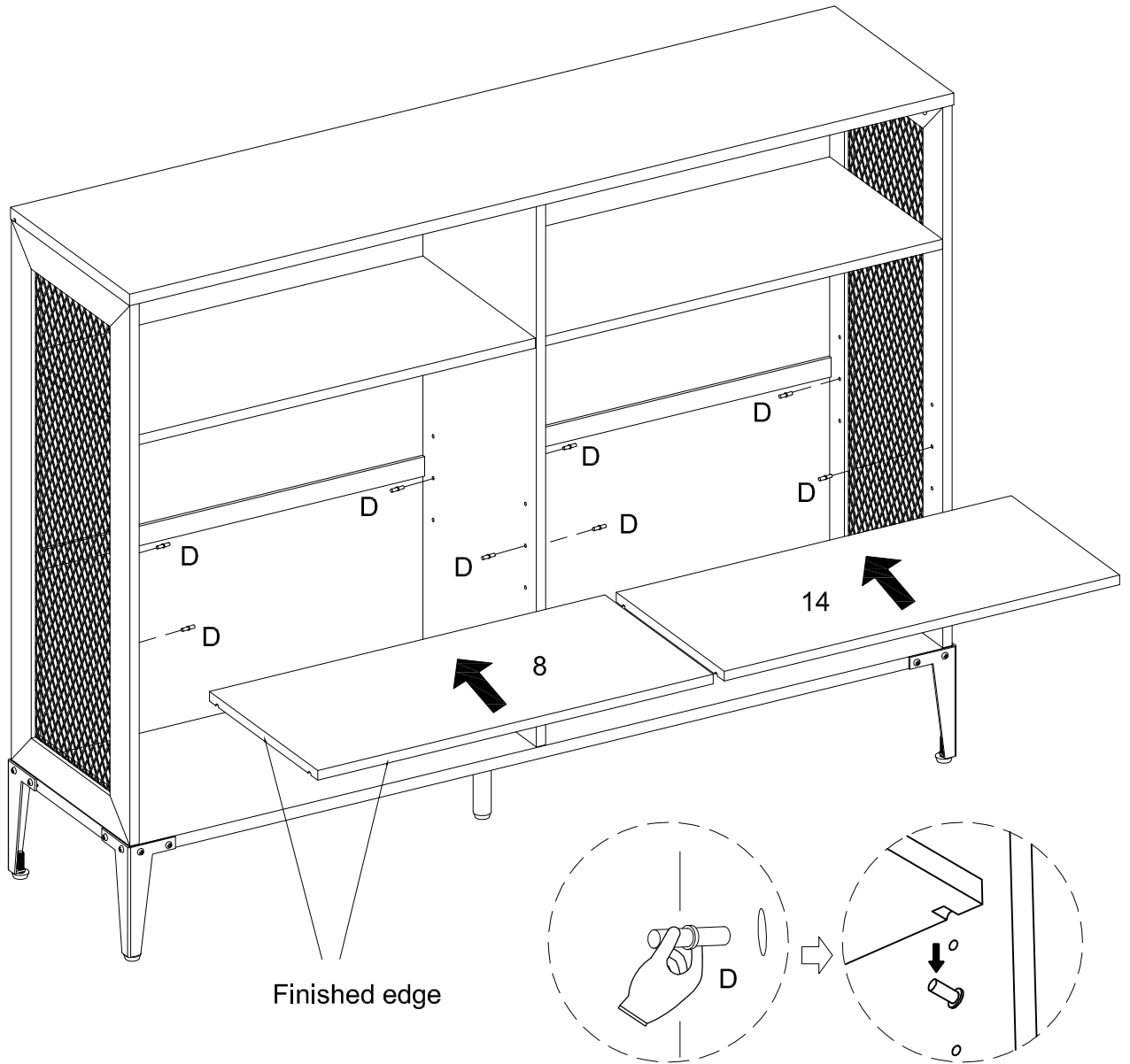
Step 11



Step 12



Step 13



Step 14

WARNING

You must install the tip restraint hardware to help prevent any accidents or damage to the unit. We strongly recommend attaching the tip restraint hardware to a wall stud and your unit. For all other wall types, please visit your local hardware store to obtain the proper hardware.

