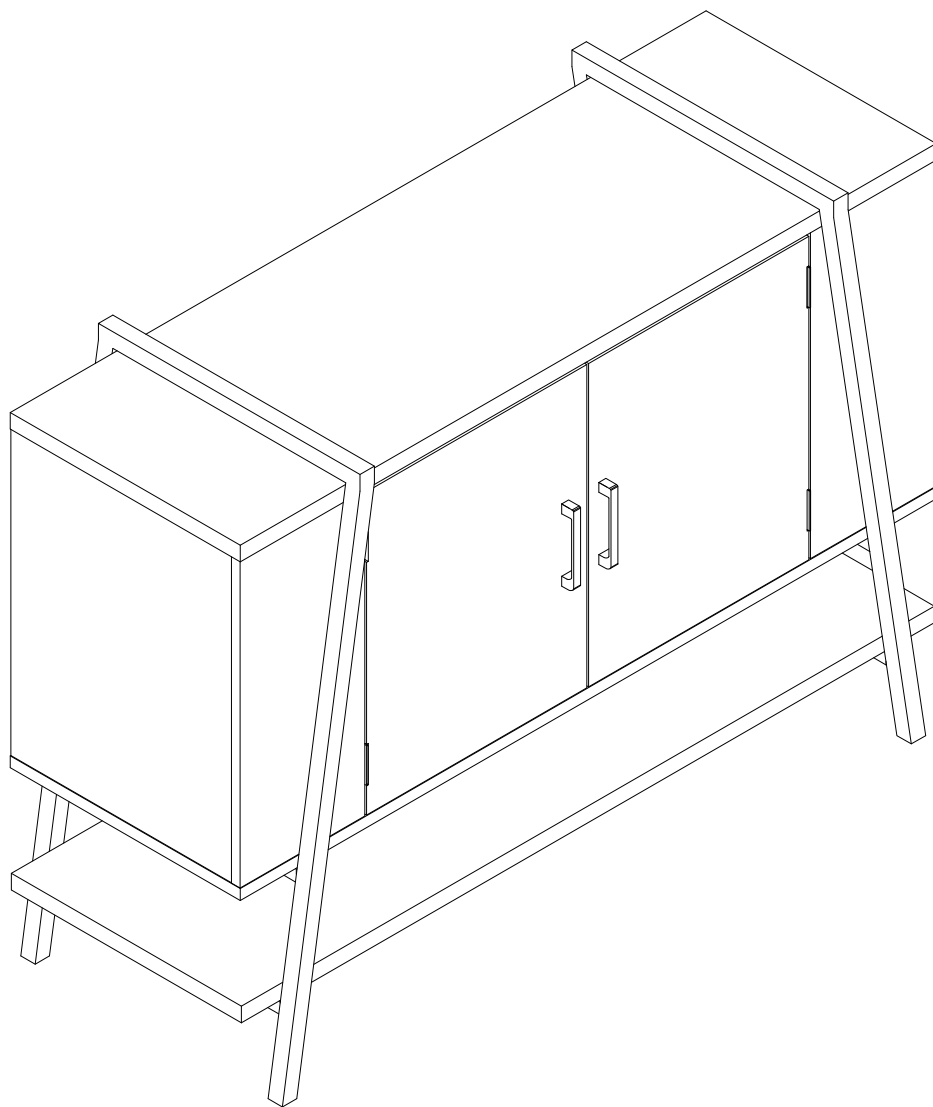
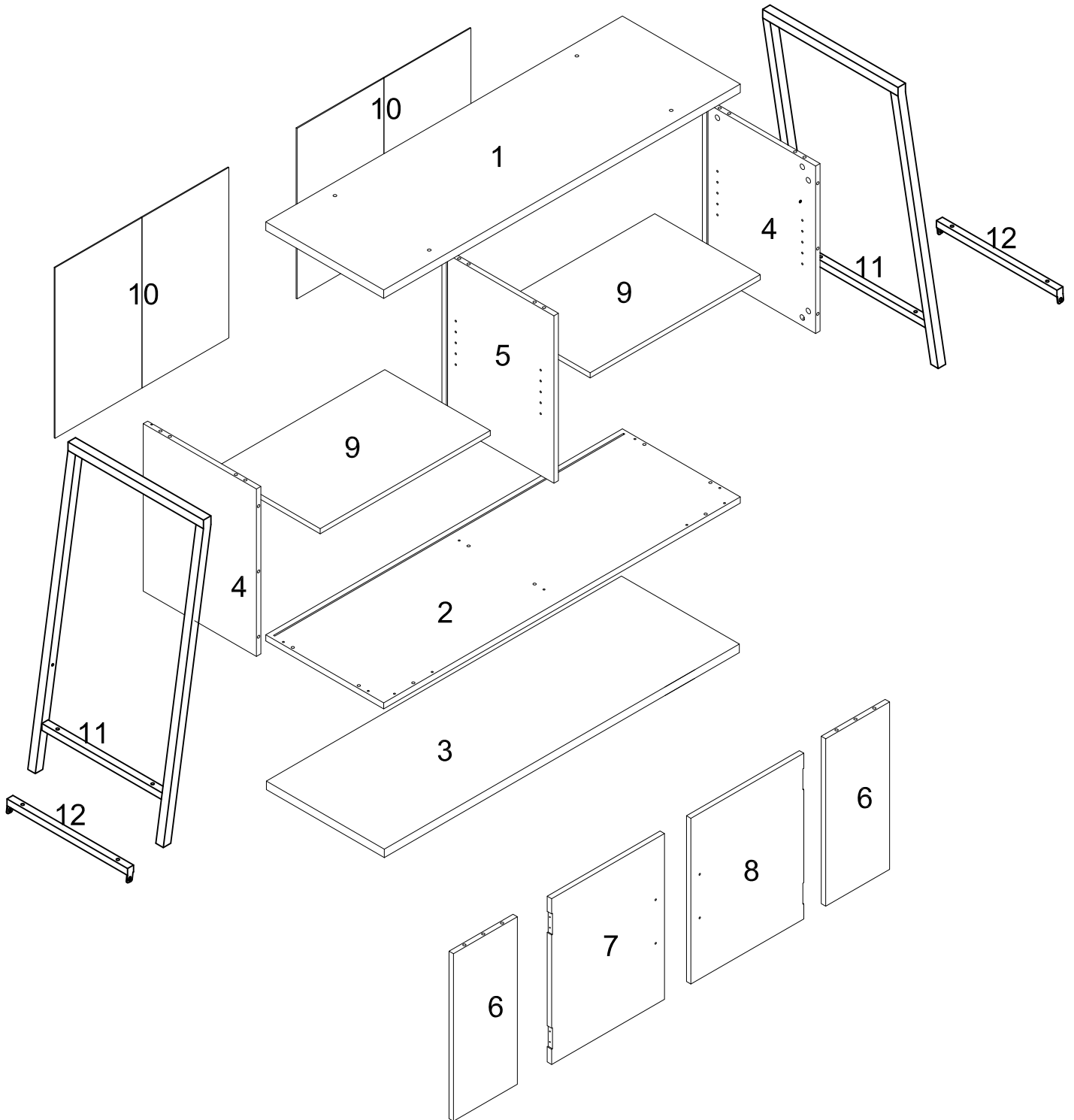


HOME SOURCE®

ASSEMBLY INSTRUCTION  
MODEL:H-5570-S MOP



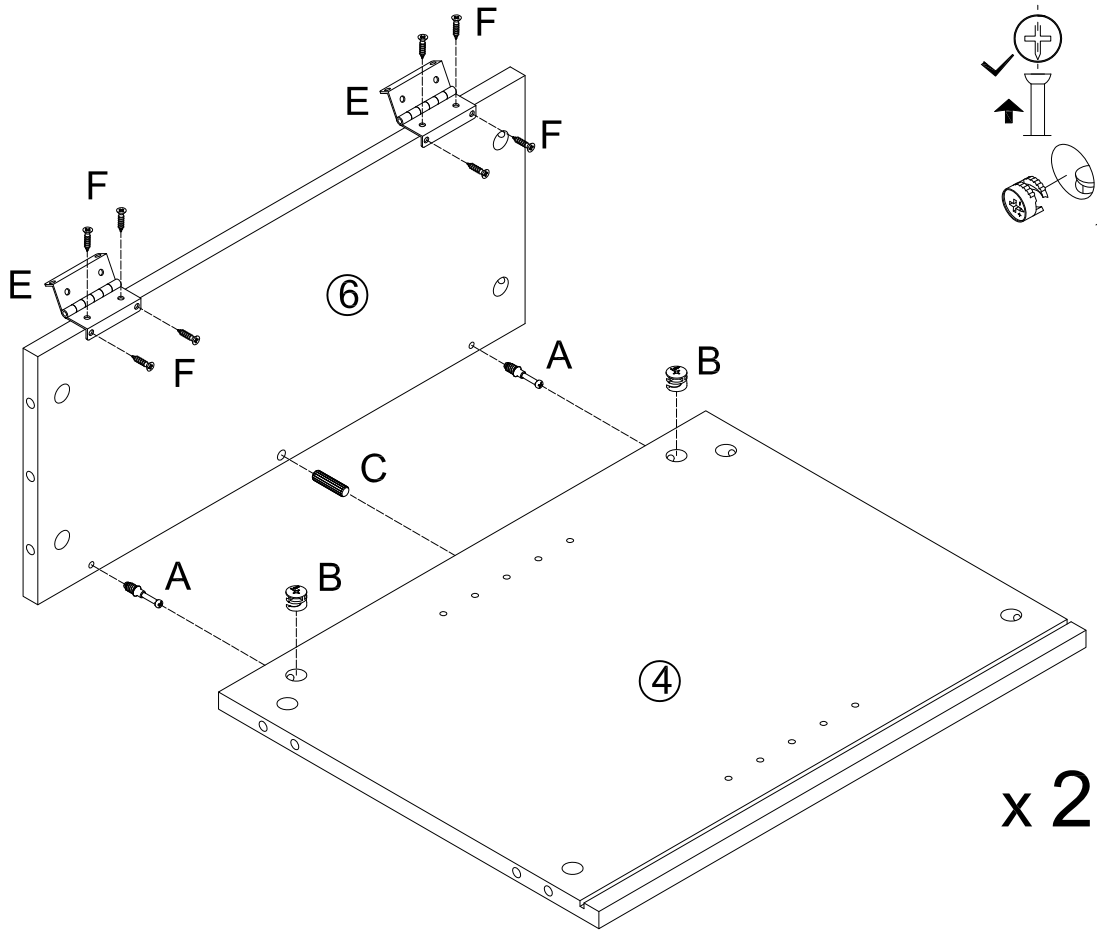
# Parts List



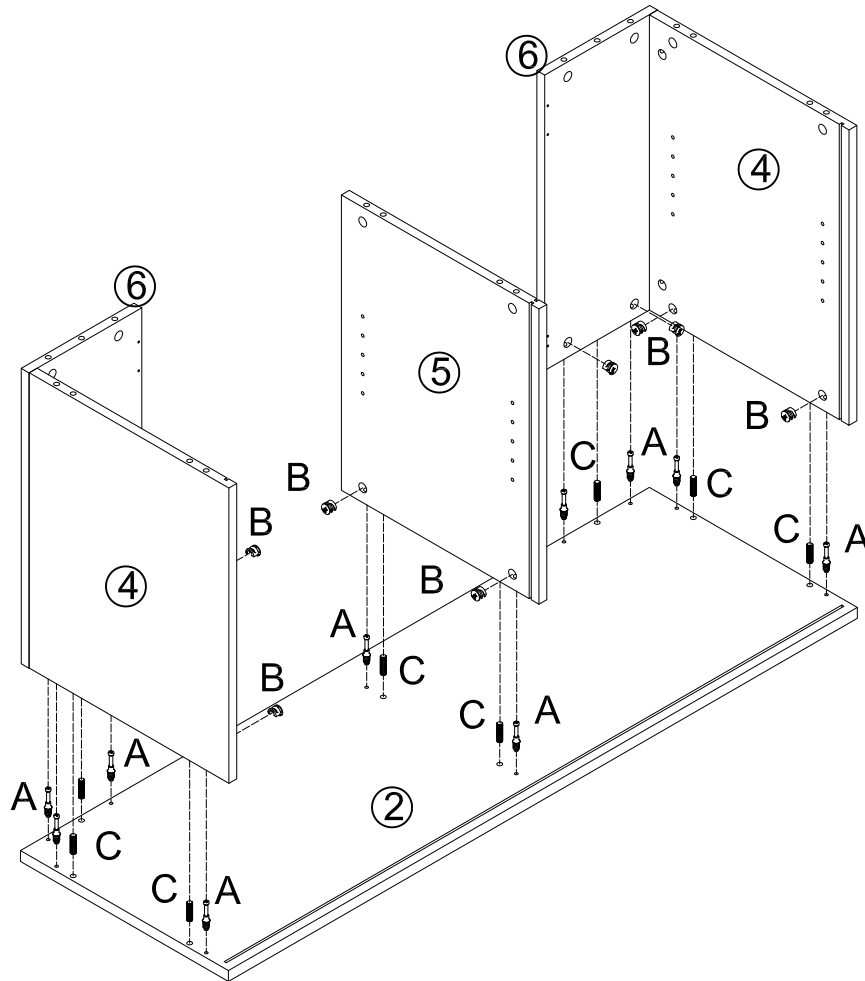
## Hardware List

A		Ø5*25mm	Bolt	24 pcs
B		Ø15*11mm	Nut	24 pcs
C		Ø8*30mm	Wood Dowel	18 pcs
D		Ø5*16mm	Shelf Support	8 pcs
E		60*30*25mm	Hinge	4 pcs
F		Ø3*15mm	Screw	32 pcs
G		44x16x12mm	Magnet	2 pcs
H		Ø3*15mm	Screw	4 pcs
I		30x22x1mm	Iron Sheet	2 pcs
J		Ø3*12mm	Screw	2pcs
K		Ø6*38mm	Bolt	4 pcs
L		Ø6*32mm	Bolt	8 pcs
M		Ø15*1mm	Handle	16 pcs
N		Ø4*20mm	Bolt	4 pcs
O		136*15*18mm	Handle	2 pcs
P		Ø6*12mm	Bolt	4pcs
Q			Anti-Tipping Kit	2 sets
R		M4	Allen Key	1 pc

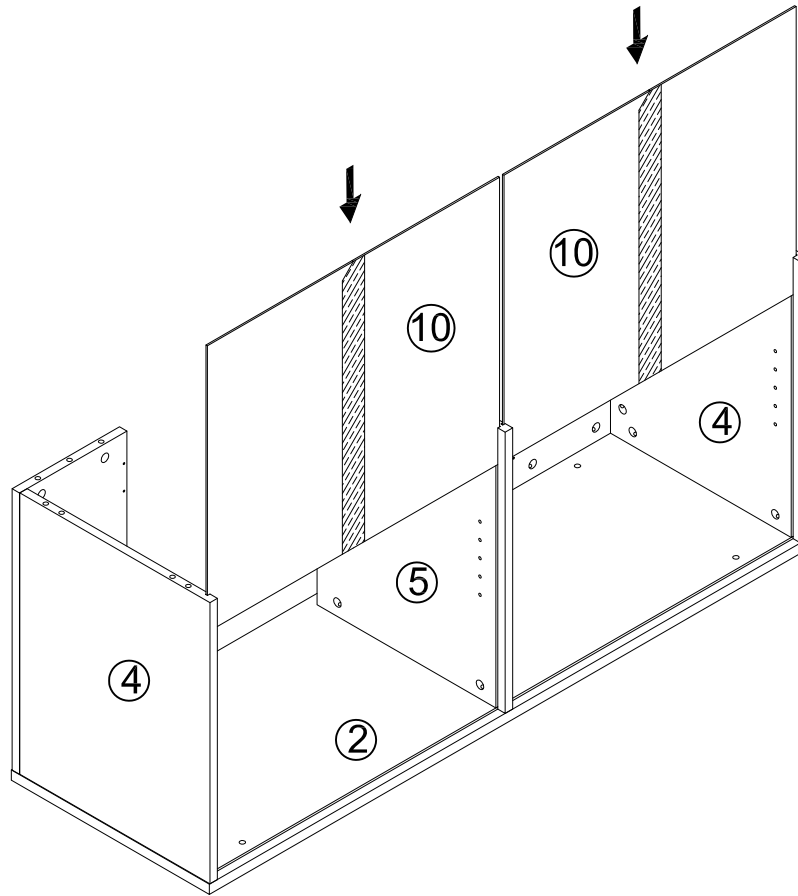
# Step 1



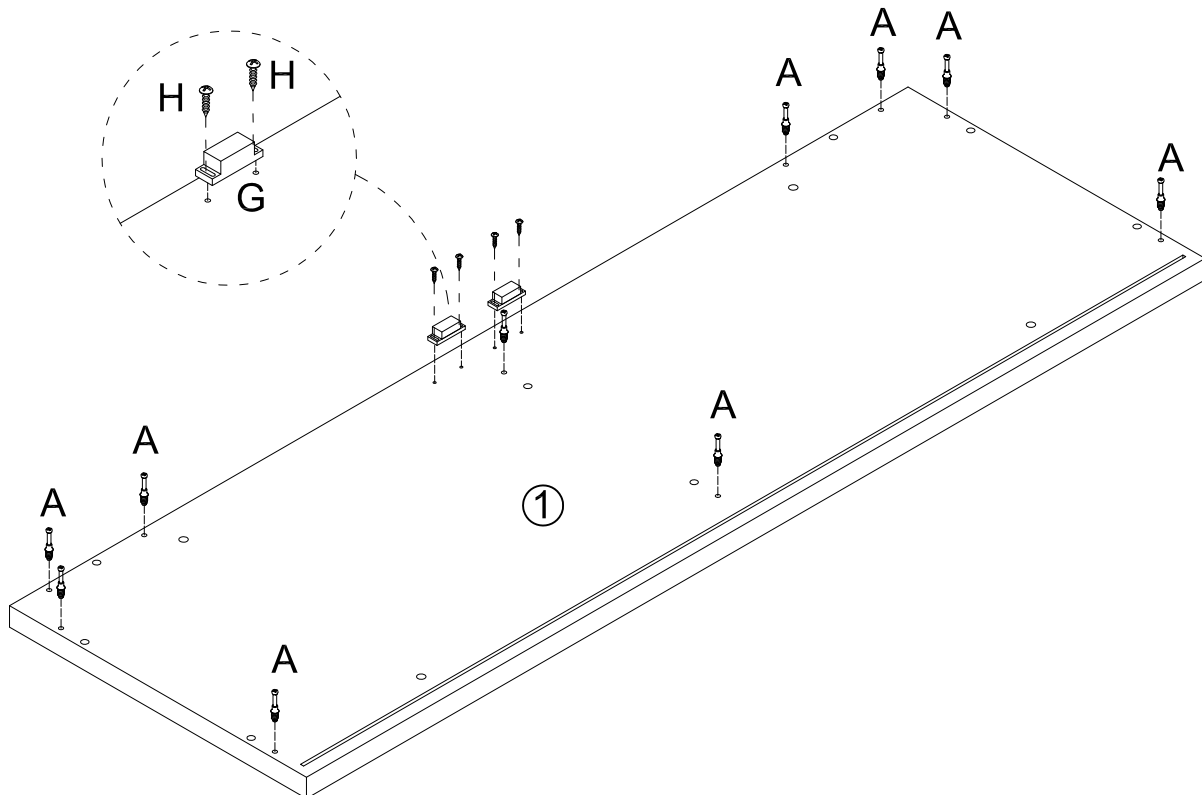
# Step 2



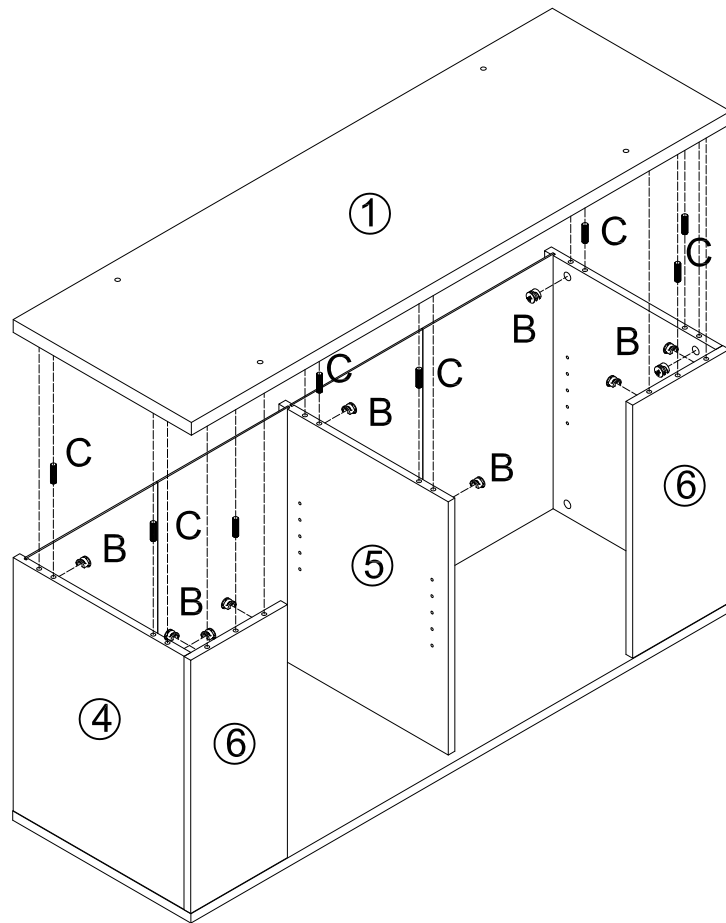
### Step 3



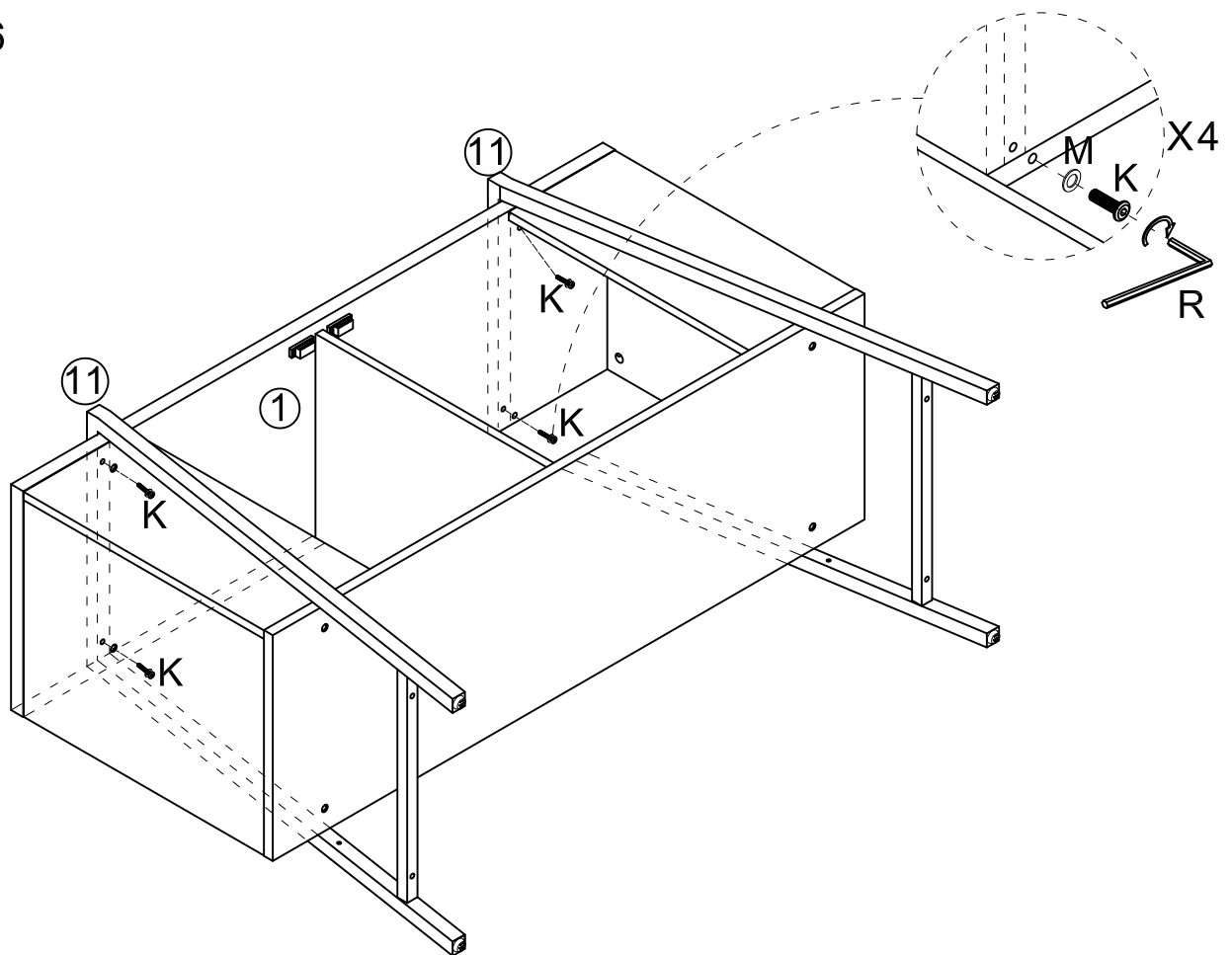
### Step 4



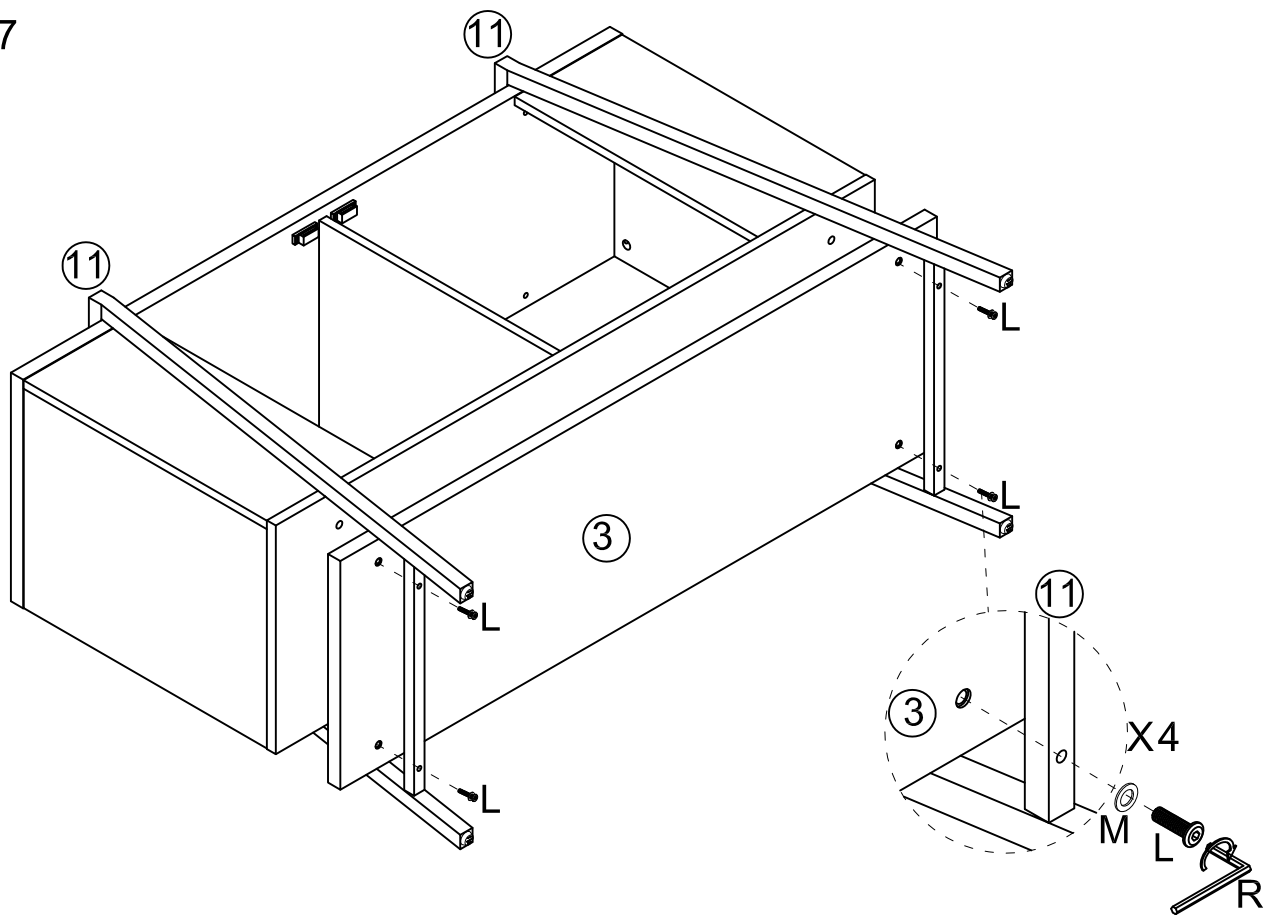
## Step 5



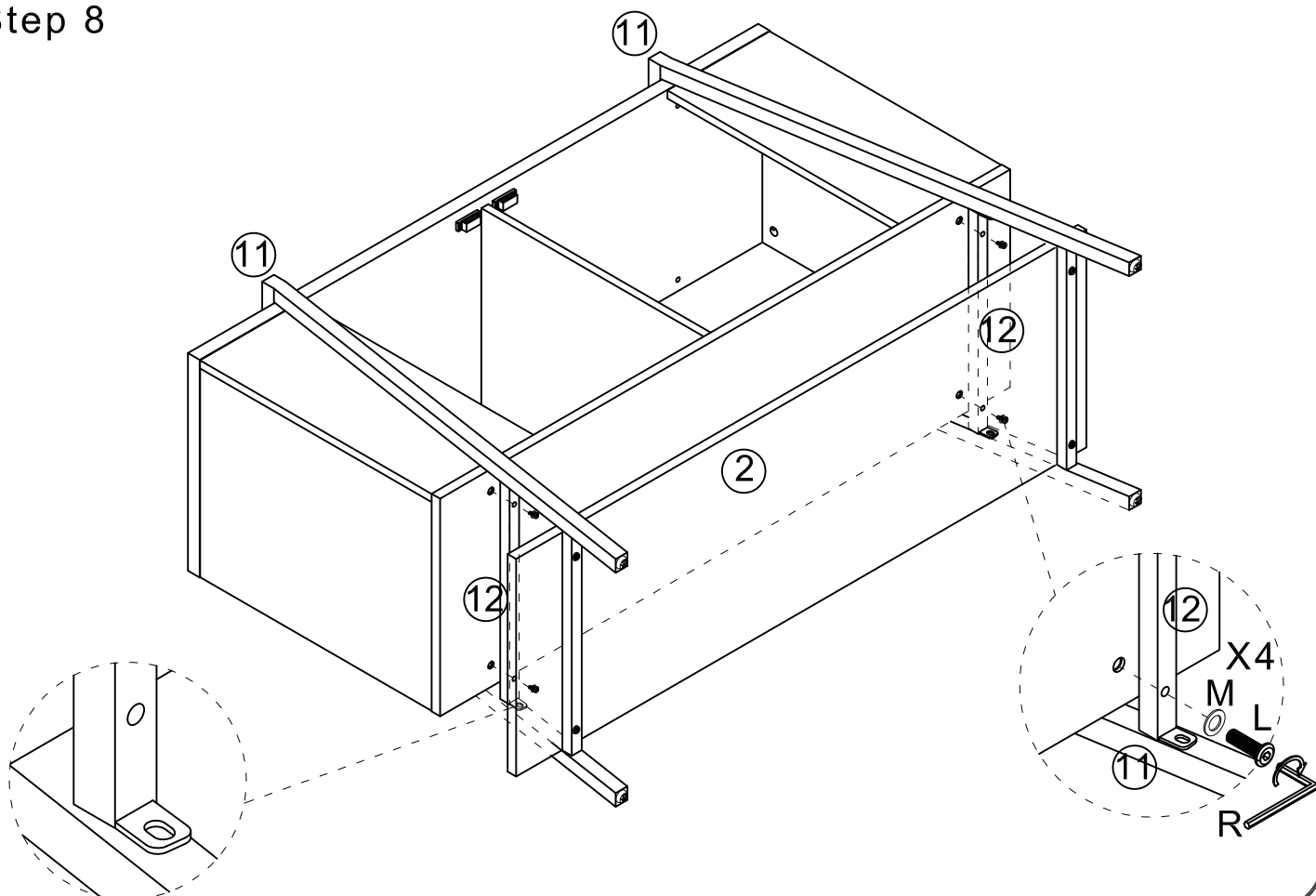
## Step 6



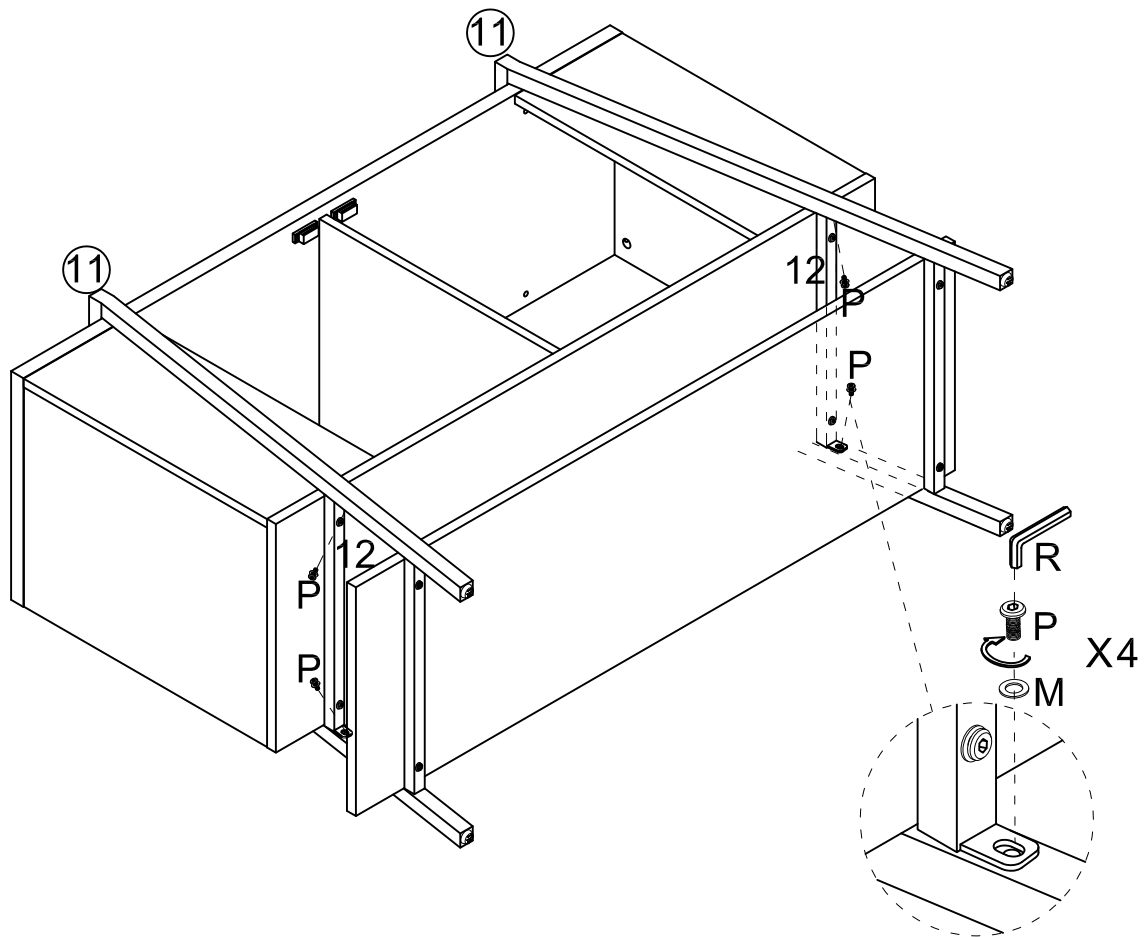
### Step 7



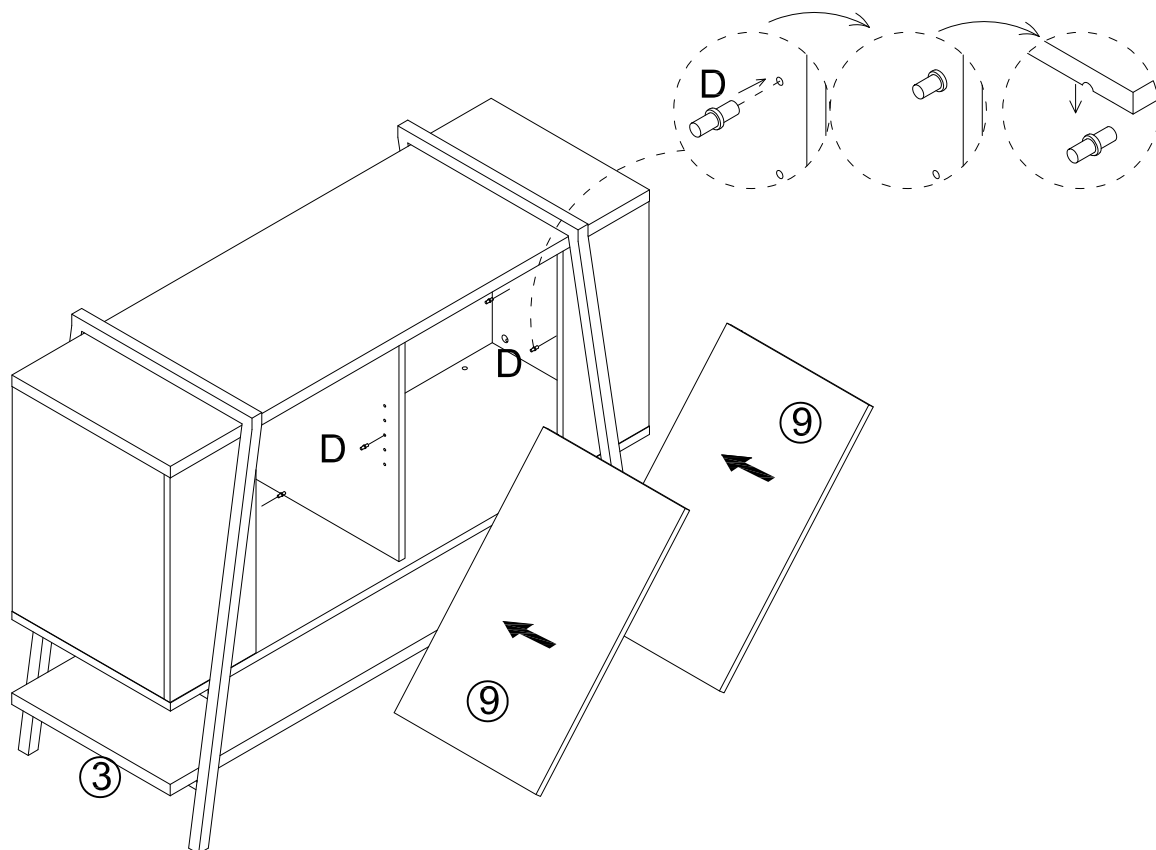
### Step 8



### Step 9

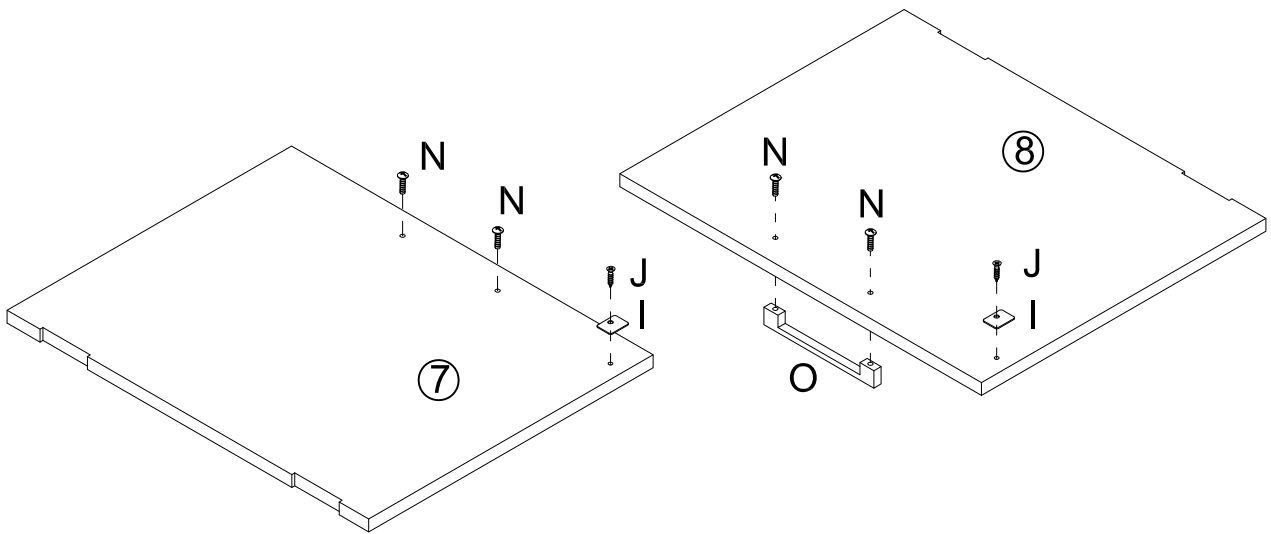


### Step 10

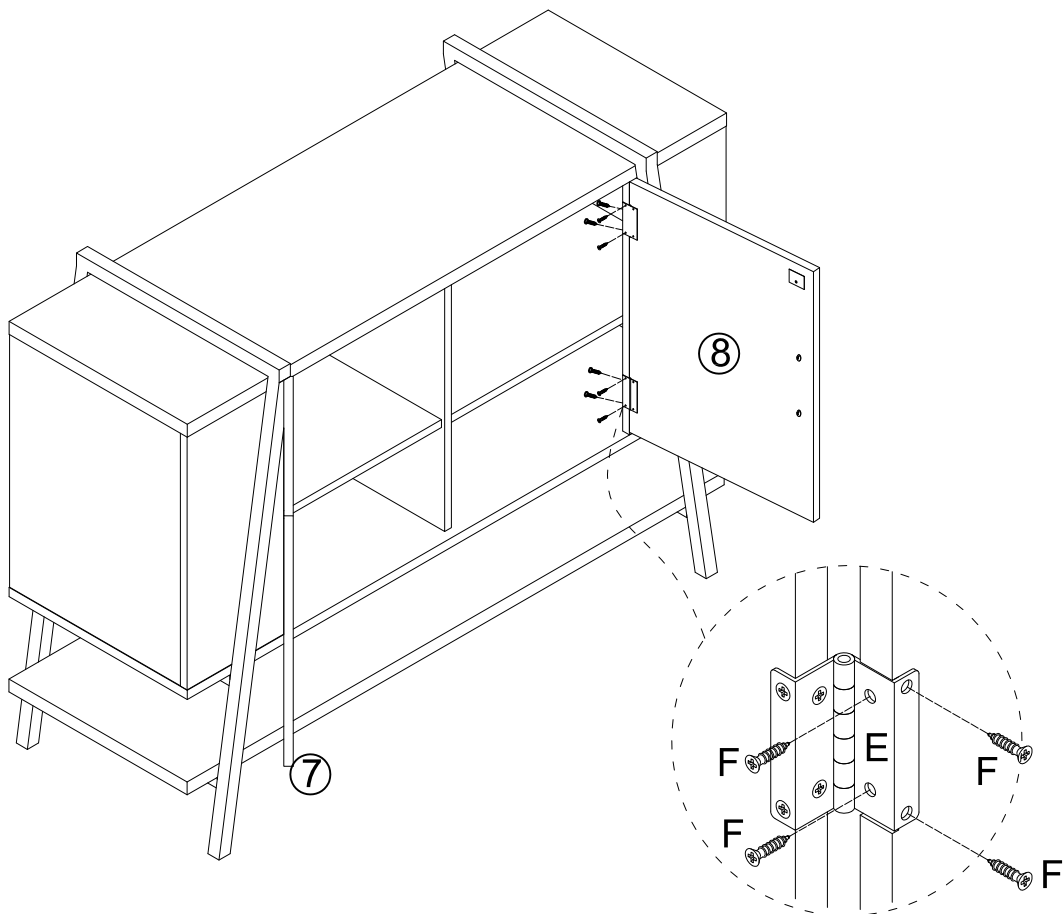




## Step 11



## Step 12



Step 13

