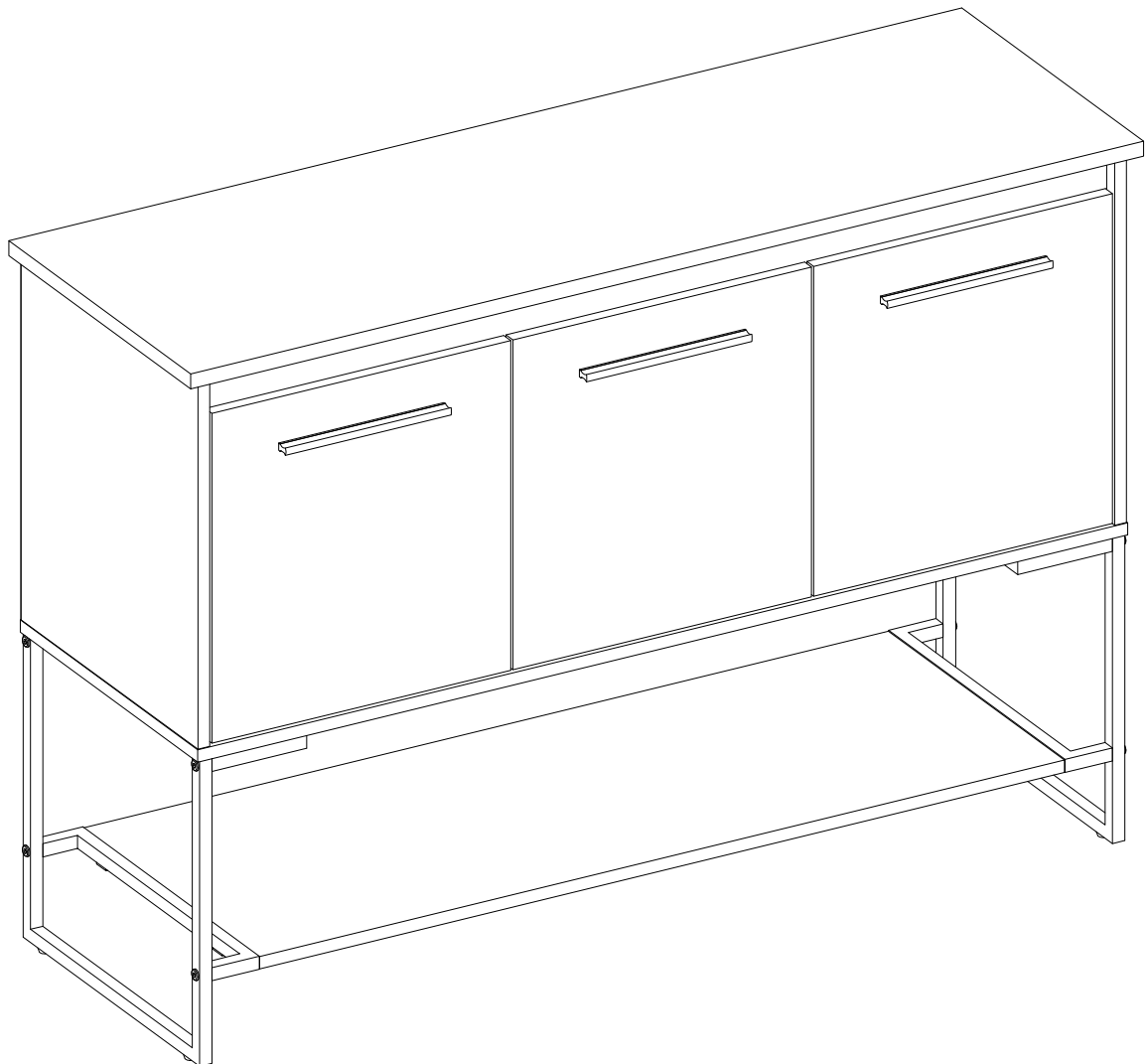


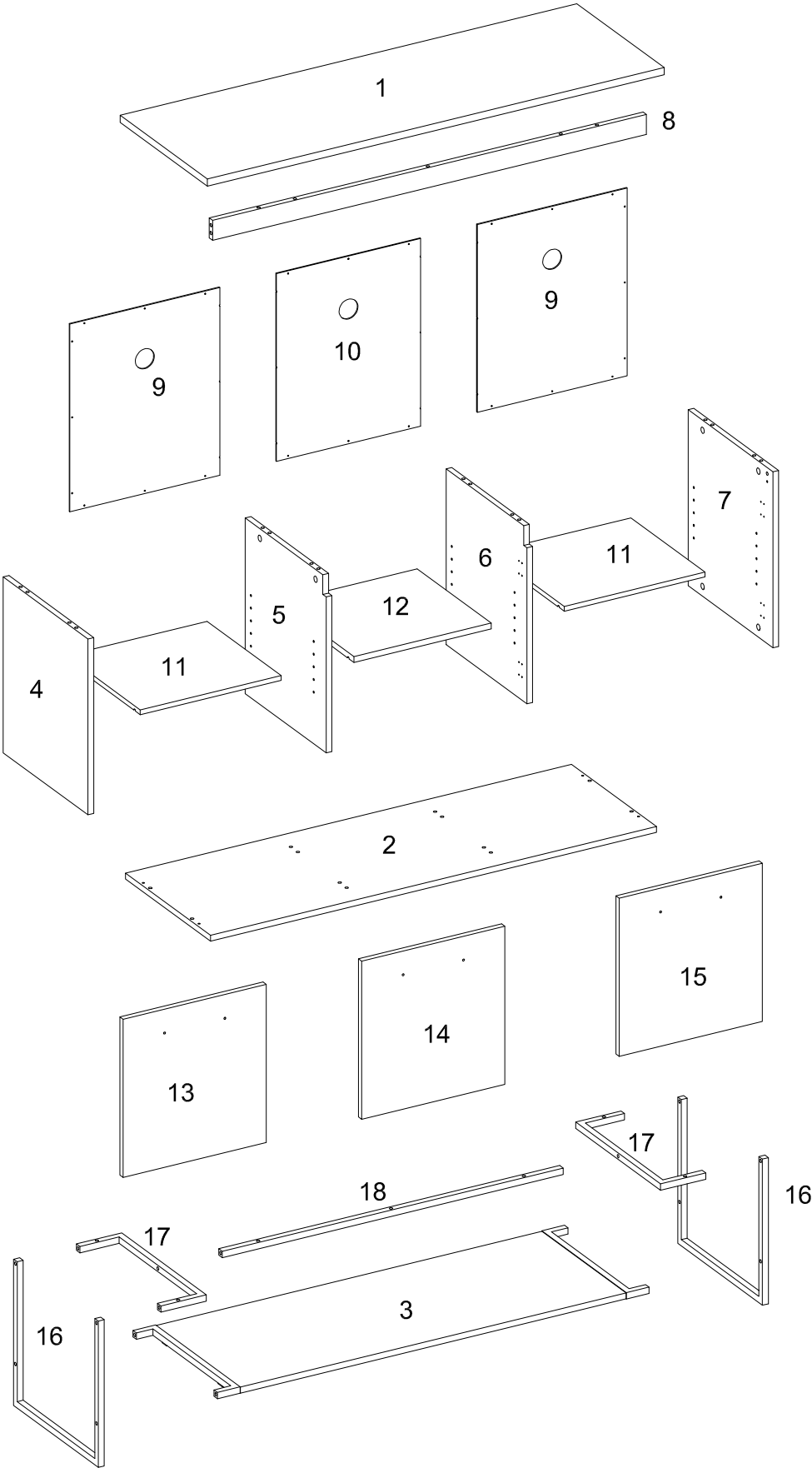
HOME SOURCE[®]

ASSEMBLY INSTRUCTION


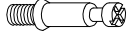





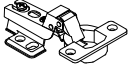




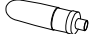



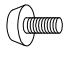

MODEL: H-5590 MOP-RBW / H-5590 MOP-CONCRETE

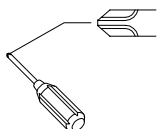


Parts List



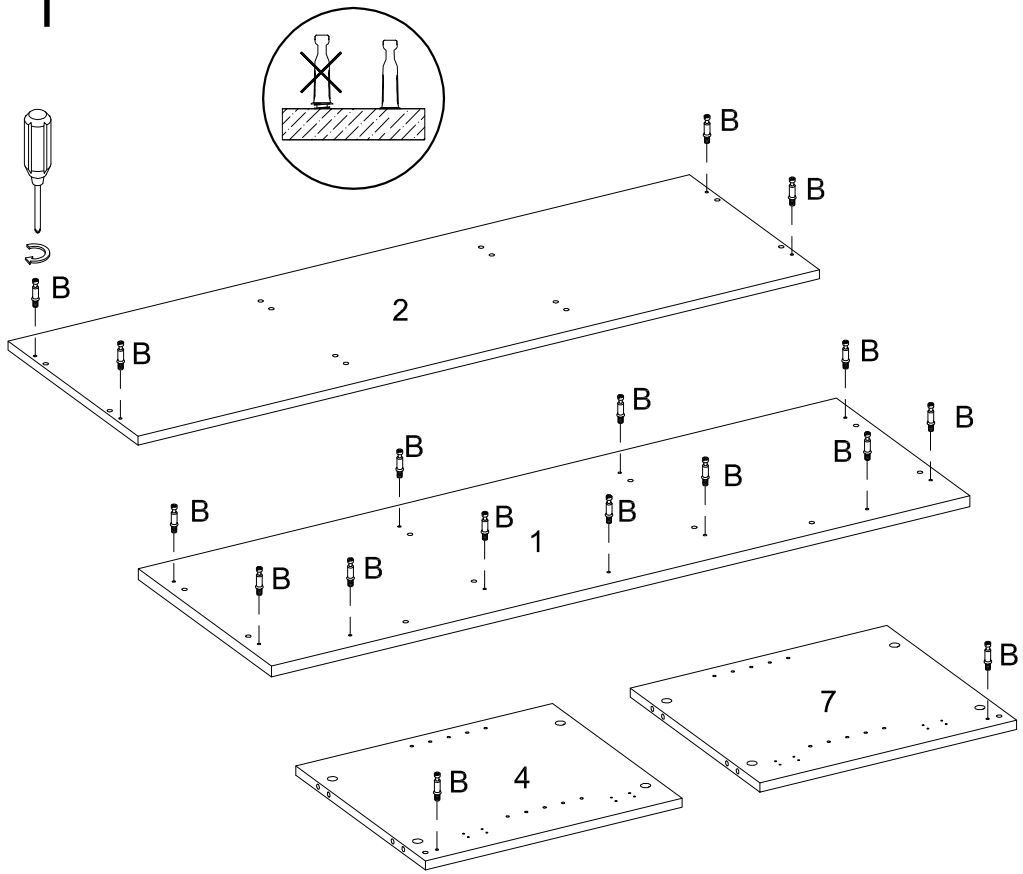
Hardware List

A		Ø8x30mm	Wooden dowel	20 pcs
B		Ø6x35mm	Cam bolt	17 pcs
C		Ø15x11mm	Cam lock	17 pcs
D			Shelf support pin	12 pcs
E			Sticker	17 pcs
F		Ø4x22mm	Bolt	6 pcs
G			Handle	3 pcs
H			Europe hinge	4 pcs
I		Ø3.5x14mm	Hinge screw	36 pcs
J		Ø3x15mm	Screw	30 pcs
K			Europe hinge	2 pcs
L		Ø6x50mm	Screw	4 pcs
M			Glue	1 pcs
N		Ø1/4"x25mm	Bolt	7 pcs
O		Ø1/4"x40mm	Bolt	10 pcs
P		M 4	Hexagon socket key	1 pcs
Q			Adjustable cap	4 pcs
R		Tipping Restraint Hardware (Inside Plastic White Bag)		2 pcs

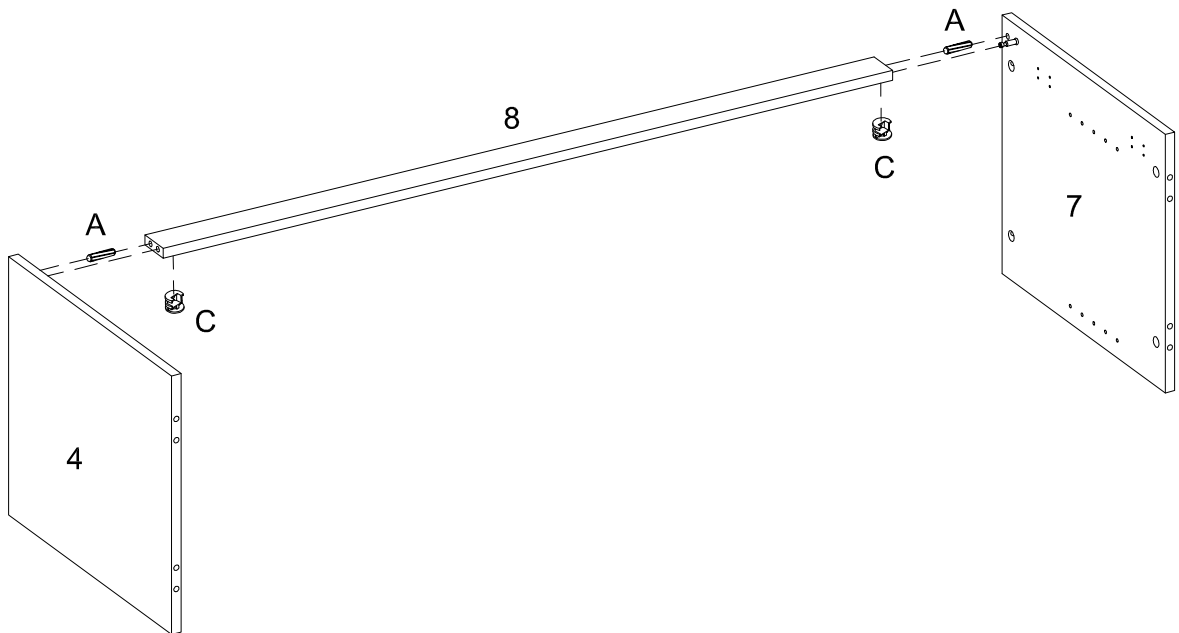
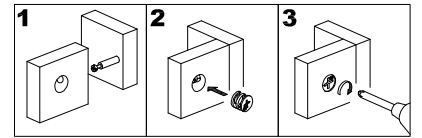


Philips head screwdriver required for assembly
(not included)

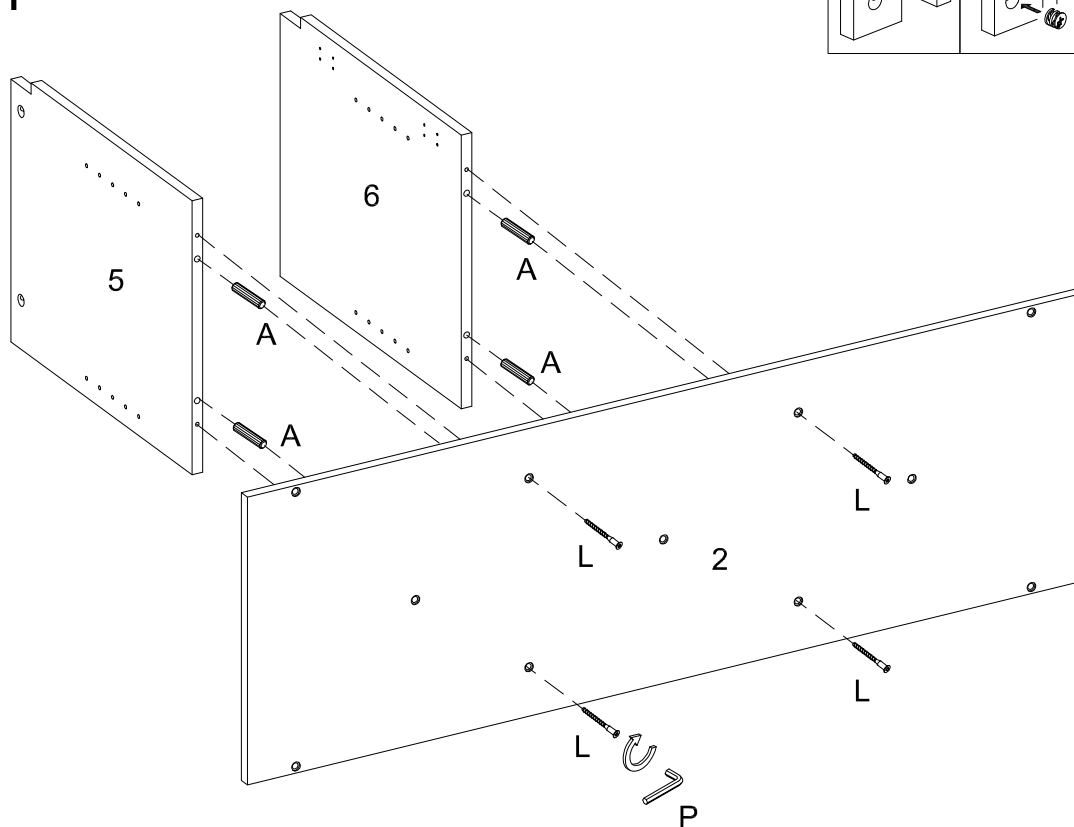
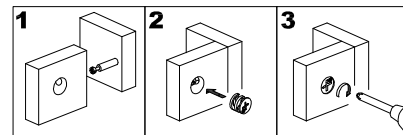
Step 1



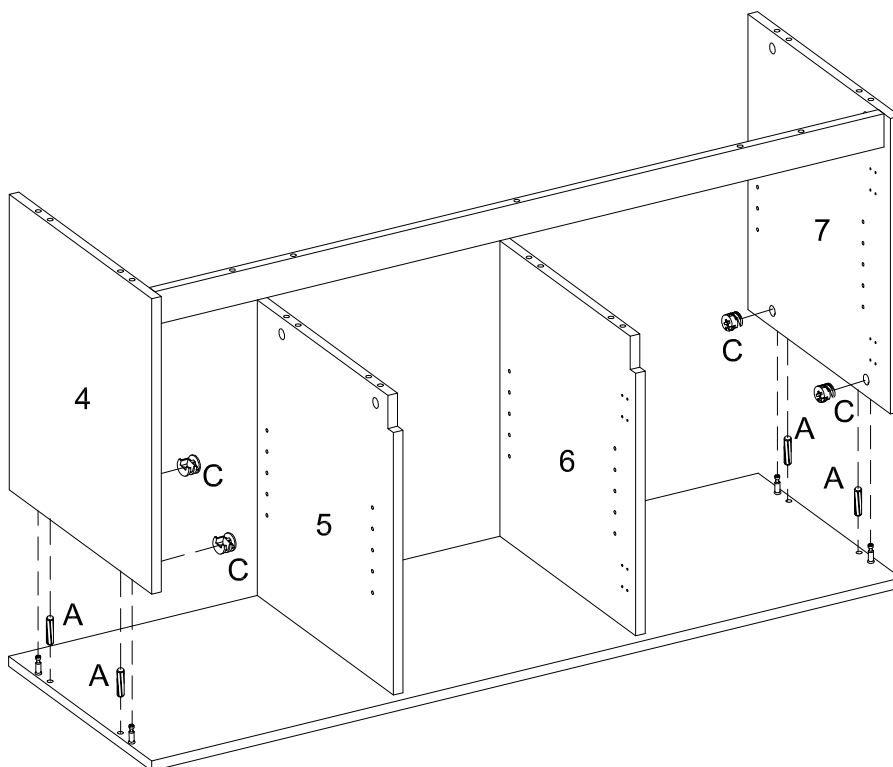
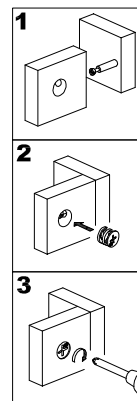
Step 2



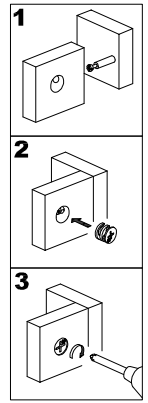
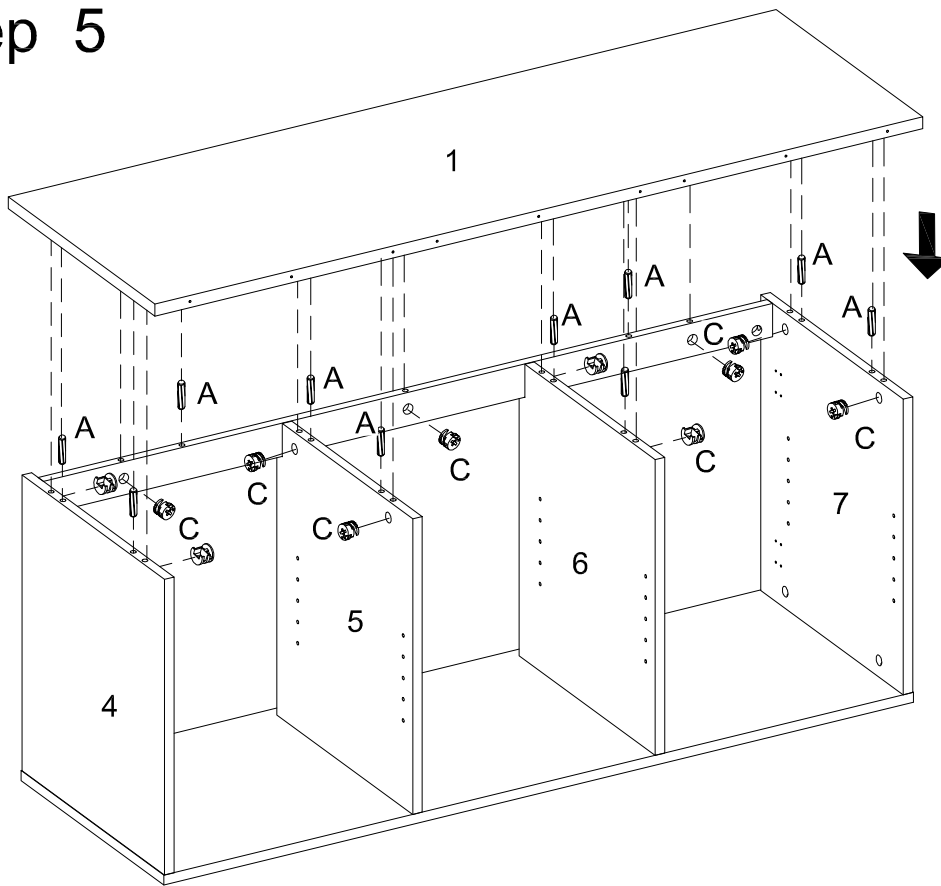
Step 3



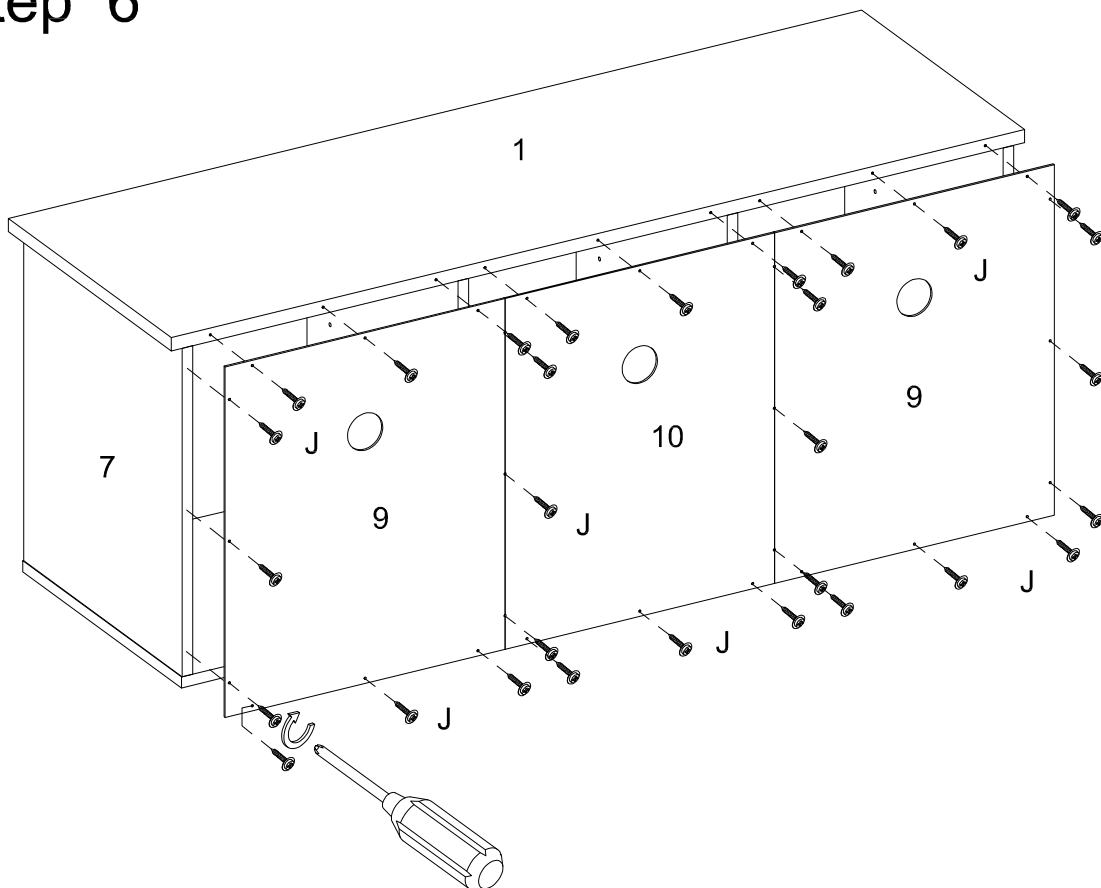
Step 4



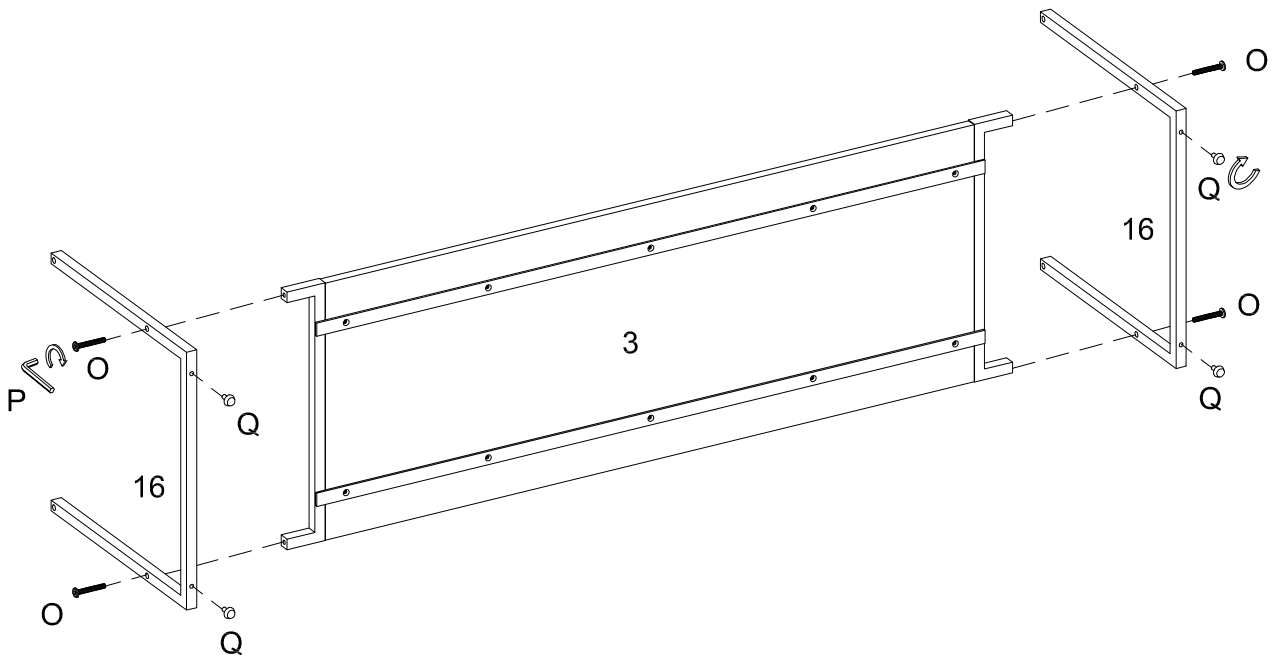
Step 5



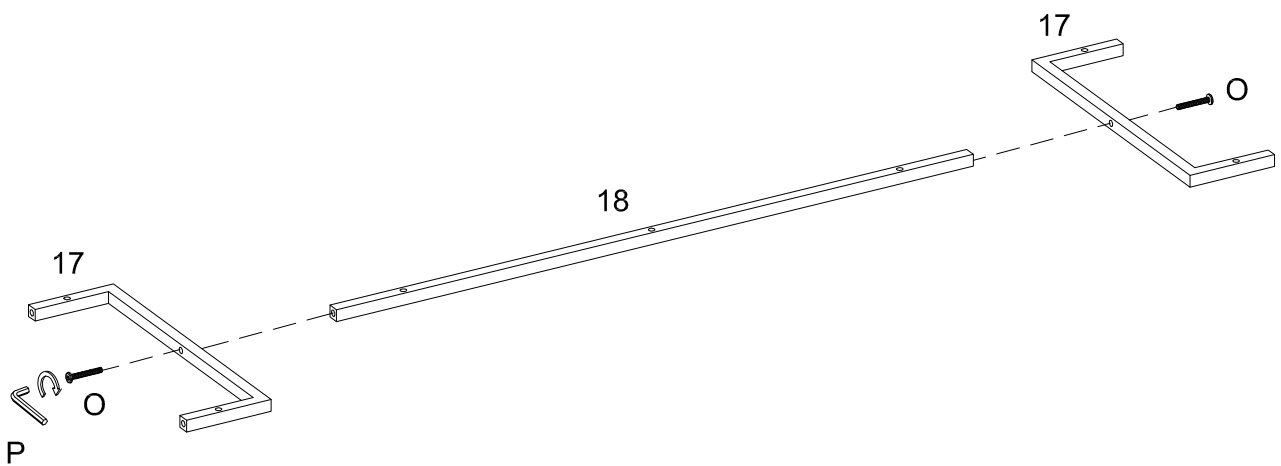
Step 6



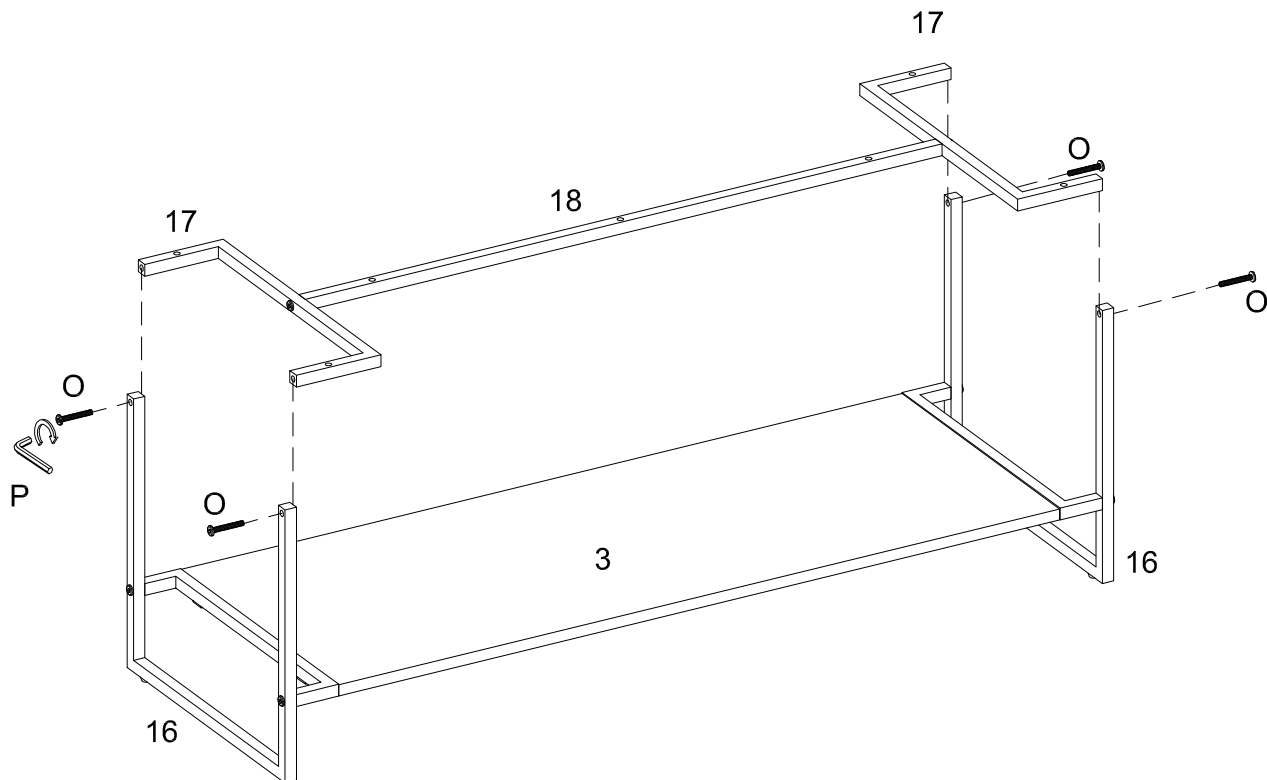
Step 7



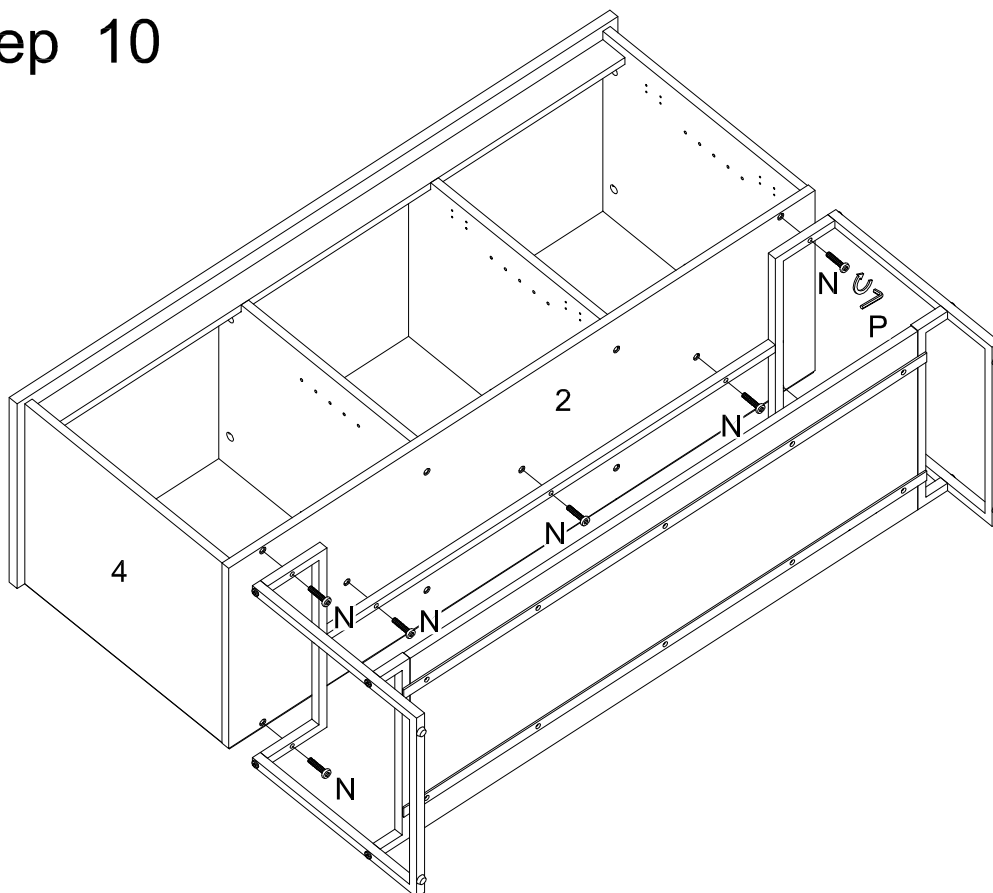
Step 8



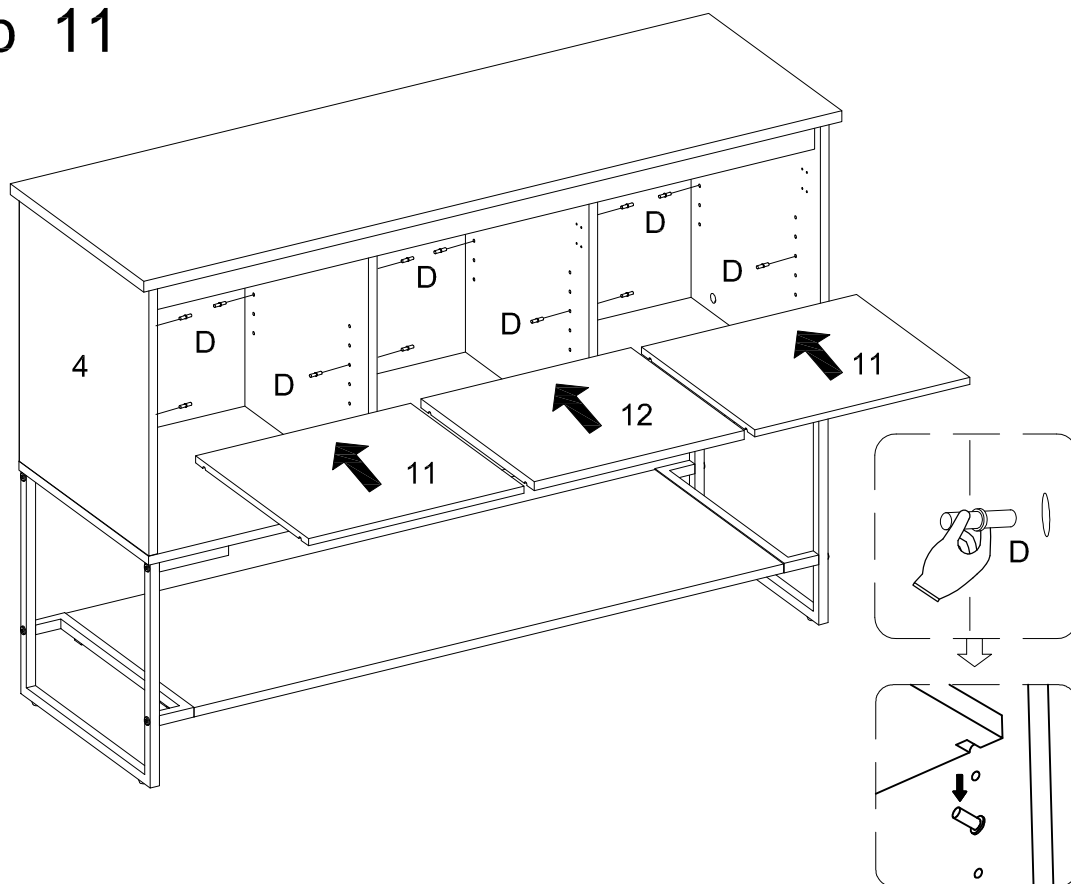
Step 9



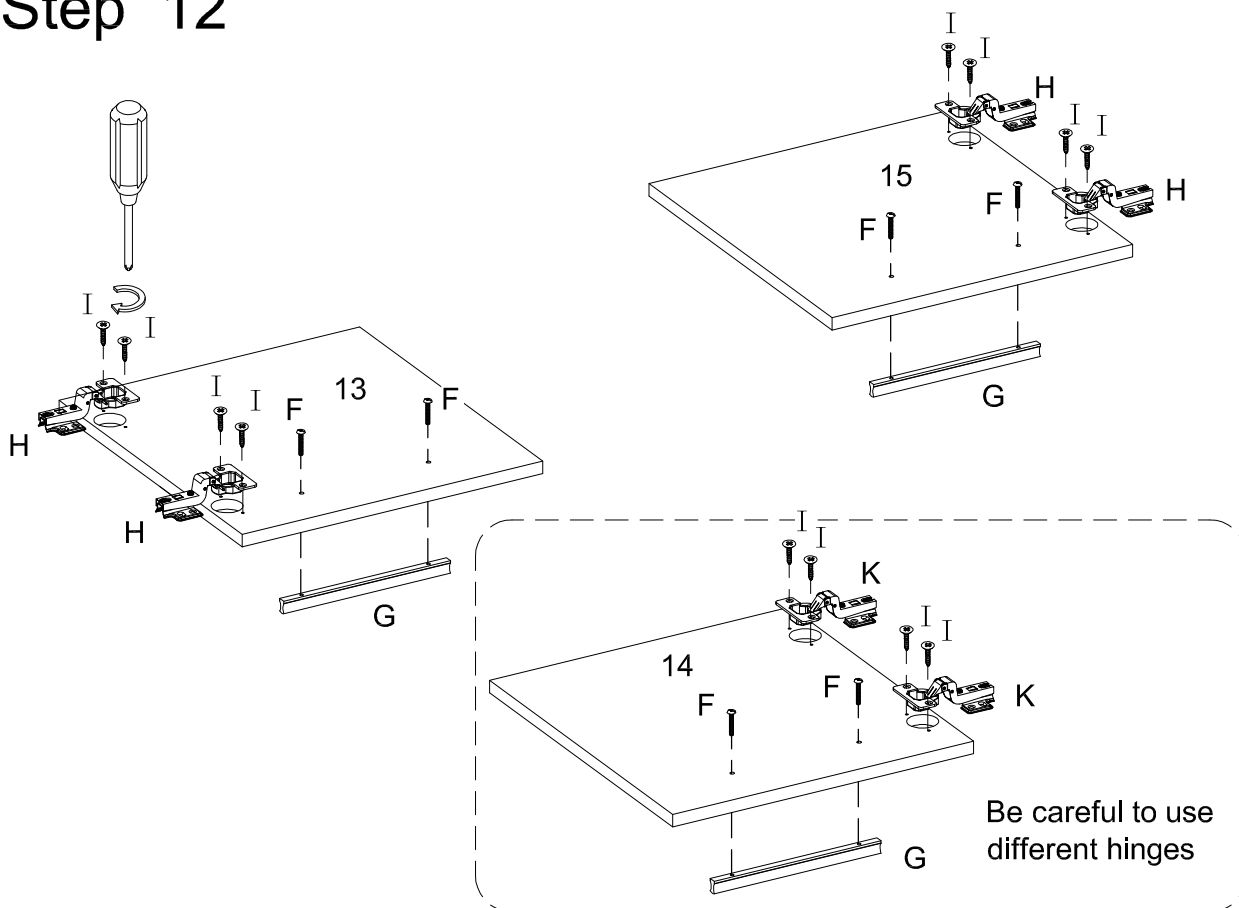
Step 10



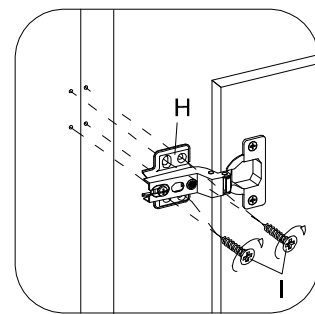
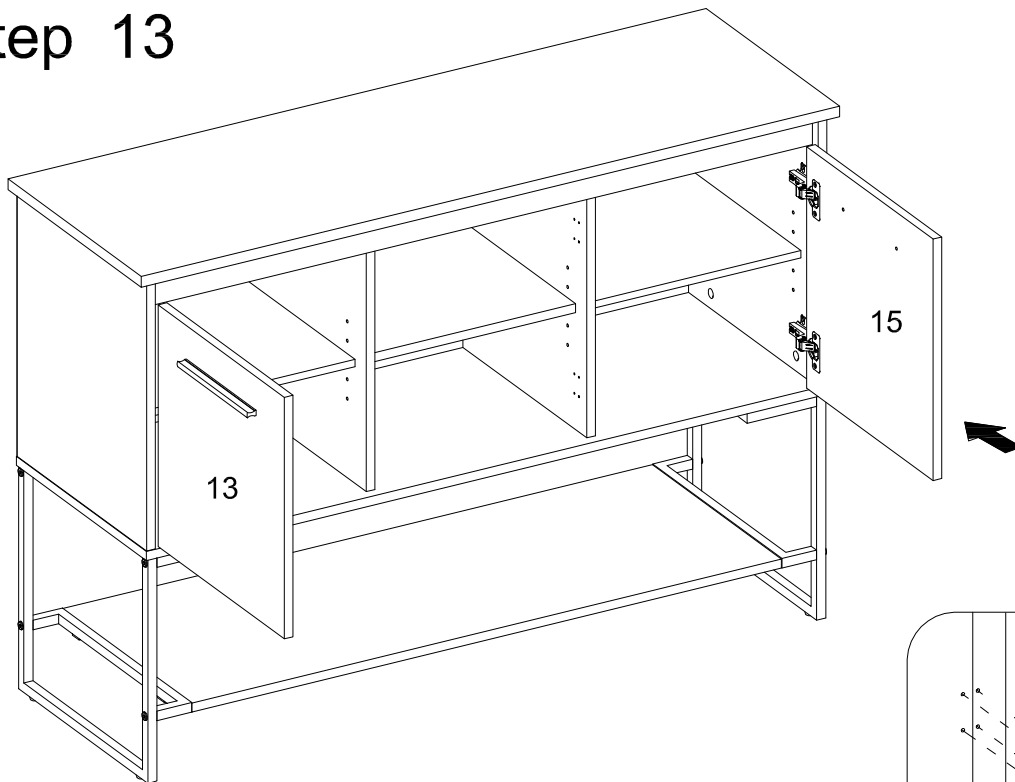
Step 11



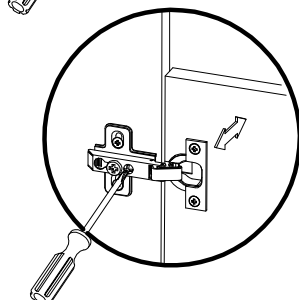
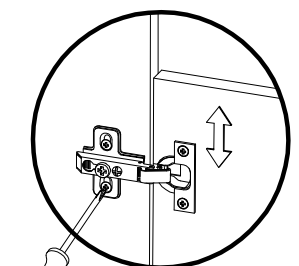
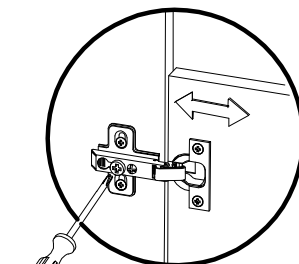
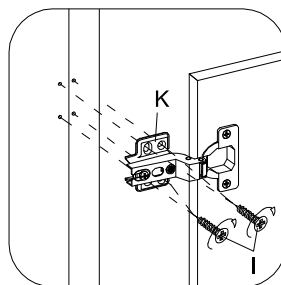
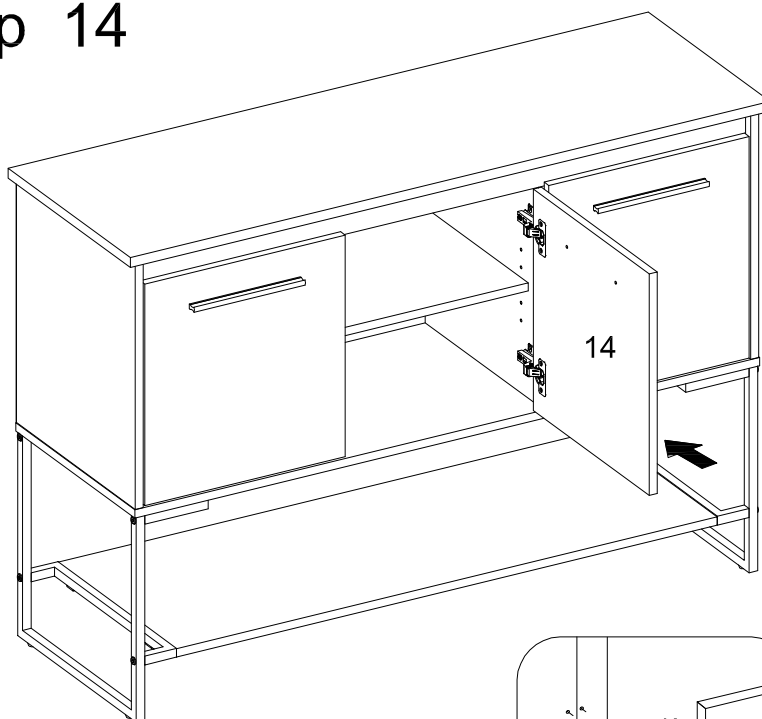
Step 12



Step 13



Step 14



Step 15

WARNING

You must install the tip restraint hardware to help prevent any accidents or damage to the unit. We strongly recommend attaching the tip restraint hardware to a wall stud and your unit. For all other wall types, please visit your local hardware store to obtain the proper hardware.

