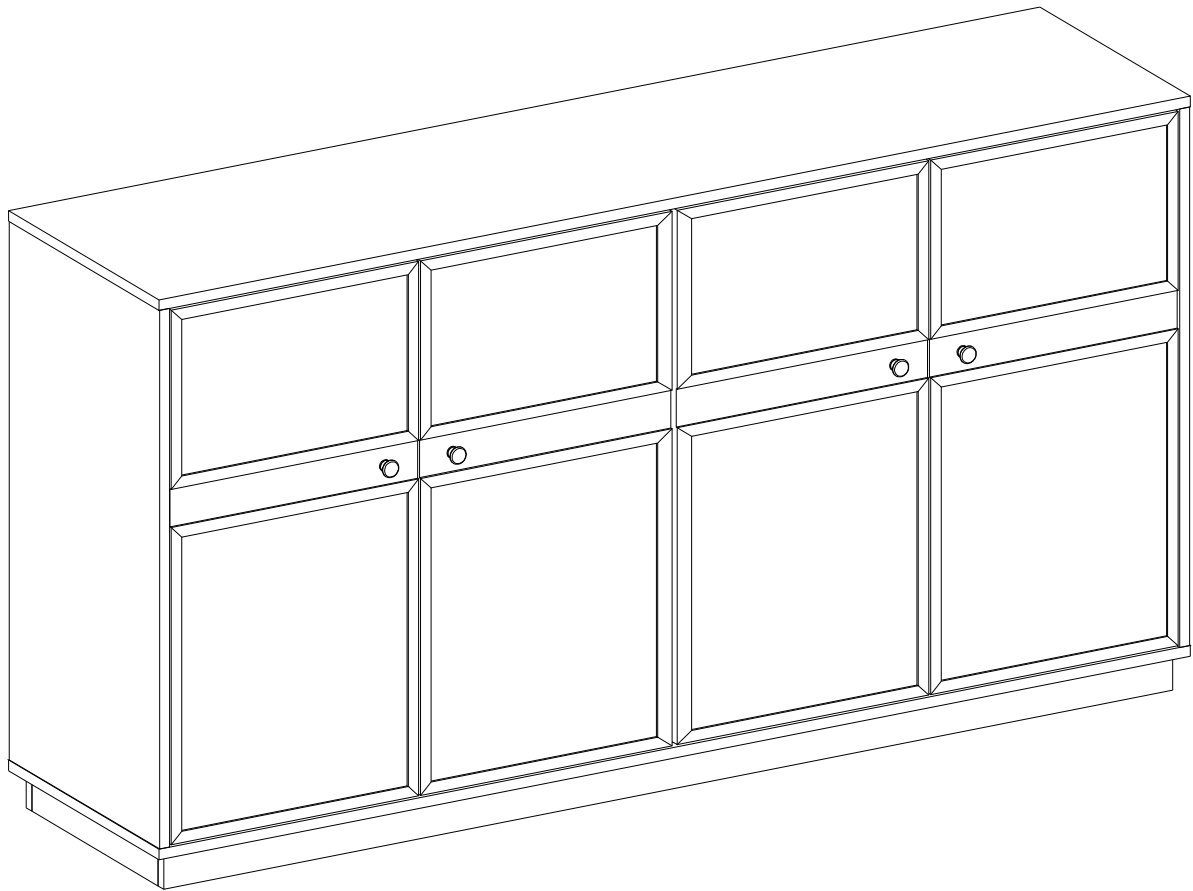


Item # : BU62NOA4D Assembly Instructions



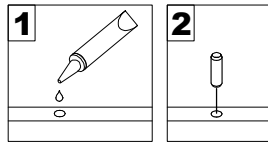
Walker Edison®

Please visit our website for the most current instructions, assembly tips, report damage, or request parts. www.walkeredison.com

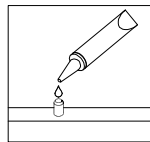
Revised 08/07/2020 (1)

General Assembly Guidelines

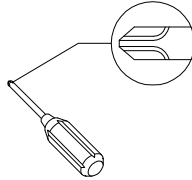
- I. Ensure that all parts and hardware are available before beginning assembly.
- II. Follow each step carefully to ensure the proper assembly of this product.
- III. Two people are recommended for ease in the assembly of this product.
- IV. The three main types of hardware used to assemble this product are : wood dowels , screws and bolts.
- V. The provided glue is to secure wood dowels in place . When first inserting dowels , locate the appropriate hole for the dowel , place a small amount of glue in the hole and insert the dowel . Wipe away excess glue immediately.



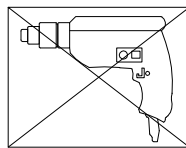
In future assembly steps when dowels are necessary to attach assembly parts together , place a small amount of glue on the end of the dowel before attaching parts together . Wipe away excess glue immediately.



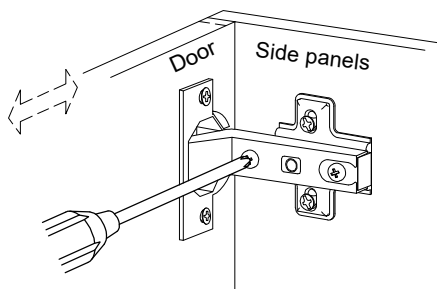
- VI. A Phillips head screwdriver is required for the assembly of this product .



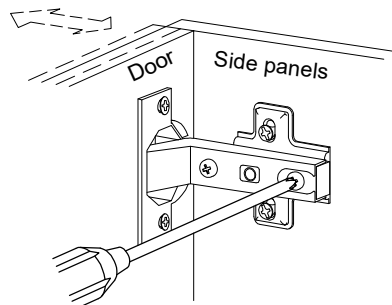
- VII. Power tools should not be used to assemble this product .



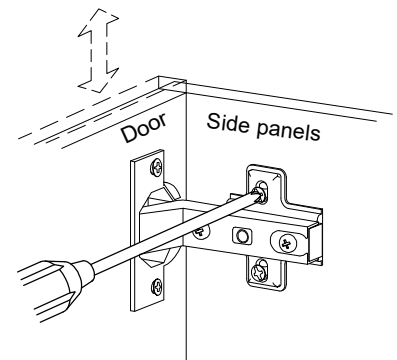
- VIII. Concealed hinges are three-way adjustable.



Horizontal
by screw adjustment

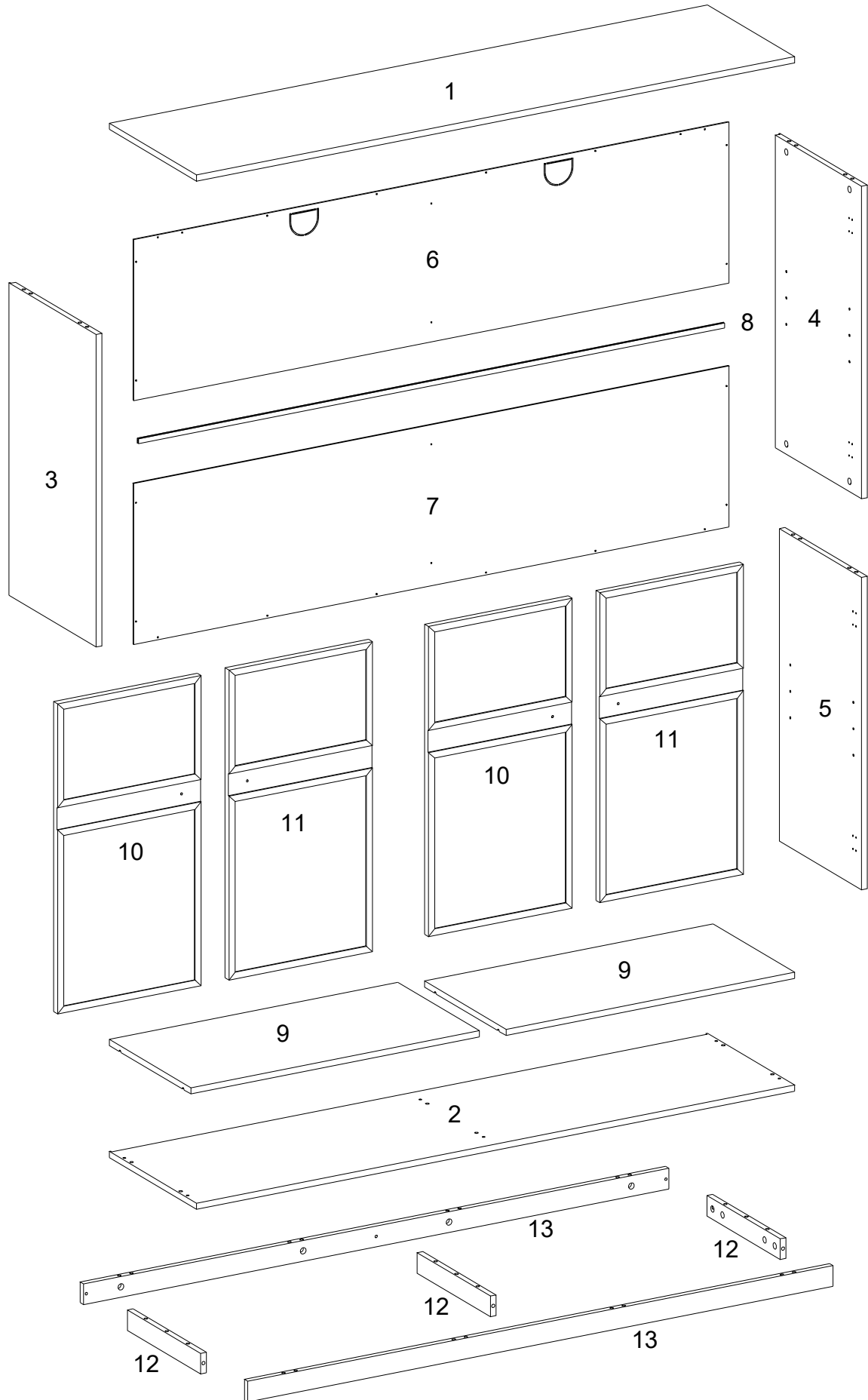


In-and-Out
by loosening the hinge-arm
mounting screw or via cam
adjustment


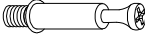


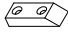
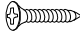








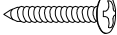


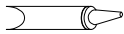


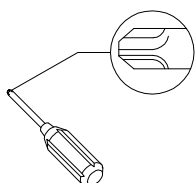
Vertical
Via slots in the mounting
plate or via cam adjustment

Parts List



Hardware List

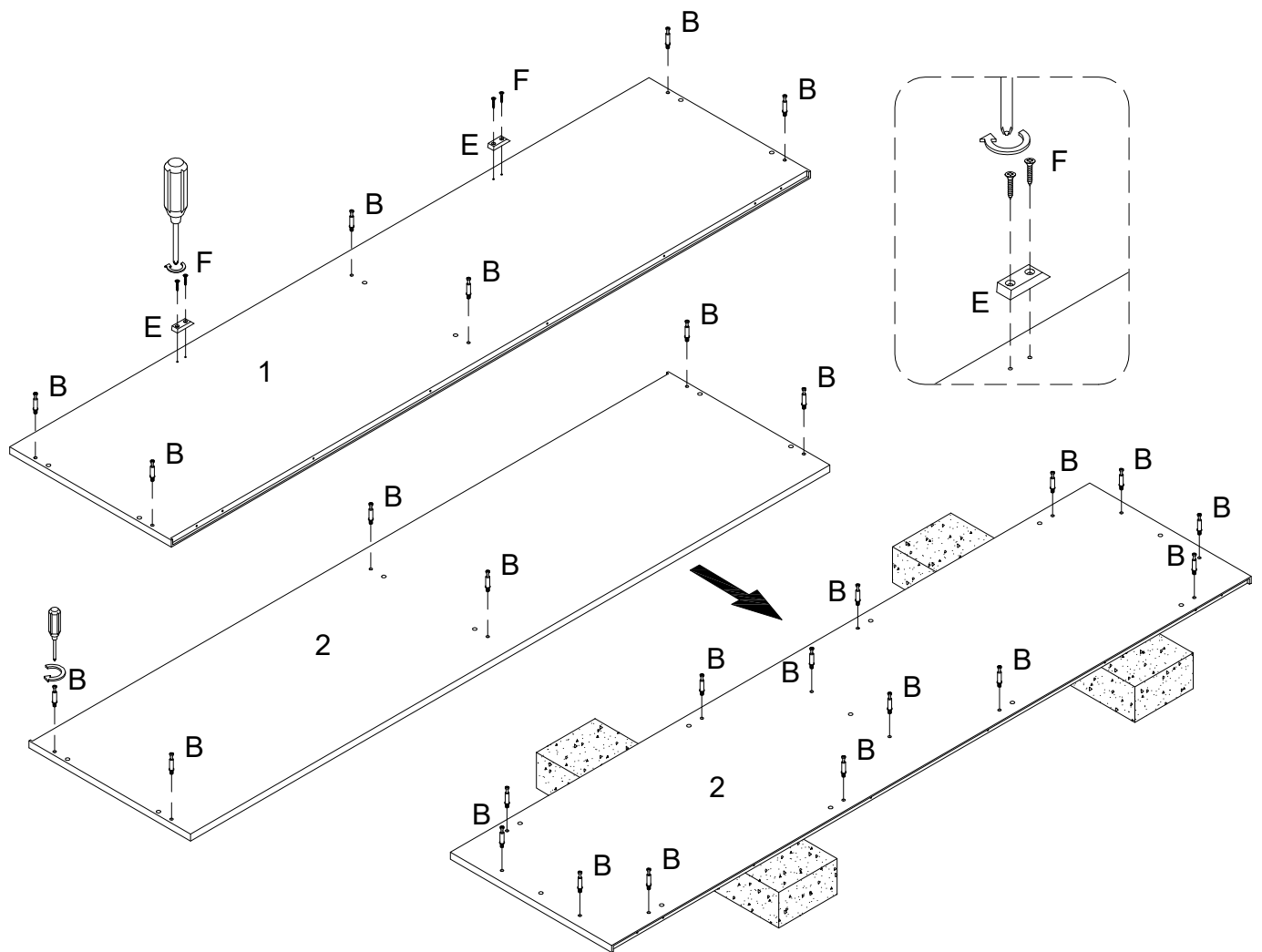
A		Ø8x30mm	Wooden dowel	23	pcs
B		Ø6x32mm	Cam bolt	32	pcs
C		Ø15x11mm	Cam lock	32	pcs
D			Sticker	32	pcs
E			Door stopper	2	pcs
F		Ø3x15mm	Screw	4	pcs
G		Ø3x12mm	Screw	24	pcs
H			Handle	4	pcs
J		Ø4x18mm	Handle Bolt	4	pcs
K			Shelf support pin	8	pcs
L			Europe hinge	4	pcs
M			Europe hinge	4	pcs
N		Ø3.5x14mm	Screw	48	pcs
P		Ø3x16mm	Screw	2	pcs
Q		Ø4x25mm	Screw	2	pcs
R			Plastic strap	2	pcs
S			Nut	2	pcs
T			Glue tube	2	pcs



Philips head screwdriver required for assembly
(not included)

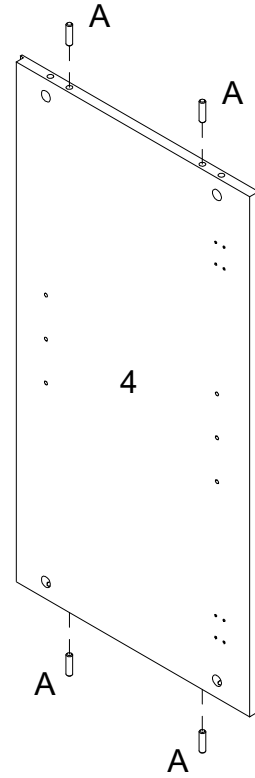
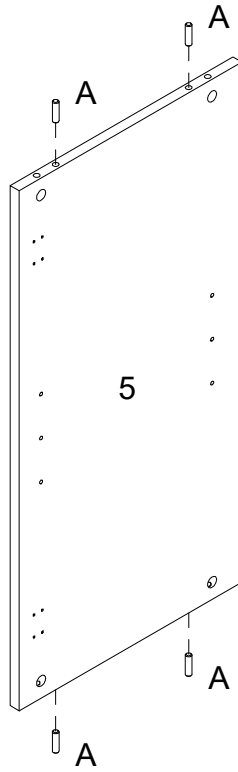
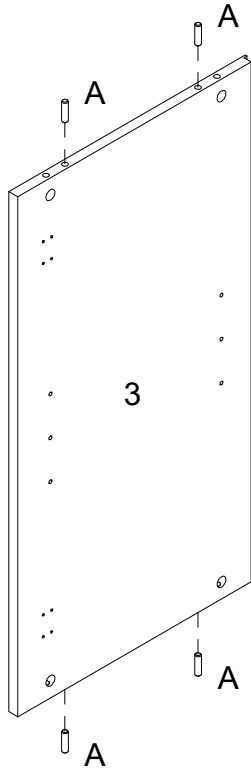
*The hardware quantities listed above are required for proper assembly.
Some extra hardware may also have been included.*

Step 1



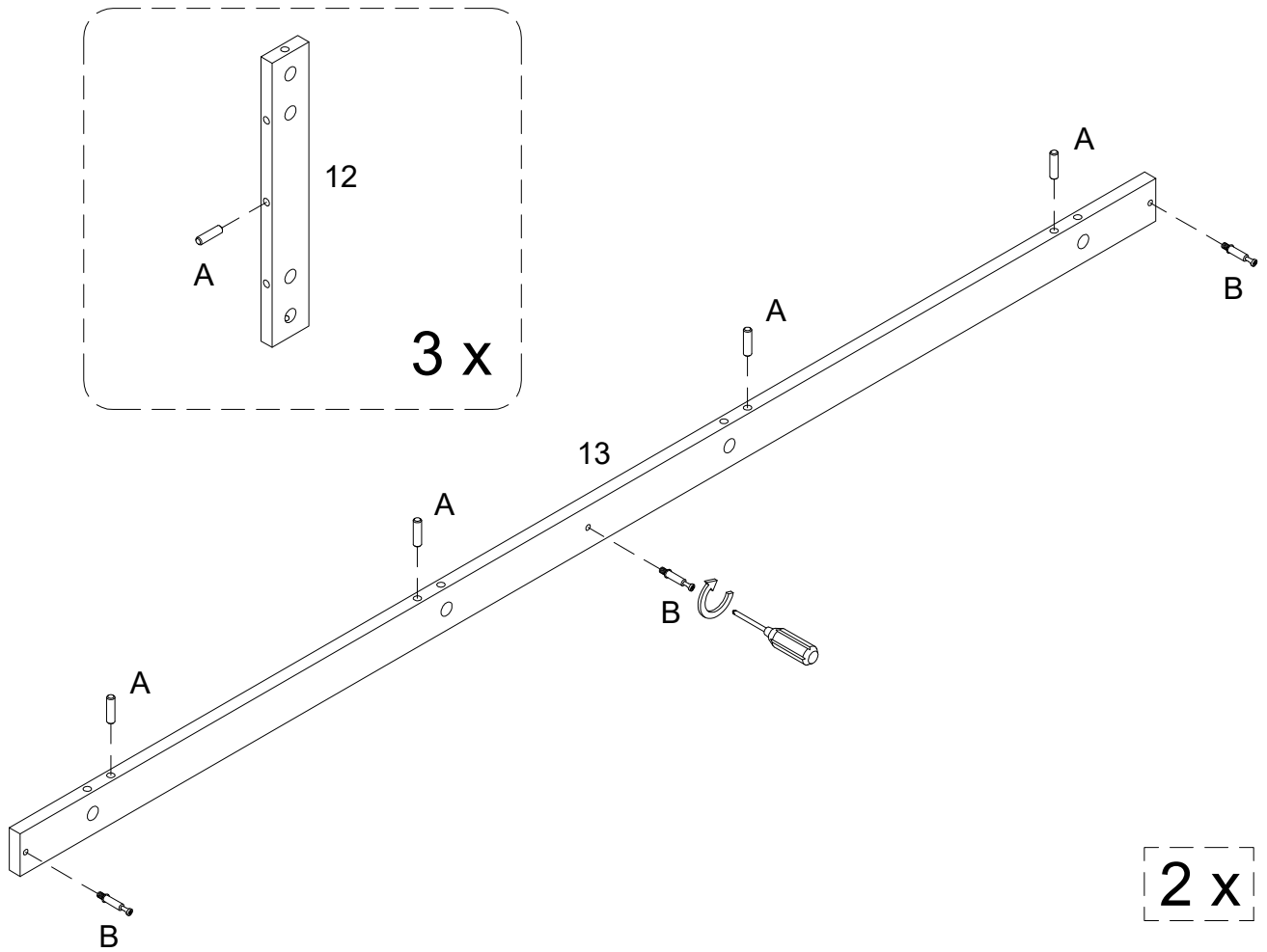
Secure cam bolt (B) into parts (1,2), then using screw (F) attach Door stopper (E) to part (1) with with Philips head screwdriver as per diagram.

Step 2



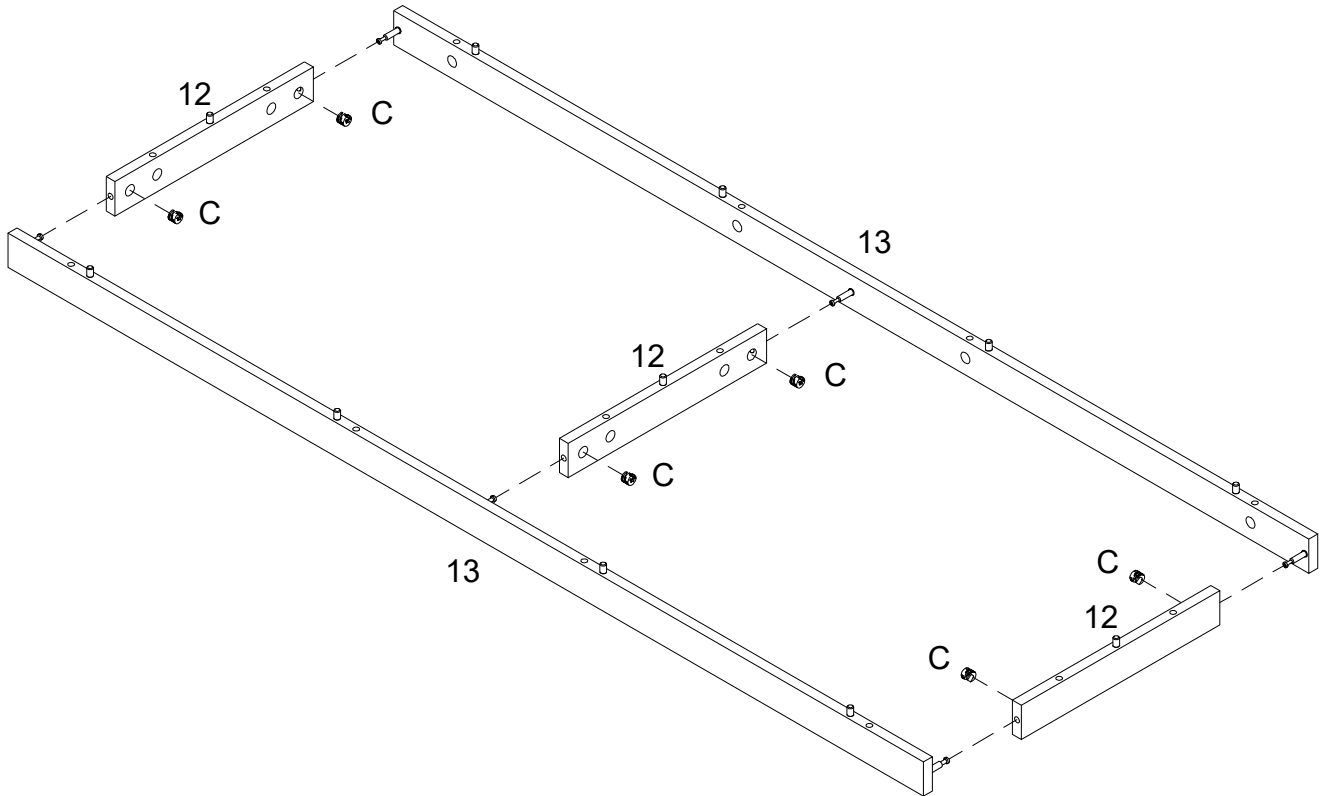
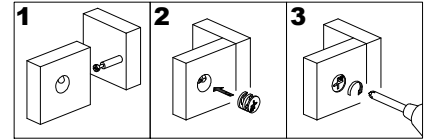
Insert wooden dowel (A) into parts (3,4,5) as per diagram.

Step 3



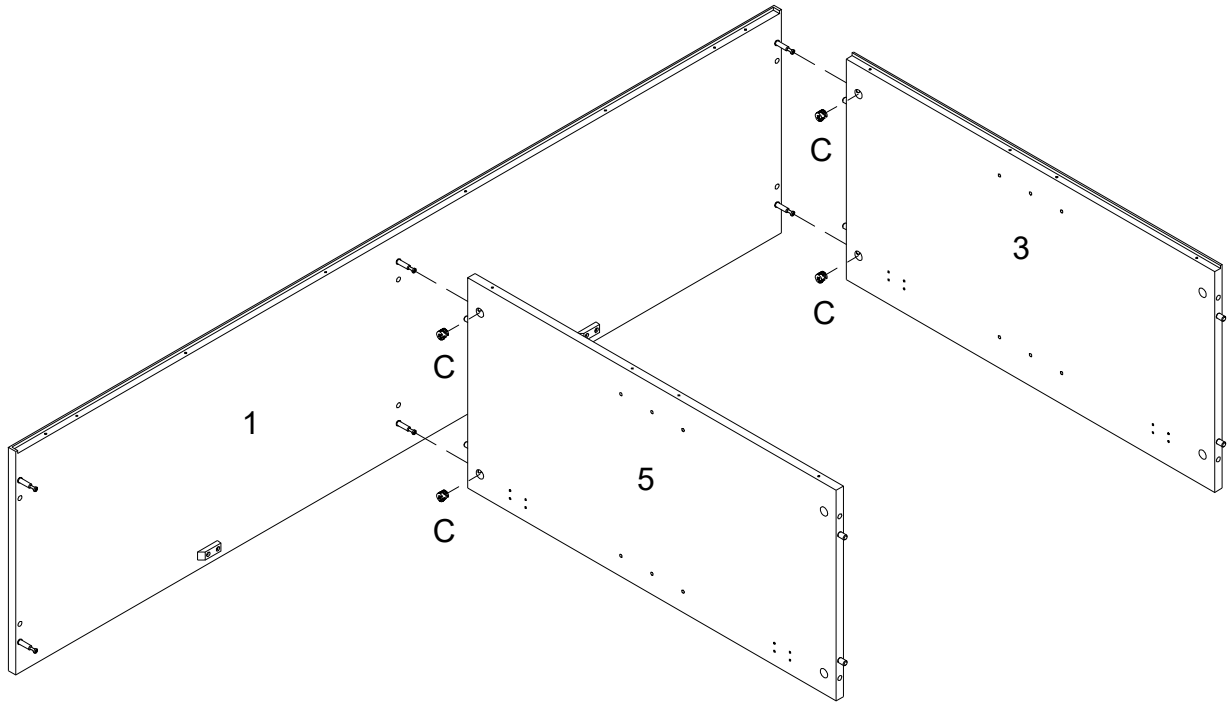
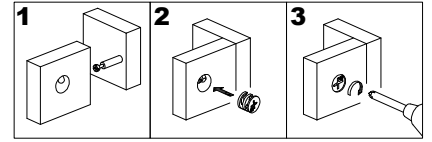
Insert wooden dowel (A) into part (13) , then secure cam bolt (B) into part (13) with Philips head screwdriver as per diagram.

Step 4



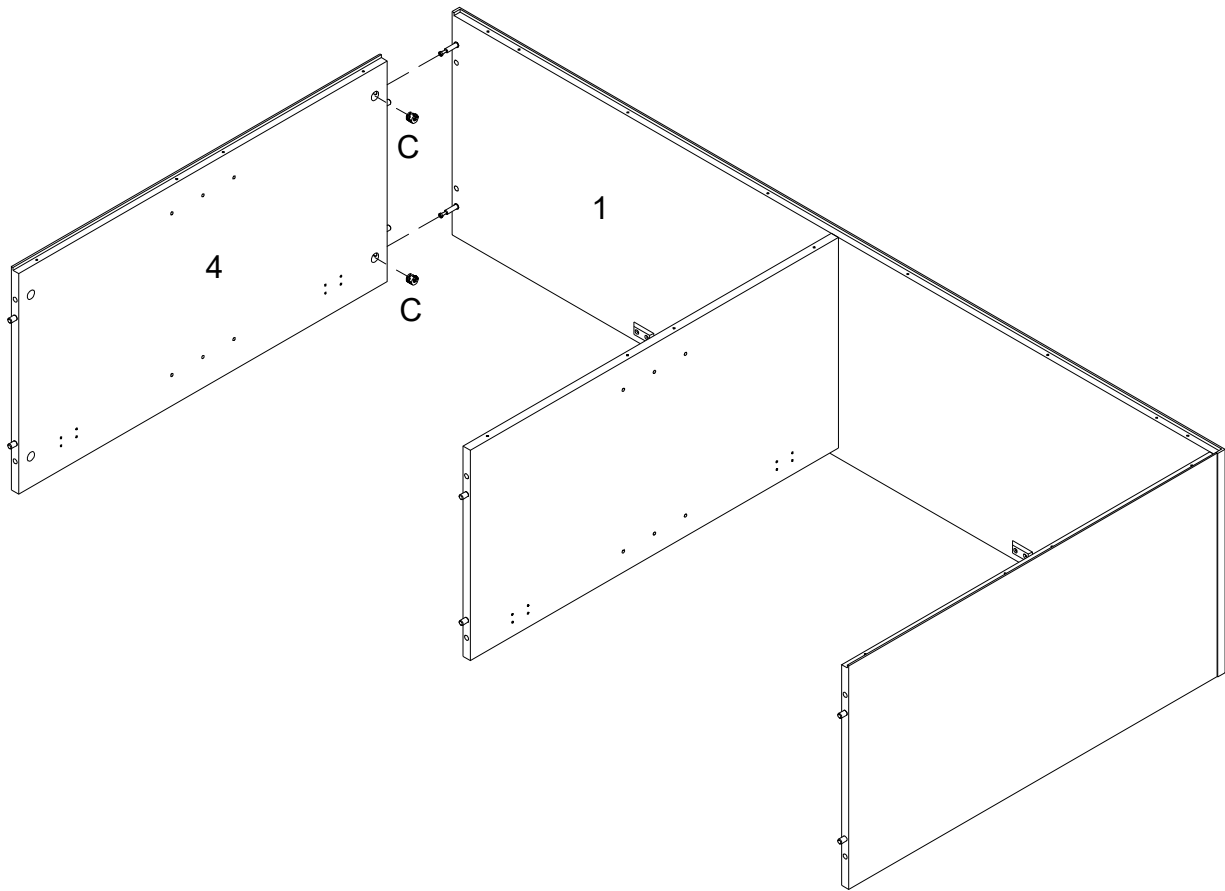
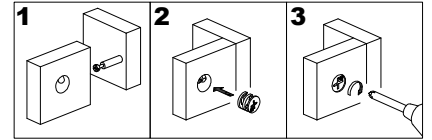
Using Cam lock(C) secure part (13) to part (12) with Philips head screwdriver as per diagram.

Step 5



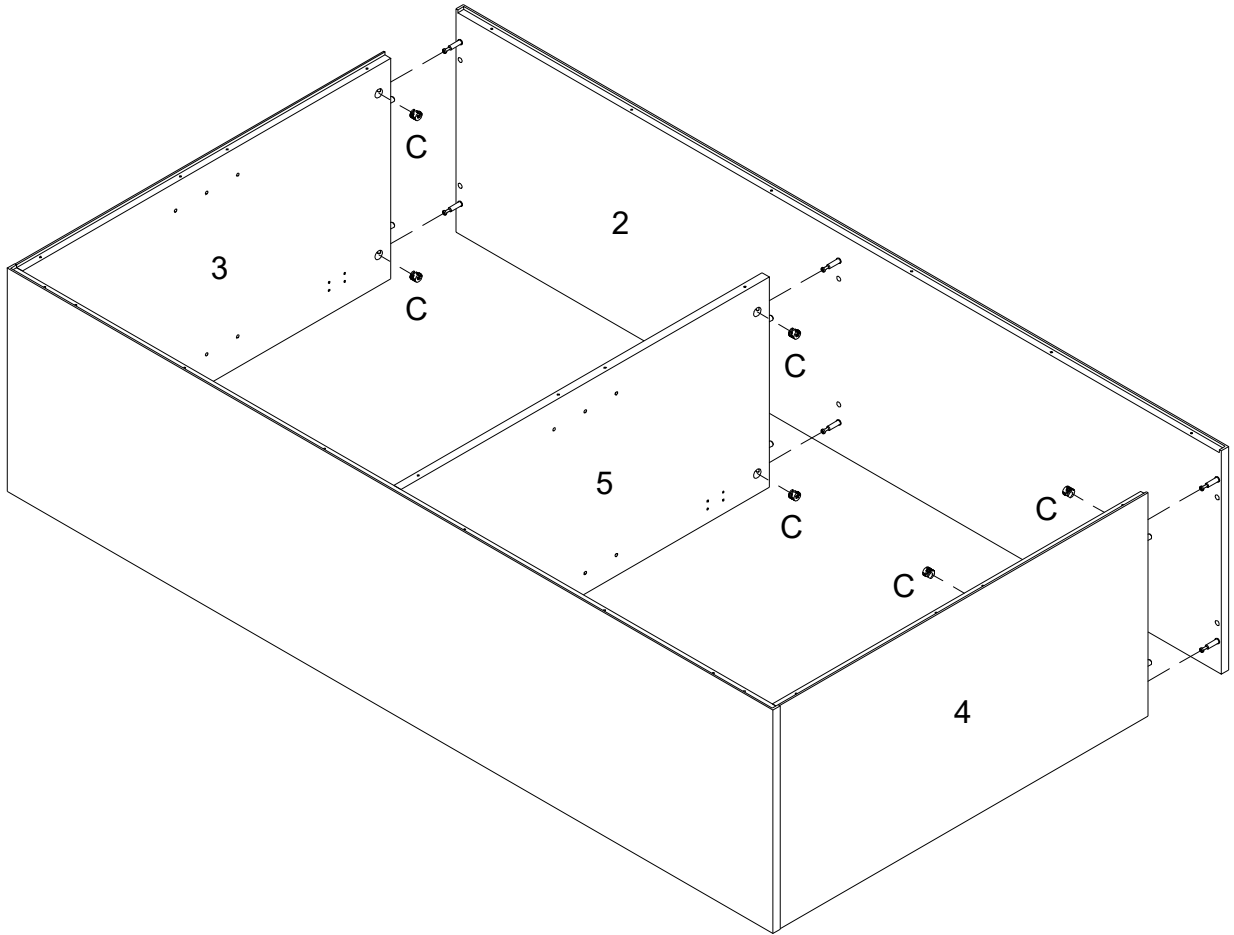
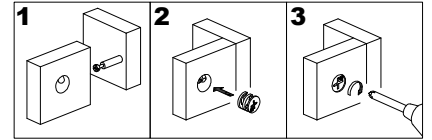
Using Cam lock(C) secure parts (3,5) to part (1) with Philips head screwdriver as per diagram.

Step 6



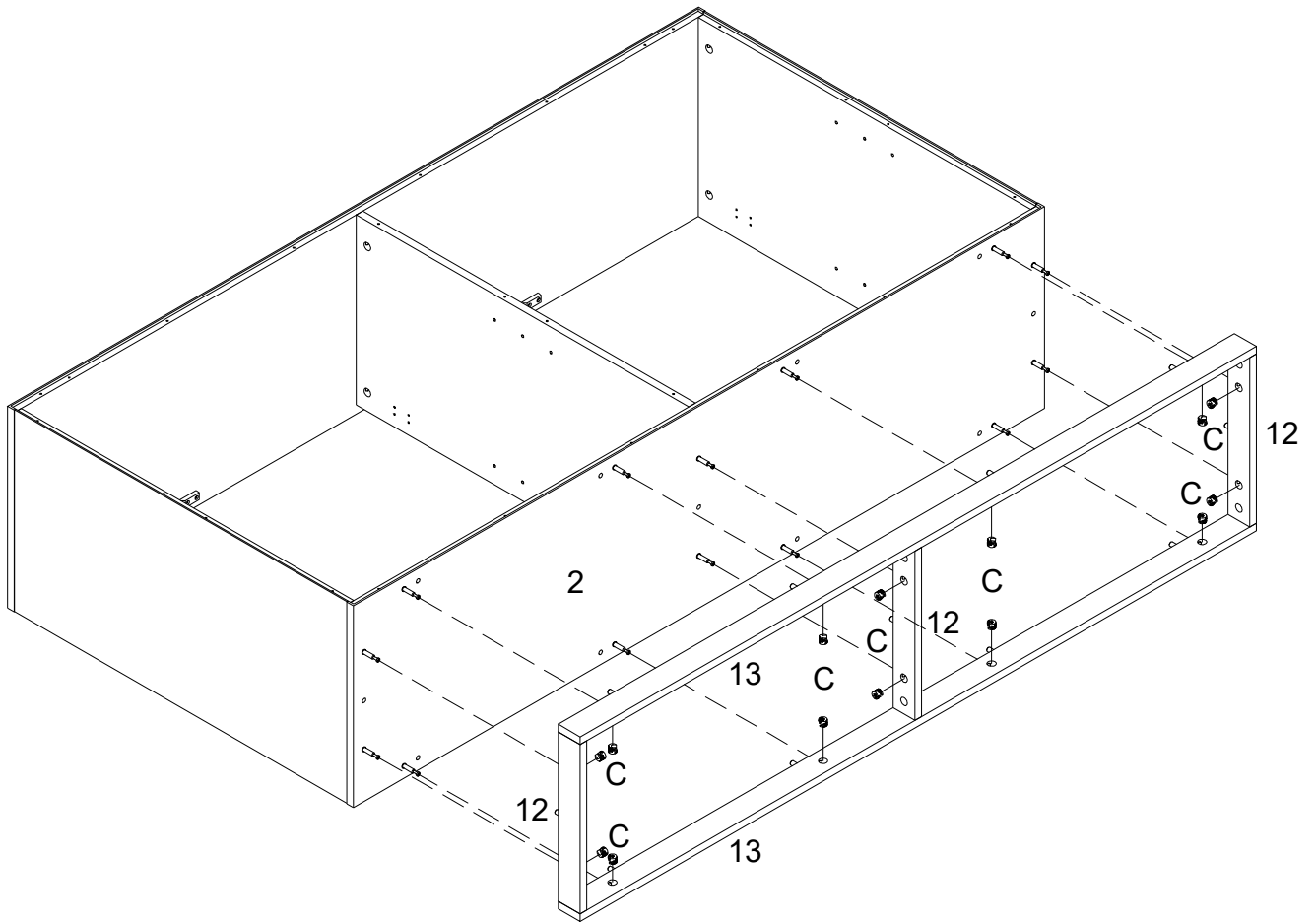
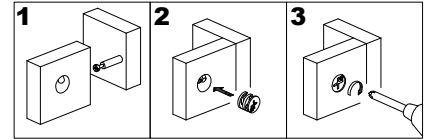
Using Cam lock(C) secure part (4) to part (1) with Philips head screwdriver as per diagram.

Step 7



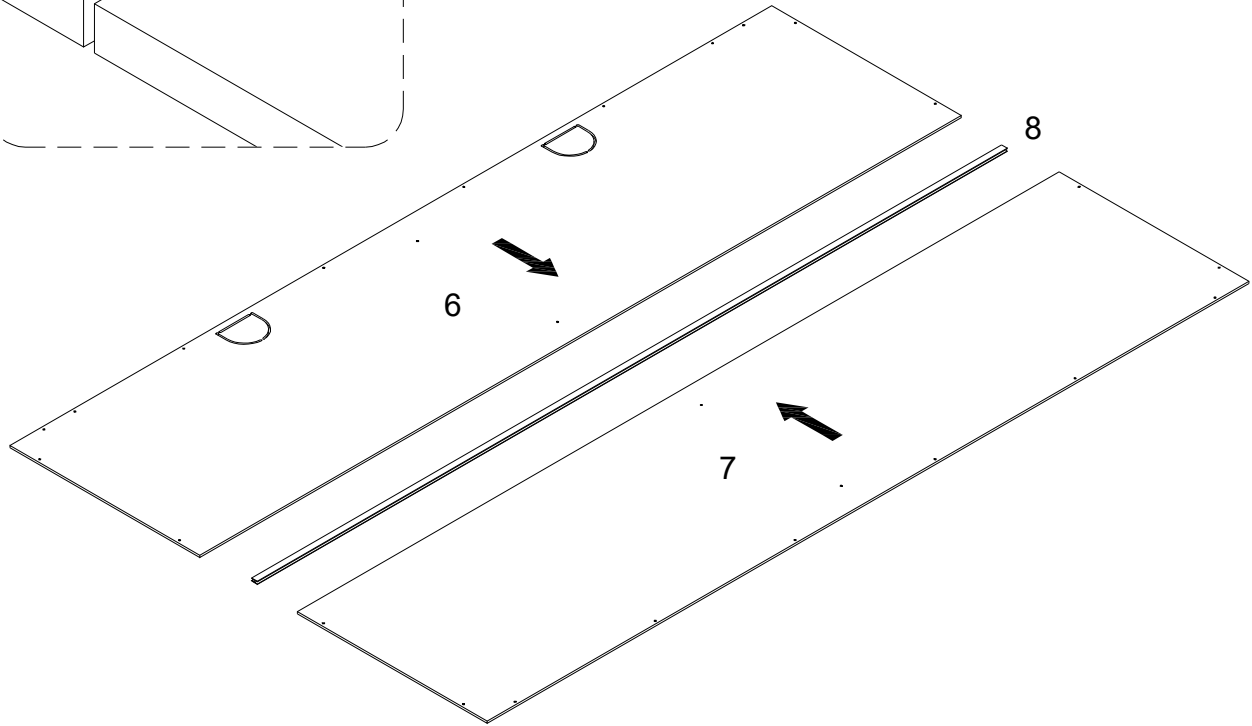
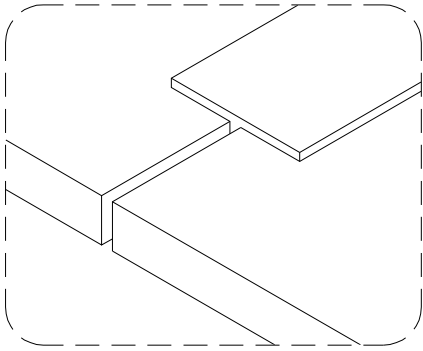
Using Cam lock(C) secure parts (3,4,5) to part (2) with Philips head screwdriver as per diagram.

Step 8



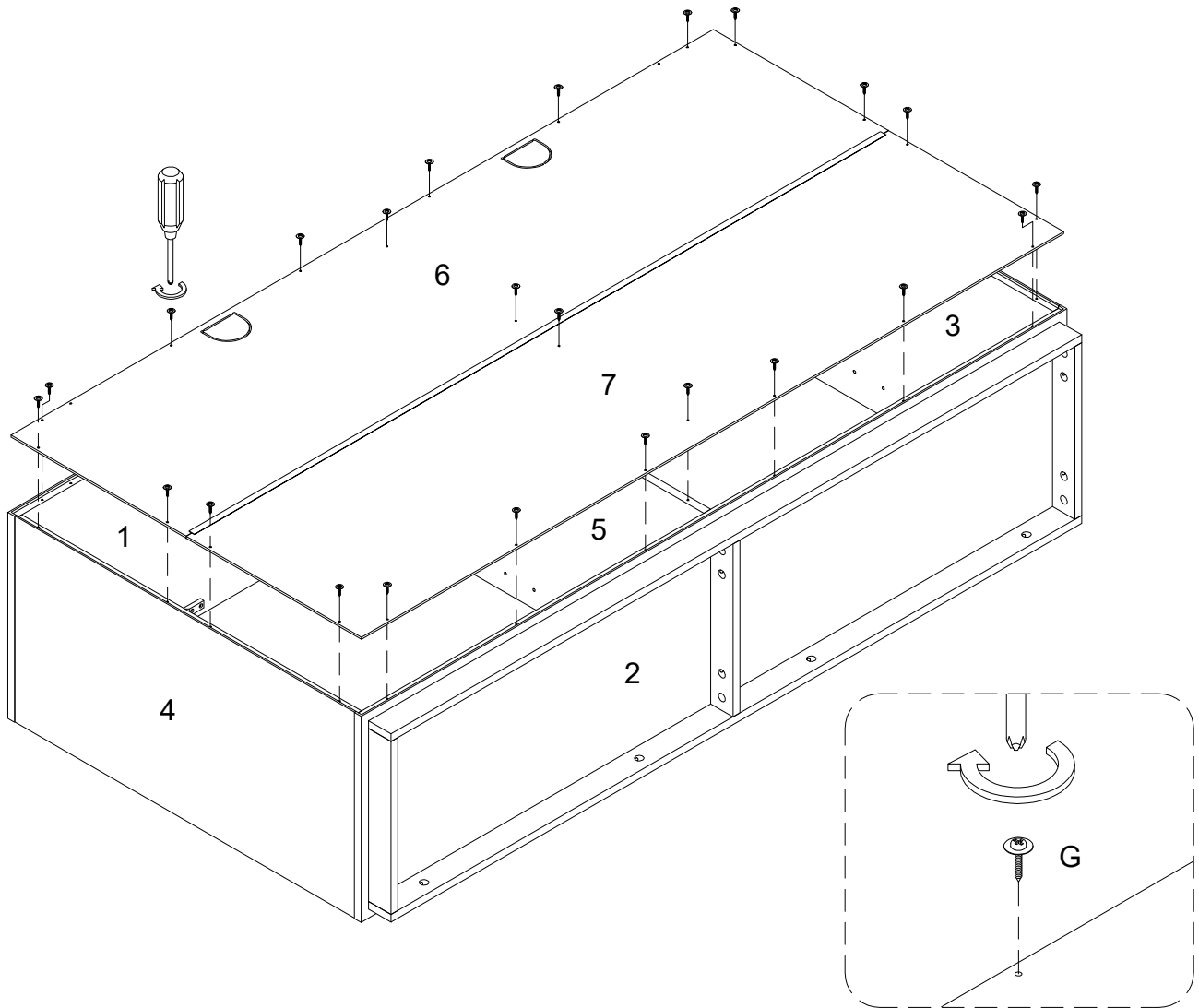
Using Cam lock(C) secure parts (12,13) to part (2) with Philips head screwdriver as per diagram.

Step 9



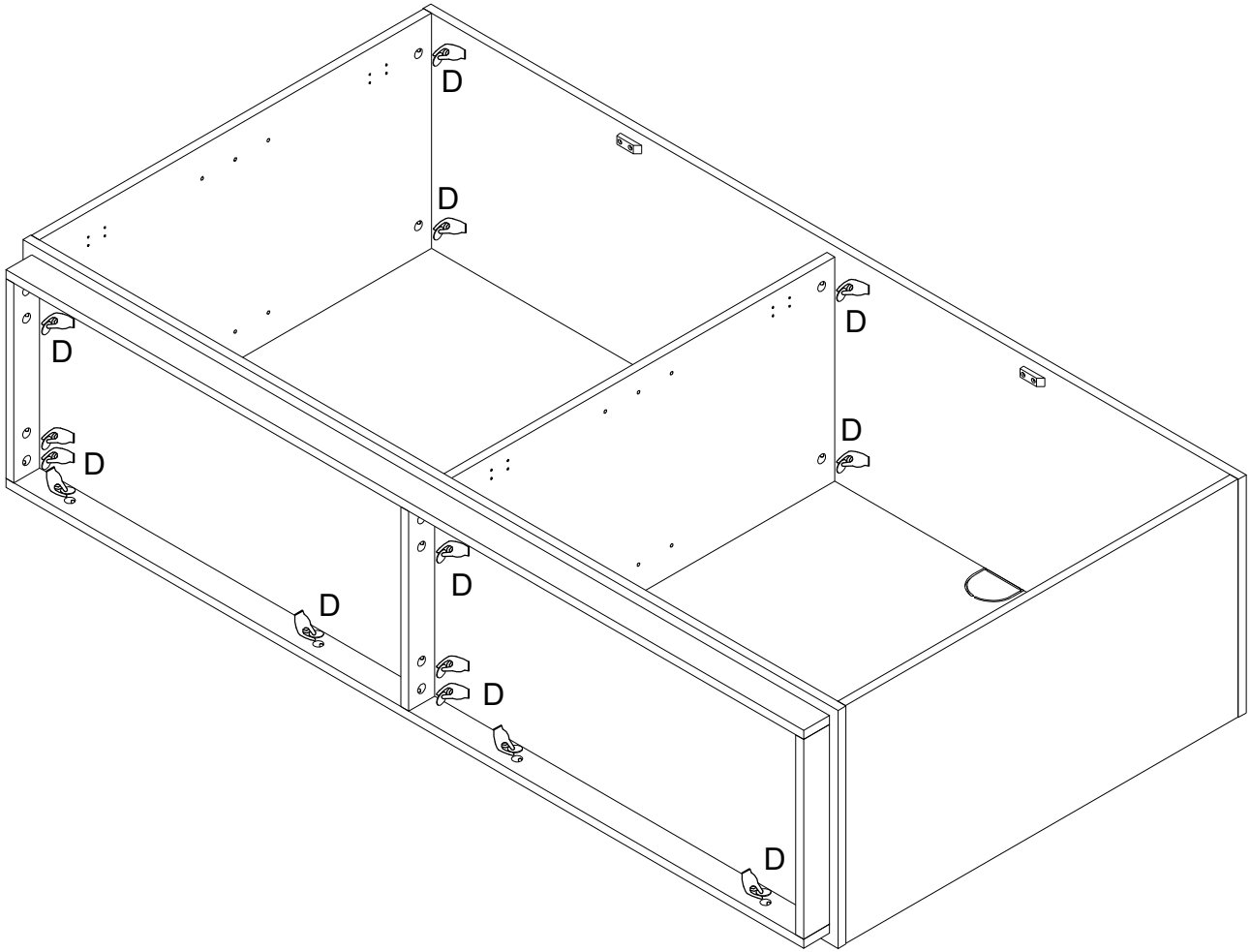
Put parts (6,7) as per diagram.

Step 10



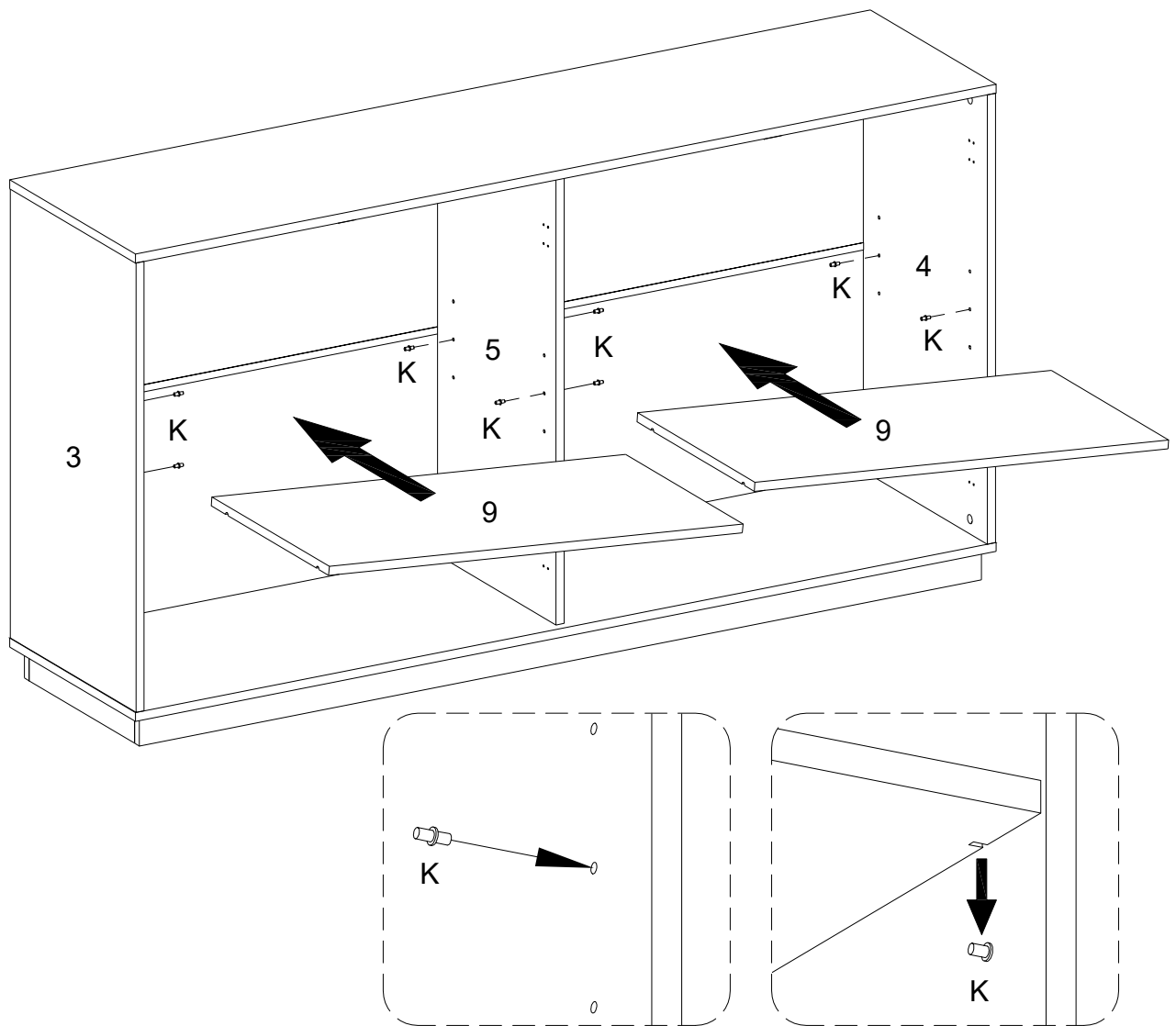
Using screw (G) attach parts (6,7) to parts (1,2,3,4) with Philips head screwdriver as per diagram.

Step 11



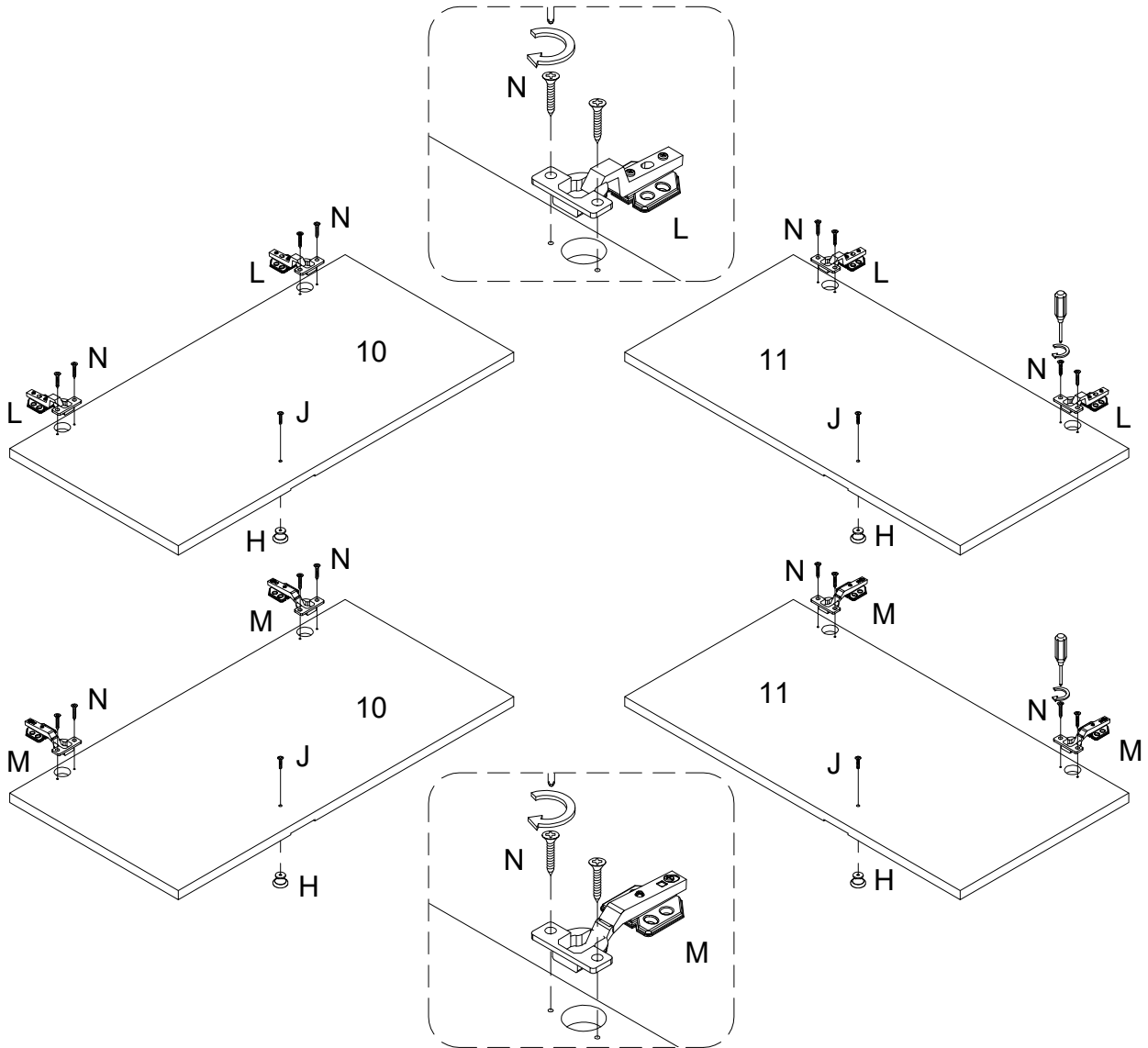
Place sticker (D) cover the holes as per diagram .

Step 12



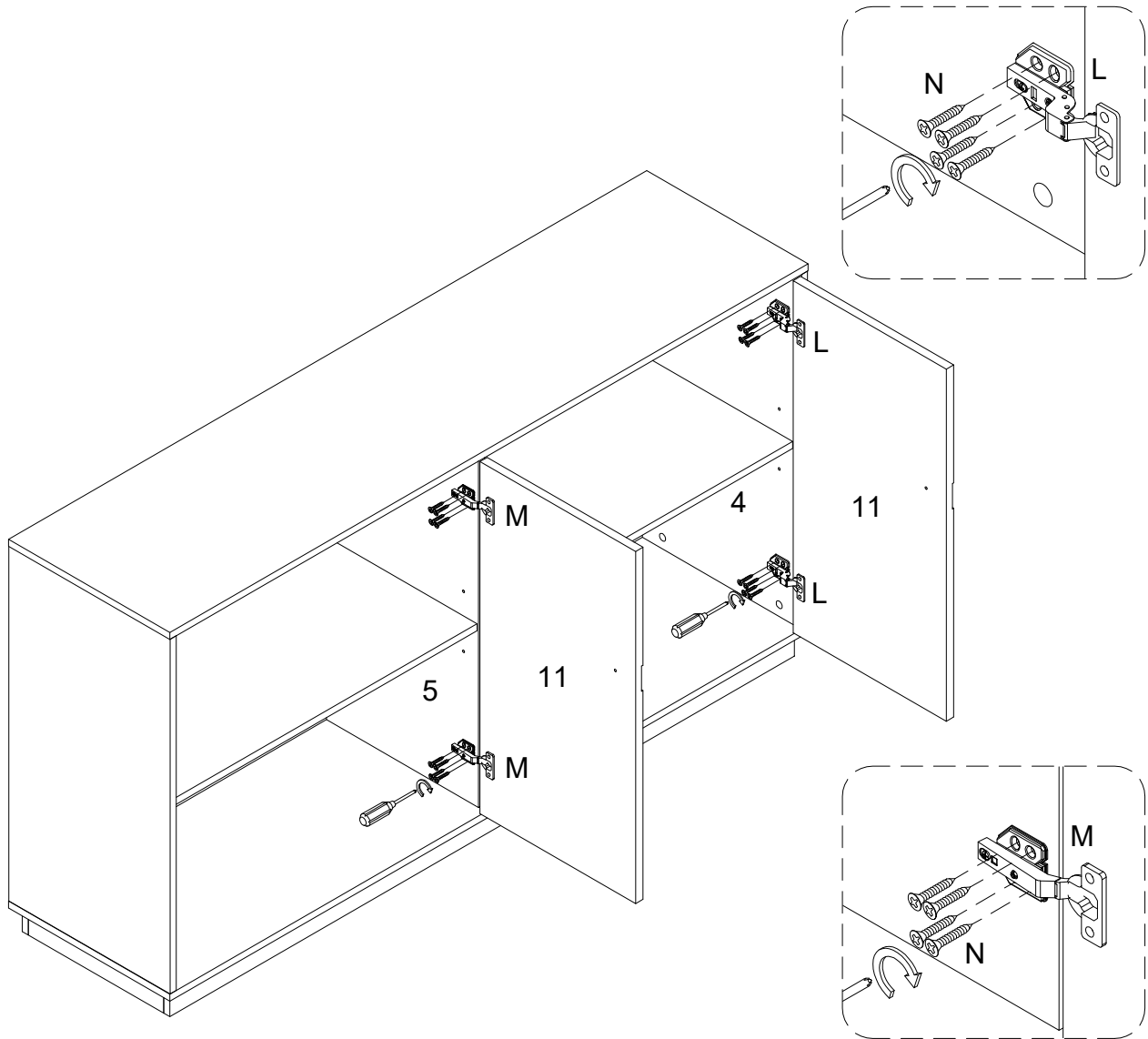
Insert shelf support pin (K) into parts (3,4,5) as per diagram. Make sure you place the shelf support pins (K) in the same level. So the shelf is not tilted. Put part (9) into unit as per diagram. Tilt and rest the adjustable shelf(9) onto the shelf support pins .

Step 13



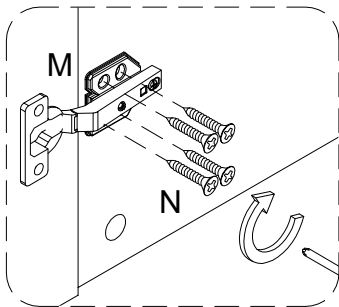
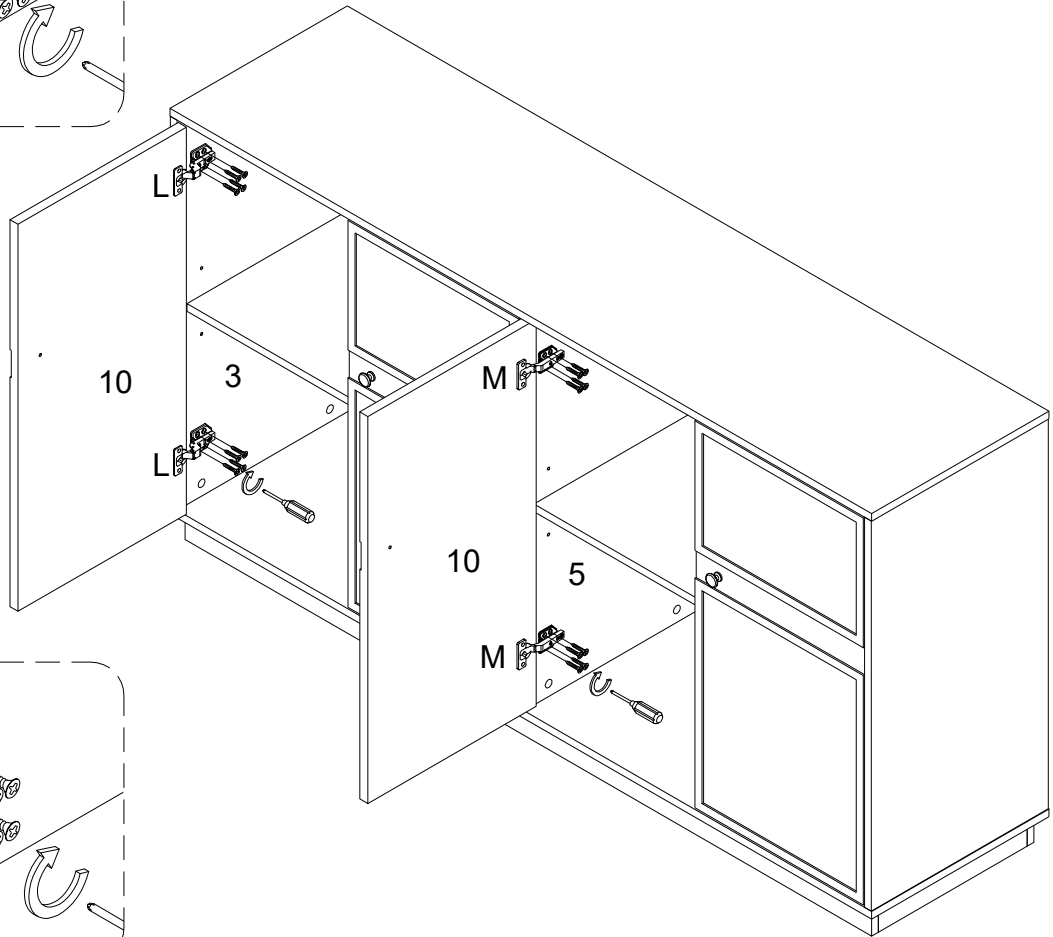
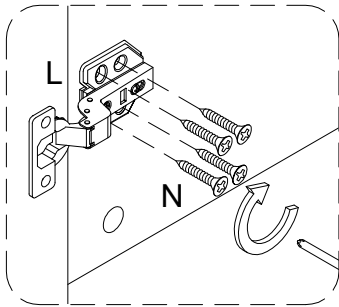
Using screw (N) attach Europe hinge (L) and (M) into parts (10,11) ,then using handle bolt (J) secure handle (H) to parts (10,11) with Philips head screwdriver as per diagram.

Step 14



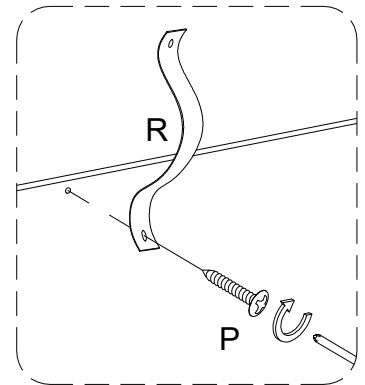
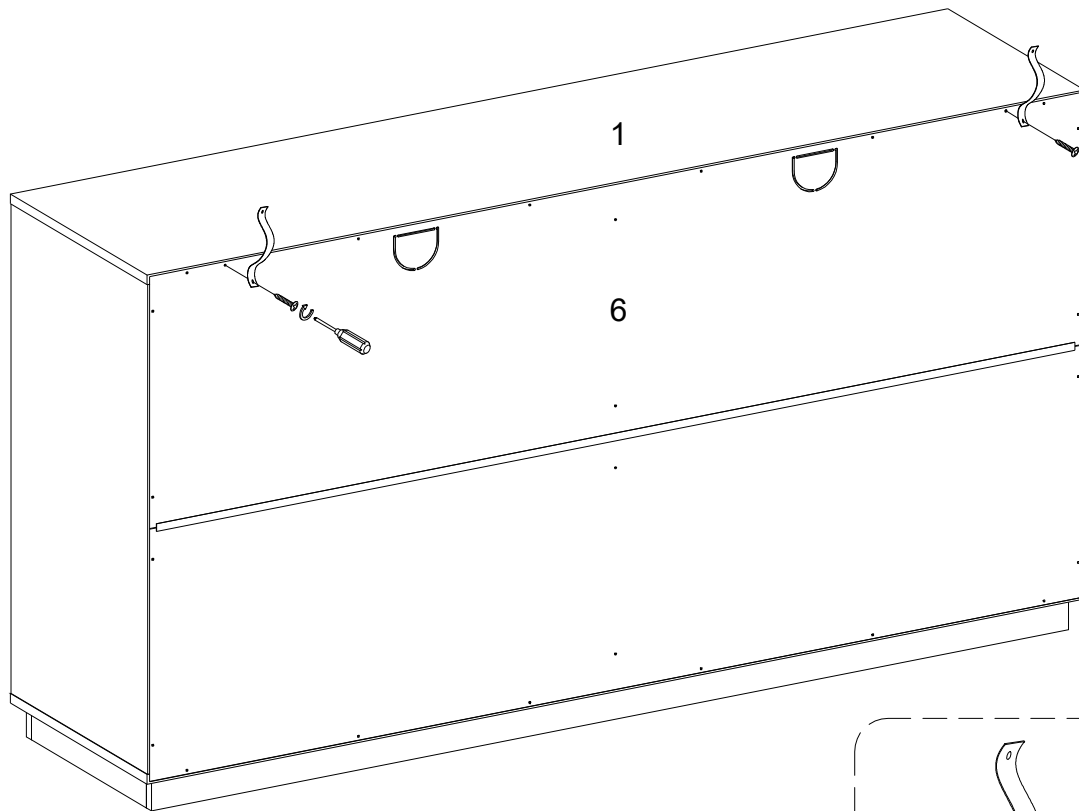
Using screw (N) attach Europe hinge (M) to part (5), and screw (N) attach Europe hinge (L) to part (4) with Philips head screwdriver as per diagram.

Step 15



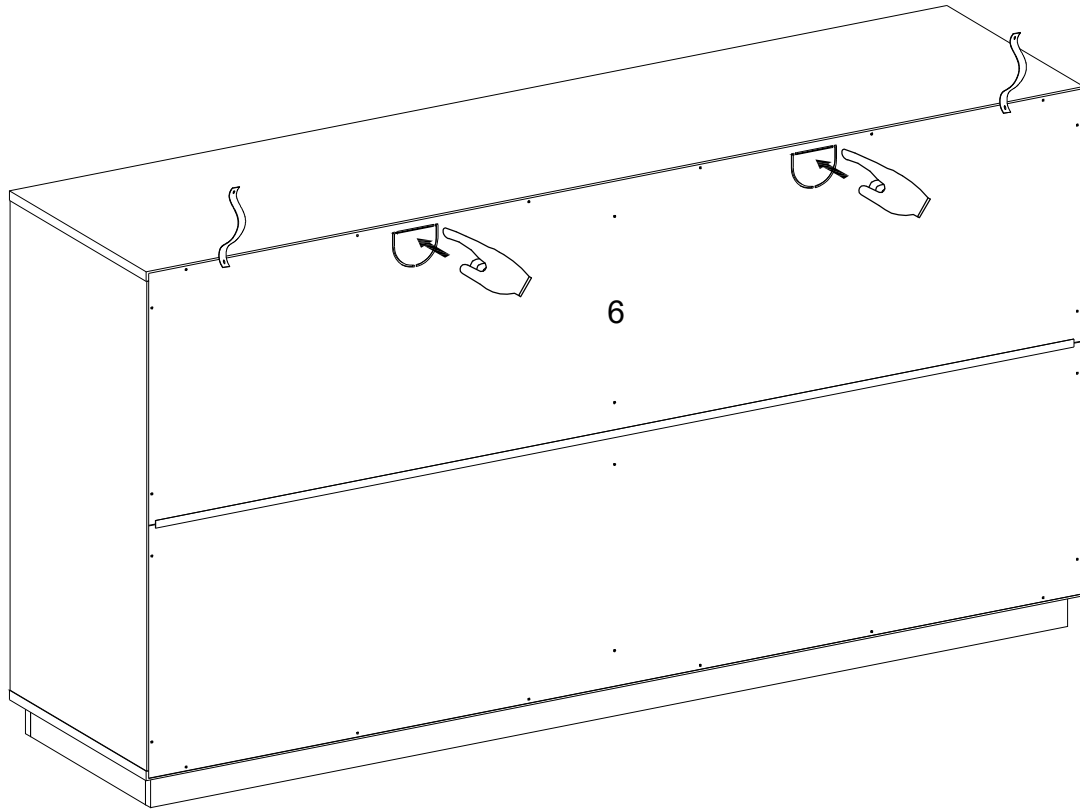
Using screw (N) attach Europe hinge (M) to part (5), and screw (N) attach Europe hinge (L) to part (3) with Philips head screwdriver as per diagram.

Step 16



Using screw (P) attach Velcro strap (R) into part (6) to part (1) with Philips head screwdriver as per diagram.

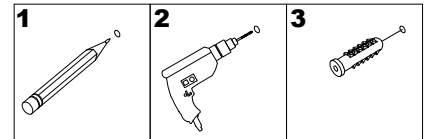
Step 17



Move out the core management hole from part (6) as per diagram.

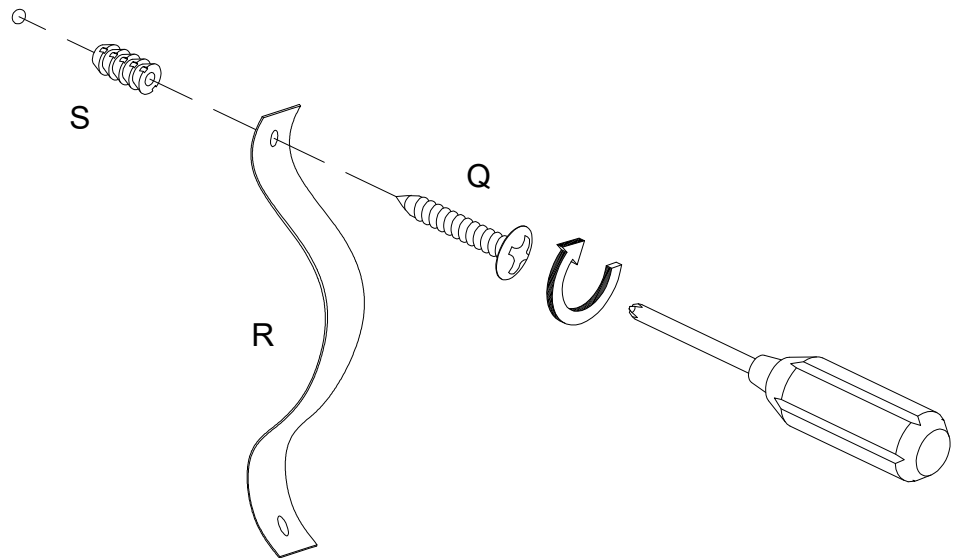
Step 18

WARNING



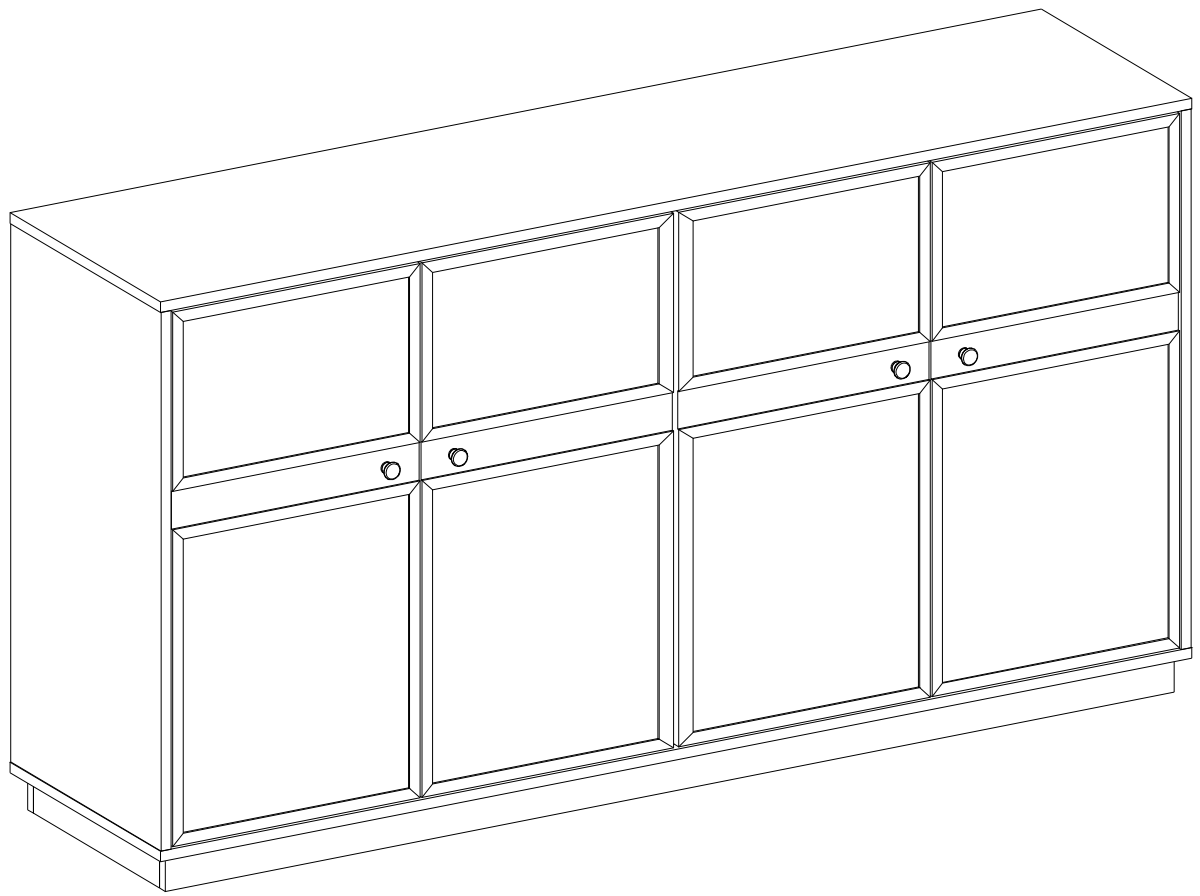
Serious or fatal injuries can occur from furniture tipping over. To prevent the furniture from tipping over we recommend that it is permanently fixed to the wall. Wall anchor and hardware are included with this product. Please make sure hardware is suitable for your walls before installing, as different wall materials may require different types of anchors.

Wall



Using screw (Q) attach Velcro strap (R) into Nut (S) to wall with Philips head screwdriver as per diagram.

Step 19



Final Assembly