

Assembly Instructions

Item No.:55648/70705

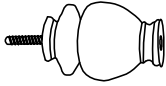
PARTS INCLUDED

A



1PC

B



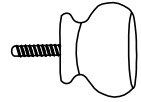
4PCS

C



1PC

D

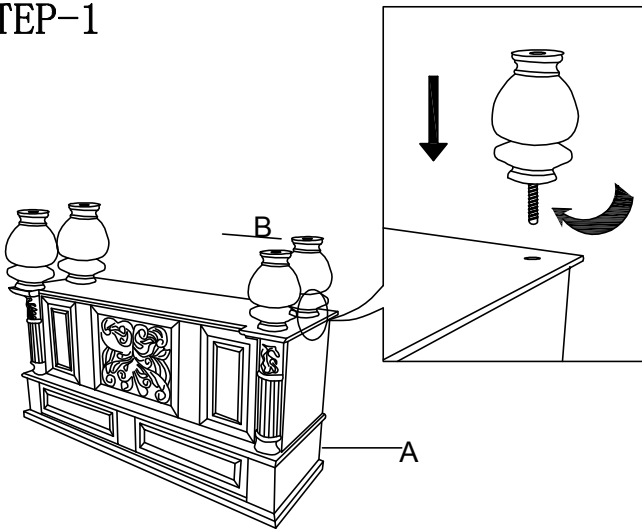


4PCS

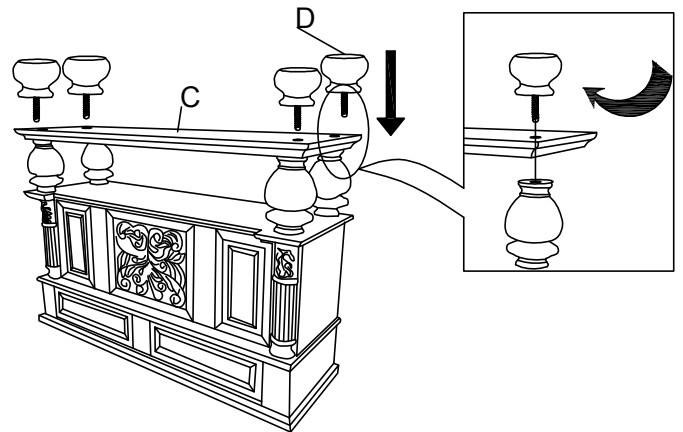
Note:

Loosely thread all screws/bolts first. Once the item is assembled then completed tighten

STEP-1



STEP-2



FINISH

