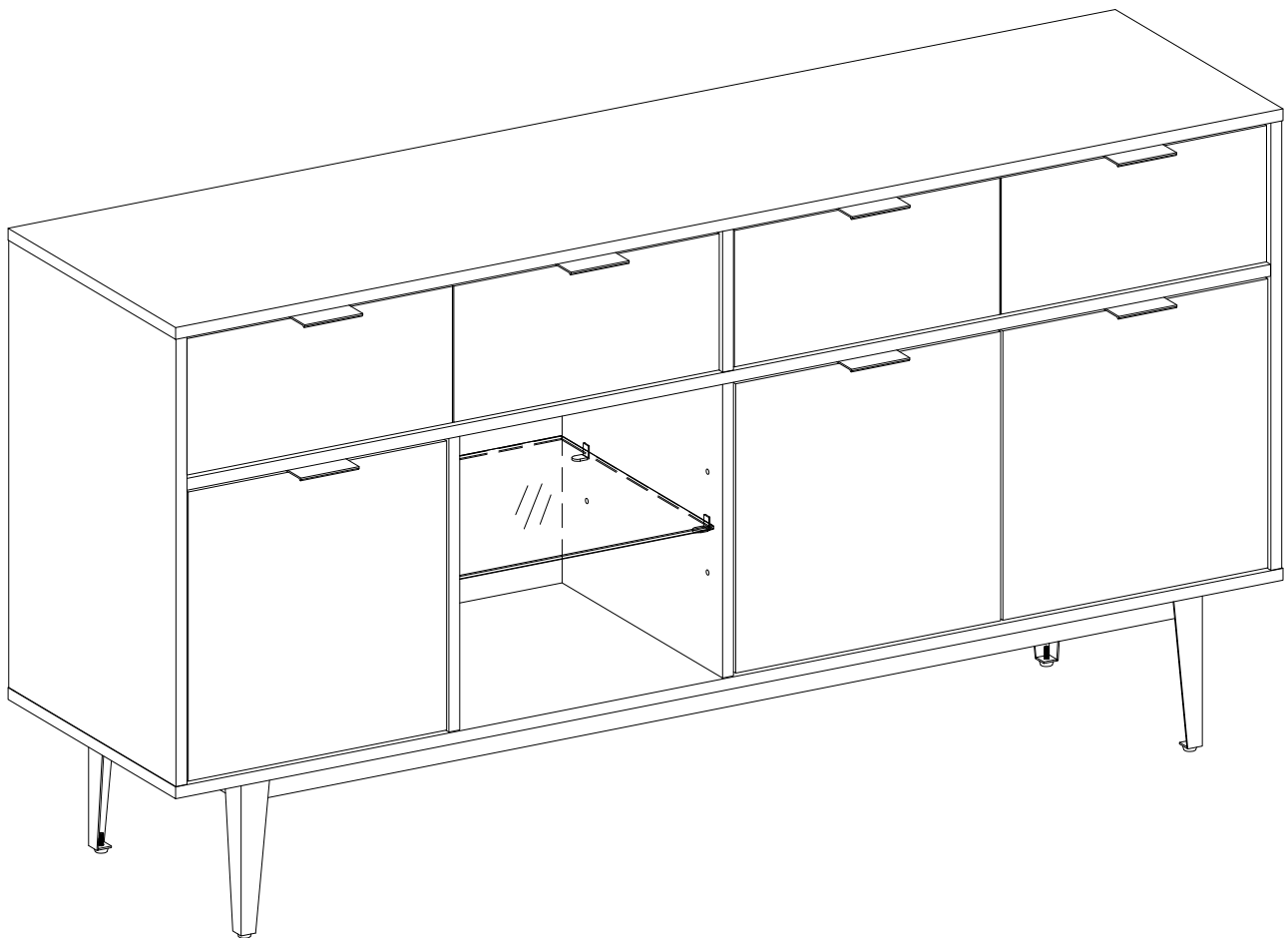


Item # : BU60BALWM Assembly Instructions



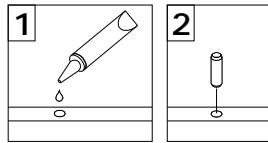
Walker Edison®

Please visit our website for the most current instructions, assembly tips, report damage, or request parts. www.walkeredison.com

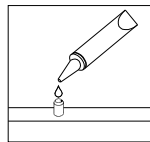
Revised 03/04/2020(C)

General Assembly Guidelines

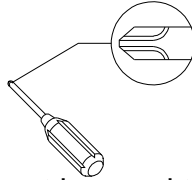
- I. Ensure that all parts and hardware are available before beginning assembly.
- II. Follow each step carefully to ensure the proper assembly of this product.
- III. Two people are recommended for ease in the assembly of this product.
- IV. The three main types of hardware used to assemble this product are: wood dowels, screws and bolts.
- V. The provided glue is to secure wood dowels in place. When first inserting dowels, locate the appropriate hole for the dowel, place a small amount of glue in the hole and insert the dowel. Wipe away excess glue immediately.



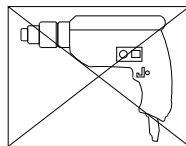
In future assembly steps when dowels are necessary to attach assembly parts together, place a small amount of glue on the end of the dowel before attaching parts together. Wipe away excess glue immediately.



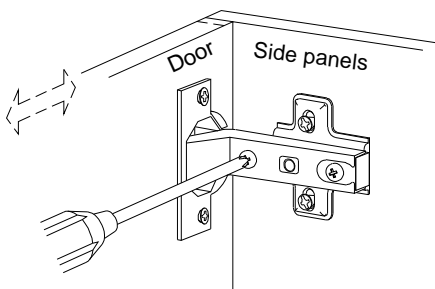
- VI. A Phillips head screwdriver is required for the assembly of this product.



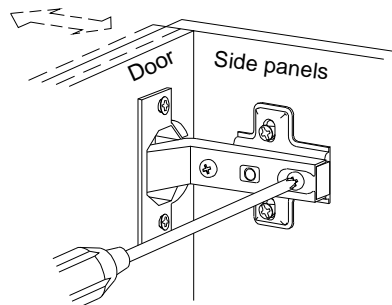
- VII. Power tools should not be used to assemble this product.



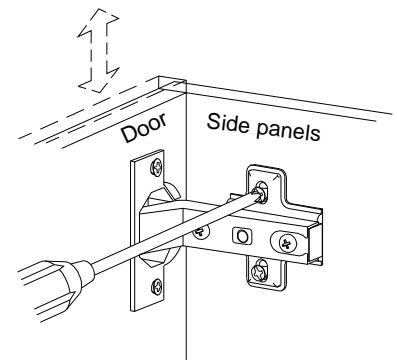
- VIII. Drill may be needed for securing product to wall.
- IX. Concealed hinges are three-way adjustable.



Horizontal
by screw adjustment

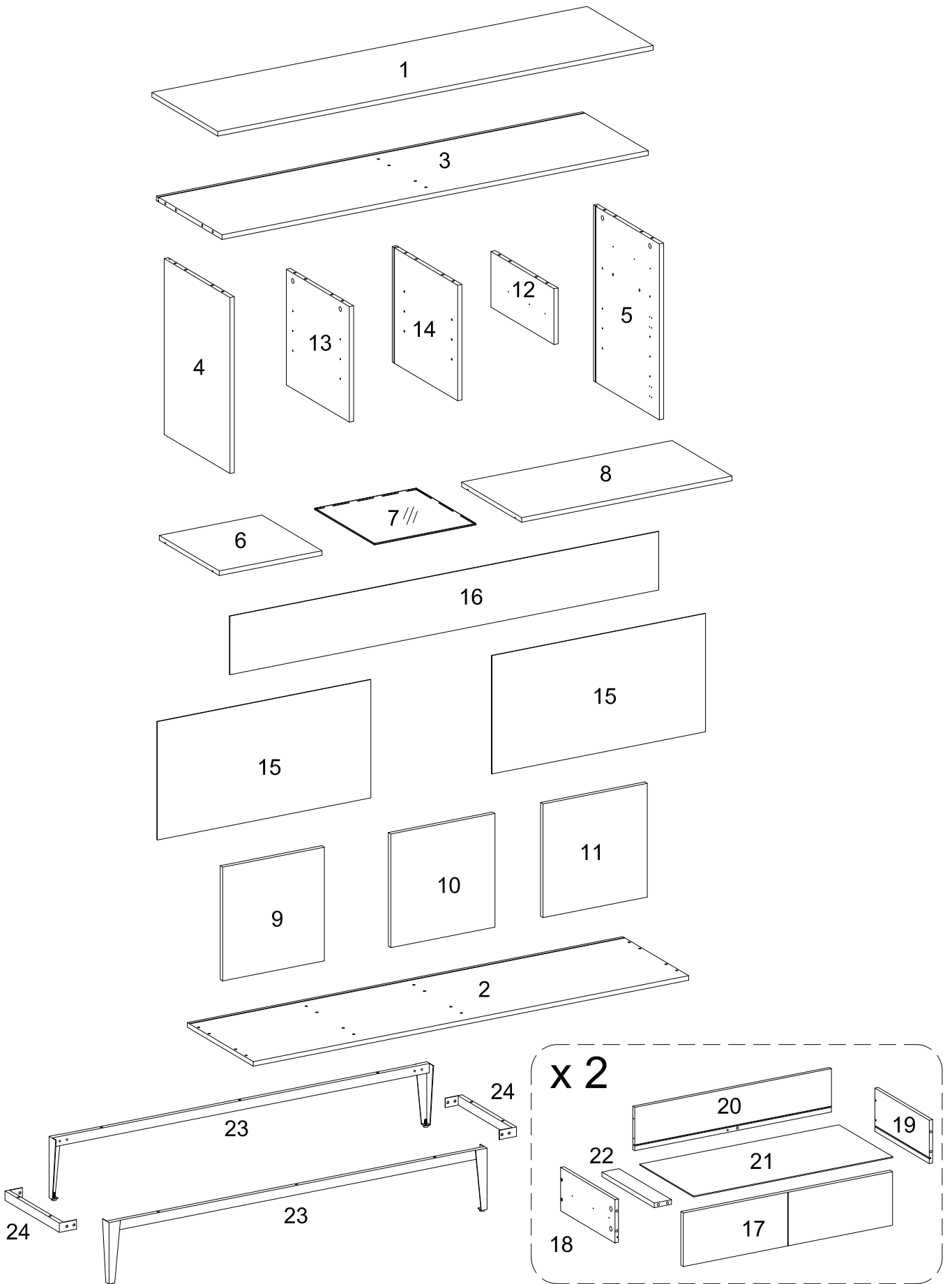


In-and-Out
by loosening the hinge-arm
mounting screw or via cam
adjustment







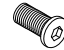

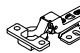
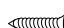


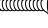






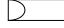




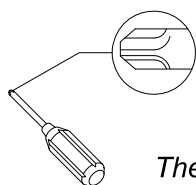
Vertical
Via slots in the mounting
plate or via cam adjustment

Parts List



Hardware List

A		Ø8x30mm	Wooden dowel	28 pcs
B		Ø15x9mm	Cam lock	8 pcs
C		Ø15x11mm	Cam lock	16 pcs
D		Ø6x35mm	Cam bolt	24 pcs
E		Ø6x50	Bolt	10 pcs
F		M4	Hex Key	1 pc
G		Ø6x12mm	Bolt	8 pcs
H		Ø6x40mm	Bolt	10 pcs
J			Europe hinge	6 pcs
K		Ø3.5x14mm	Screw	36 pcs
L		Ø3x12mm	Screw	38 pcs
M		Ø4x32mm	Screw	10 pcs
N			Shelf support pin	8 pcs
P			L shape shelf support pin	4 pcs
Q		Ø30mm	Sticker	24 pcs
R			Plastic wedge	14 pcs
S		Ø3x17mm	Screw	14 pcs
T			Glue tube	1 pc
U			Handle	7 pcs
V		Ø4x12mm	Screw	2 pcs
W		Ø4x25mm	Screw	2 pcs
X			Plastic strap	2 pcs



**Philips head screwdriver required for assembly
(not included)**

*The hardware quantities listed above are required for proper assembly.
Some extra hardware may also have been included.*

Hardware List

Y



Nut

2 pcs

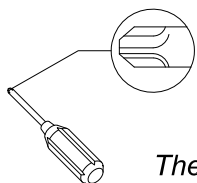
Z



Drawer slider

2 sets

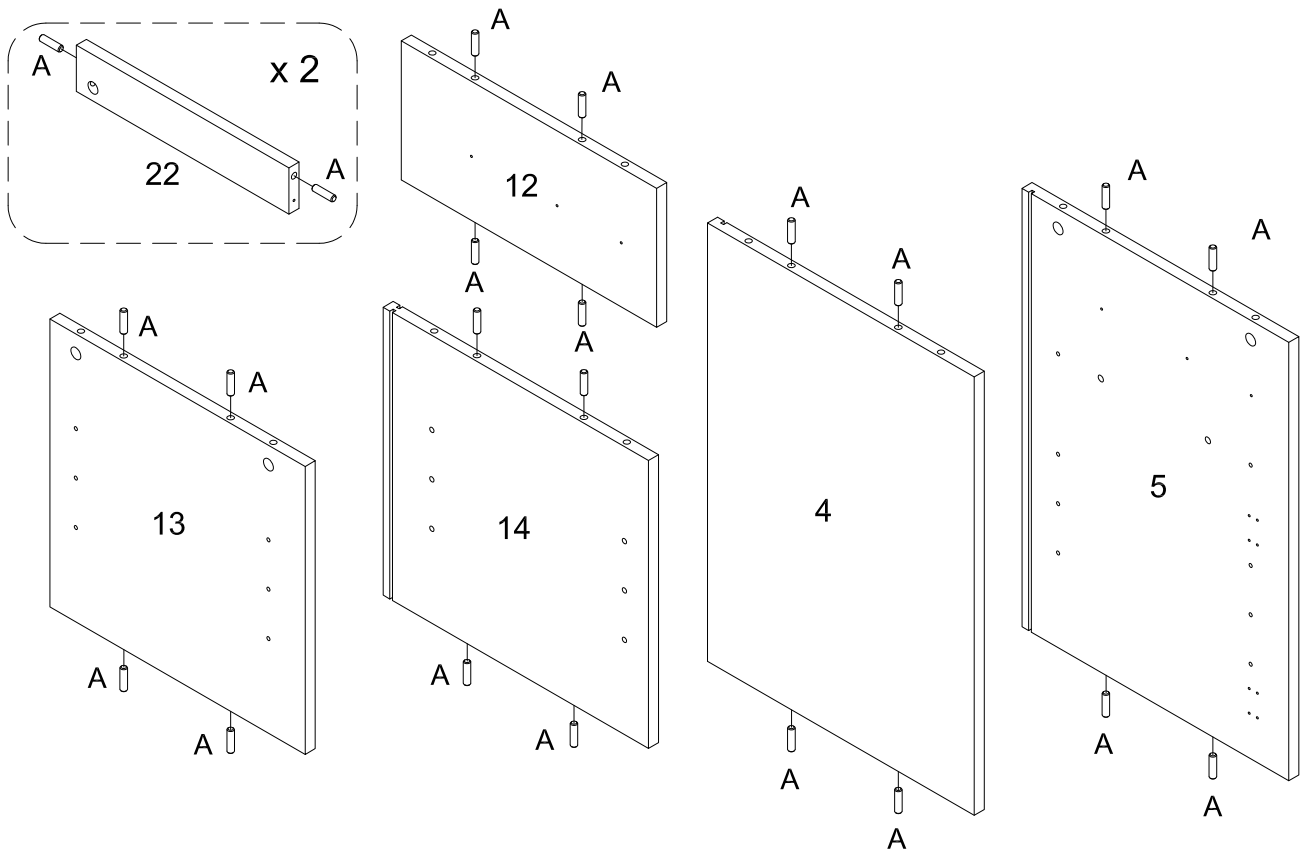
* Note: This piece comes preassembled for shipping purposes and must be disassembled to complete the desk assembly.



**Philips head screwdriver required for assembly
(not included)**

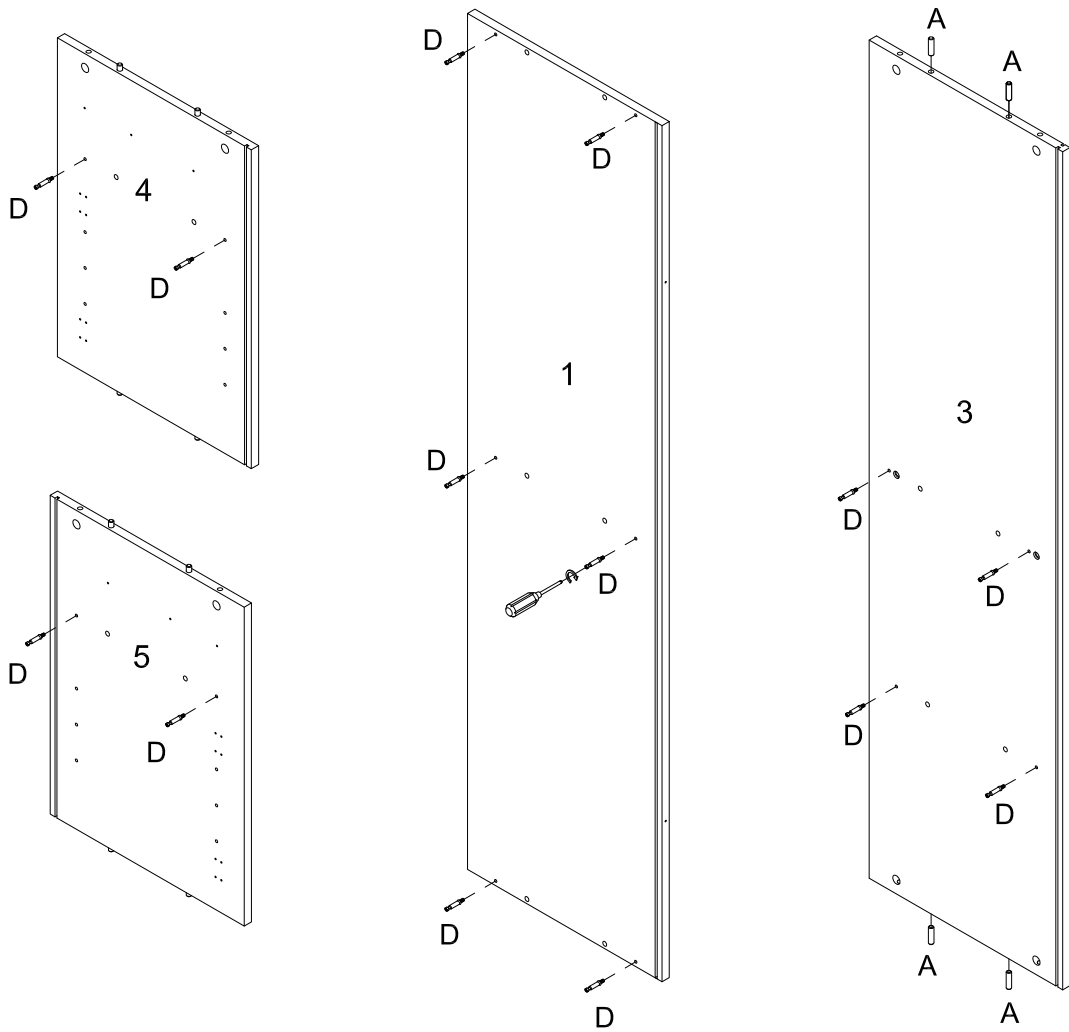
*The hardware quantities listed above are required for proper assembly.
Some extra hardware may also have been included.*

Step 1



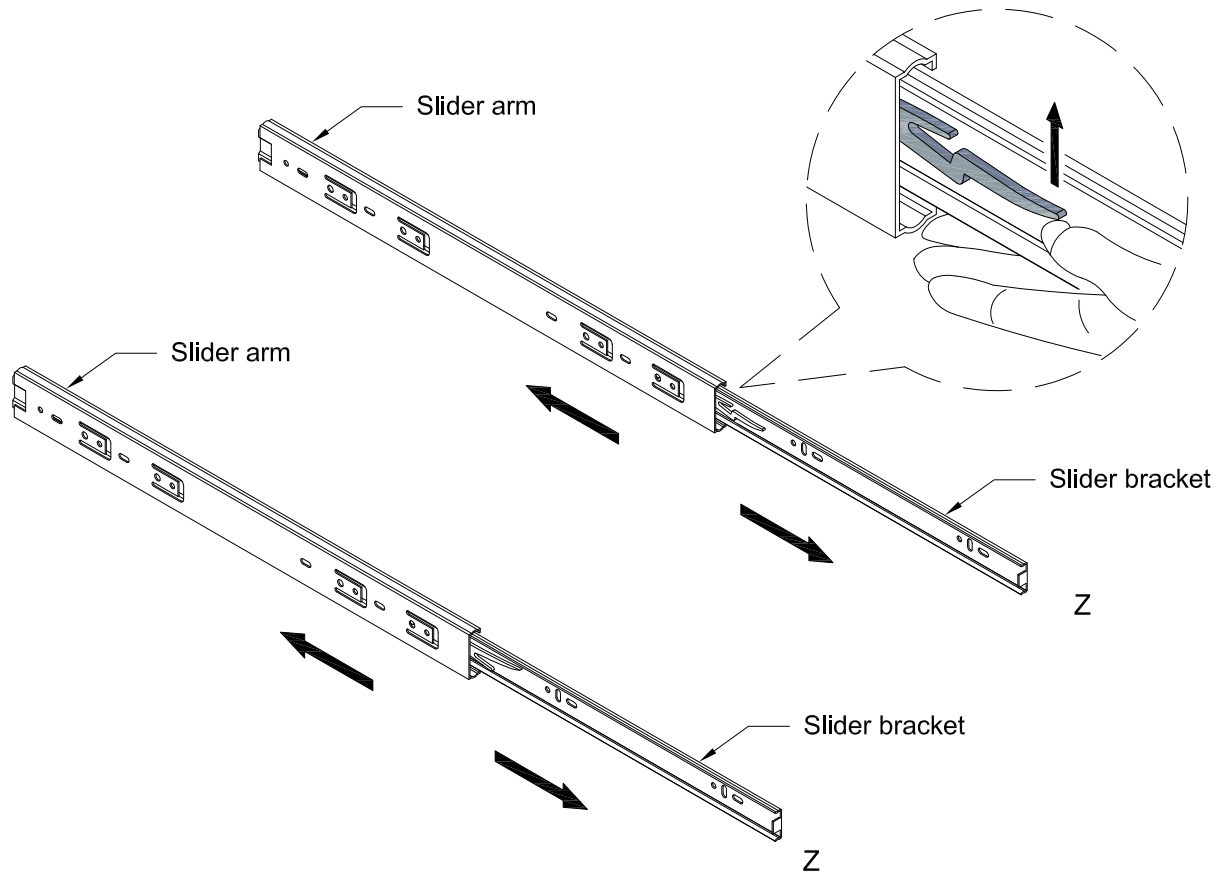
Insert wooden dowel (A) into parts (4,5,12,13,14,22) as per diagram.

Step 2



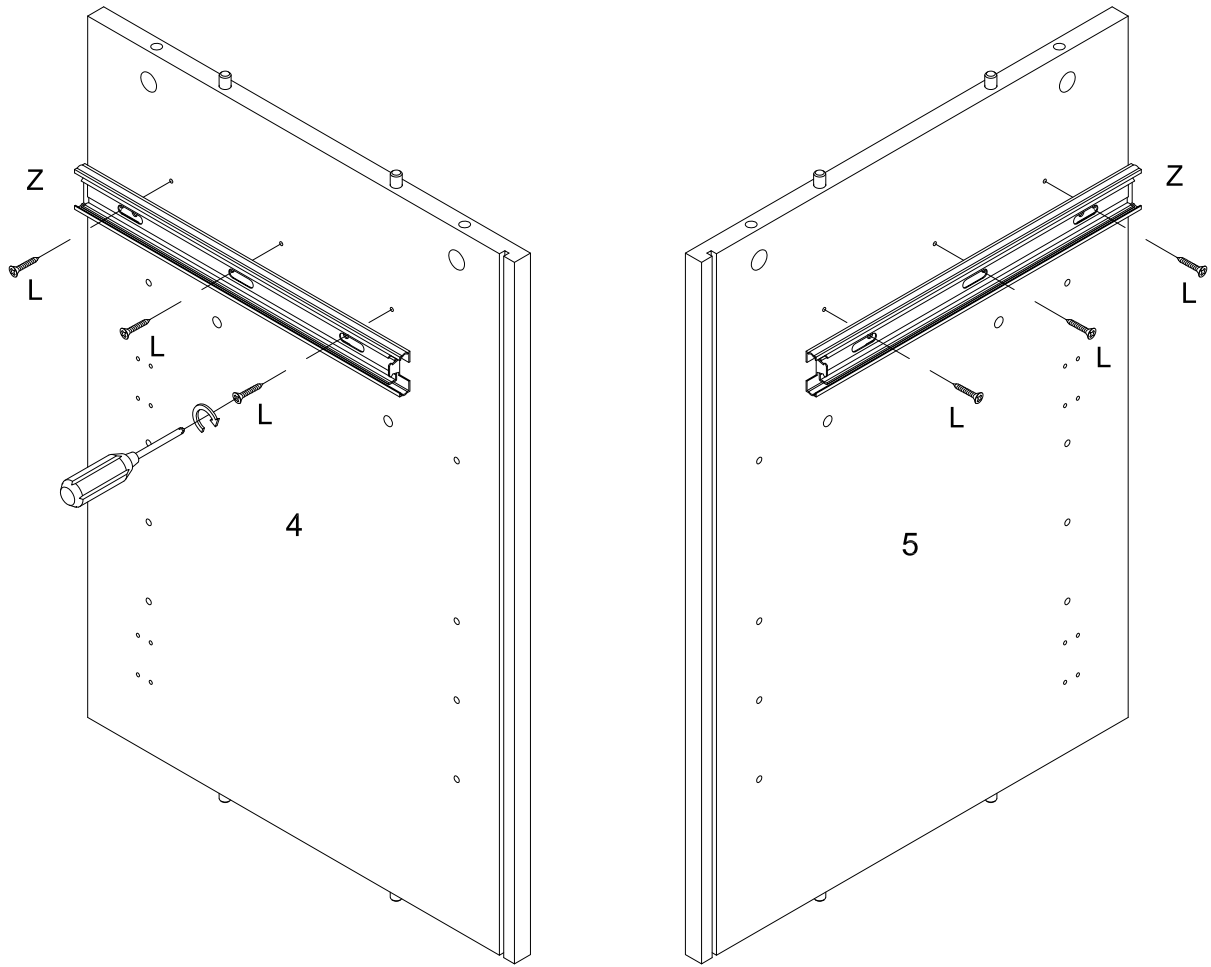
Insert wooden dowel (A) into part (3), secure cam bolt (D) into parts (1,3,4,5) with Philips head screwdriver as per diagram.

Step 3



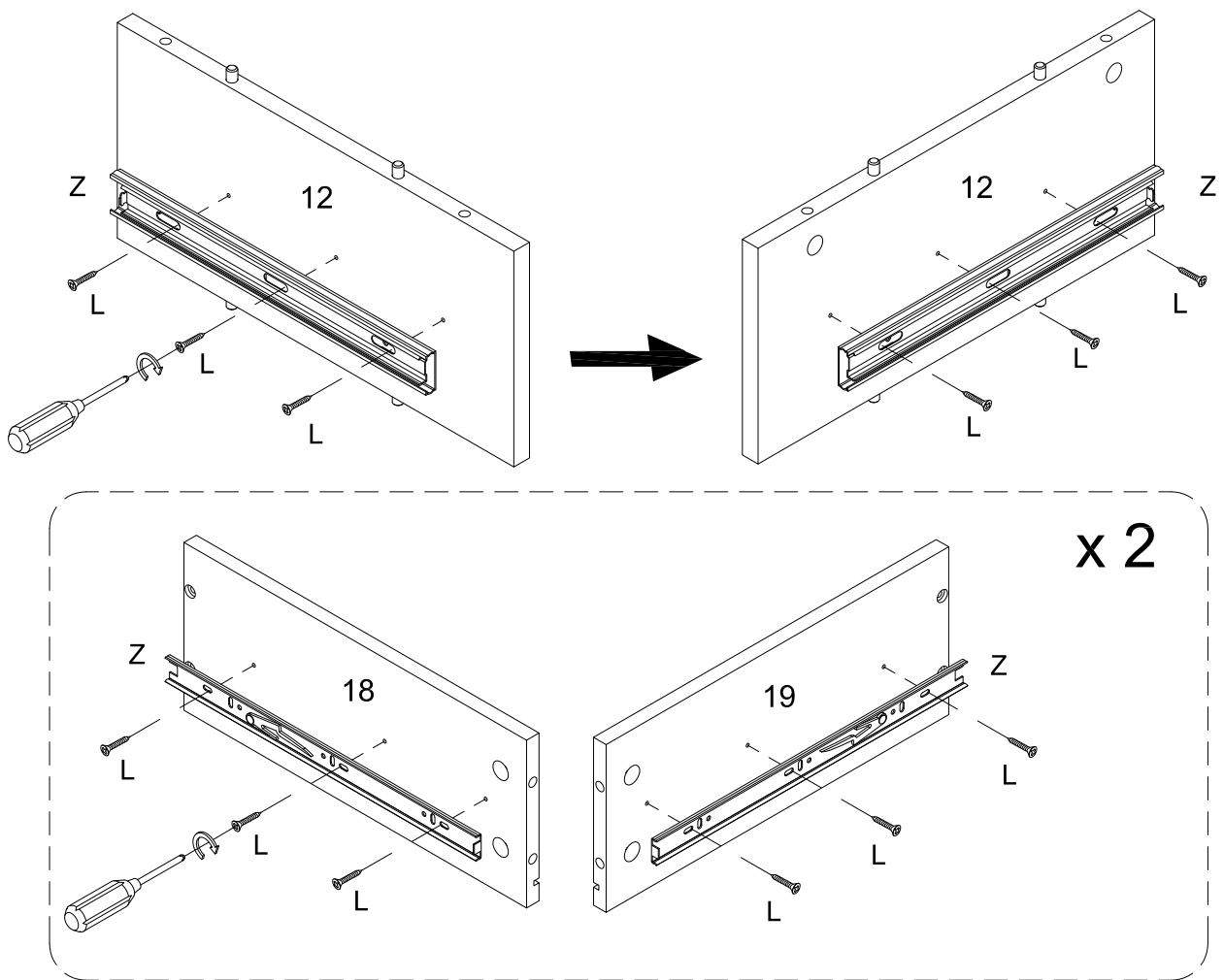
Pick up the slider arm (Z) and separate the slide Runner for the following Steps. Extend the Slide .Runner all the way forward,press the plastic release lever of the alider arm up and pull the Slide Runner Complete out .

Step 4



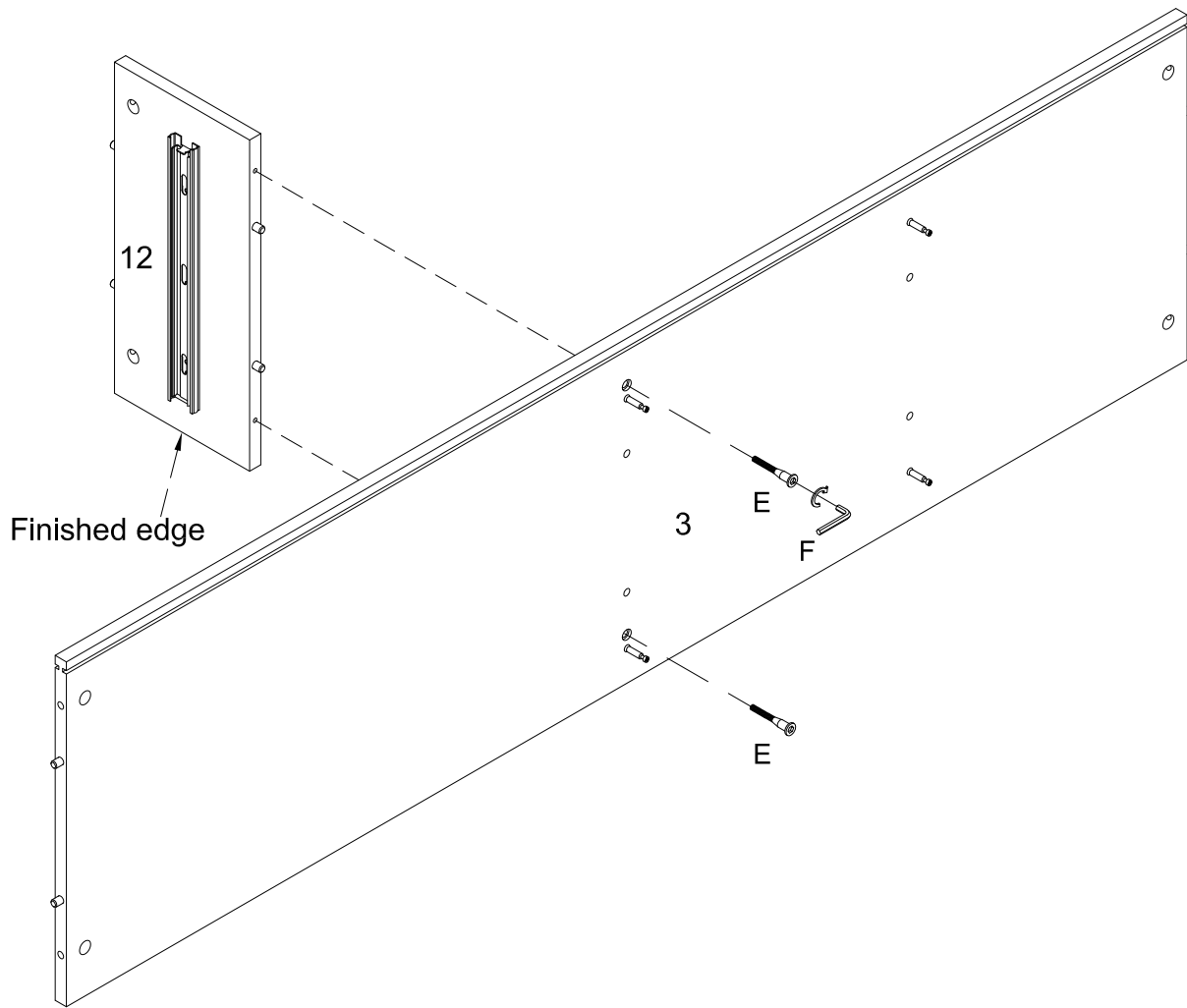
Using screw (L) attach part (Z) into parts (4,5) with Philips head screwdriver as per diagram.

Step 5



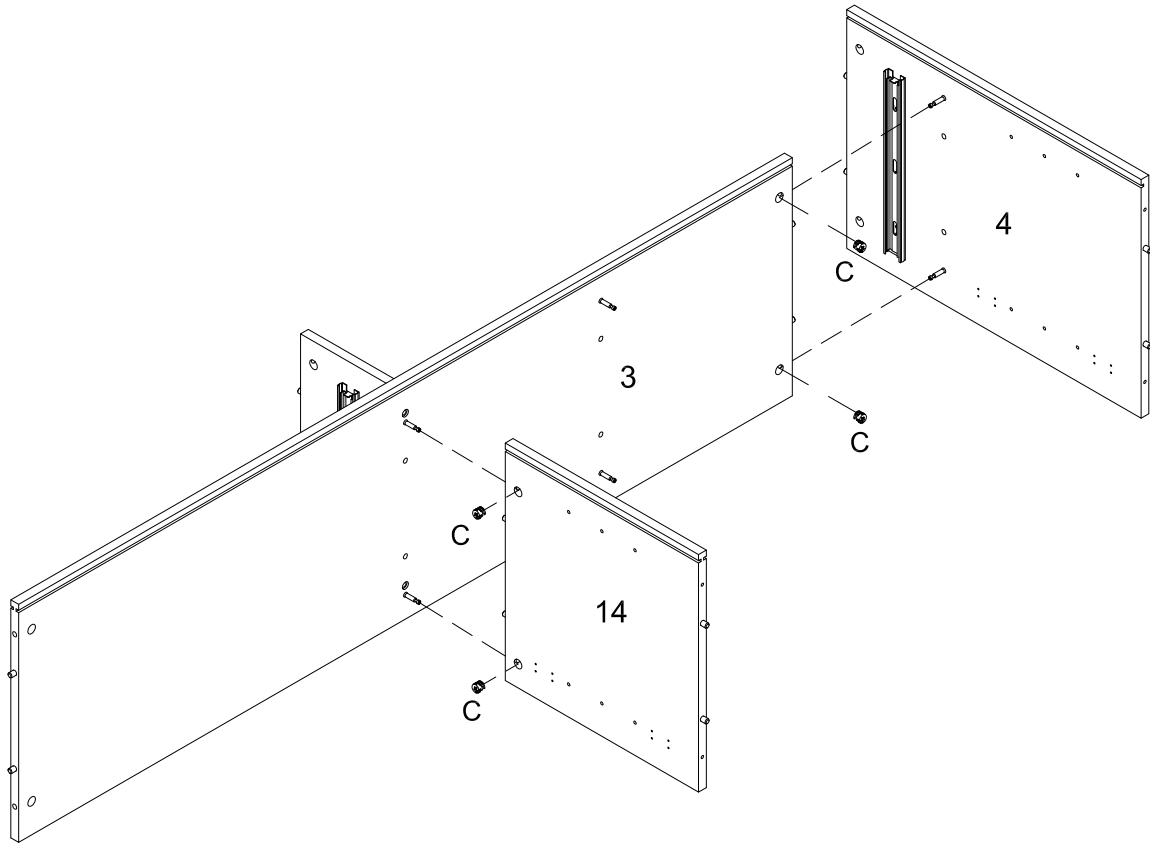
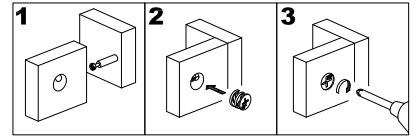
Using screw (L) attach part (Z) into parts (12) , then using screw (L) attach part (Z) into parts (18,19) with Philips head screwdriver as per diagram.

Step 6



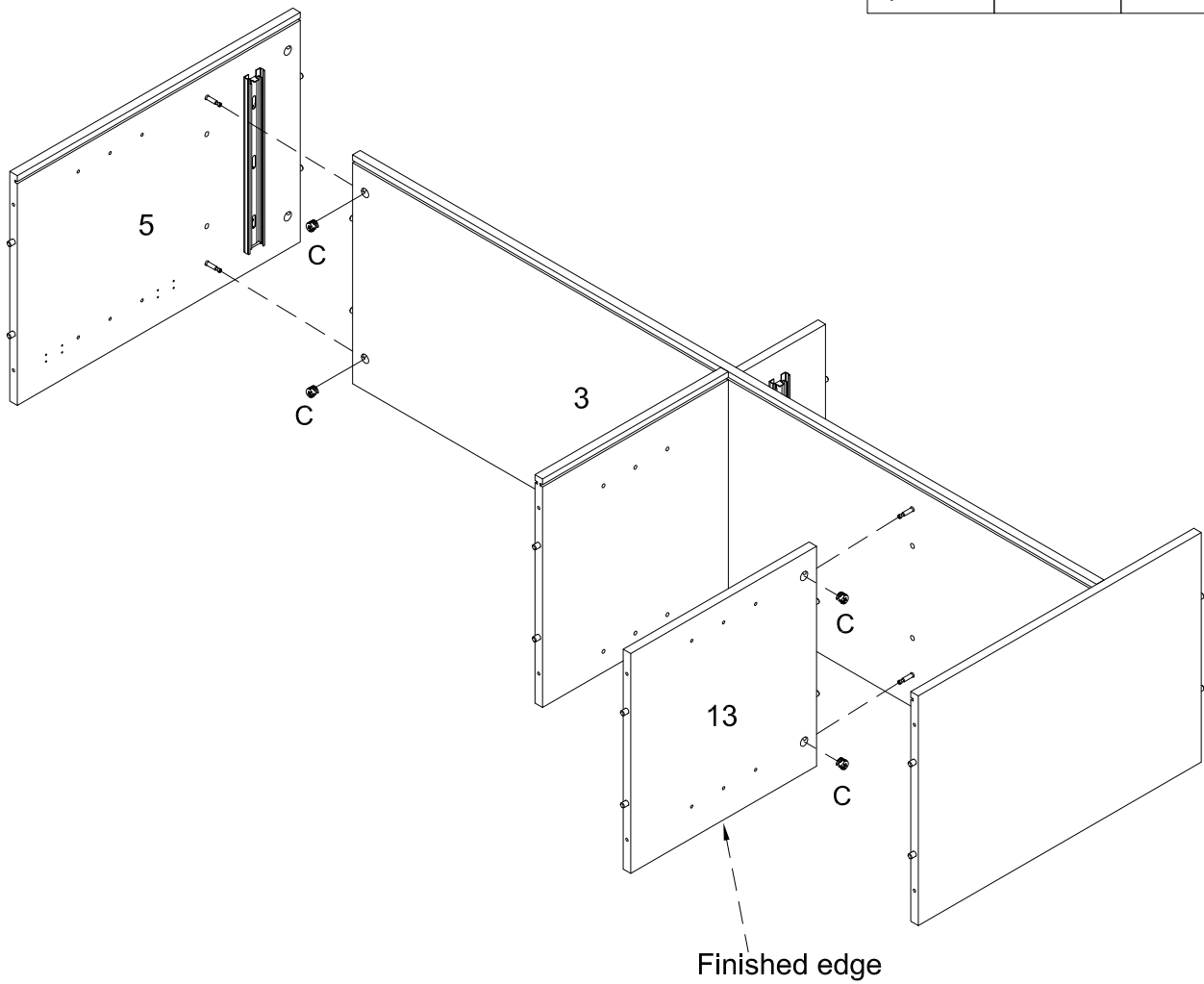
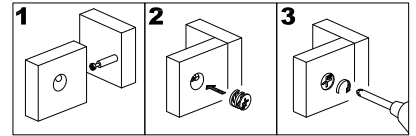
Using bolt (E) attach part (3) into part (12) with hex key (F) as per diagram.

Step 7



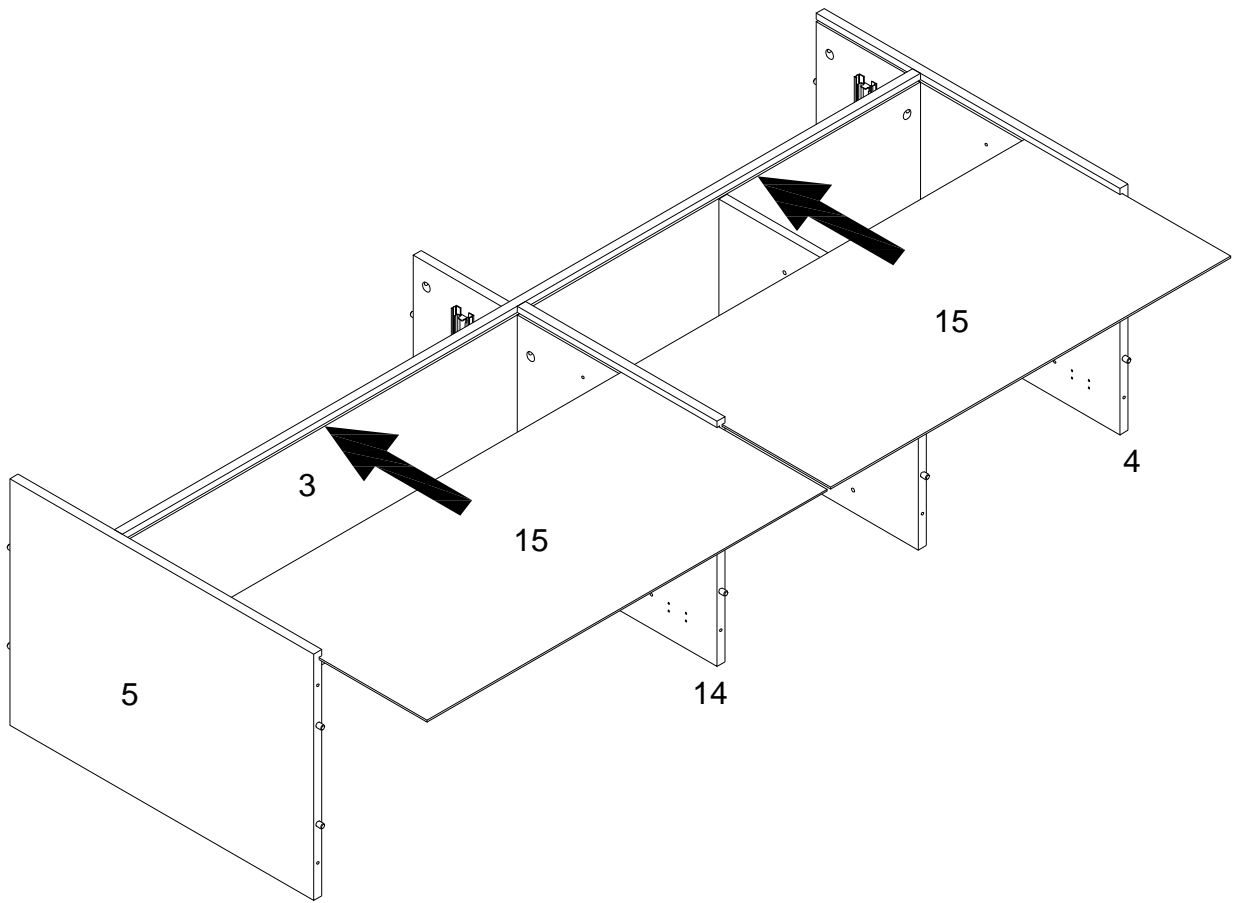
Using cam lock(C) secure parts (4,14) to part (3) with Philips head screwdriver as per diagram.

Step 8



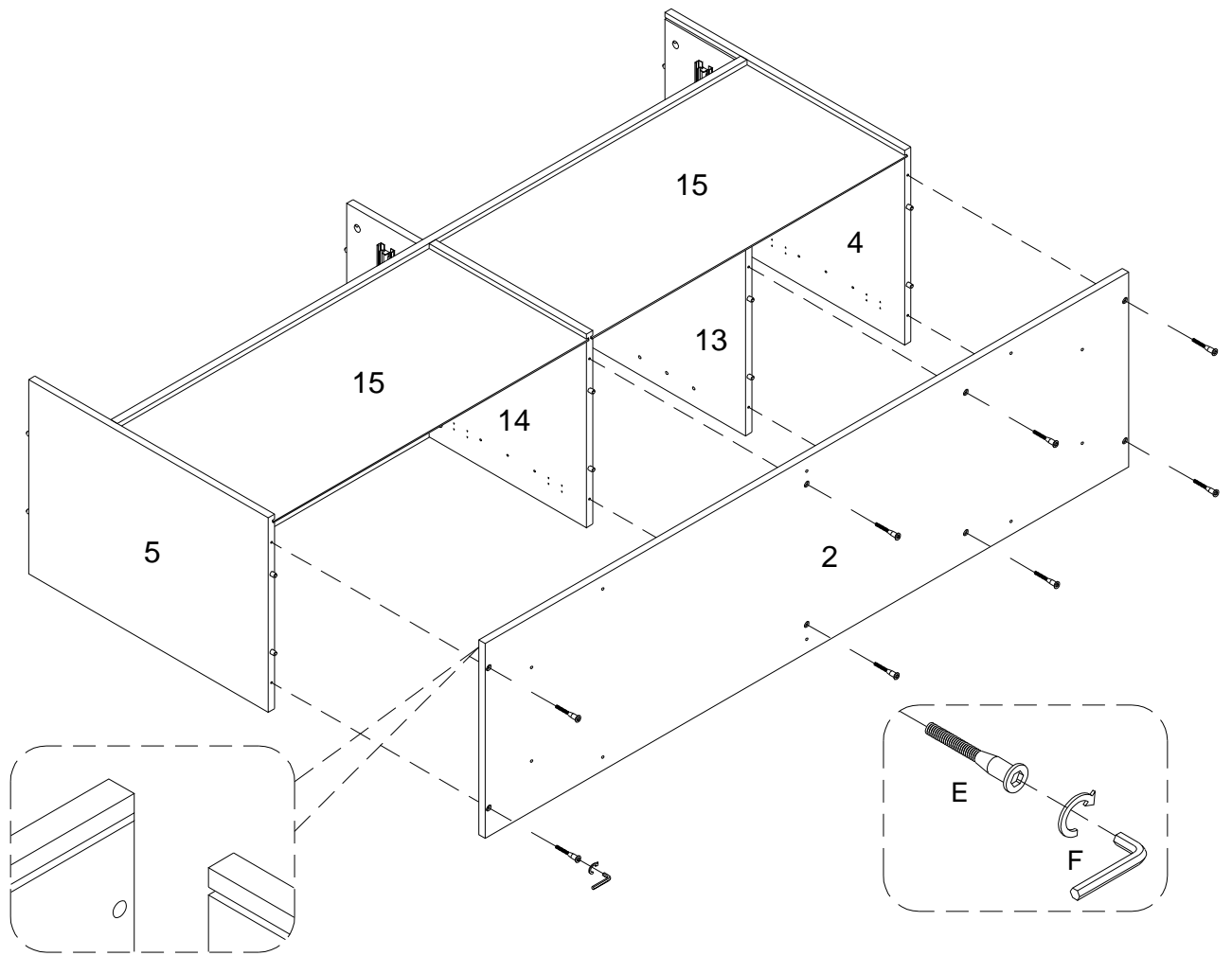
Using cam lock(C) secure parts (5,13) to part (3) with Philips head screwdriver as per diagram.

Step 9



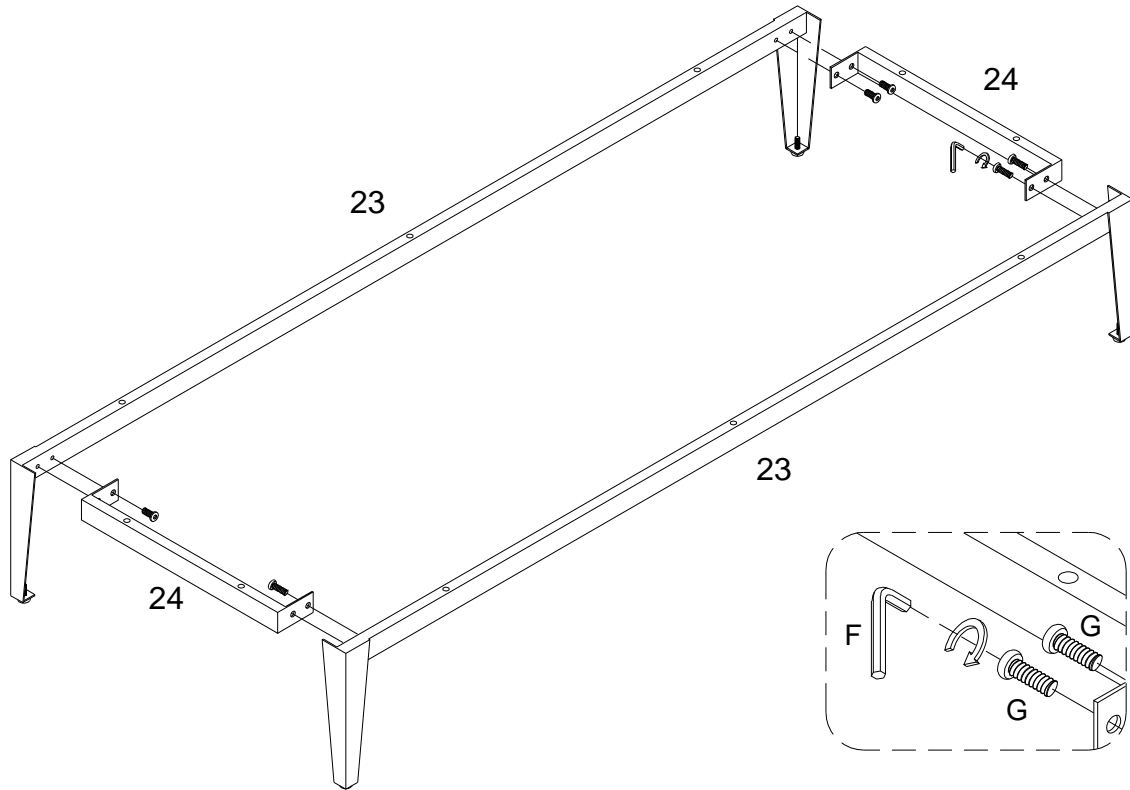
Put part (15) as per diagram.

Step 10



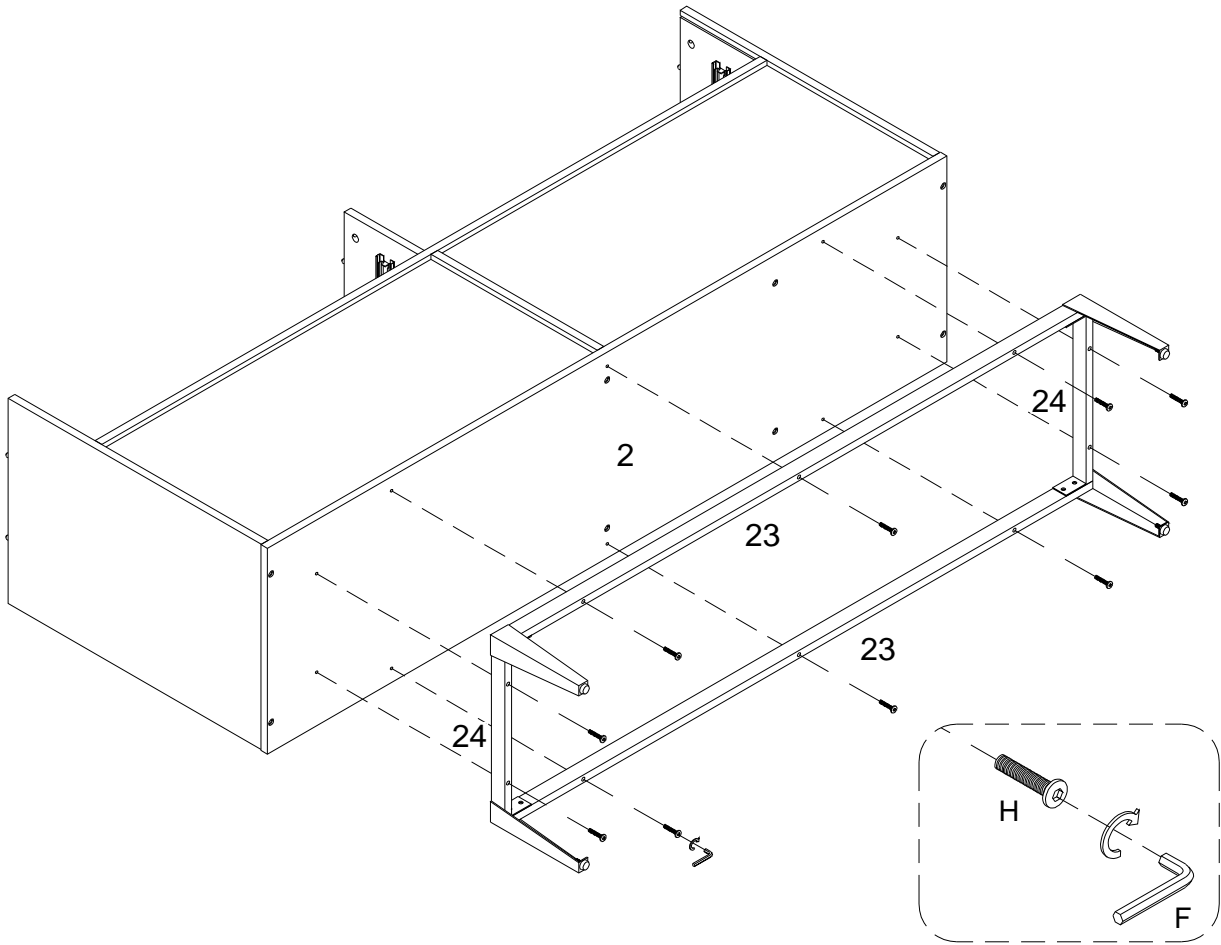
Using bolt (E) attach part (2) into parts (4,5,13,14) with hex key (F) as per diagram.

Step 11



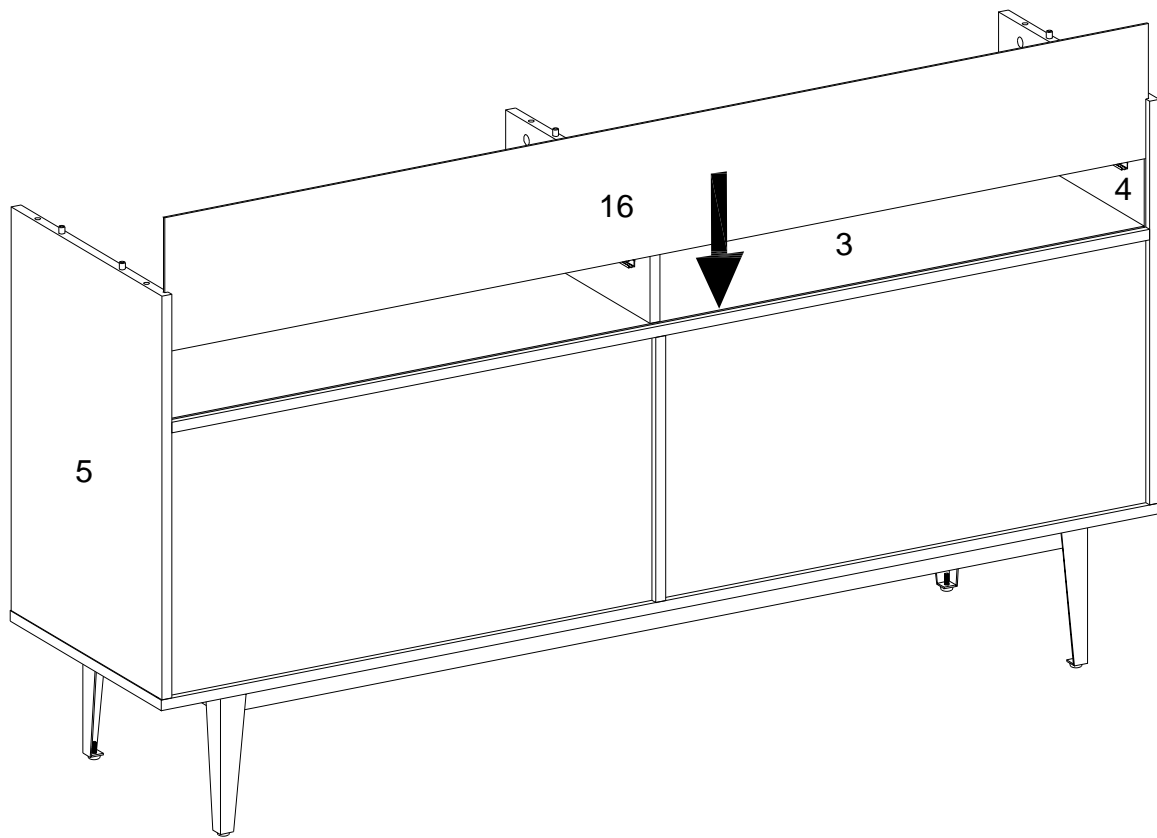
Using bolt (G) attach part (24) into part (23) with hex key (F) as per diagram.

Step 12



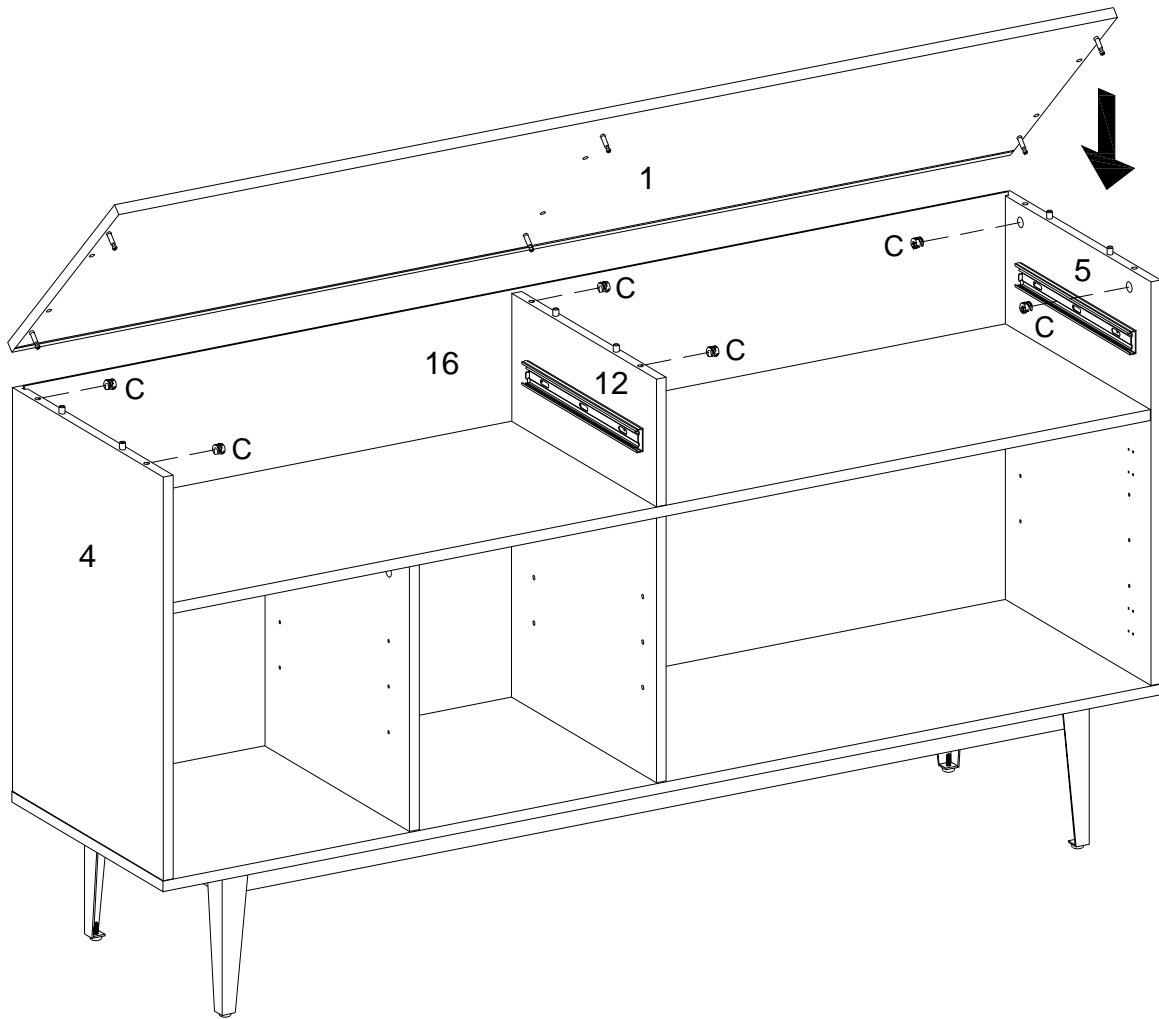
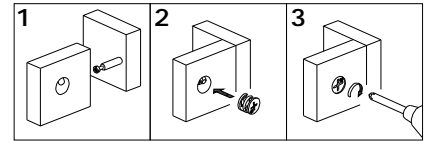
Using bolt (H) attach parts (23,24) into part (2) with hex key (F) as per diagram.

Step 13



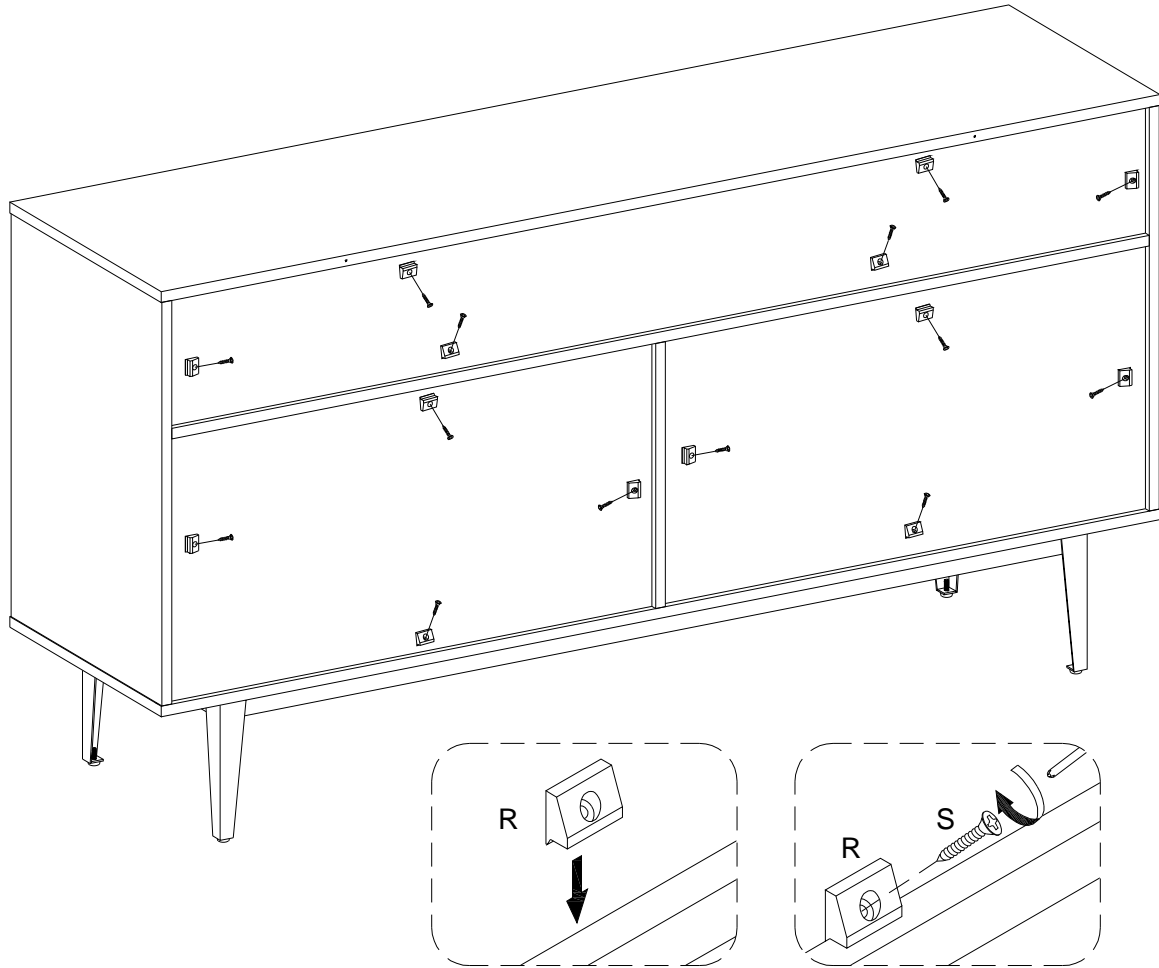
Put part (16) as per diagram.

Step 14



Using cam lock (C) secure part (1) into parts (4,5,12) with Philips head screwdriver as per diagram.

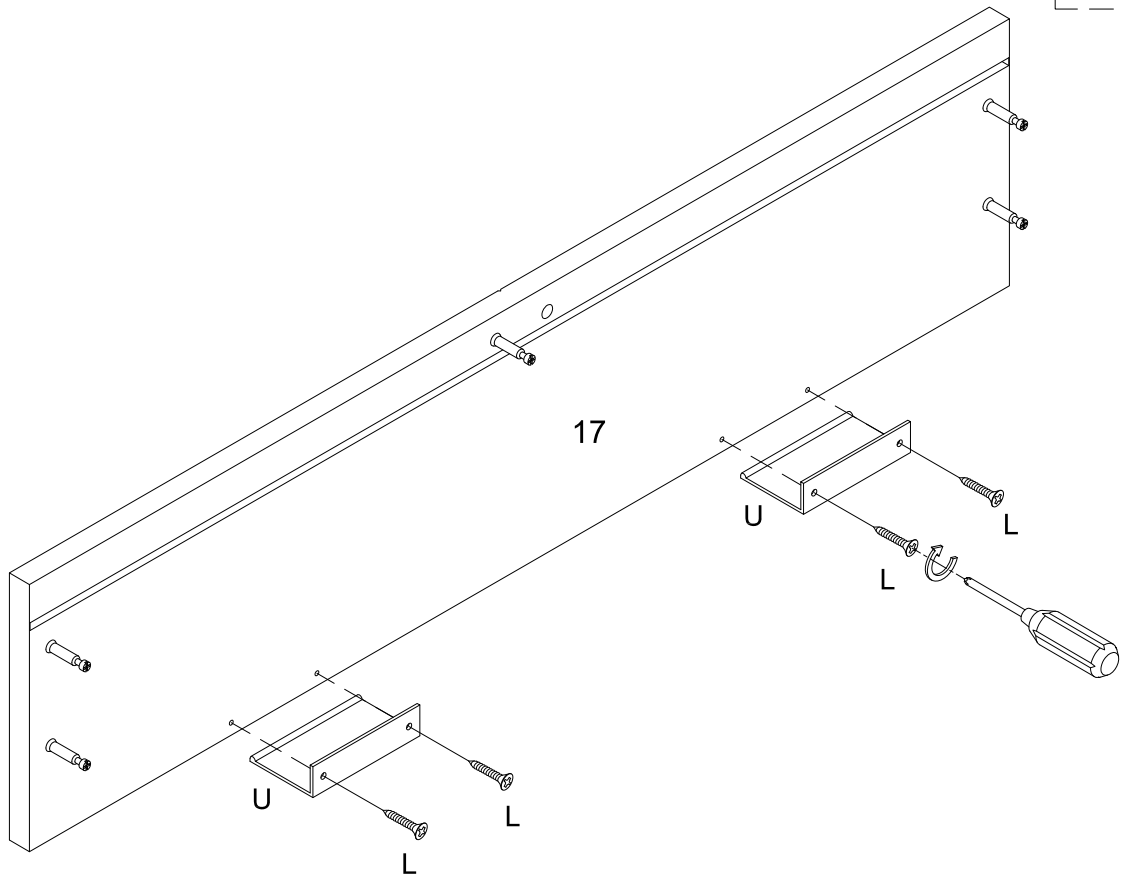
Step 15



Using screw (S) secure plastic wedge (R) with Philips head screwdriver as per diagram.

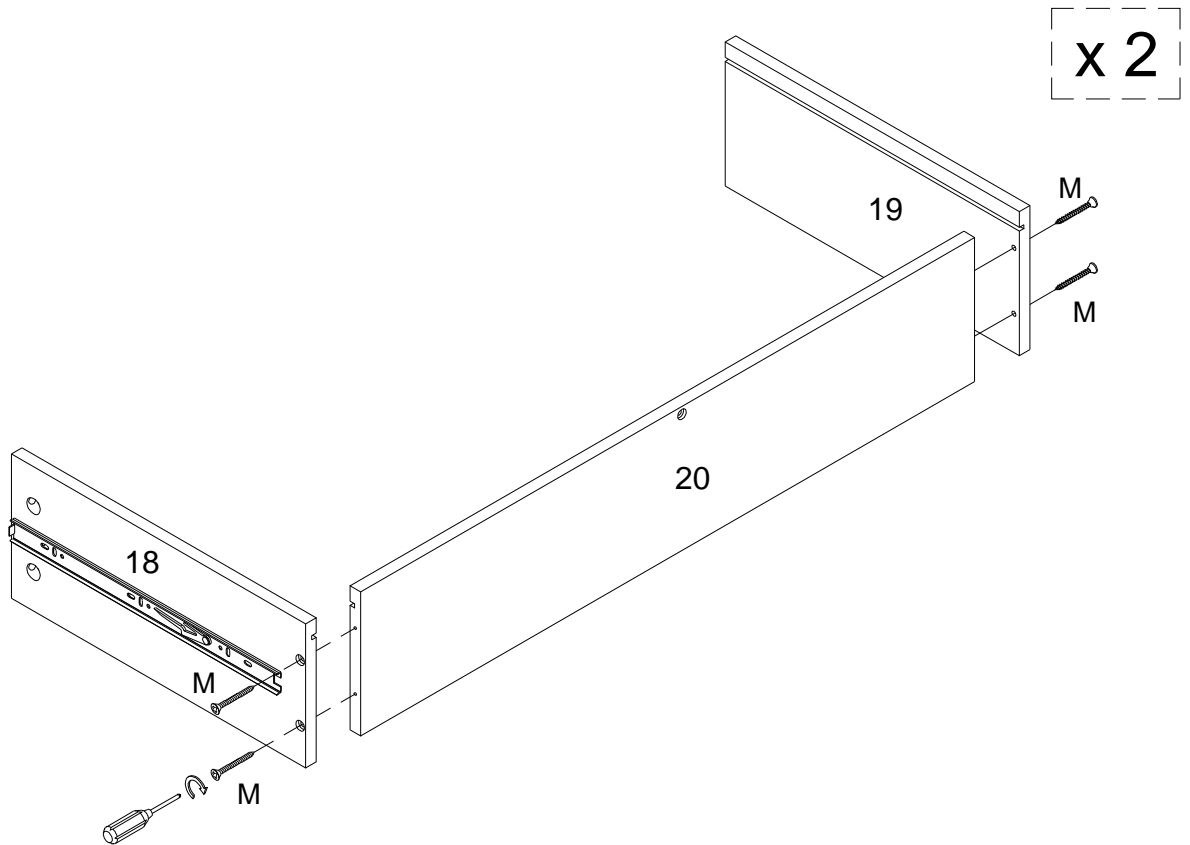
Step 16

x 2



Using screw (L) attach handle (U) to part (17) with Philips head screwdriver as per diagram.

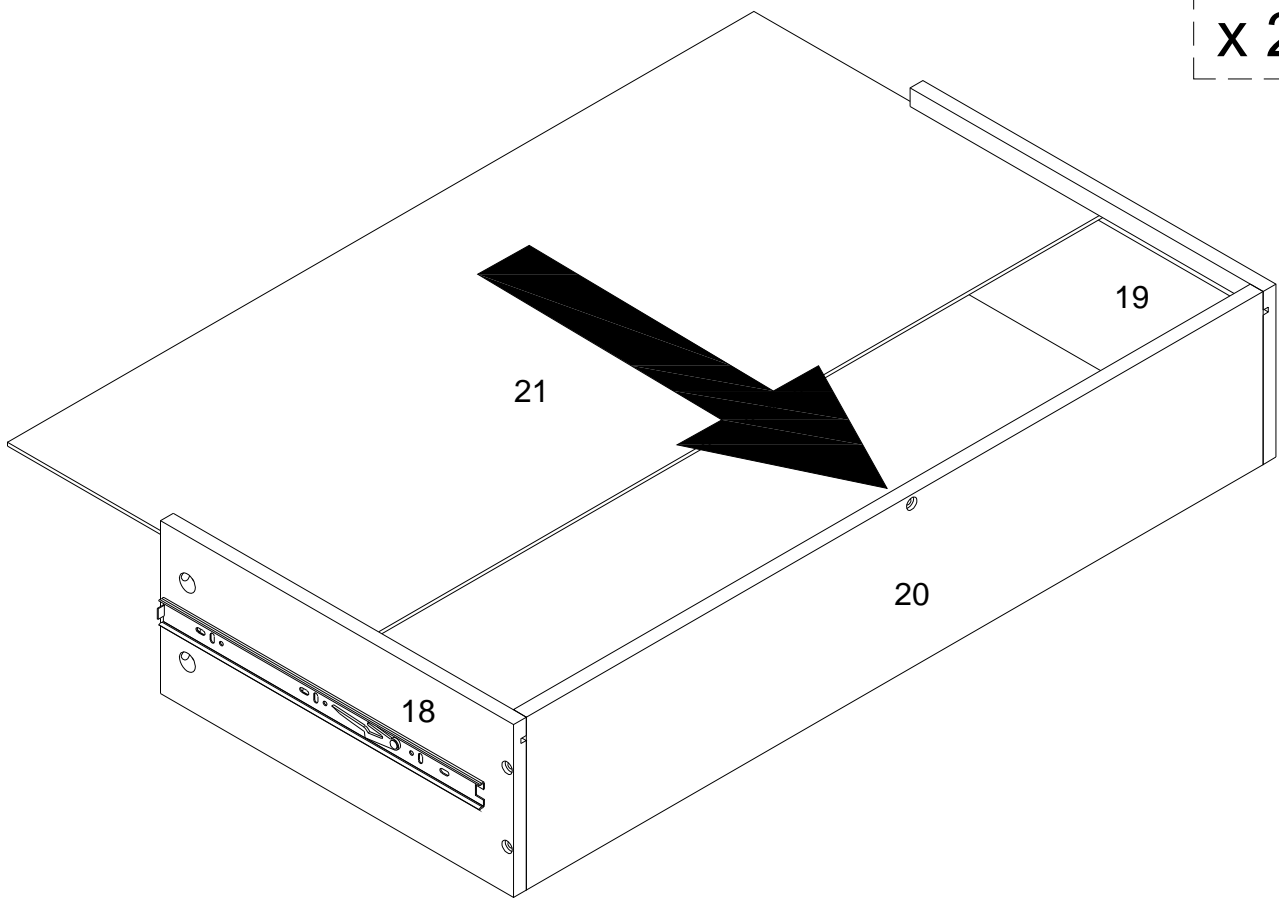
Step 17



Using screw (M) attach parts (18,19) to part (20) with Philips head screwdriver as per diagram.

Step 18

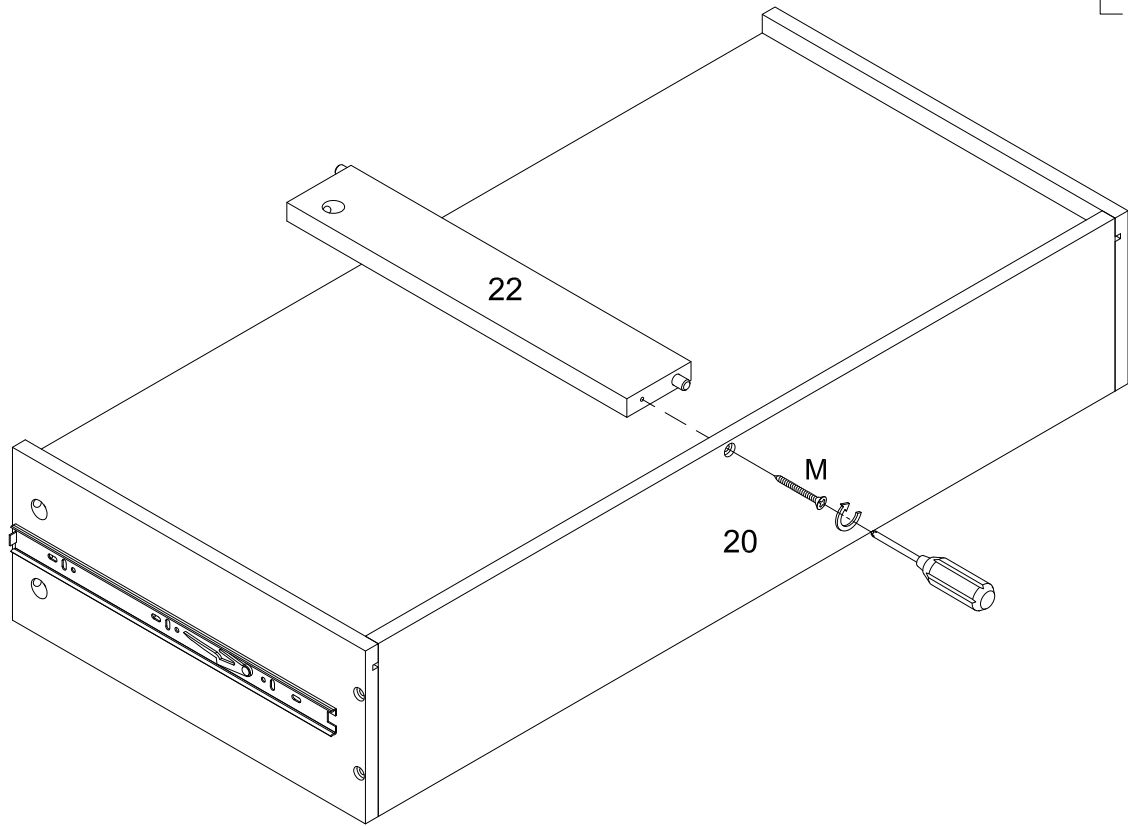
x 2



Put part (21) as per diagram.

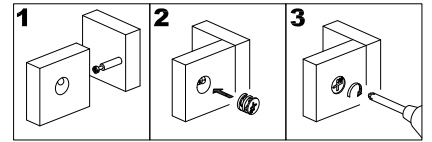
Step 19

x 2

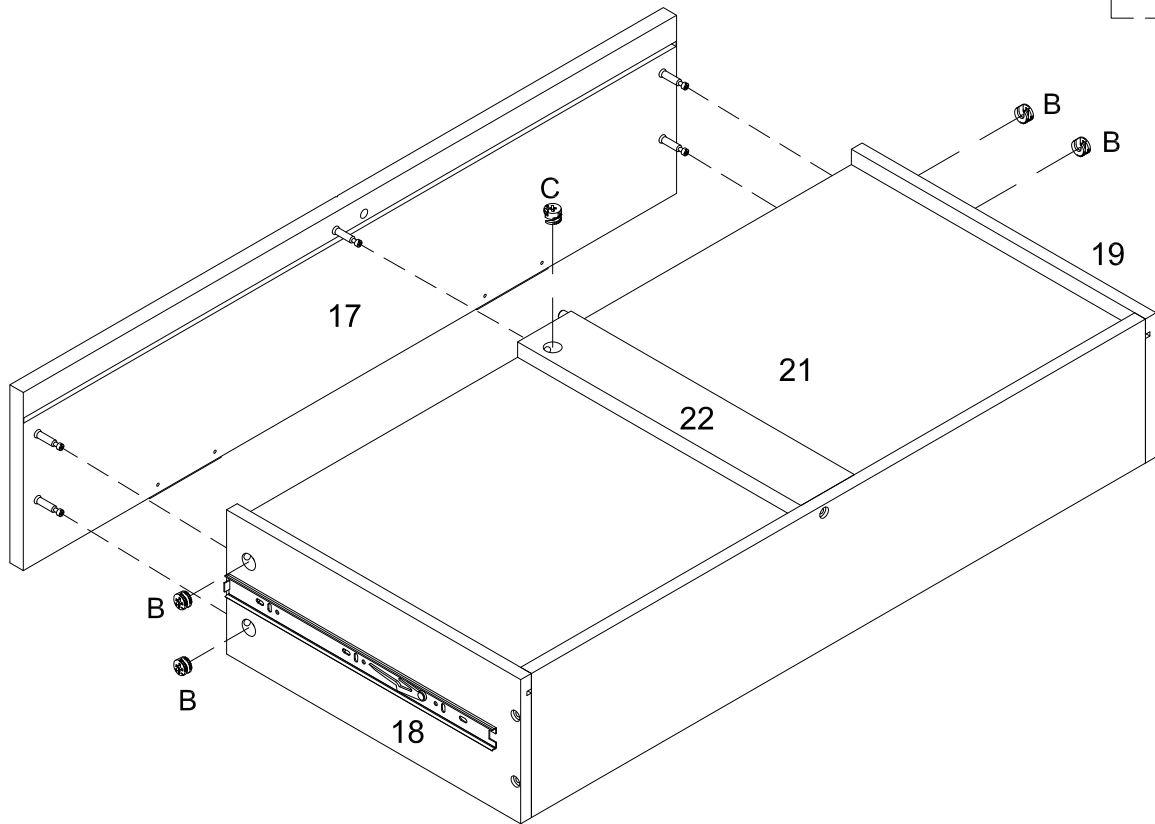


Using screw (M) secure part (20) to part (22) with Philips head screwdriver as per diagram.

Step 20

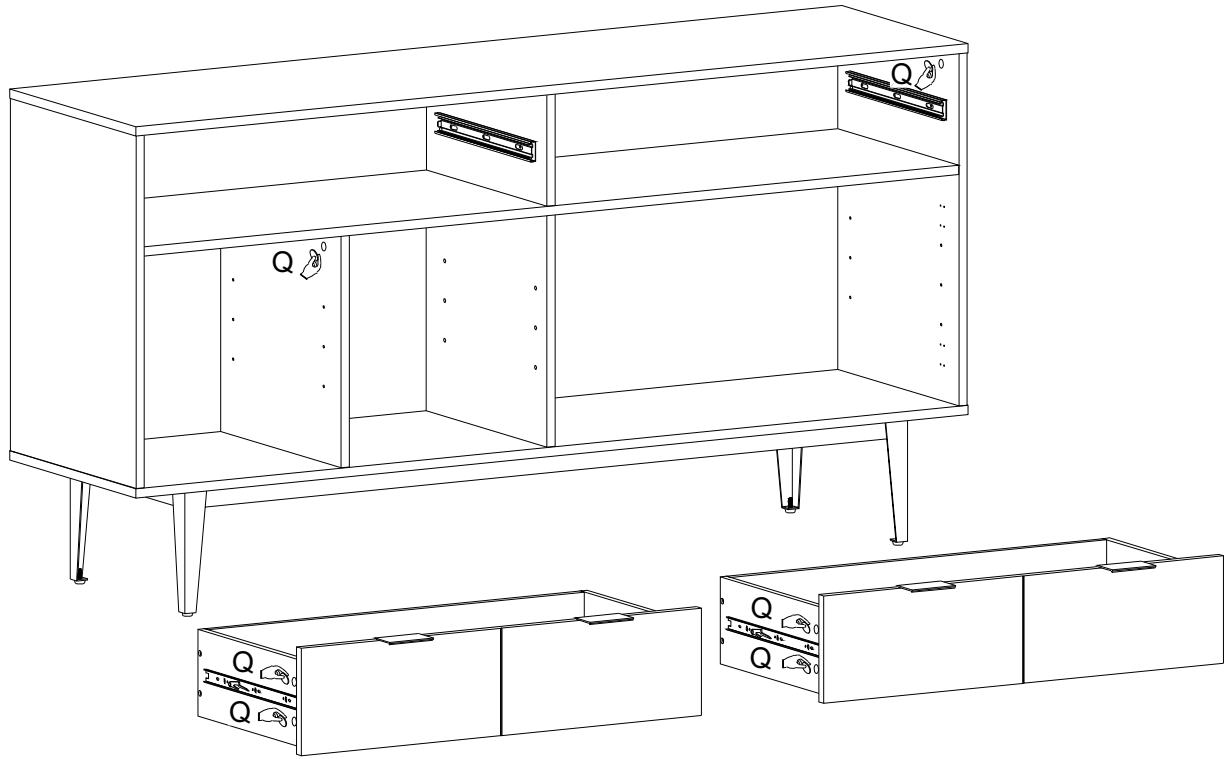


x 2



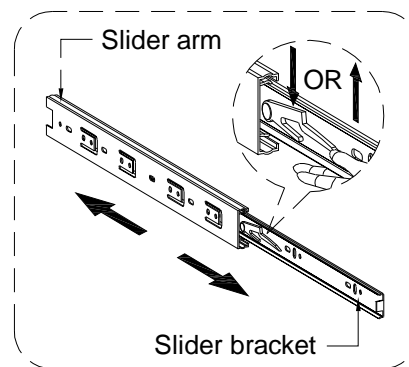
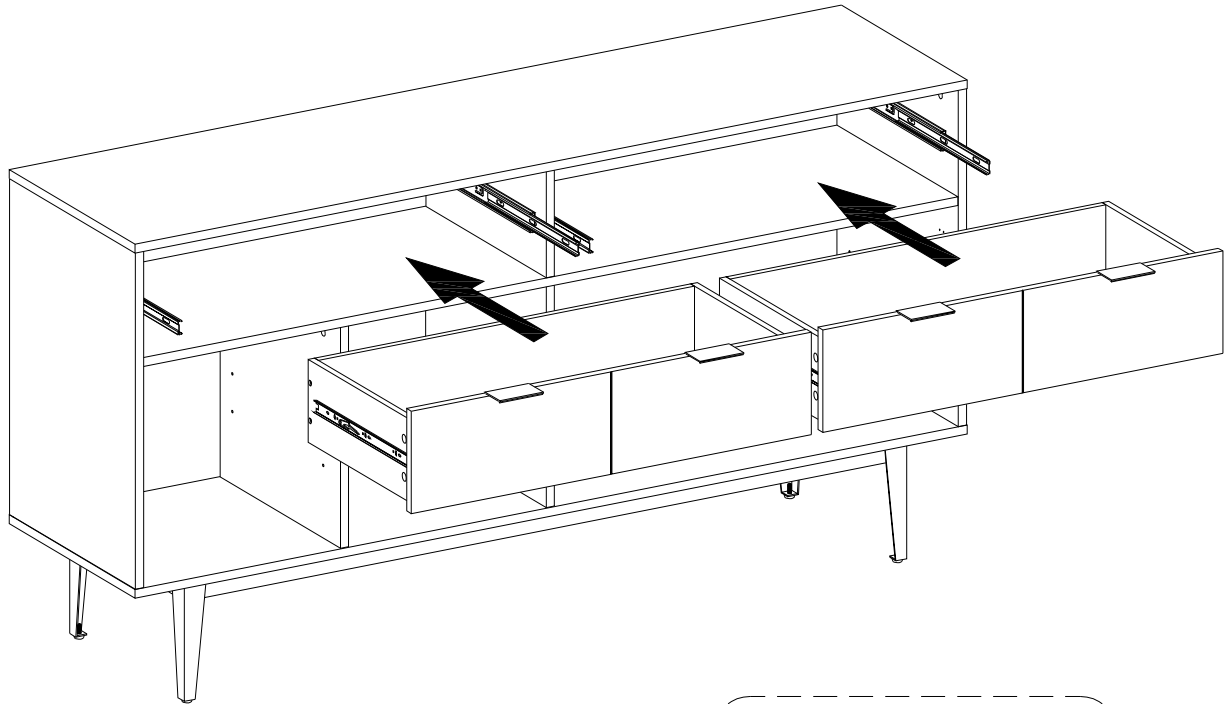
Using cam lock (B) secure part (17) to parts (18,19) , then using cam lock (C) secure part (17) to part (22) with Philips head screwdriver as per diagram.

Step 21



Place sticker (Q) cover the holes as per diagram .

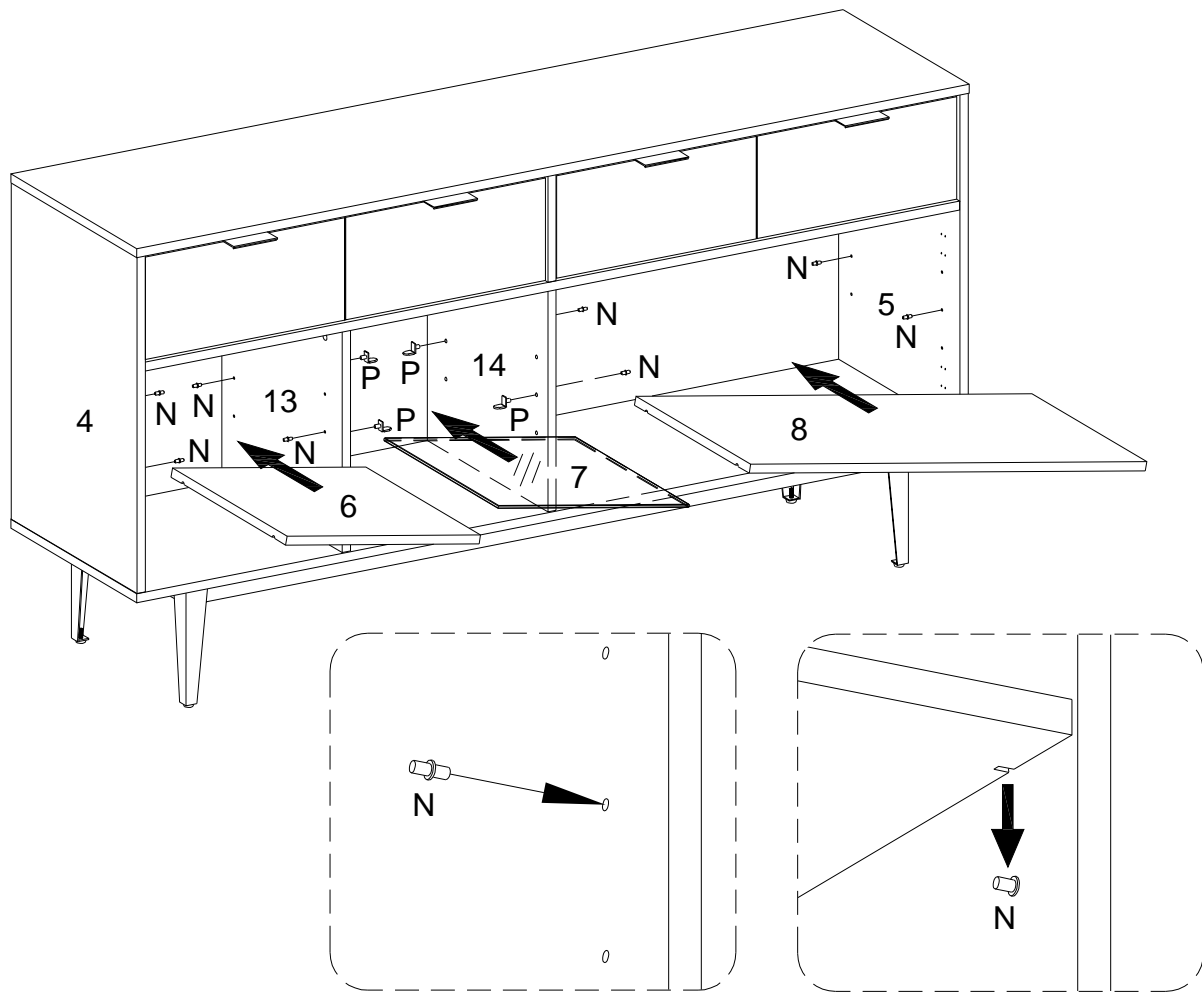
Step 22



Insert the assembled drawers into the unit frame, extend the Ball Bearing Slide Tracks on the pedestal Side Panel all the way forward. Then align the Slide Runners on the assembled drawers with the Slide Tracks and push the drawer carefully inside until it stops.

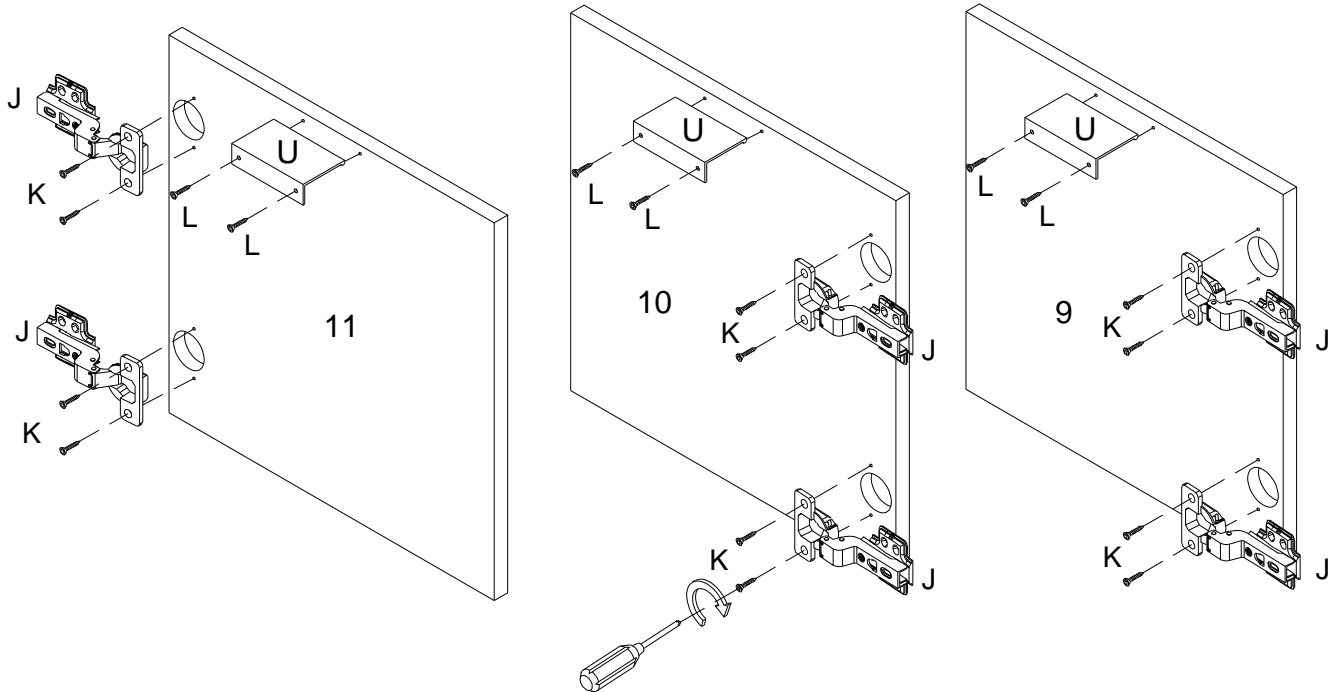
Note : if the drawer does not go in smoothly, please take it out and repeat the step. If you need to remove the drawer, please pull the drawer all the way out, then push the plastic release lever of the ball bearing slide up on one side and down on the other side, and then pull it completely out.

Step 23



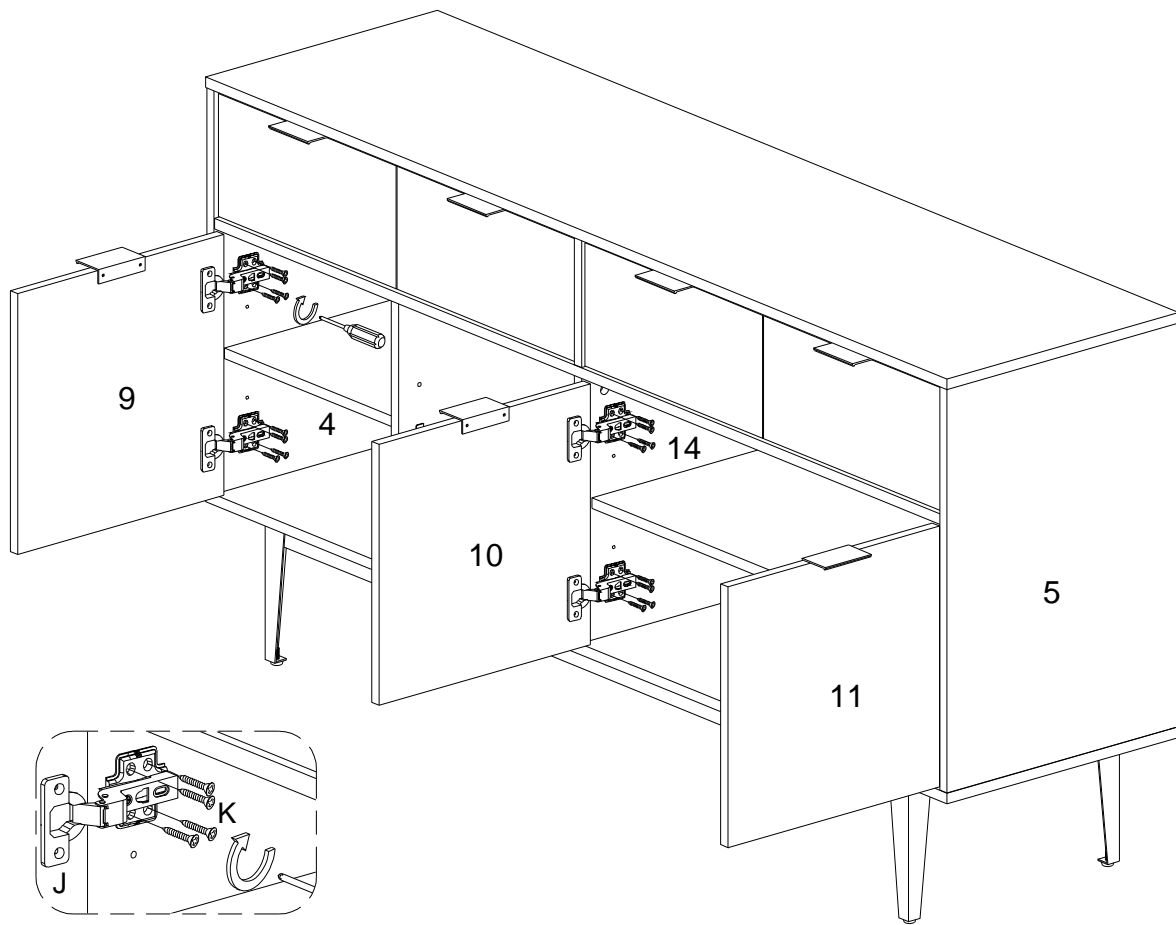
Insert shelf support pins (N,P) into unit as per diagram. Make sure you place the four shelf support pins (N,P) in the same level. So the shelf is not titled .Put parts (6,7,8) into unit as per diagram.Tilt and rest the adjustable shelf (6,7,8) onto the shelf support pins .

Step 24



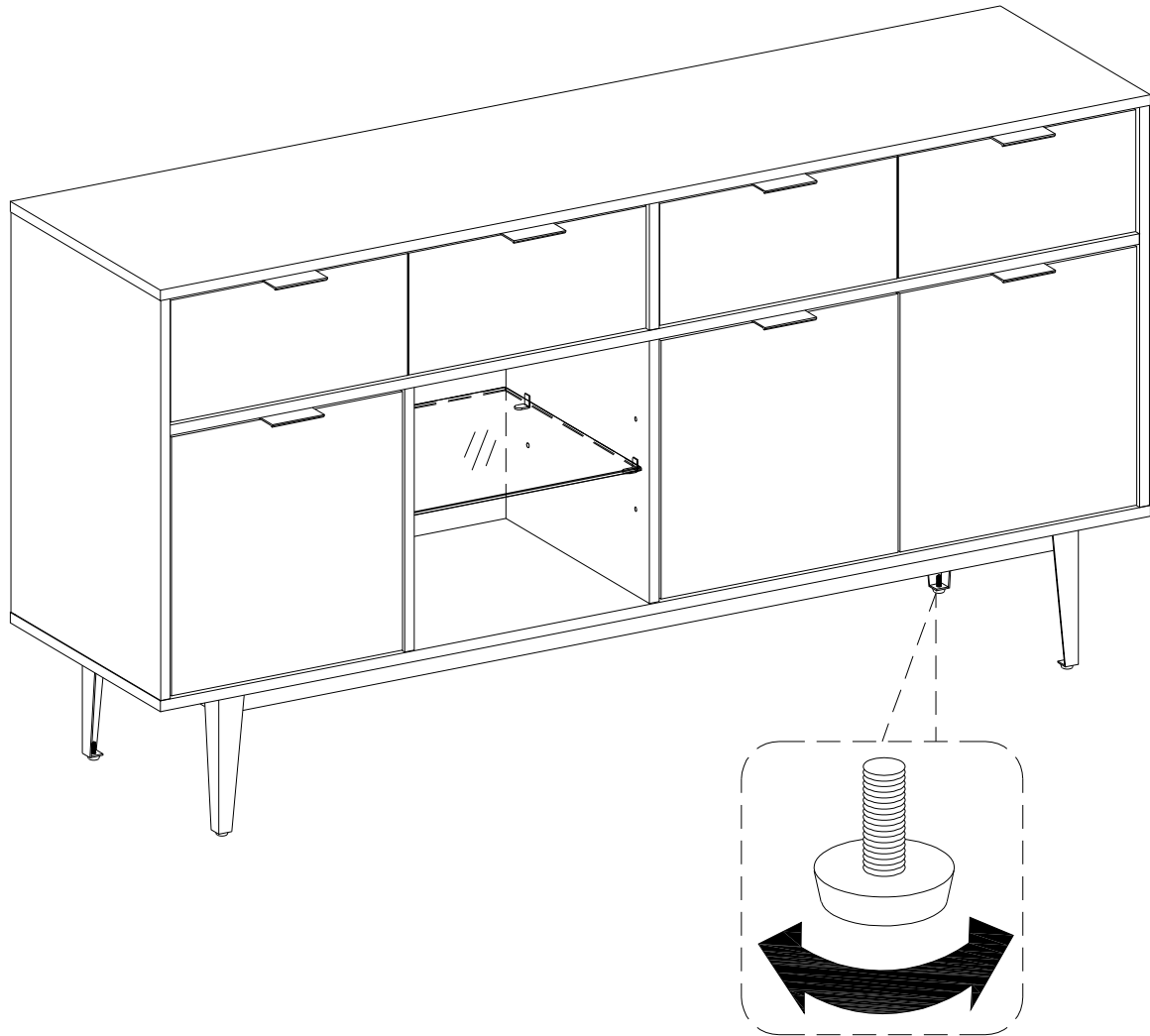
Using screw (K) attach Europe hinge (J) into parts (9,10,11) ,then using screw (L) attach handle (U) to parts (9,10,11) with Philips head screwdriver as per diagram.

Step 25



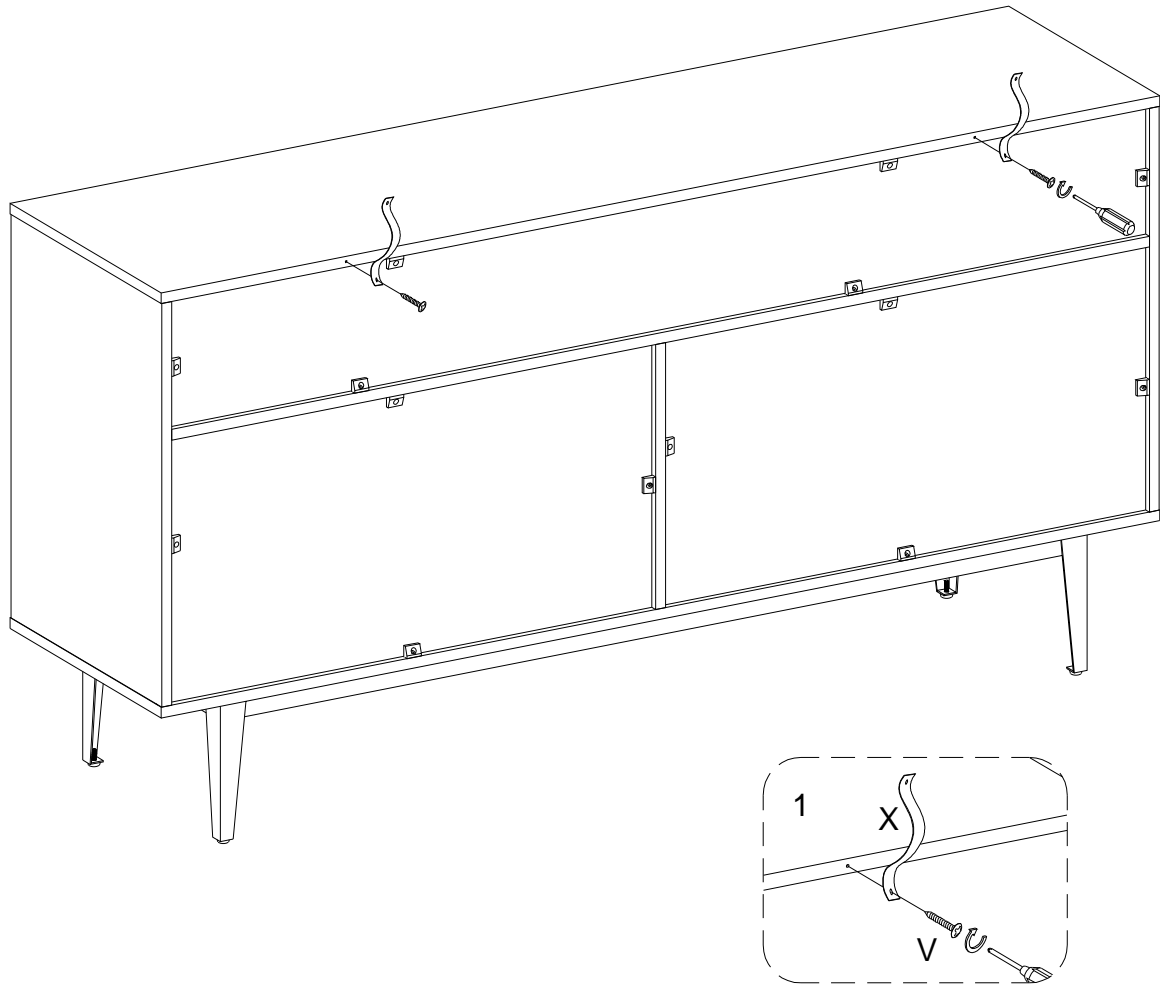
Using screw (K) attach Europe hinge (J) into parts (4,5,14) with Philips head screwdriver as per diagram. Open and close the doors ,if necessary adjust the screws for a good fit.

Step 26



Position the assembled unit at the desired location ,if necessary adjust the floor leveler at the bottom of the legs to level the unit .

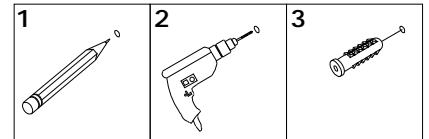
Step 27



Using screw (V) attach Velcro strap (X) into part (1) with Philips head screwdriver as per diagram.

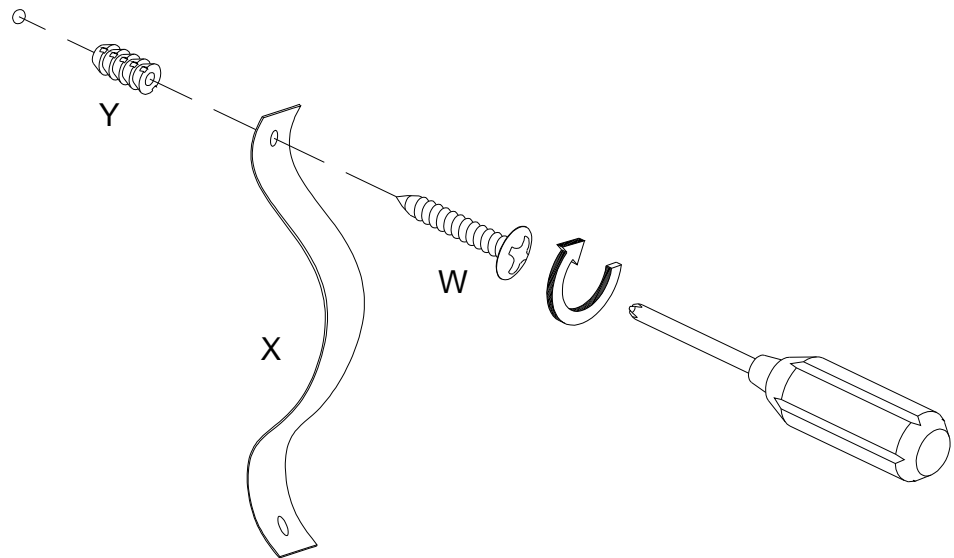
Step 28

WARNING



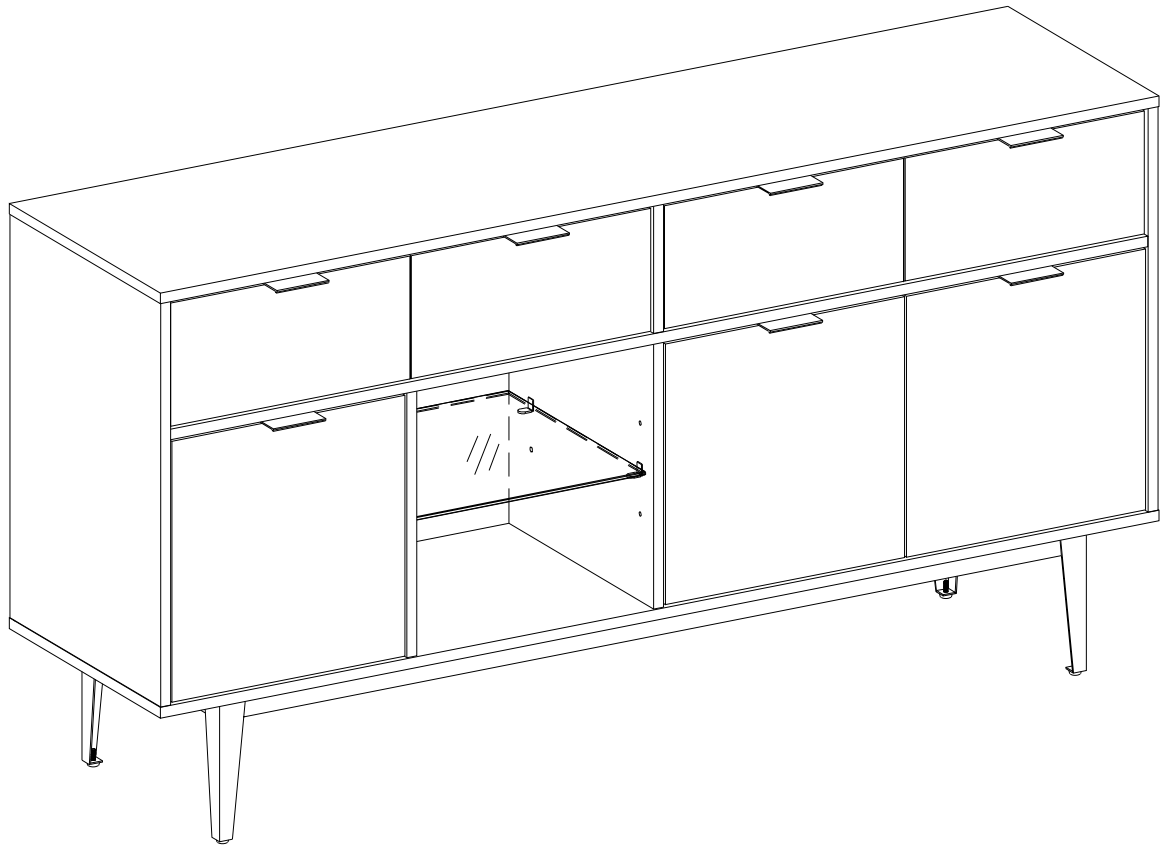
Serious or fatal injuries can occur from furniture tipping over. To prevent the furniture from tipping over we recommend that it is permanently fixed to the wall. Wall anchor and hardware are included with this product. Please make sure hardware is suitable for your walls before installing, as different wall materials may require different types of anchors.

Wall



Using screw (W) attach Velcro strap (X) into Nut (Y) to wall with Philips head screwdriver as per diagram.

Step 29



Final Assembly