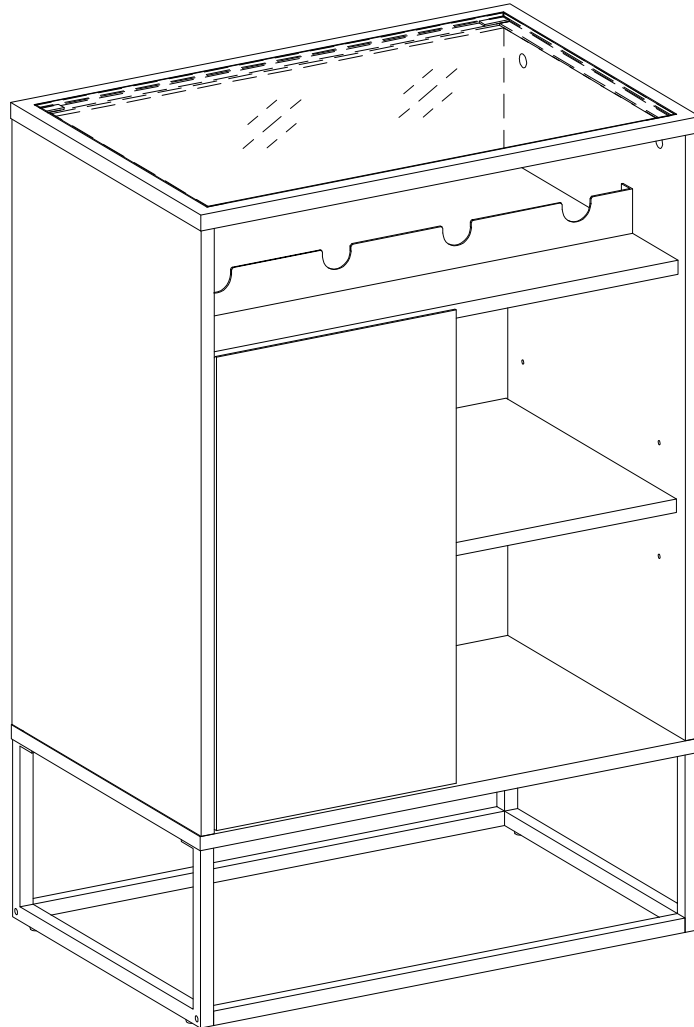


Item # : BU24WILBC Assembly Instructions



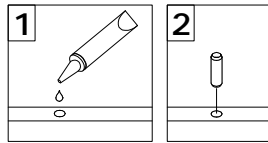
Walker Edison®

Please visit our website for the most current instructions, assembly tips, report damage, or request parts. www.walkeredison.com

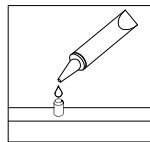
Revised 04/09/2020 (E)

General Assembly Guidelines

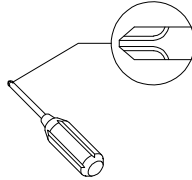
- I. Ensure that all parts and hardware are available before beginning assembly.
- II. Follow each step carefully to ensure the proper assembly of this product.
- III. Two people are recommended for ease in the assembly of this product.
- IV. The three main types of hardware used to assemble this product are : wood dowels , screws and bolts.
- V. The provided glue is to secure wood dowels in place . When first inserting dowels , locate the appropriate hole for the dowel , place a small amount of glue in the hole and insert the dowel . Wipe away excess glue immediately.



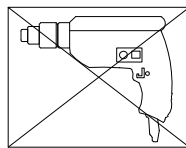
In future assembly steps when dowels are necessary to attach assembly parts together , place a small amount of glue on the end of the dowel before attaching parts together . Wipe away excess glue immediately.



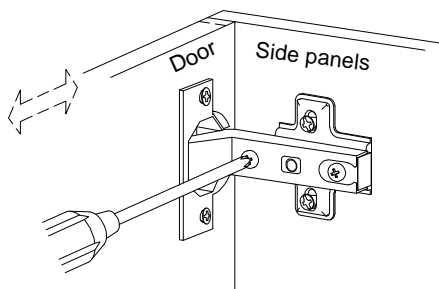
- VI. A Phillips head screwdriver is required for the assembly of this product .



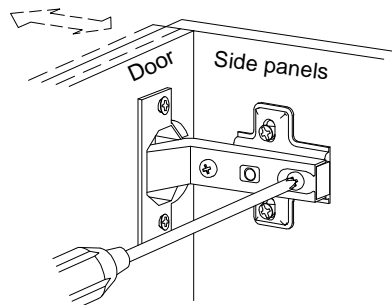
- VII. Power tools should not be used to assemble this product .



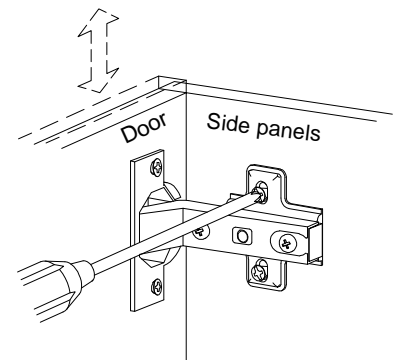
- VIII. Concealed hinges are three-way adjustable.



Horizontal
by screw adjustment

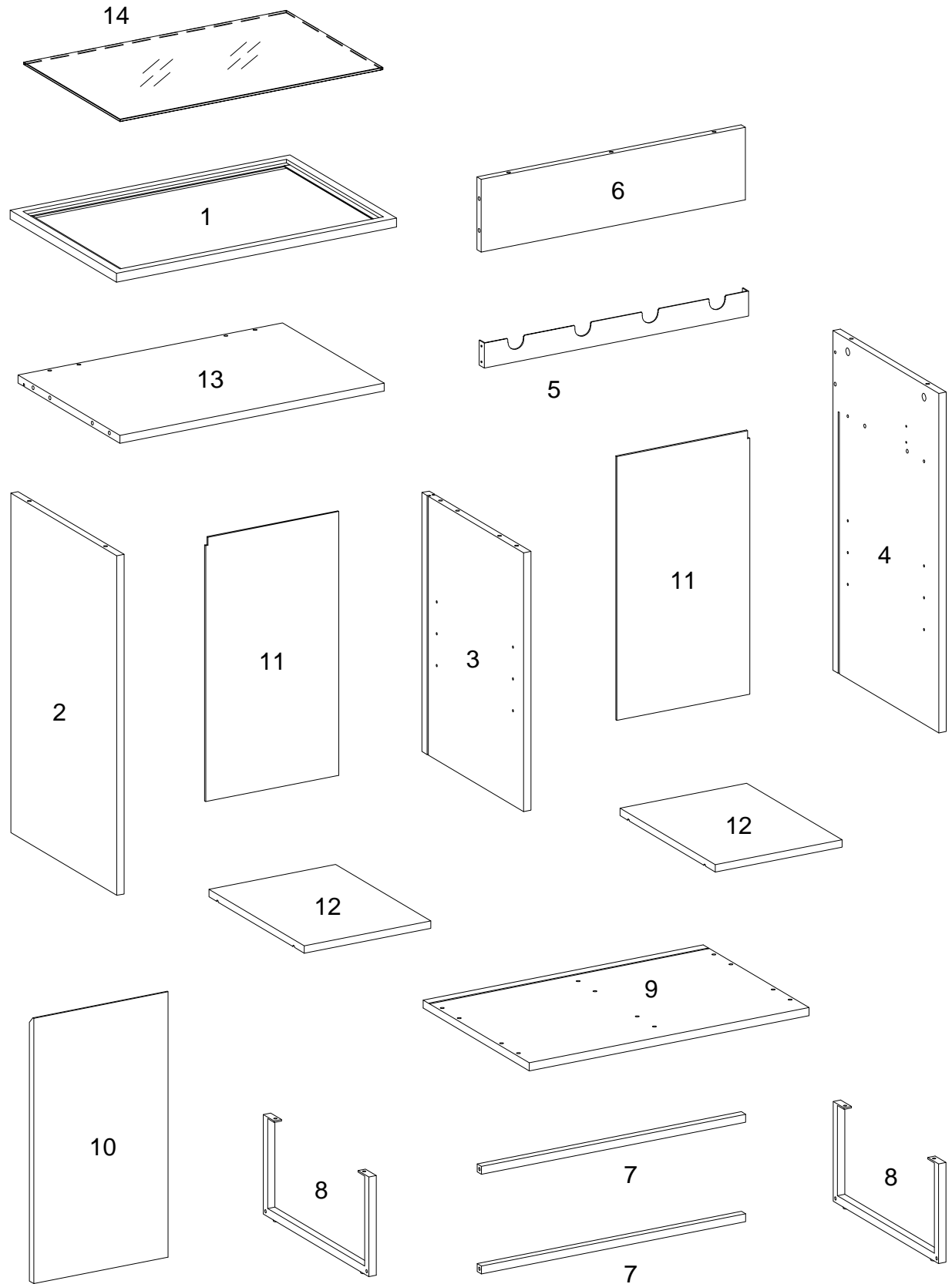


In-and-Out
by loosening the hinge-arm
mounting screw or via cam
adjustment






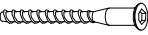



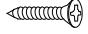
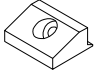

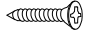




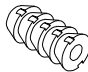




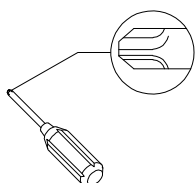
Vertical
Via slots in the mounting
plate or via cam adjustment

Parts List



Hardware List

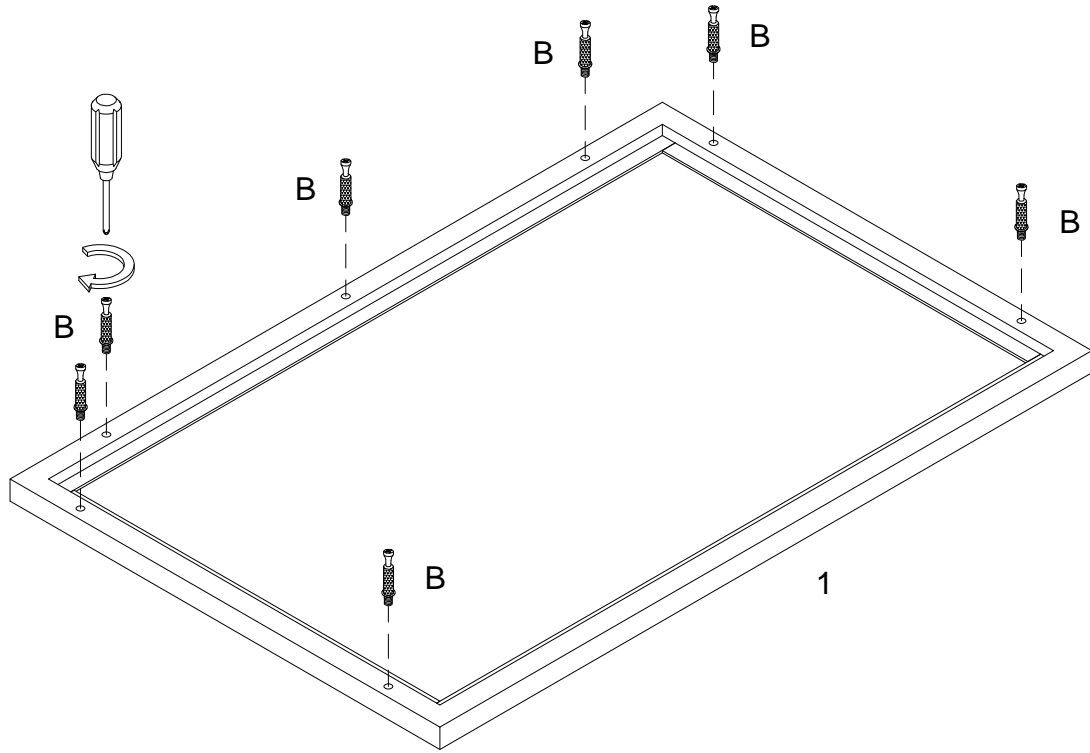
A		Ø8x30mm	Wooden dowel	16	pcs
B		Ø6x32mm	Cam bolt	7	pcs
C		Ø6x35mm	Cam bolt	8	pcs
D		Ø15x11mm	Cam lock	15	pcs
E		Ø30mm	Sticker	15	pcs
F		Ø6x50mm	Screw	8	pcs
G		Ø6x12mm	Bolt	4	pcs
H		Ø6x25mm	Bolt	4	pcs
J		M 4	Hex key	1	pc
K		Ø3x17mm	Screw	8	pcs
L			Plastic wedge	8	pcs
M			Europe hinge	2	pcs
N		Ø3.5x14mm	Screw	12	pcs
P			Shelf support pin	8	pcs
Q		Ø4x12mm	Screw	6	pcs
R		Ø4x25mm	Screw	2	pcs
S			Plastic strap	2	pcs
T			Nut	2	pcs
U			Glass pad	4	pcs
V			Glue tube	1	pc



Philips head screwdriver required for assembly
(not included)

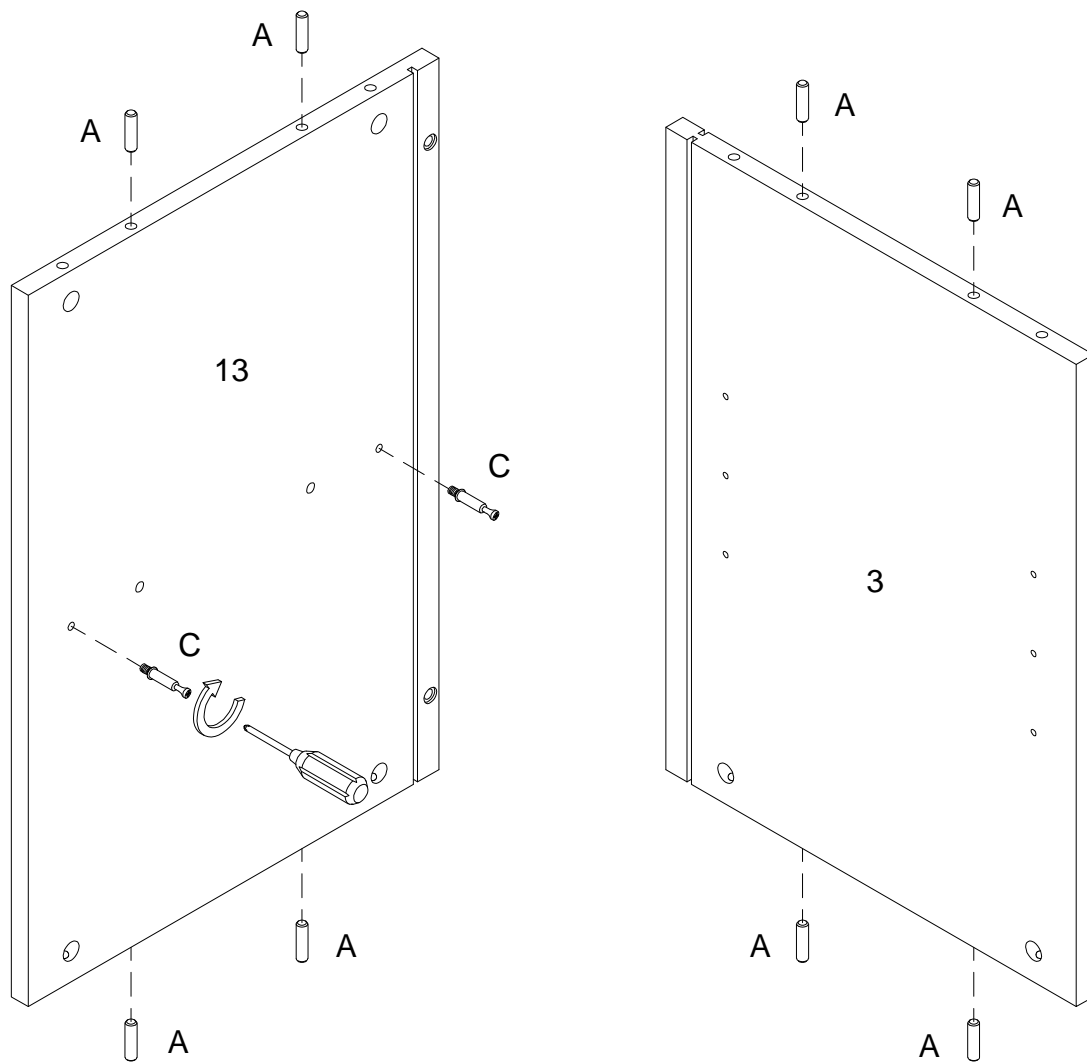
*The hardware quantities listed above are required for proper assembly.
Some extra hardware may also have been included.*

Step 1



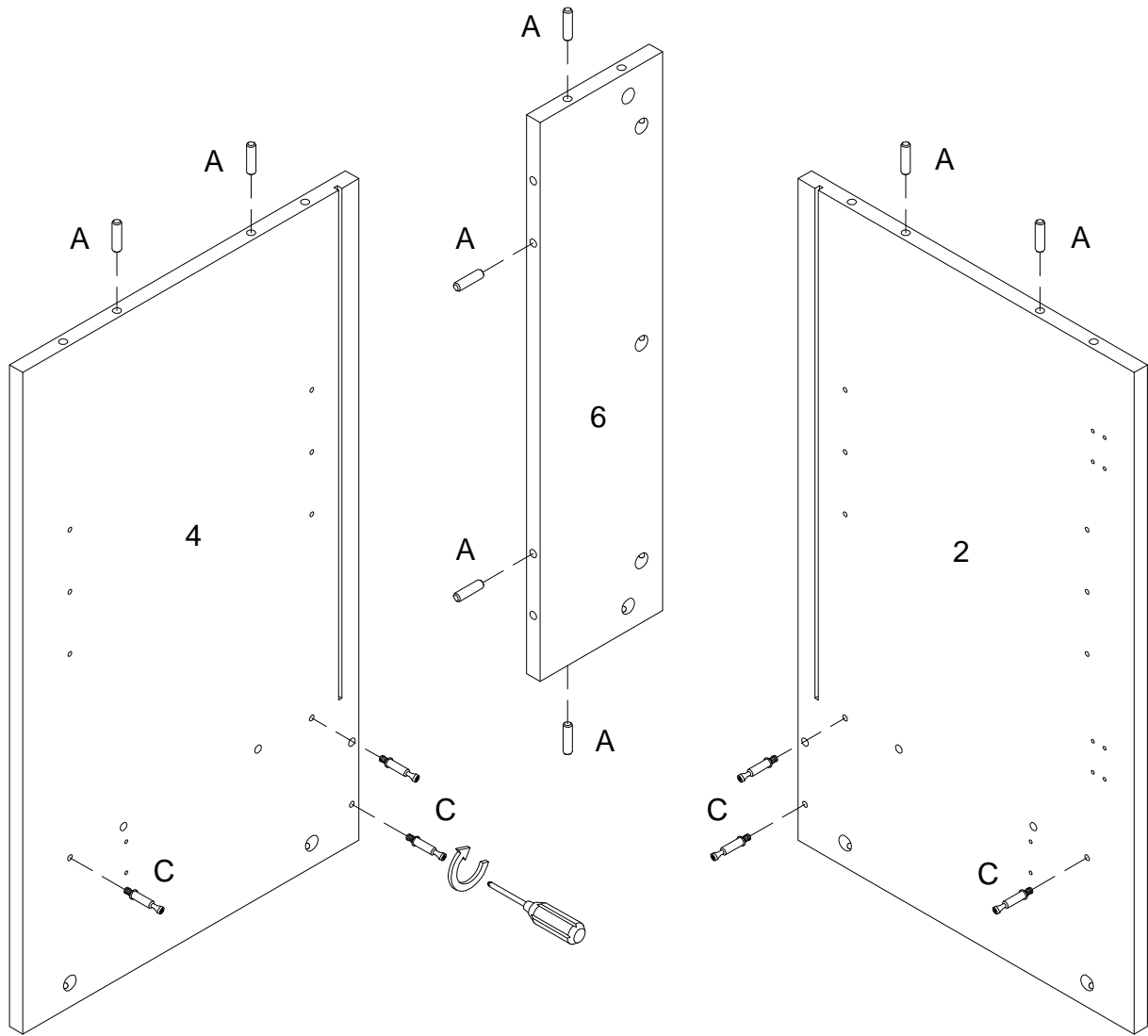
Secure cam bolt (B) into part (1) with Philips head screwdriver as per diagram.

Step 2



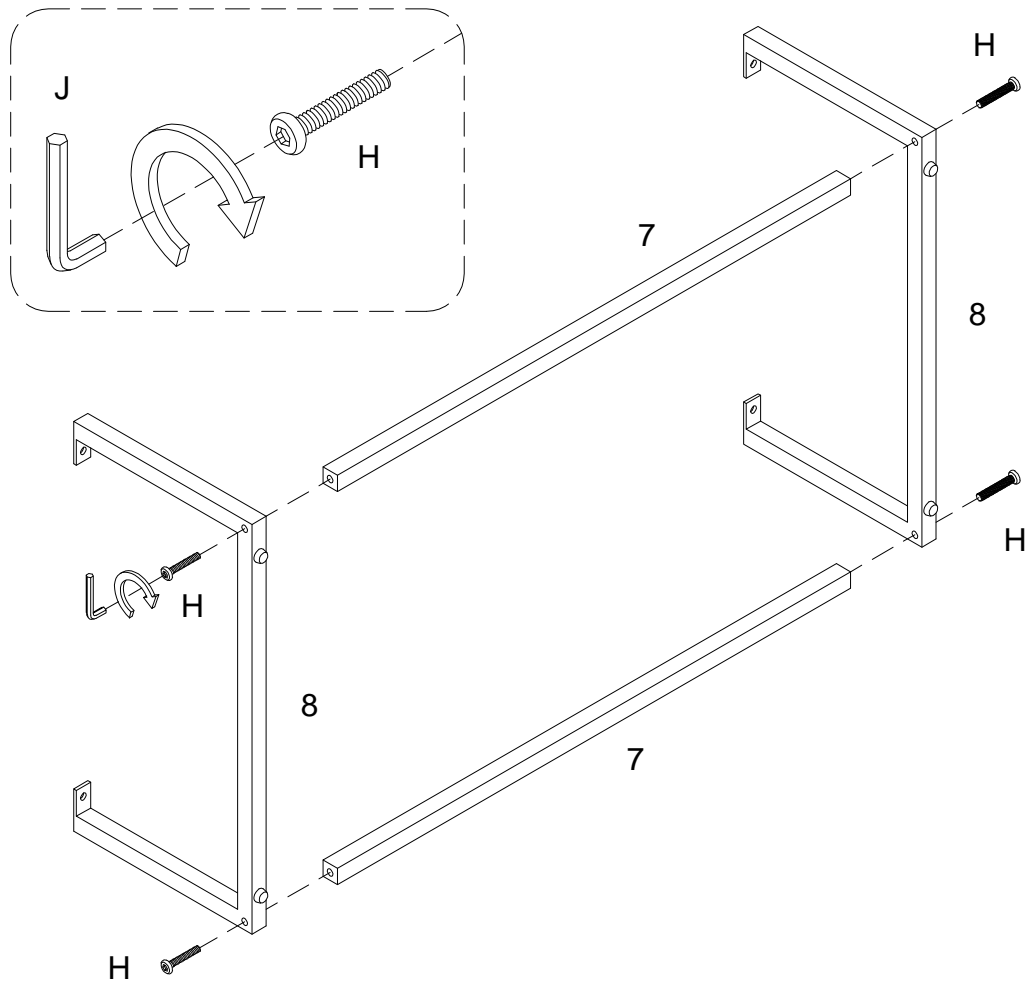
Insert wooden dowel (A) into parts (3,13), then secure cam bolt (C) into part (13) with Philips head screwdriver as per diagram.

Step 3



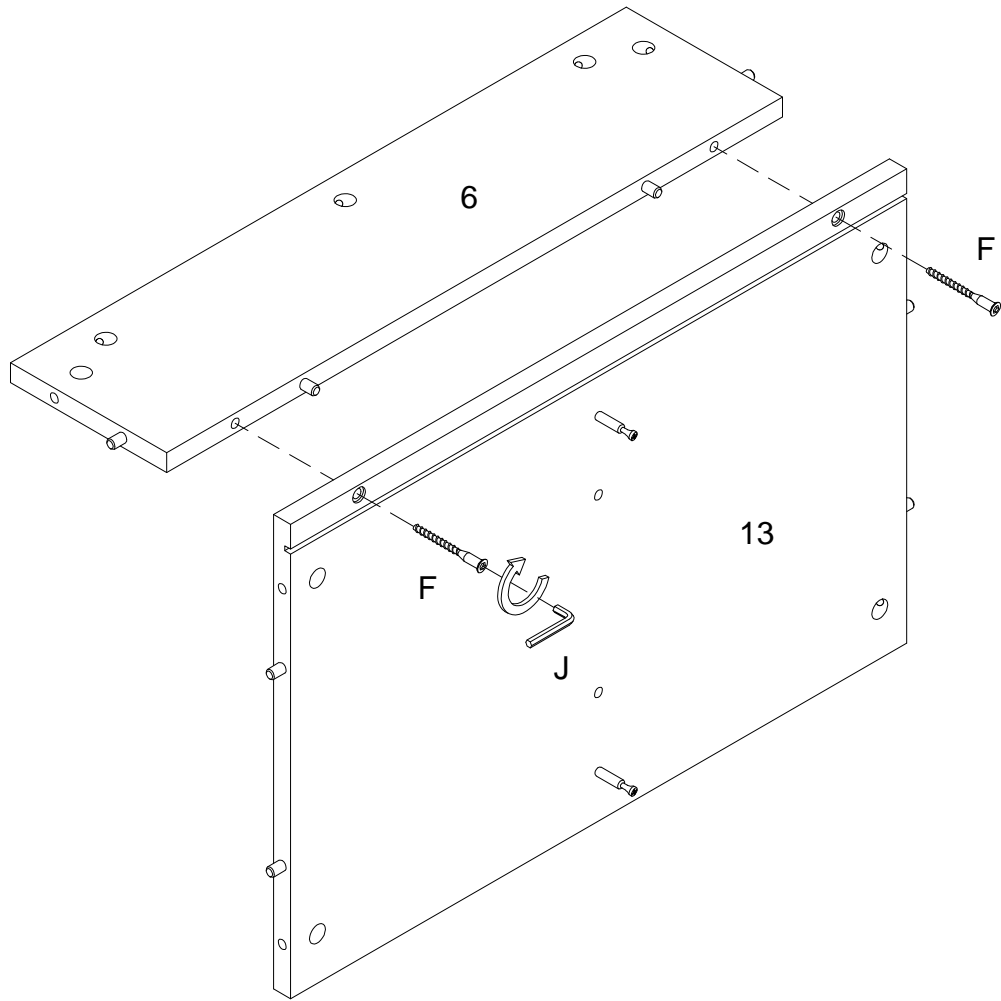
Insert wooden dowel (A) into parts (2,4,6), then secure cam bolt (C) into parts (2,4) with Philips head screwdriver as per diagram.

Step 4



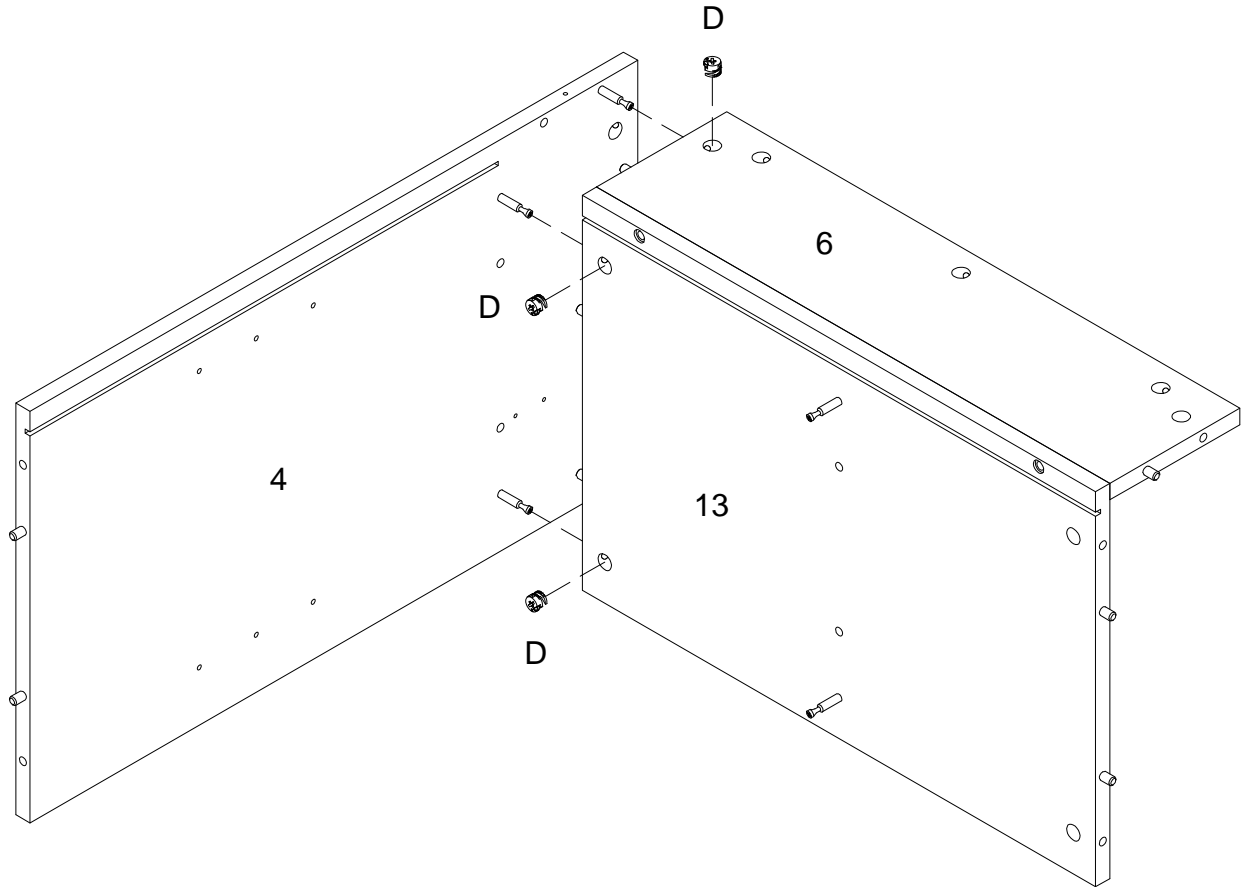
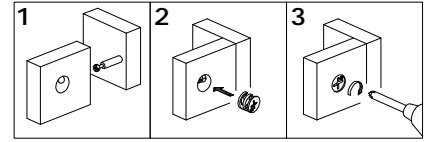
Using bolt (H) attach part (8) into part (7) with hex key (J) as per diagram.

Step 5



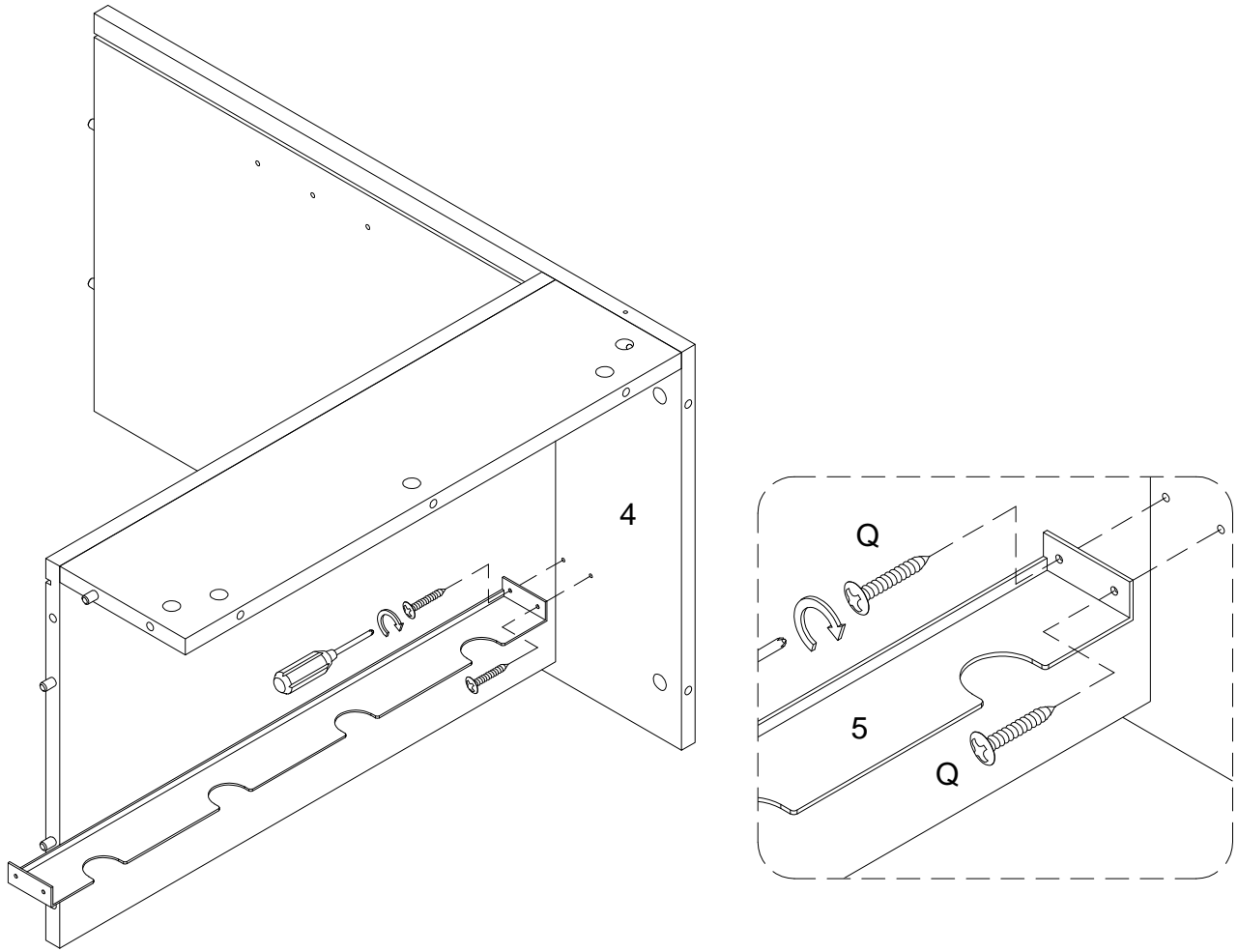
Using bolt (F) attach part (13) into part (6) with hex key (J) as per diagram.

Step 6



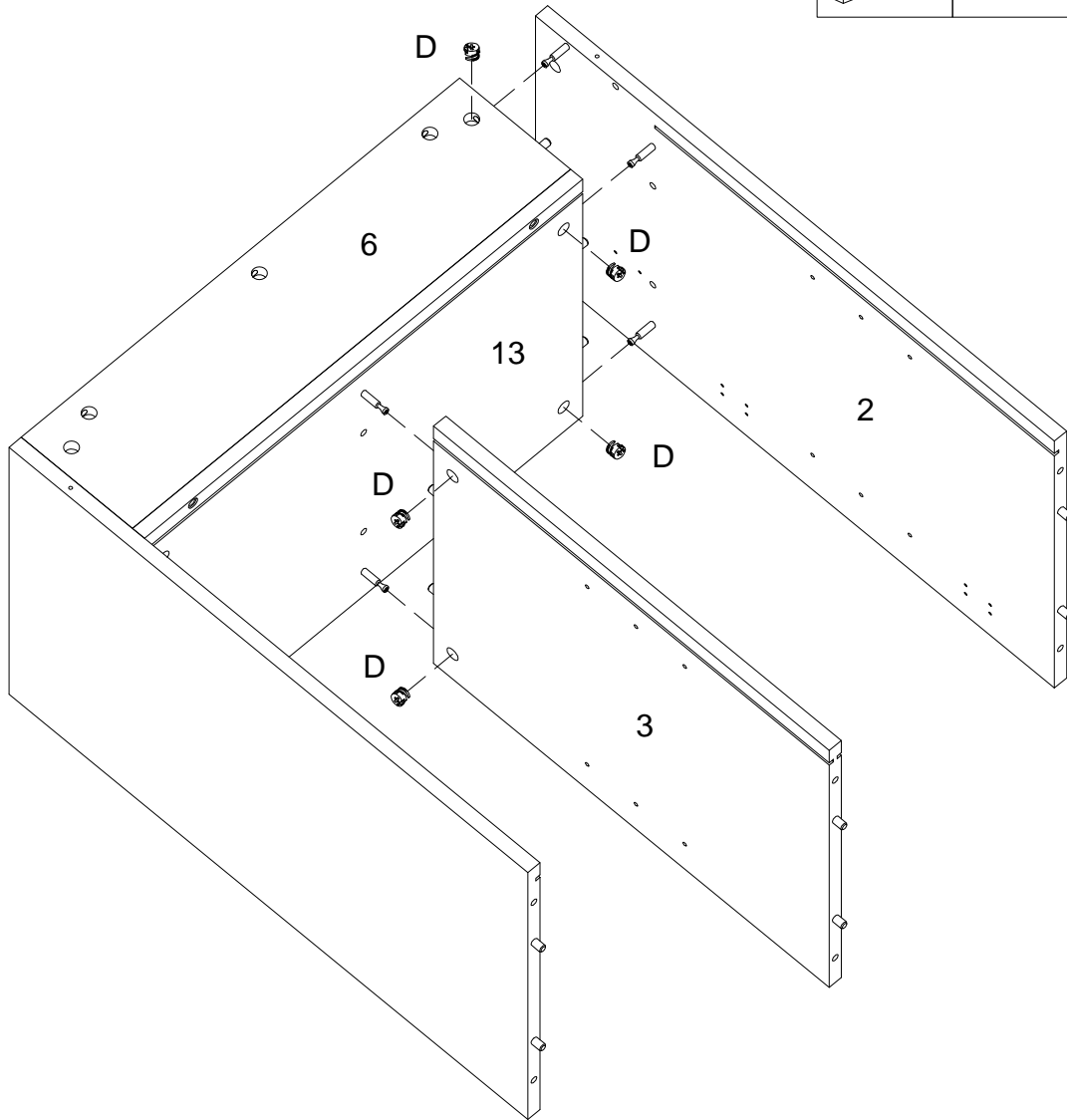
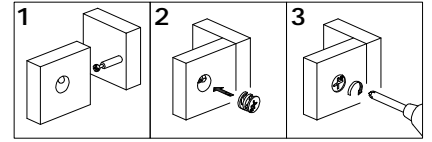
Using cam lock(D) secure parts (6,13) to part (4) with Philips head screwdriver as per diagram.

Step 7



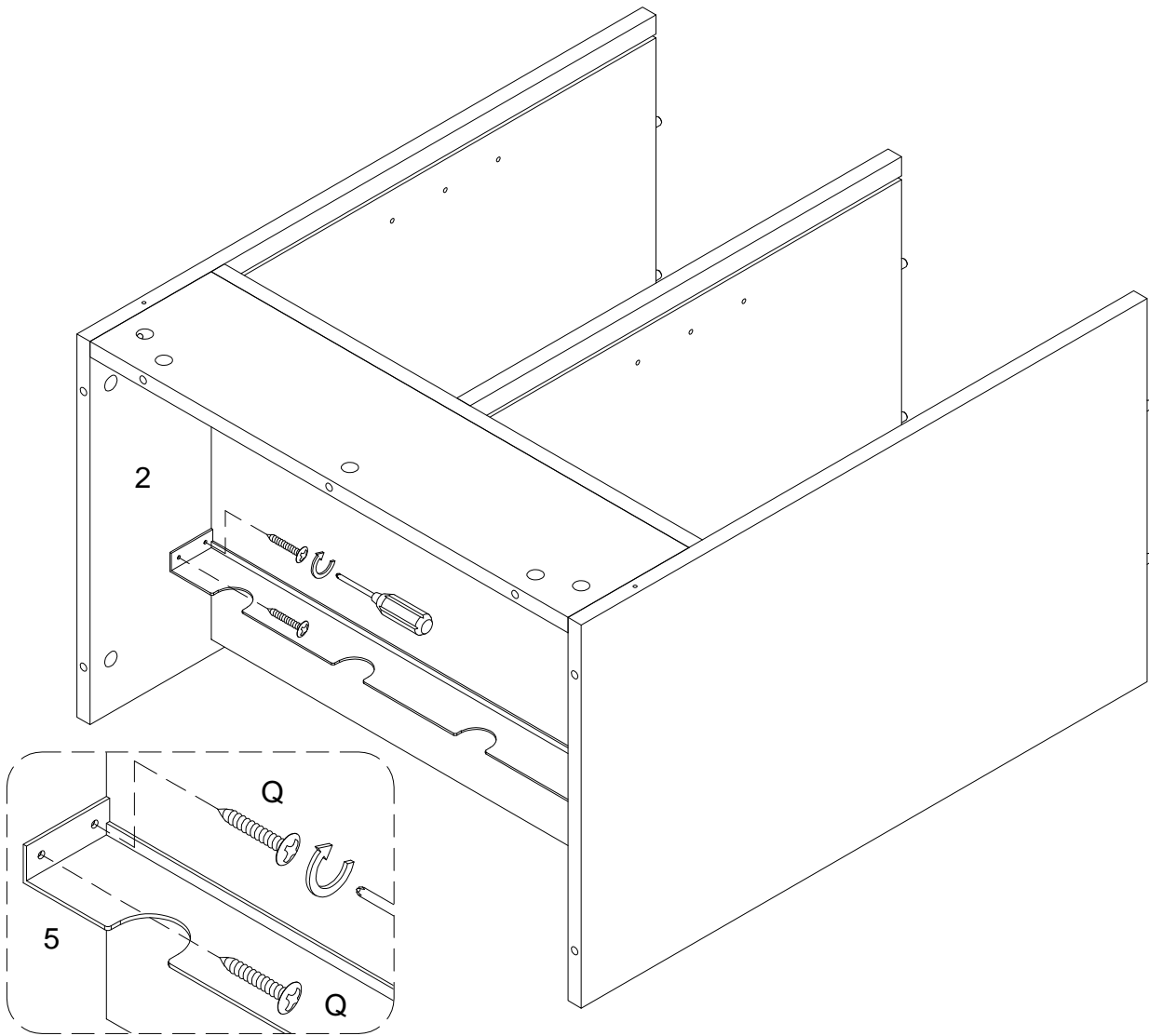
Using screw (Q) secure part (5) to part (4) with Philips head screwdriver as per diagram.

Step 8



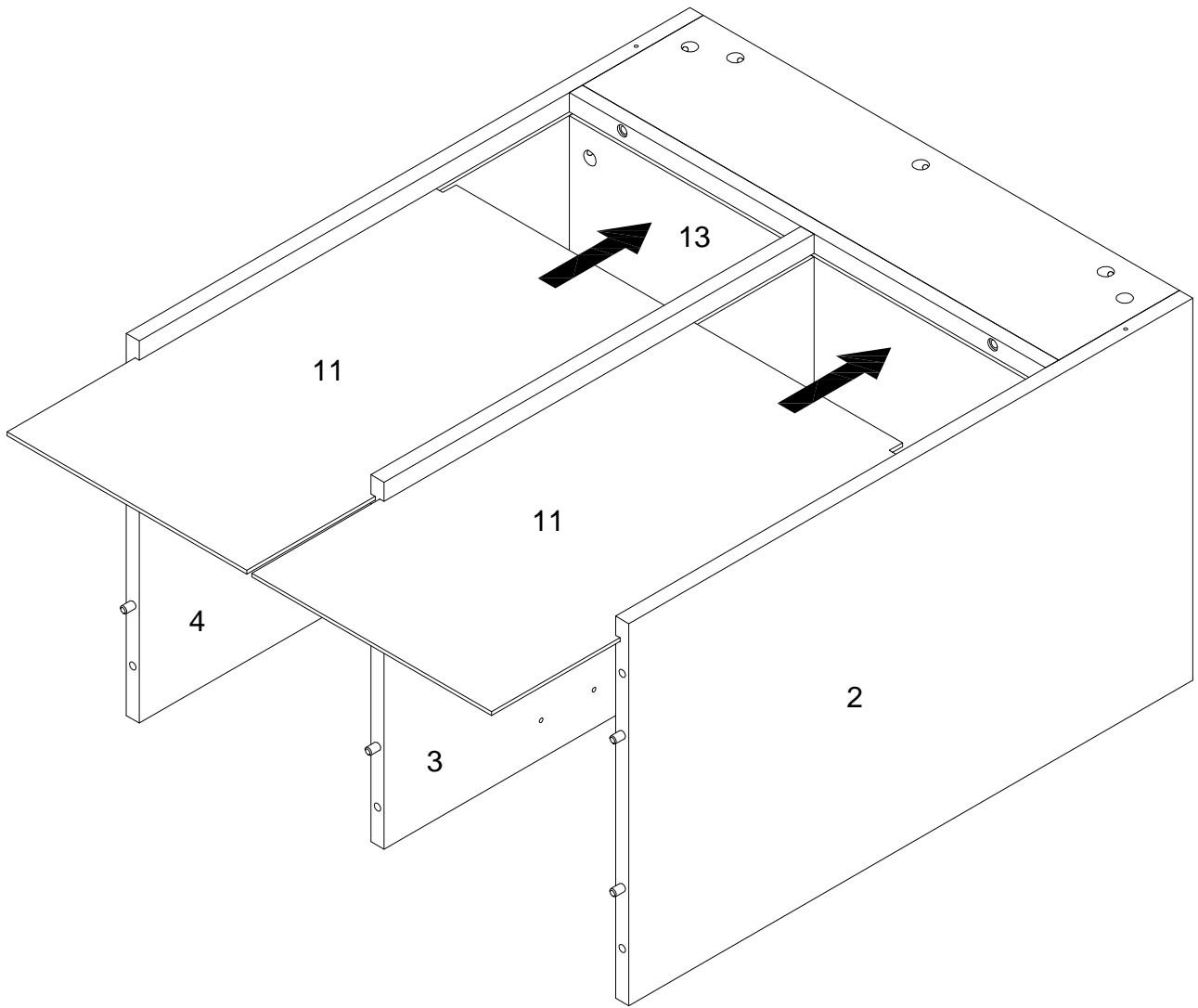
Using cam lock (D) secure parts (2,3)to part (13) ,part (2) to part (6) with Philips head screwdriver as per diagram.

Step 9



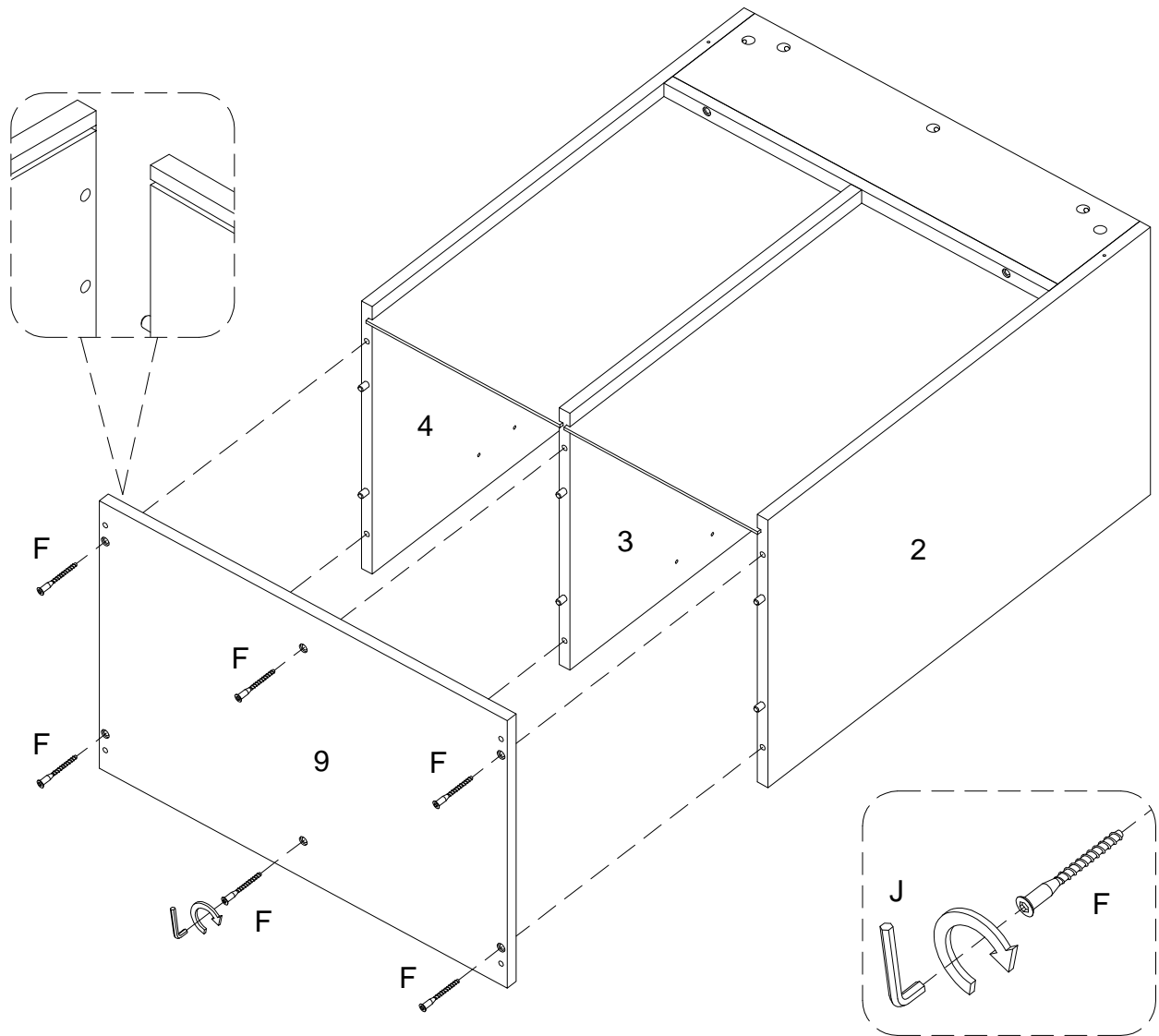
Using screw (Q) secure part (5) to part (2) with Philips head screwdriver as per diagram.

Step 10



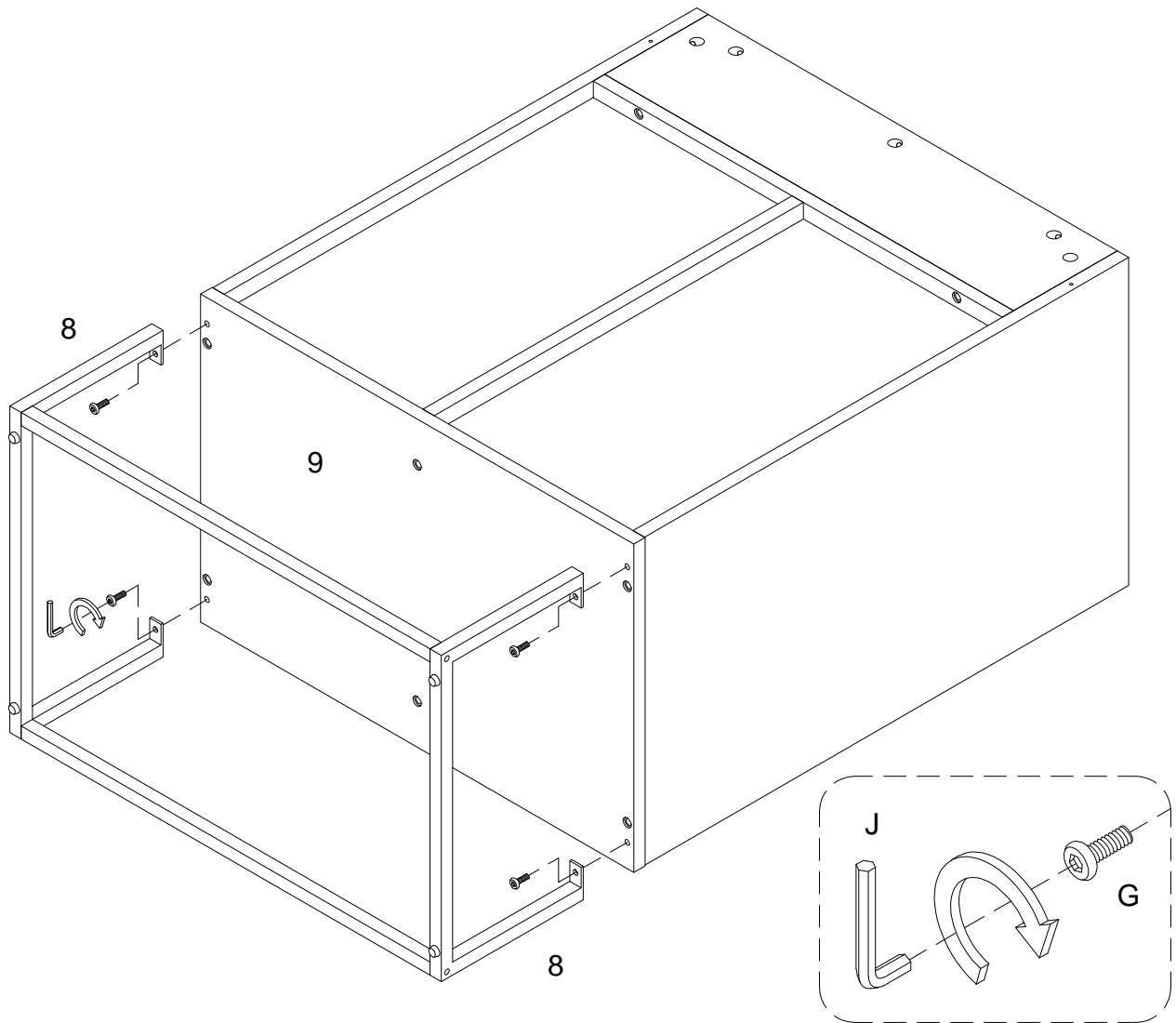
Put part (11) as per diagram.

Step 11



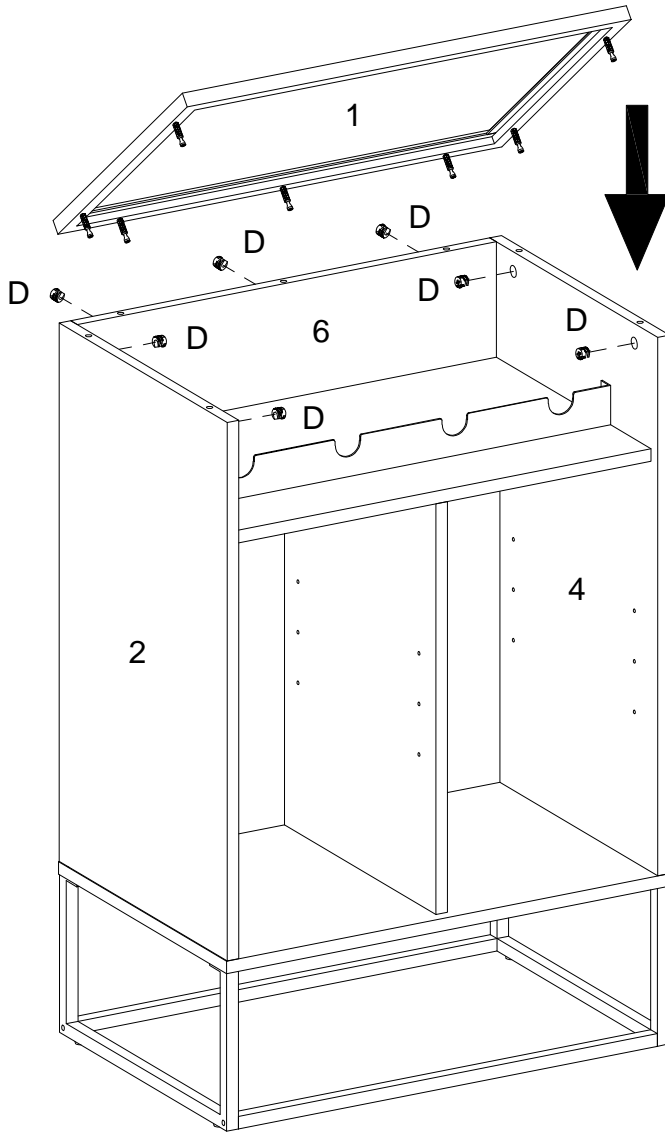
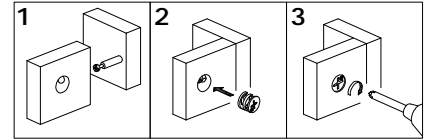
Using bolt (F) attach part (9) into parts (2,3,4) with hex key (J) as per diagram.

Step 12



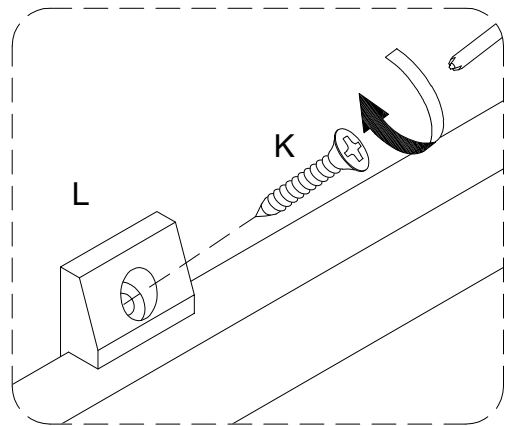
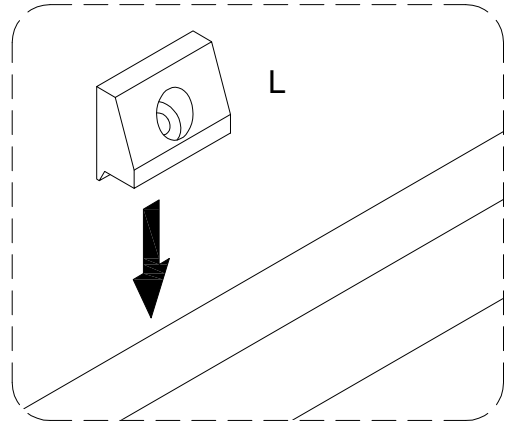
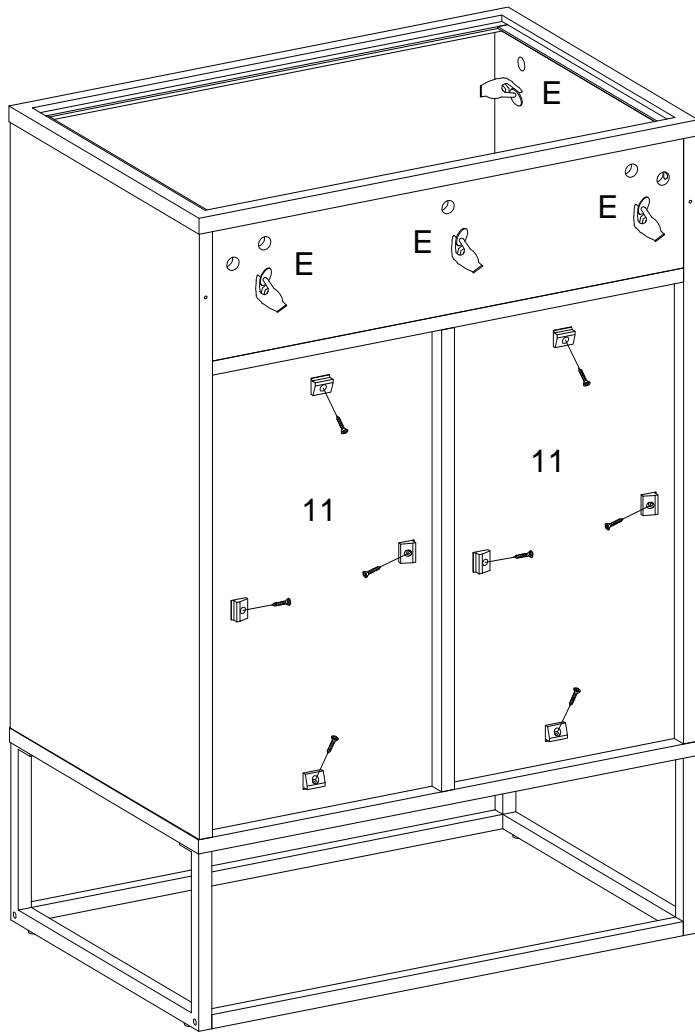
Using bolt (G) attach part (8) to part (9) with Hex key (J) as per diagram.

Step 13



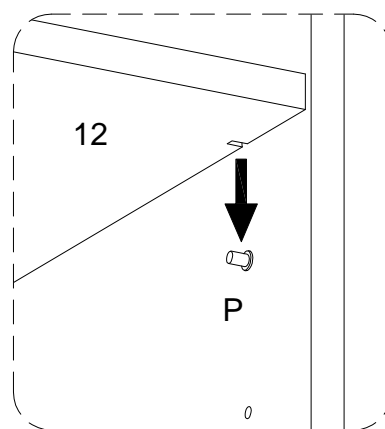
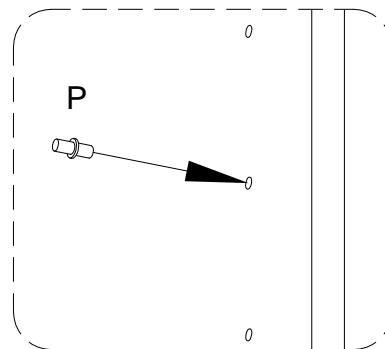
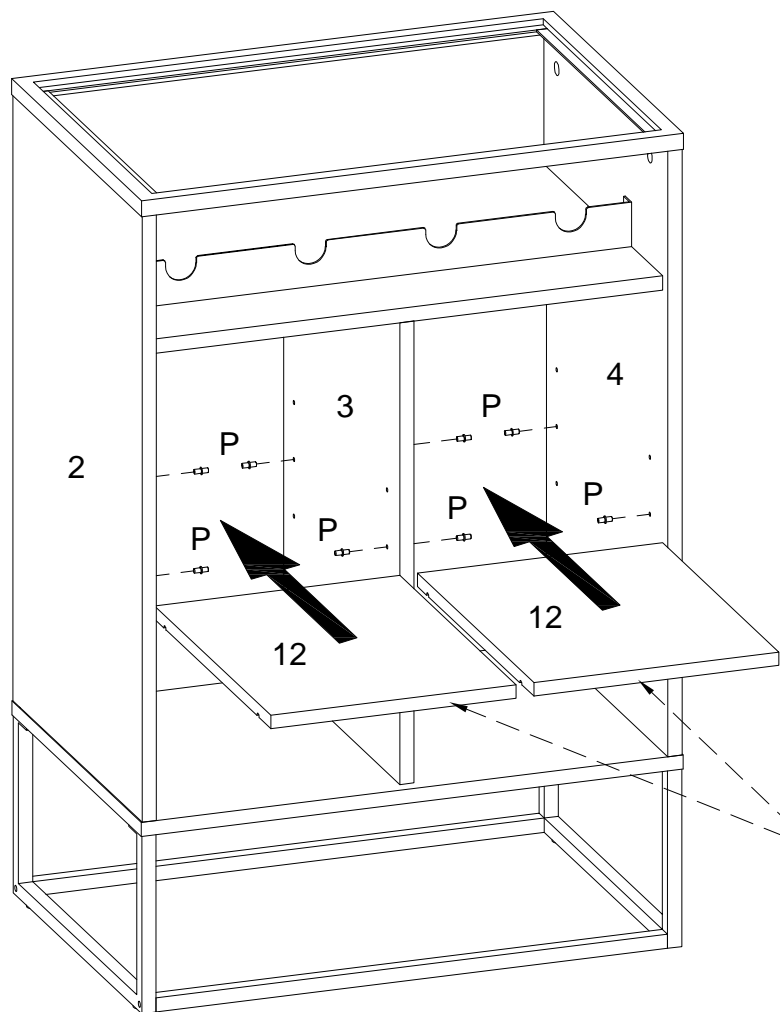
Using cam lock(D) secure part (1) to parts (2,4,6) with Philips head screwdriver as per diagram.

Step 14



Using screw (K) secure plastic wedge (L) with Philips head screwdriver , then place sticker (E) cover the holes as per diagram.

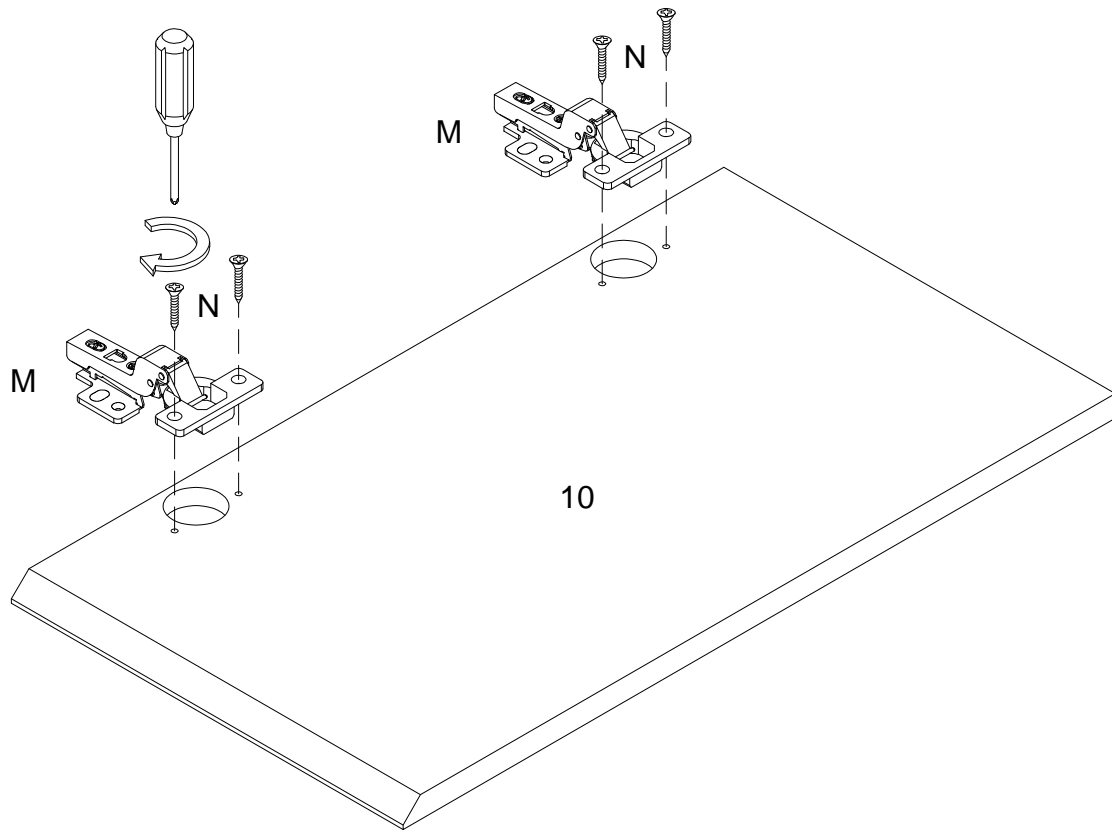
Step 15



Finished edge

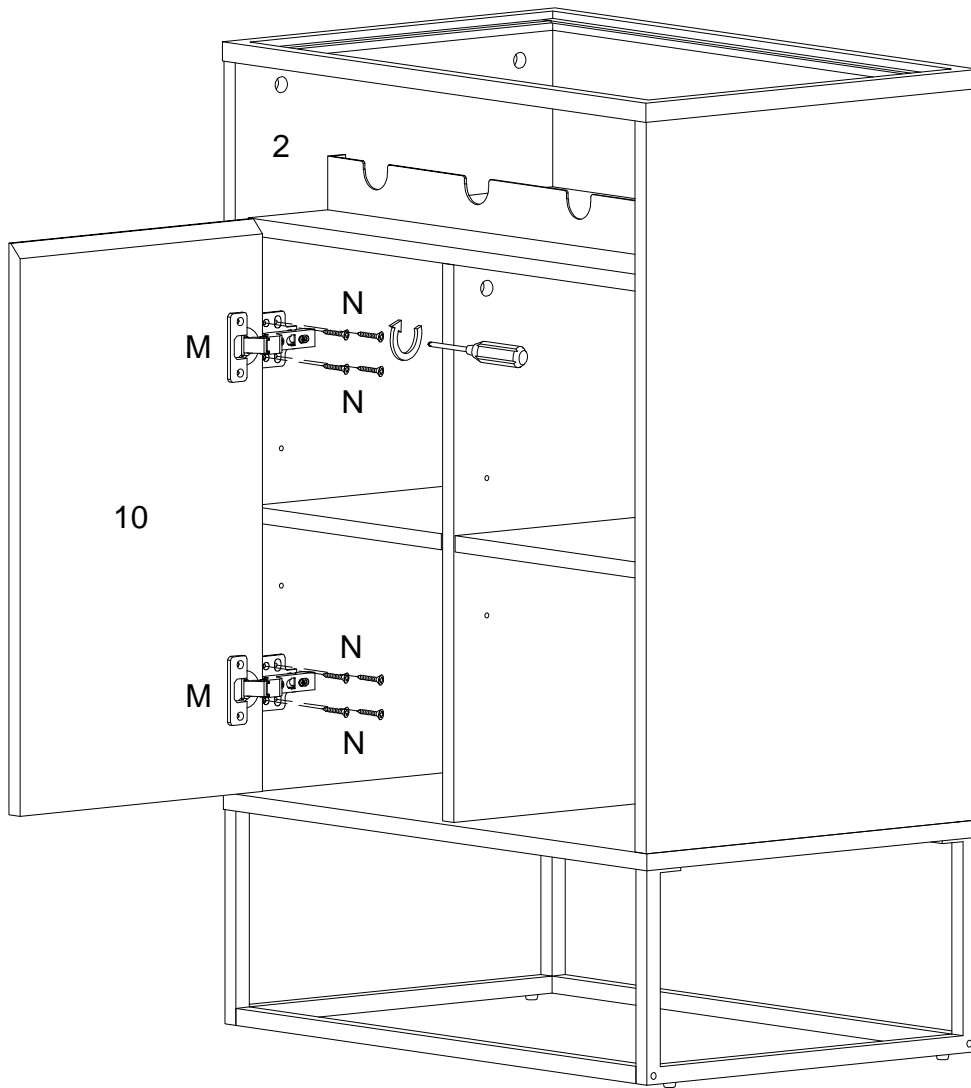
Insert shelf support pin (P) into parts (2,3,4) as per diagram. Make sure you place the four shelf support pins (P) in the same level. So the shelf is not titled .Put part (12) into unit as per diagram. Tilt and rest the adjustable shelf(12) onto the shelf support pins .

Step 16



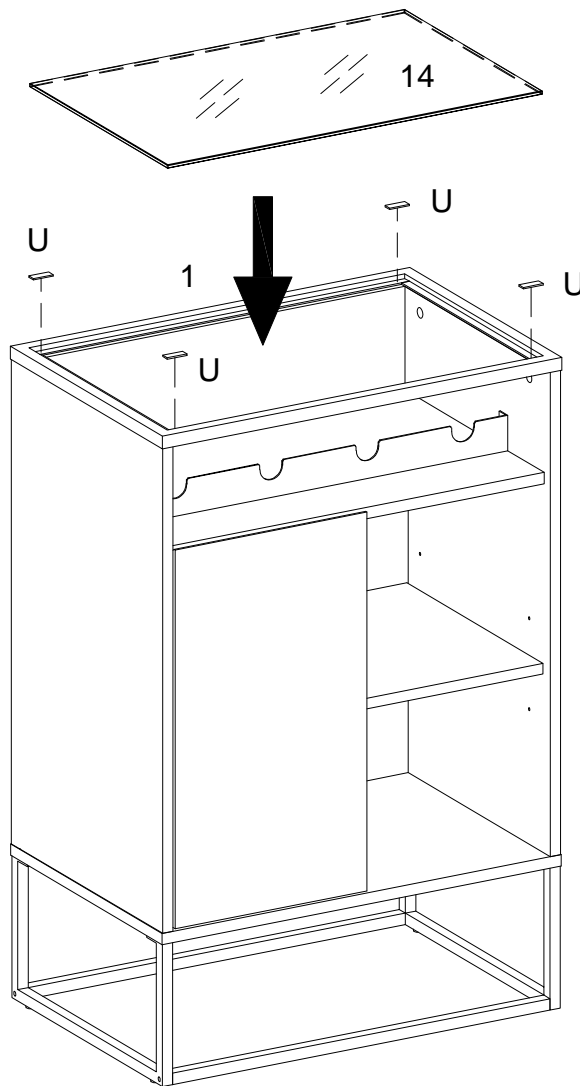
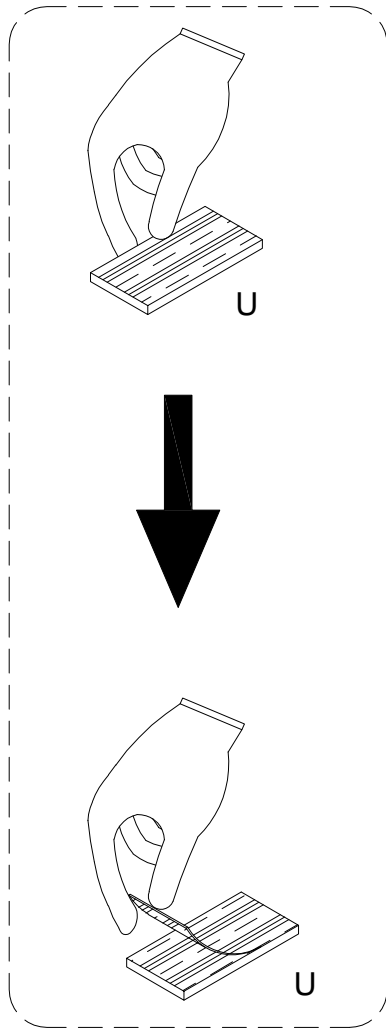
Using screw (N) attach Europe hinge (M) into part (10) with Philips head screwdriver as per diagram.

Step 17



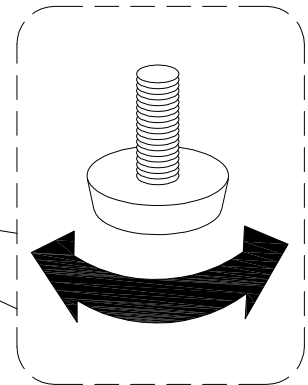
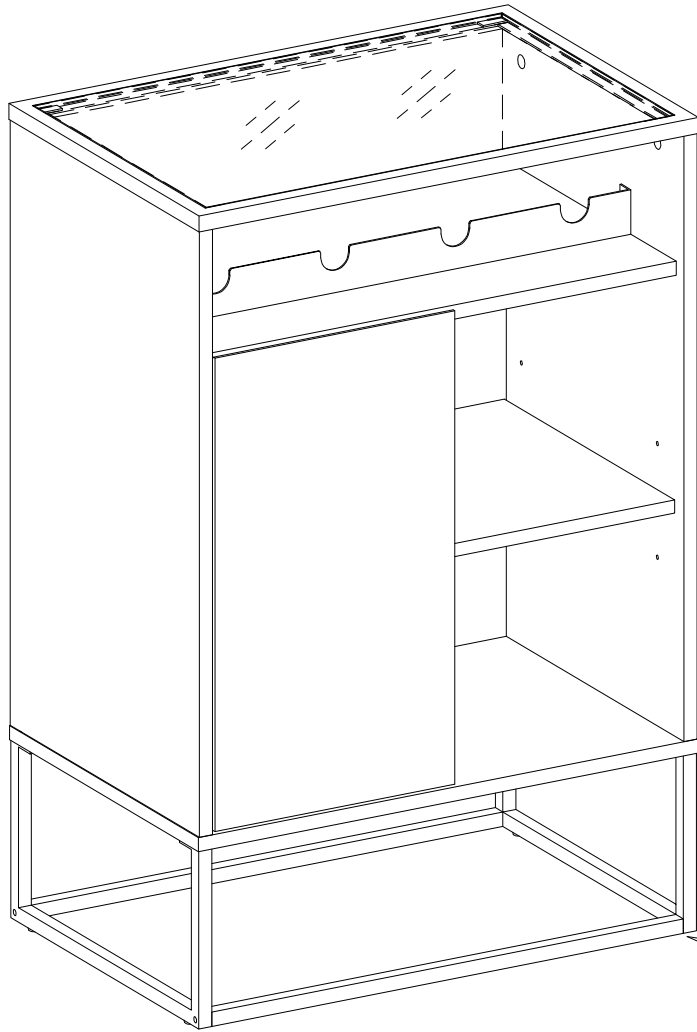
Using screw (N) attach Europe Hinge (M) into part (2) with Philips head screwdriver as per diagram.

Step 18



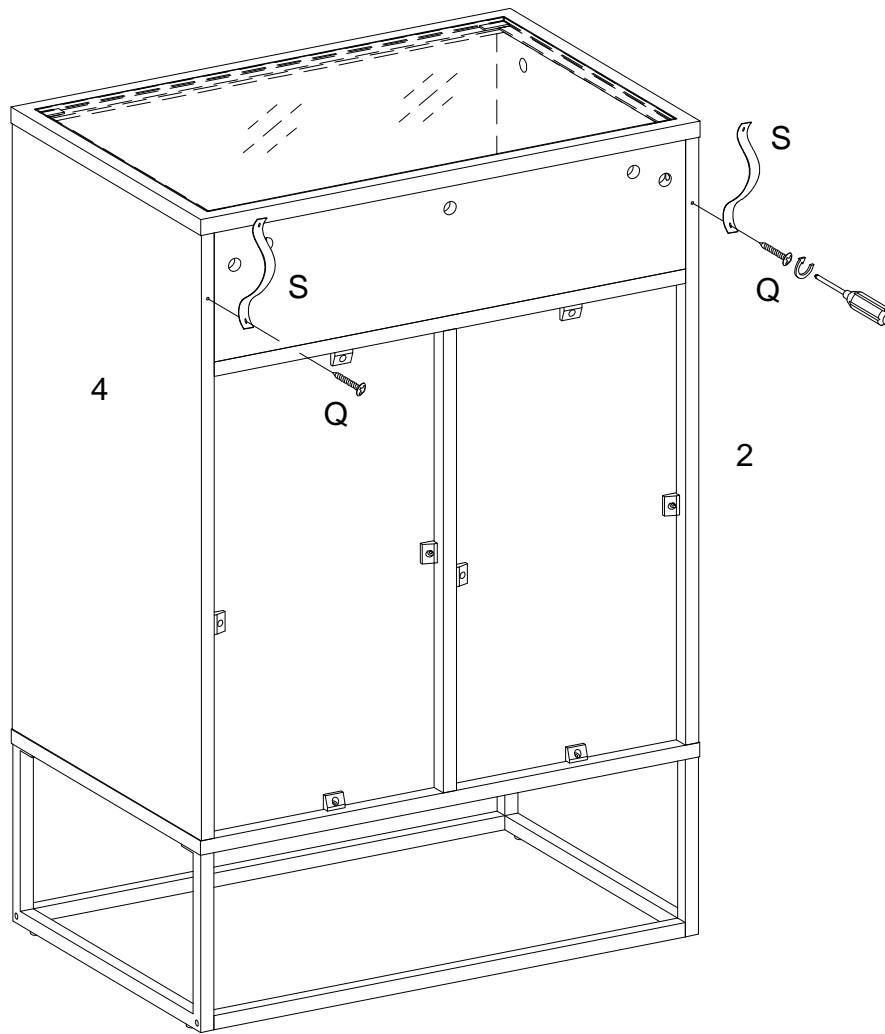
Put and tear off glass pad (U) to part (1), then put glass (14) to part (1) carefully as per diagram.

Step 19



If necessary, adjust the pre-attached Floor Levelers at the bottom of metal legs to level the unit.

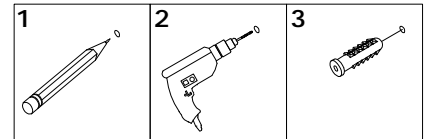
Step 20



Using screw (Q) attach plastic strap (S) to parts (2,4) with Philips head screwdriver as per diagram.

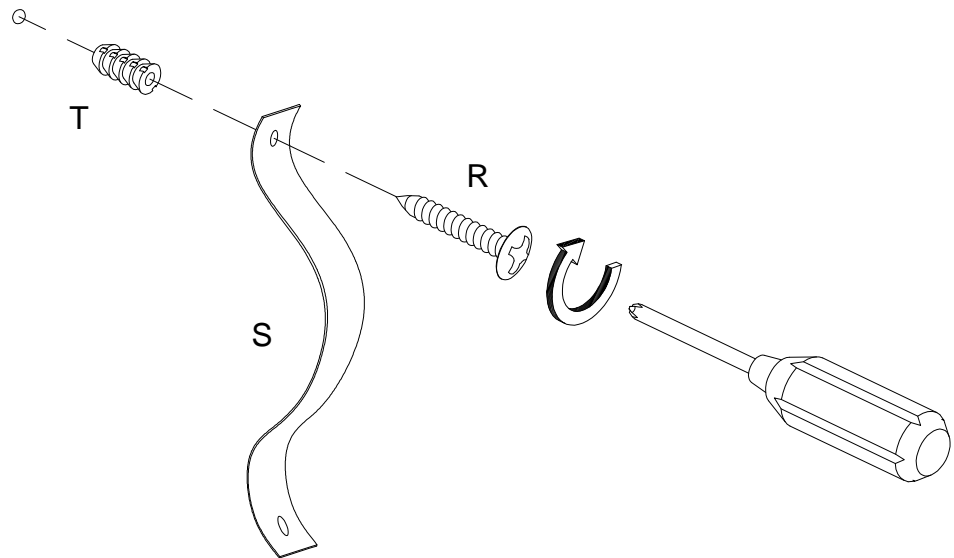
Step 21

WARNING



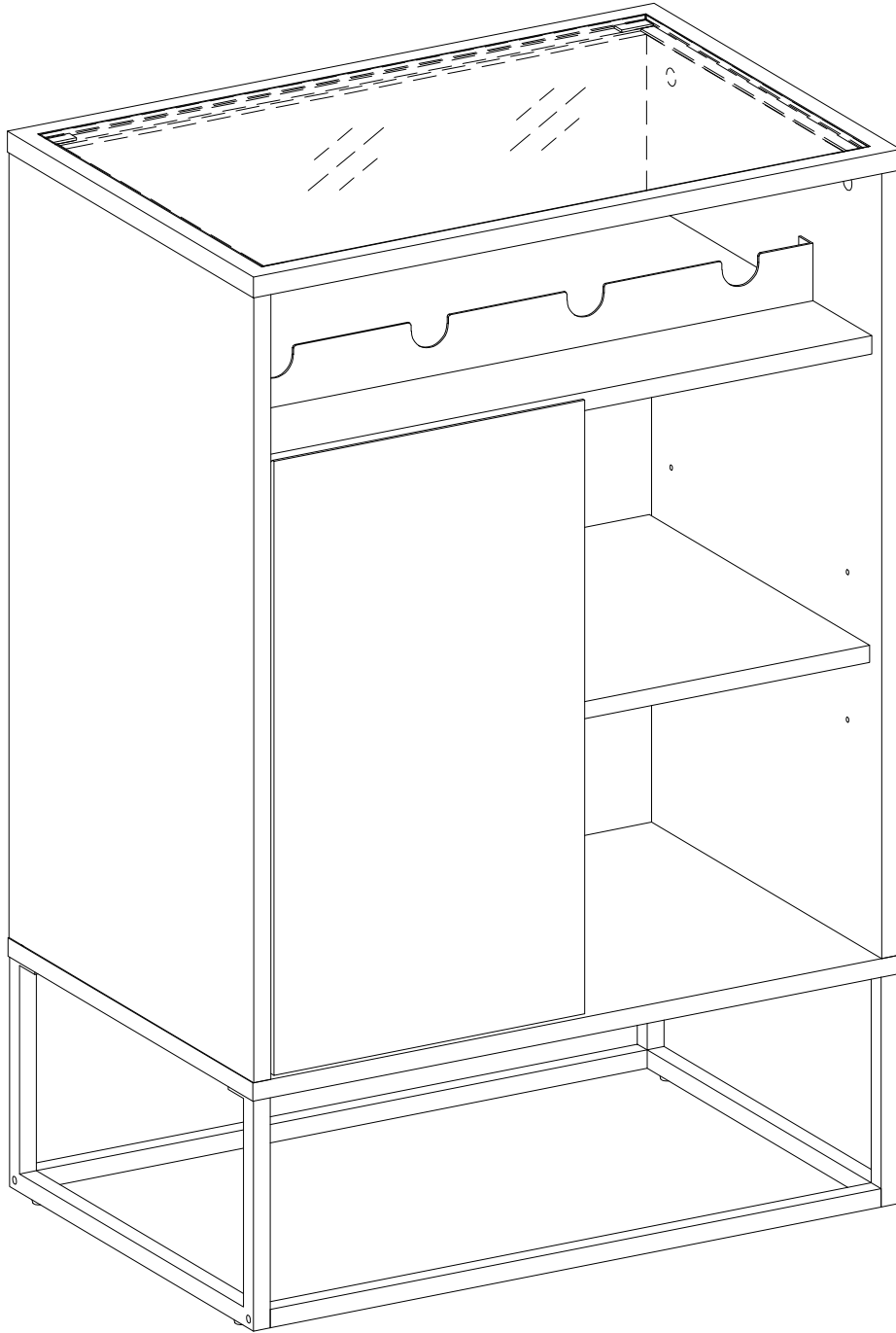
Serious or fatal injuries can occur from furniture tipping over. To prevent the furniture from tipping over we recommend that it is permanently fixed to the wall. Wall anchor and hardware are included with this product. Please make sure hardware is suitable for your walls before installing, as different wall materials may require different types of anchors.

Wall



Using screw (R) attach plastic strap (S) into Nut (T) to wall with Philips head screwdriver as per diagram.

Step 22



Final Assembly