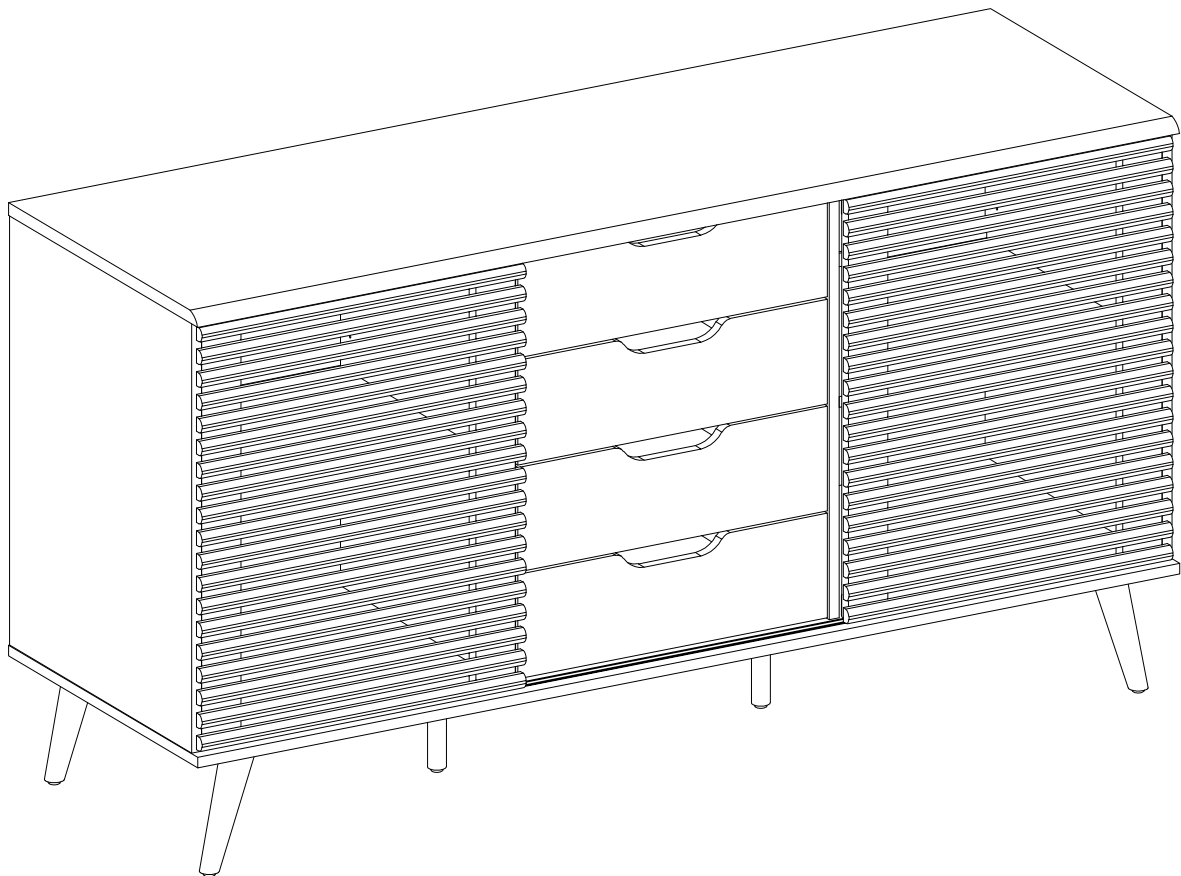


# Item # : BU59HAV4DR

## Assembly Instructions



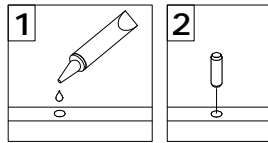
Walker Edison®

Please visit our website for the most current instructions, assembly tips, report damage, or request parts. [www.walkeredison.com](http://www.walkeredison.com)

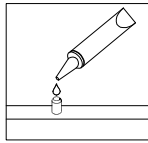
Revised 03/07/2020 (L)

# General Assembly Guidelines

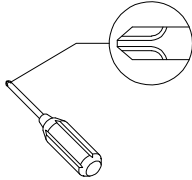
- I. Ensure that all parts and hardware are available before beginning assembly.
- II. Follow each step carefully to ensure the proper assembly of this product.
- III. Two people are recommended for ease in the assembly of this product.
- IV. The three main types of hardware used to assemble this product are : wood dowels , screws and bolts.
- V. The provided glue is to secure wood dowels in place . When first inserting dowels , locate the appropriate hole for the dowel , place a small amount of glue in the hole and insert the dowel . Wipe away excess glue immediately.



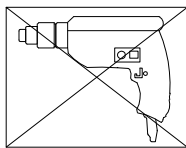
In future assembly steps when dowels are necessary to attach assembly parts together , place a small amount of glue on the end of the dowel before attaching parts together . Wipe away excess glue immediately.



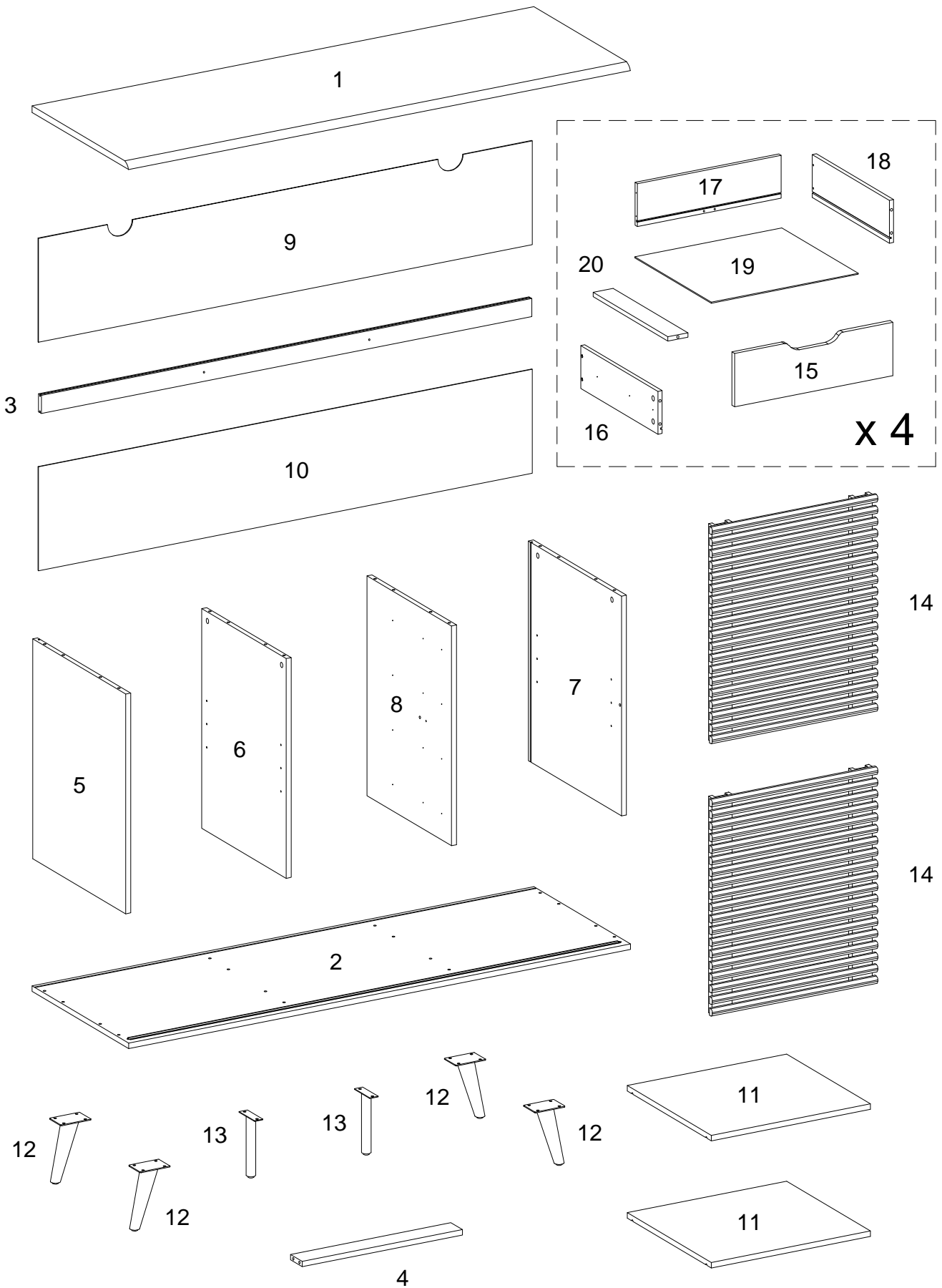
- VI. A Phillips head screwdriver is required for the assembly of this product .




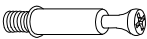



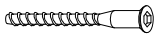

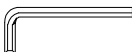

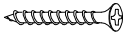



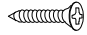
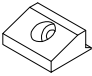



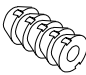



- VII. Power tools should not be used to assemble this product .



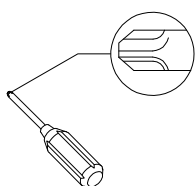
# Parts List



# Hardware List

A		Ø8x30mm	Wooden dowel	18	pcs
B		Ø6x35mm	Cam bolt	30	pcs
C		Ø15x11mm	Cam lock	10	pcs
D		Ø15x9mm	Cam lock	20	pcs
E		Ø30mm	Sticker	30	pcs
F		Ø6x50mm	Screw	8	pcs
G		Ø6x12mm	Bolt	20	pcs
H		M 4	Hex key	1	pc
J			Shelf support pin	8	pcs
K		Ø4x32mm	Screw	26	pcs
L			Bolt	4	pcs
M			Pulley	4	pcs
N			Pulley	4	pcs
P		Ø3x17mm	Screw	10	pcs
Q			Plastic wedge	10	pcs
R		Ø4x12mm	Screw	2	pcs
S		Ø4x25mm	Screw	2	pcs
T			Plastic strap	2	pcs
U			Nut	2	pcs
V			Glue tube	1	pc
W		Ø3x12mm	Screw	80	pcs
Y			Drawer slider	4	sets

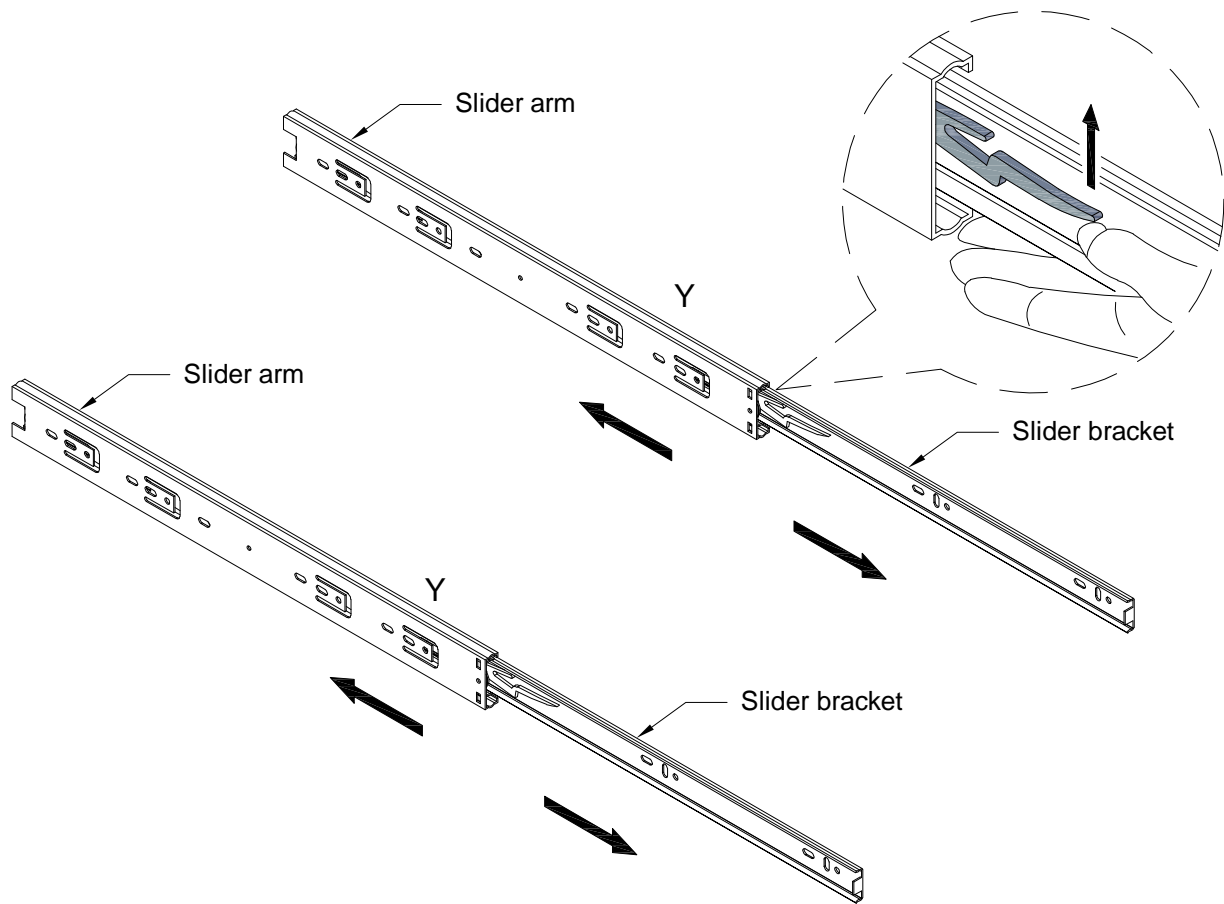
\* Note: This piece comes preassembled for shipping purposes and must be disassembled to complete the desk assembly.



**Philips head screwdriver required for assembly  
(not included)**

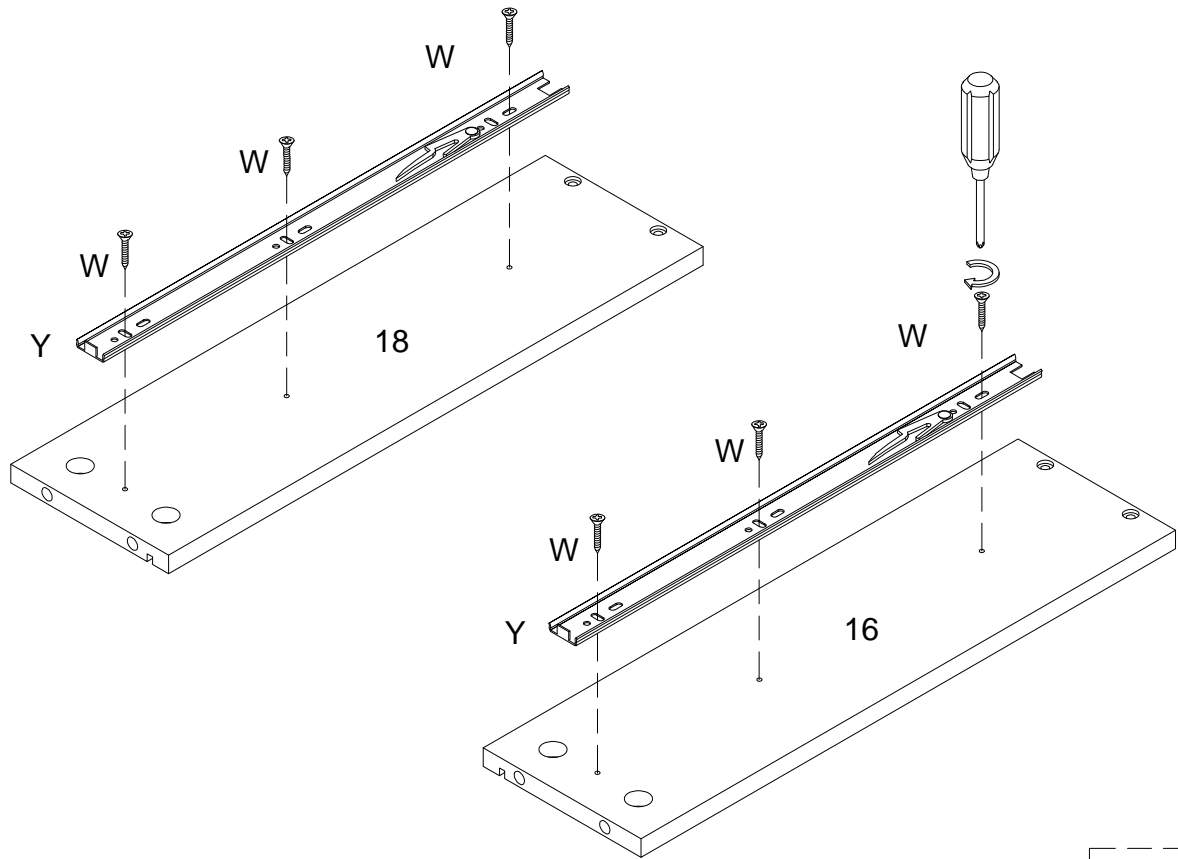
*The hardware quantities listed above are required for proper assembly.  
Some extra hardware may also have been included.*

# Step 1



Pick up the slider arm (Y) and separate the slide Runner for the following Steps. Extend the Slide Runner all the way forward, press the plastic release lever of the slider arm up and pull the Slide Runner Complete out .

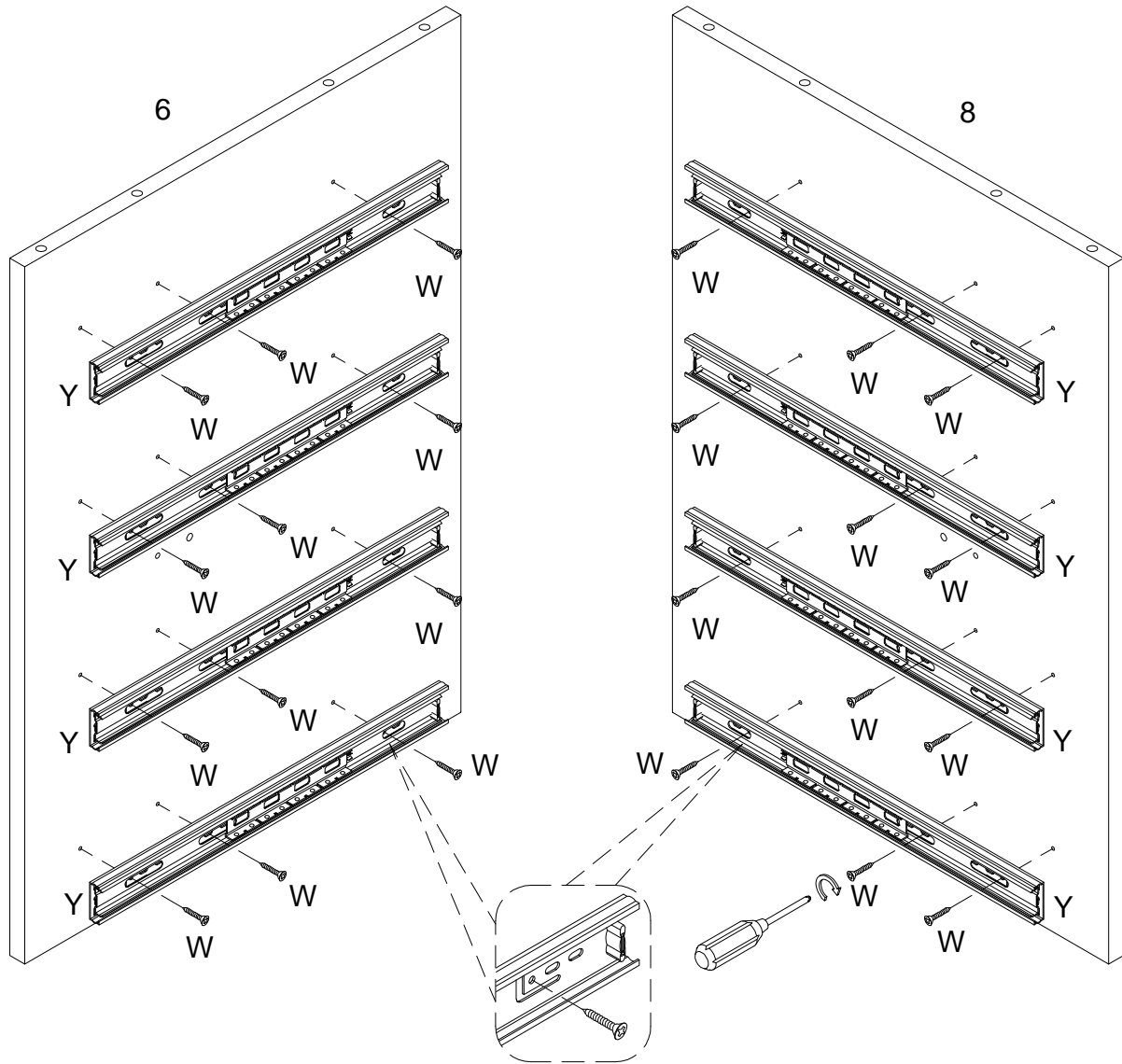
# Step 2



x 4

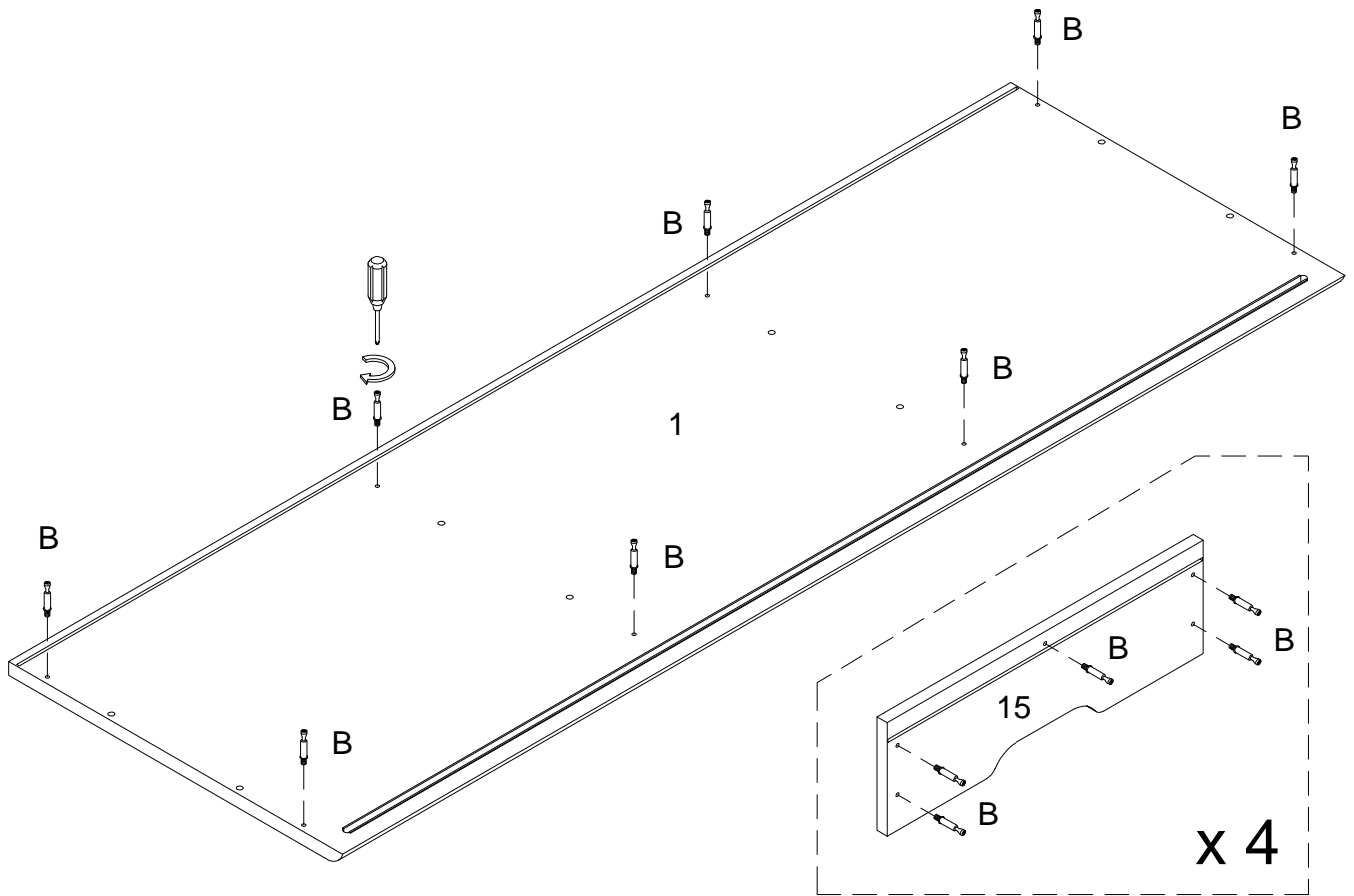
Using screw (W) attach drawer slider (Y) to parts (16,18) with Philips head screwdriver as per diagram.

# Step 3



Using screw (W) attach drawer slider (Y) to parts (6,8) with Philips head screwdriver as per diagram.

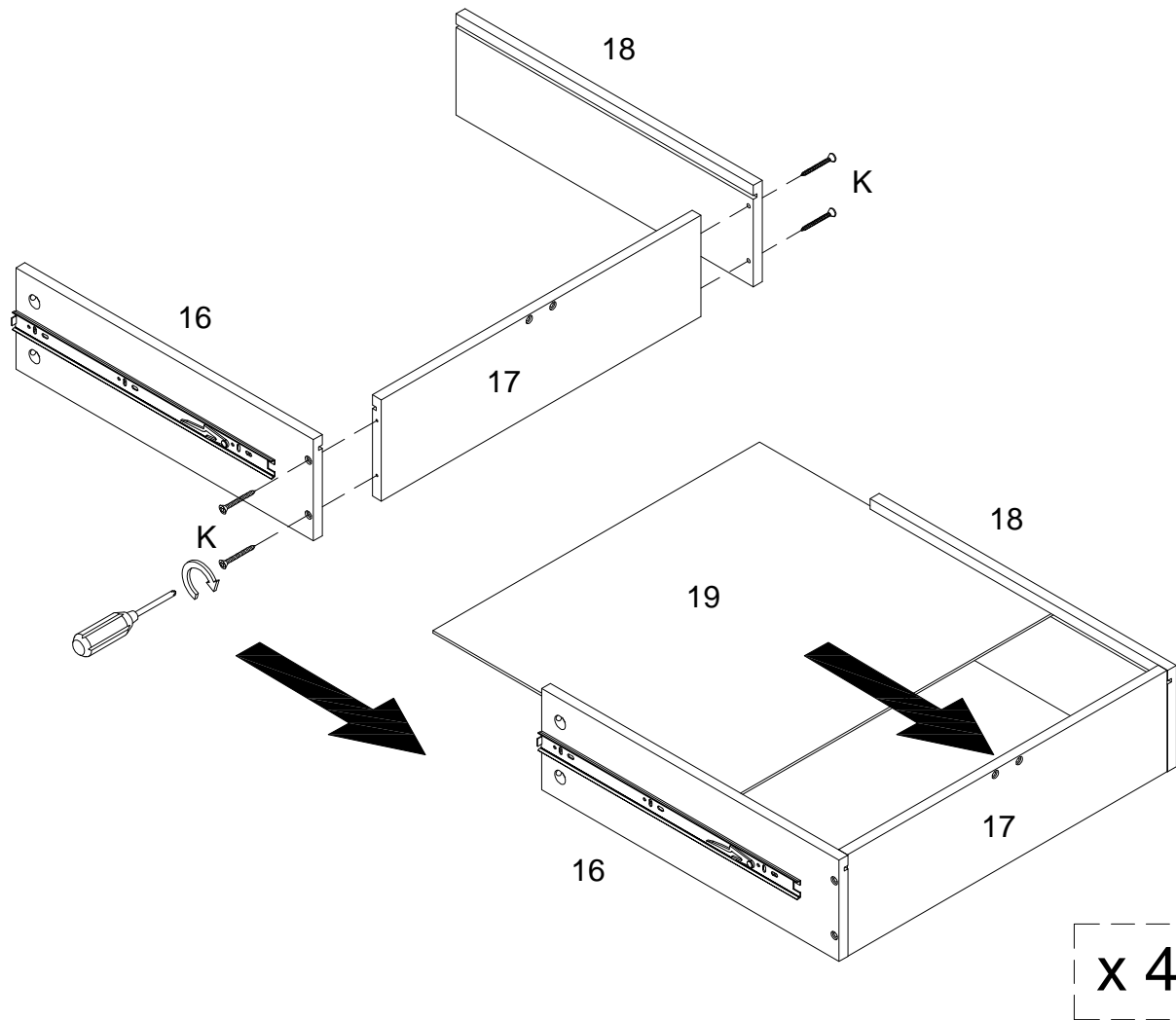
# Step 4



Secure cam bolt (B) into parts (1,15) with Philips head screwdriver as per diagram.

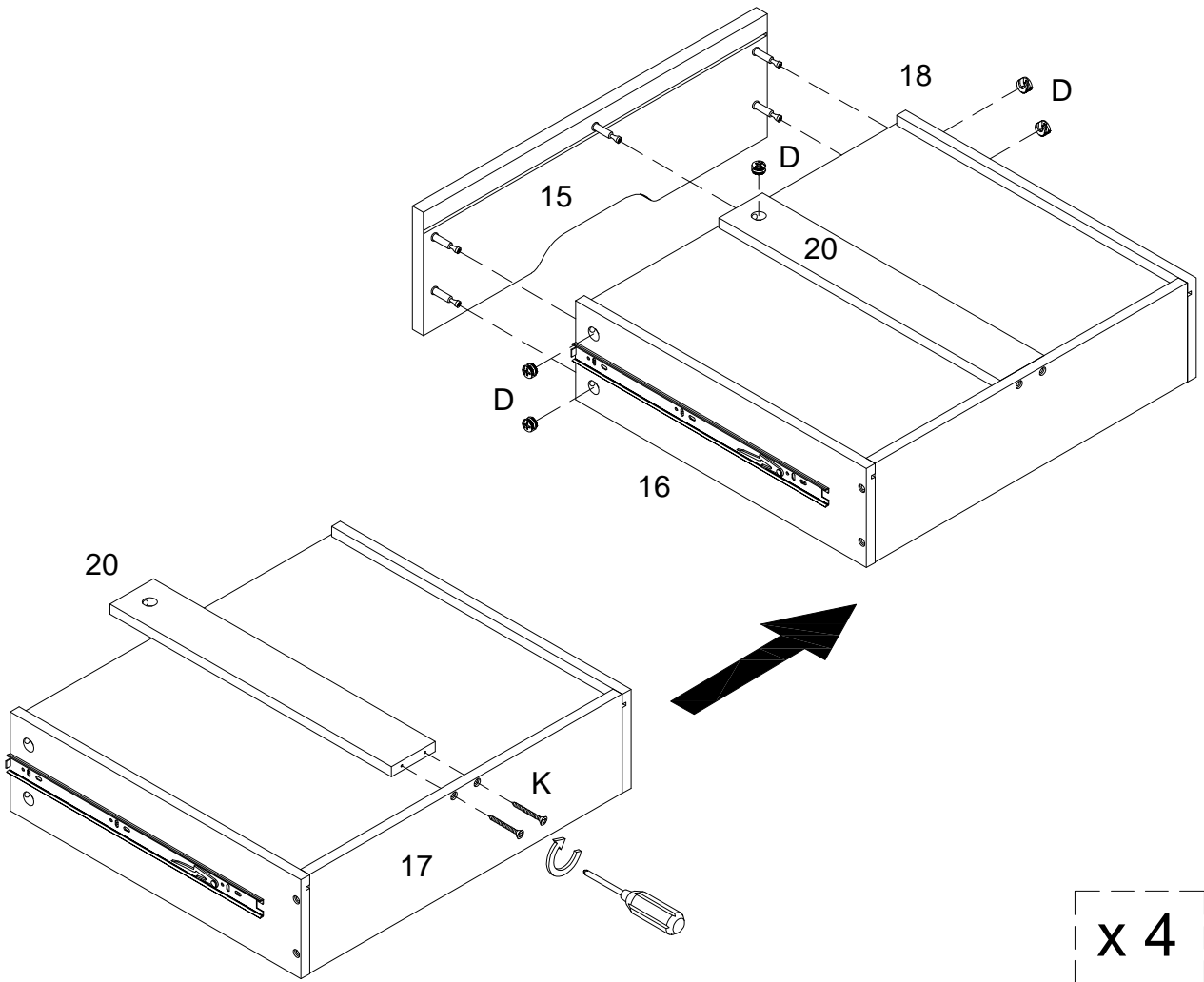
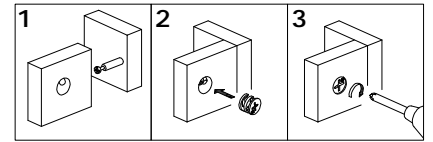


# Step 5



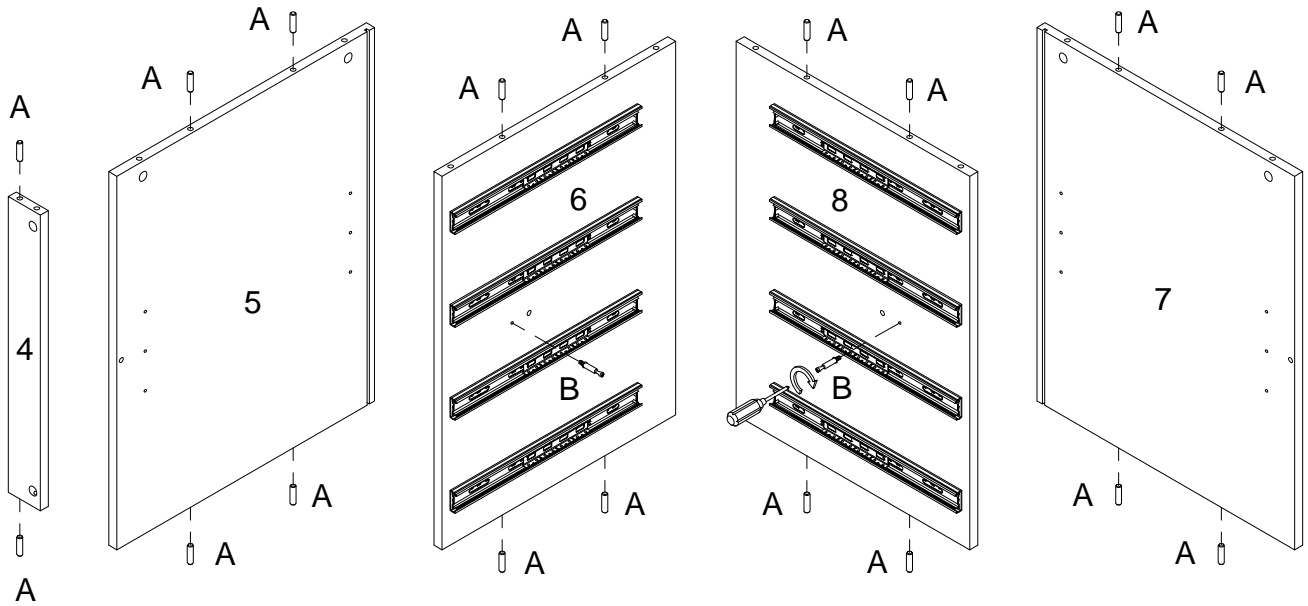
Using screw (K) attach parts (16,18) to part (17) with Philips head screwdriver as per diagram.  
Put part (19) as per diagram.

# Step 6



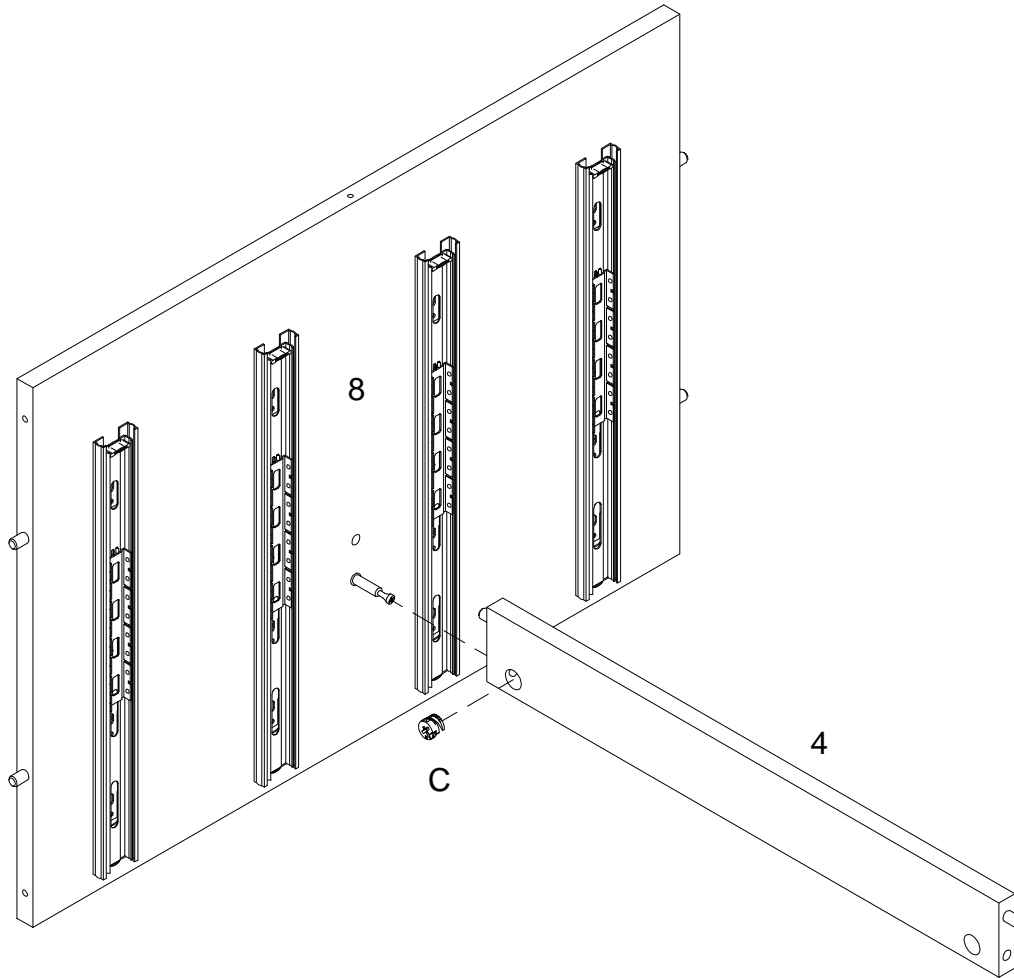
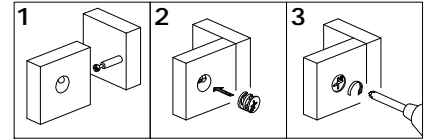
Using screw (K) attach part (17) to part (20), then using cam lock (D) secure part (15) into parts(16, 18,20) with Philips head screwdriver as per diagram.

# Step 7



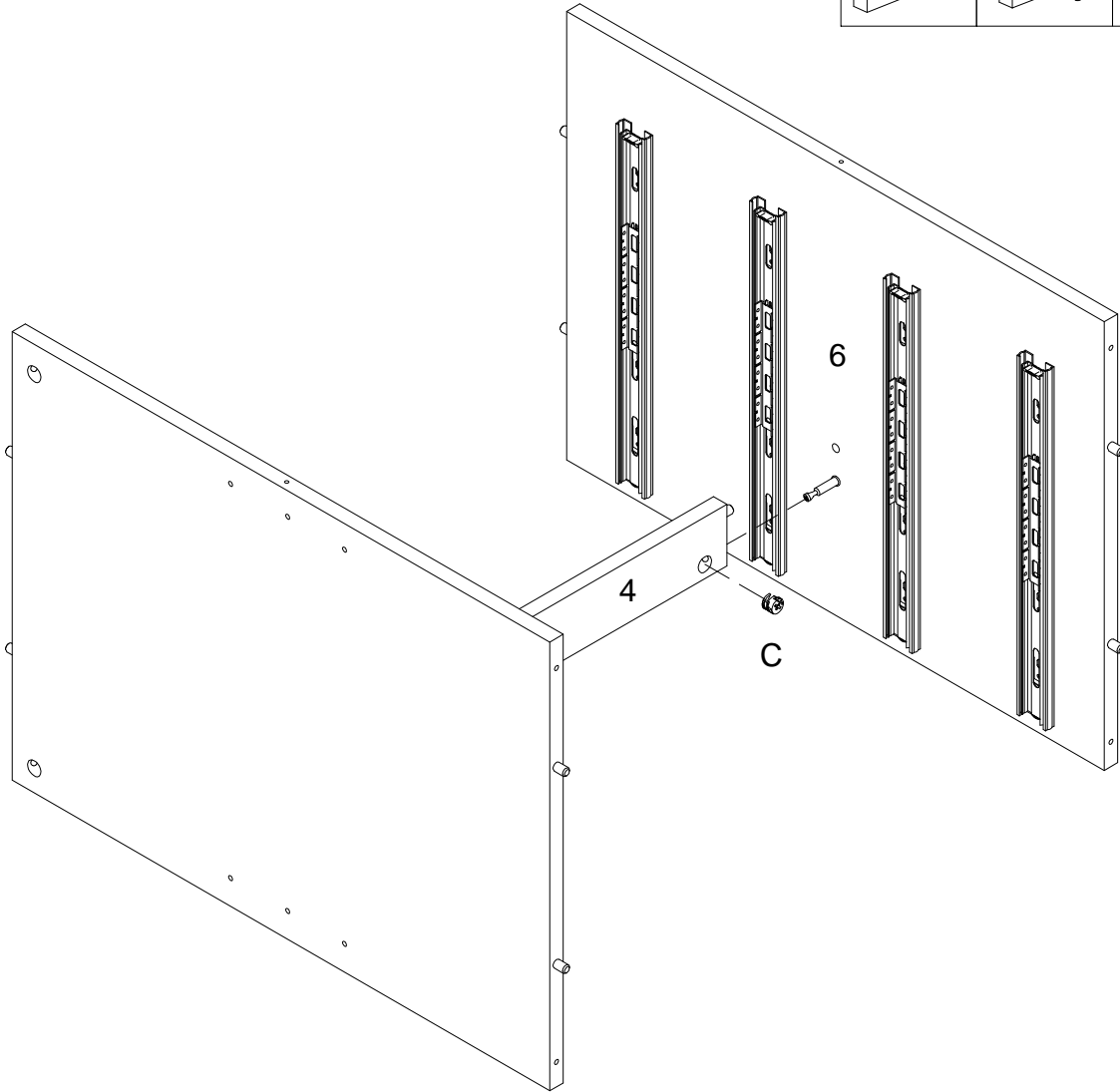
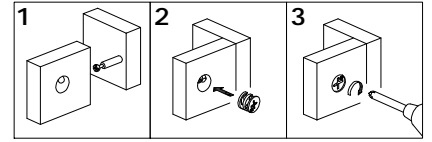
Insert wooden dowel (A) into parts (4,5,6,7,8), then secure cam bolt (B) into parts (6,8) with Philips head screwdriver as per diagram.

# Step 8



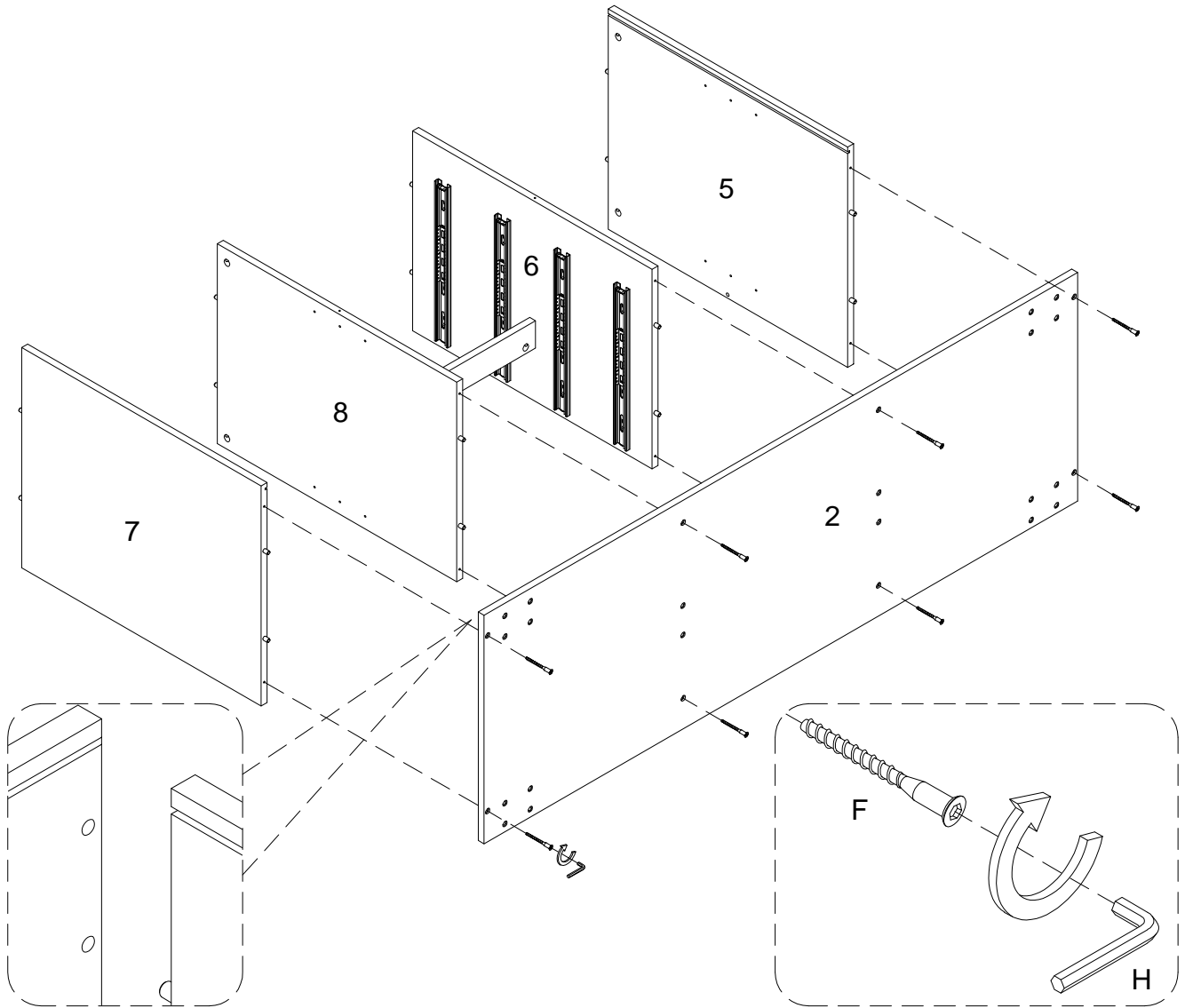
Using cam lock (C) secure part (8) to part (4) with Philips head screwdriver as per diagram.

# Step 9



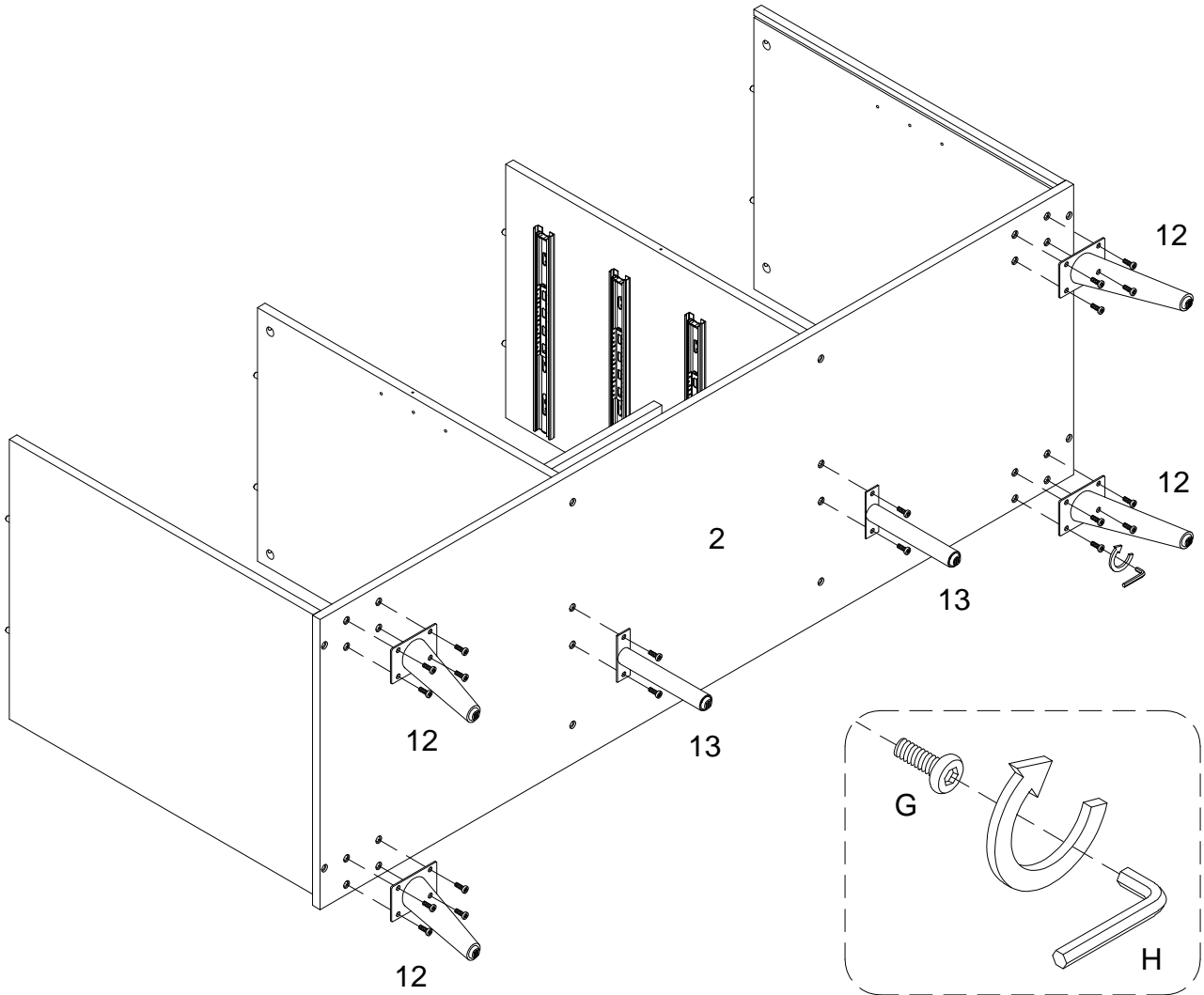
Using cam lock (C) secure part (6) to part (4) with Philips head screwdriver as per diagram.

# Step 10



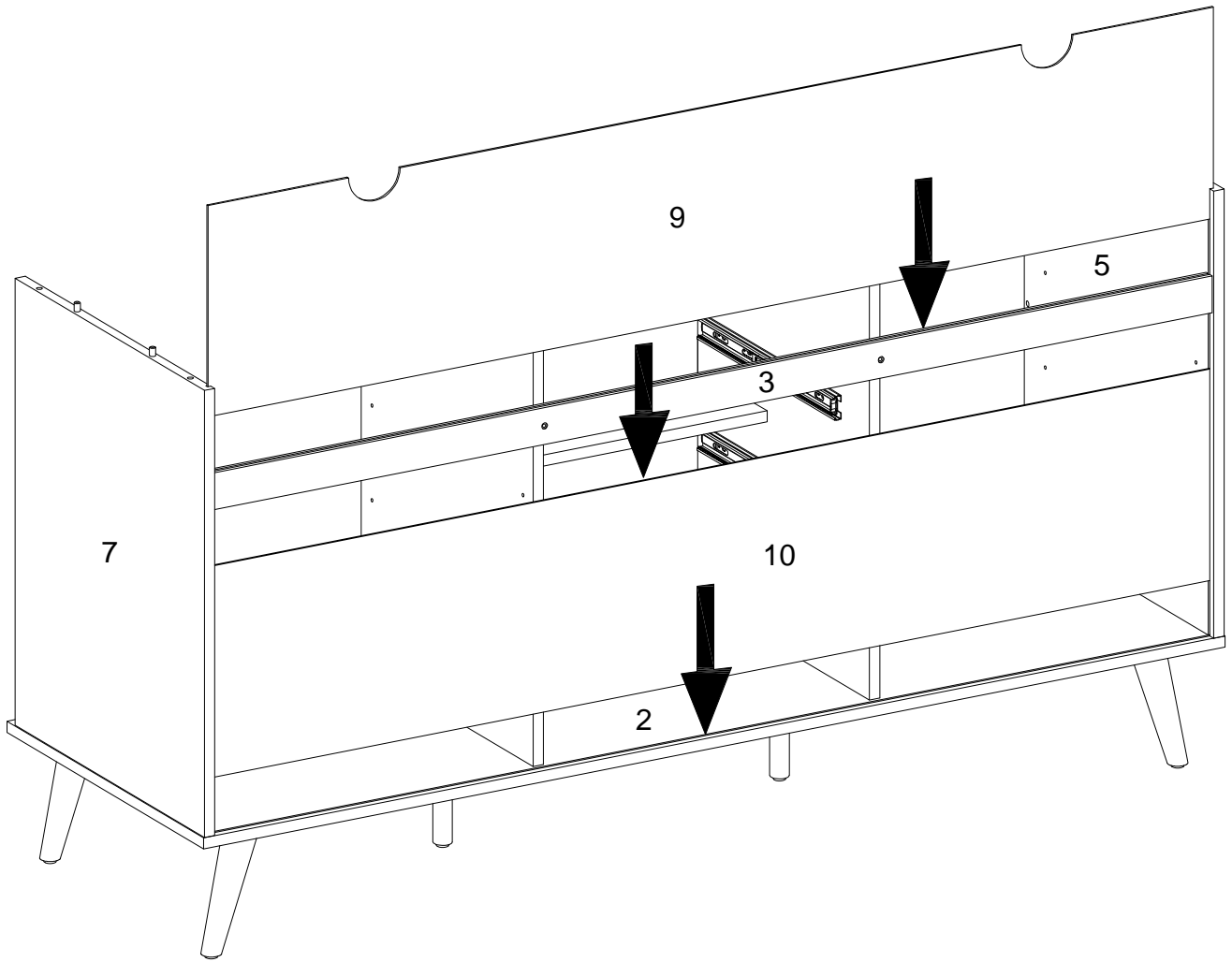
Using screw (F) attach part (2) into parts (5,6,7,8) with hex key (H) as per diagram.

# Step 11



Using bolt (G) attach parts (12,13) to part (2) with Hex key (H) as per diagram.

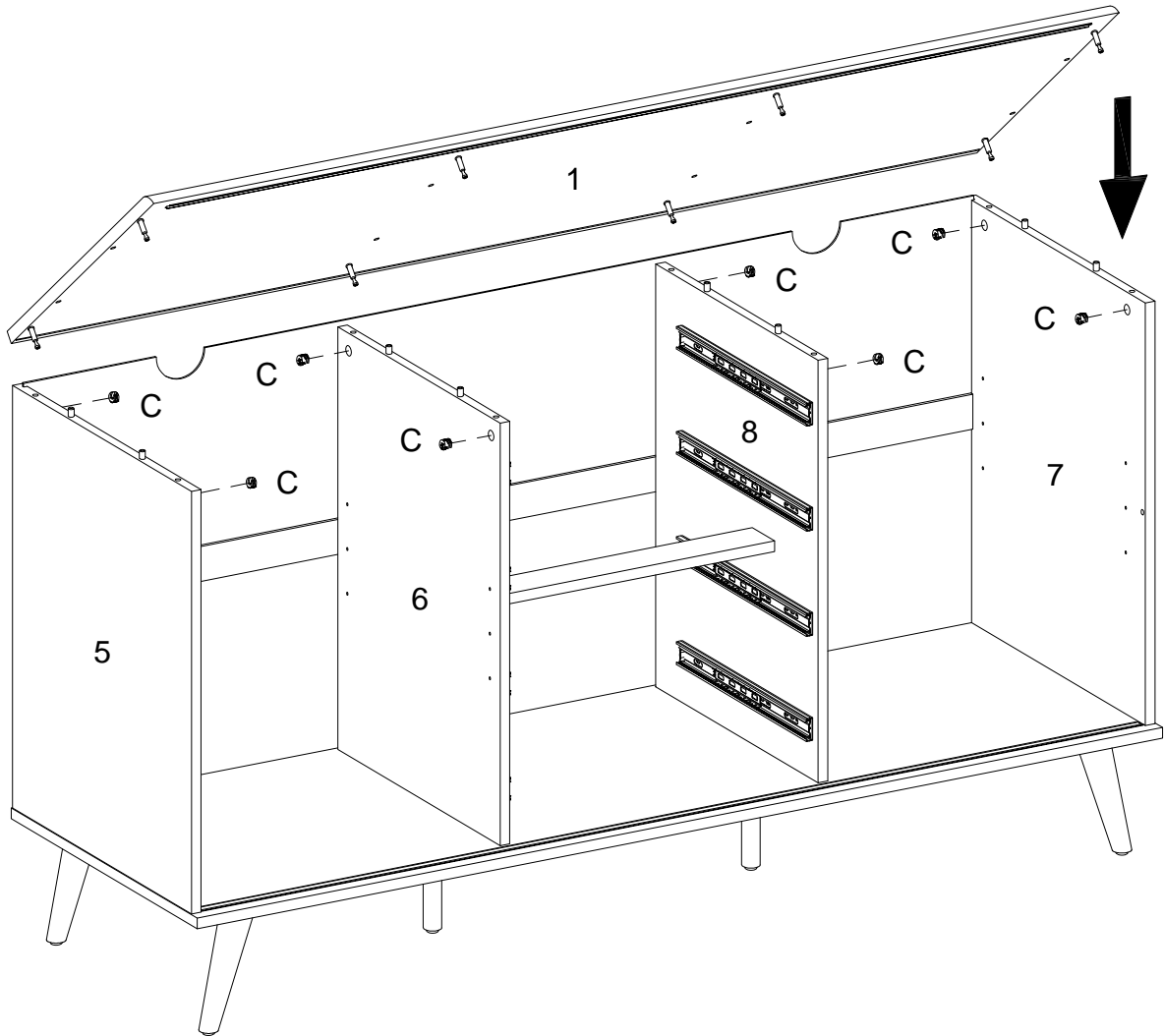
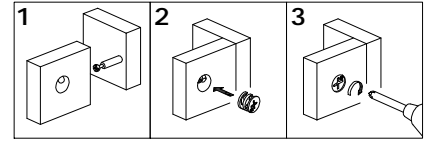
# Step 12



Put parts (3,9,10) as per diagram.

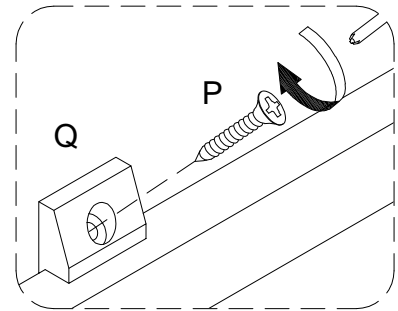
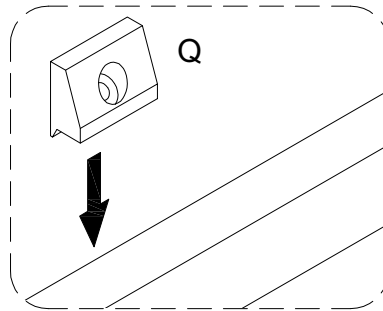
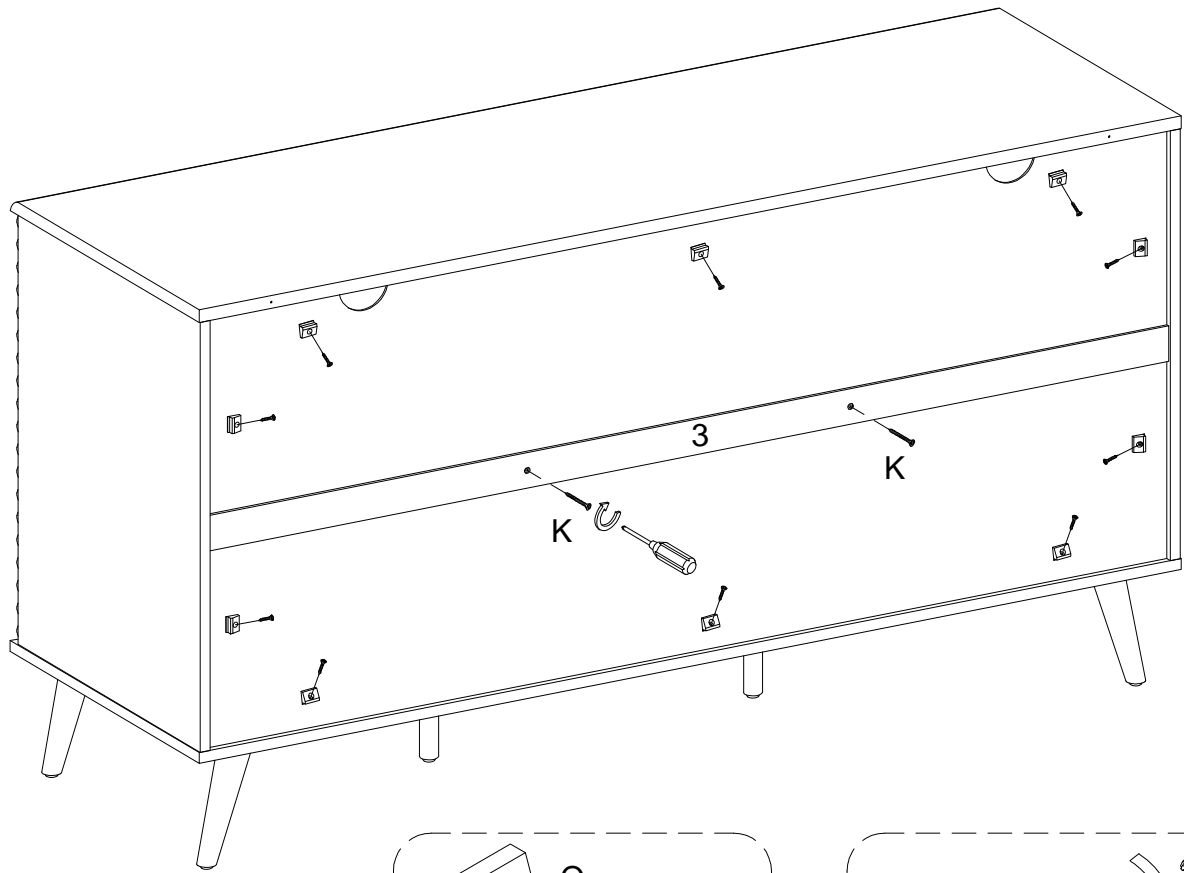


# Step 13



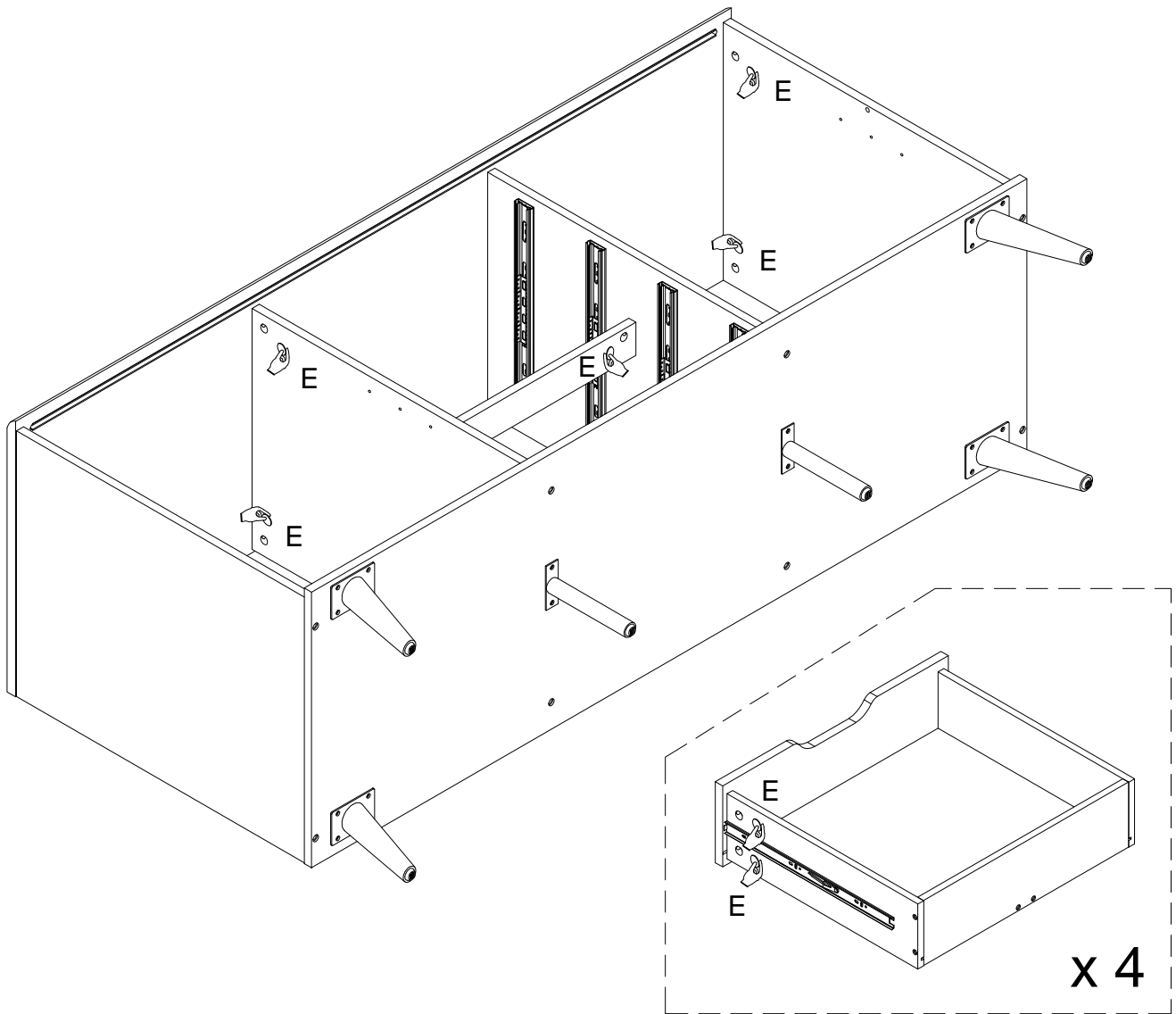
Using cam lock (C) secure part (1) into parts (5,6,7,8) with Philips head screwdriver as per diagram.

# Step 14



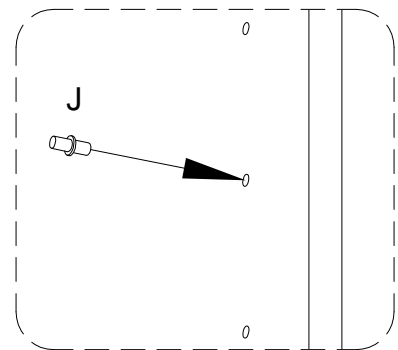
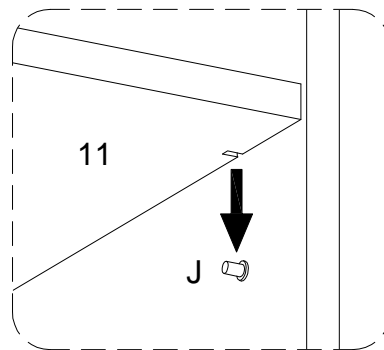
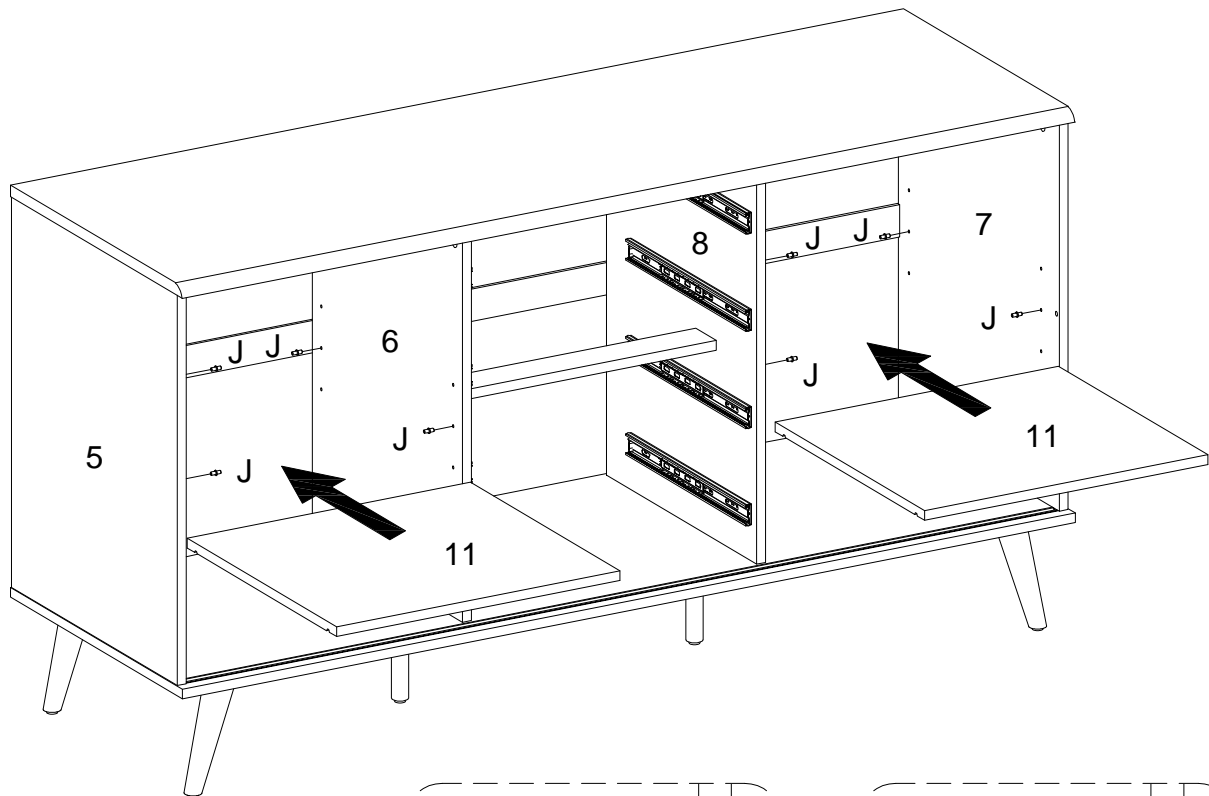
Secure screw (K), then using screw (P) secure plastic wedge (Q) with Philips head screwdriver as per diagram.

# Step 15



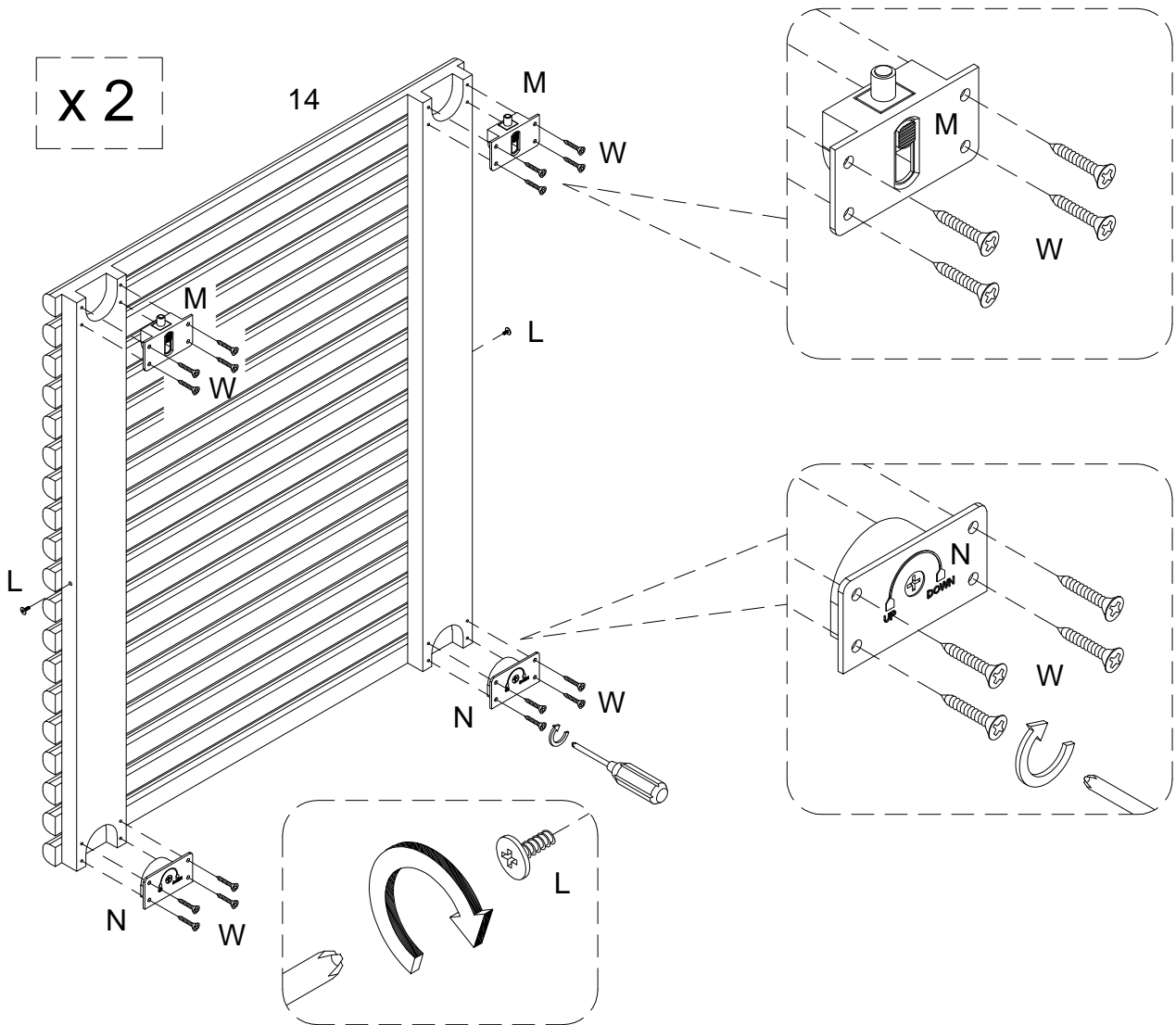
Place sticker (E) cover the holes as per diagram .

# Step 16



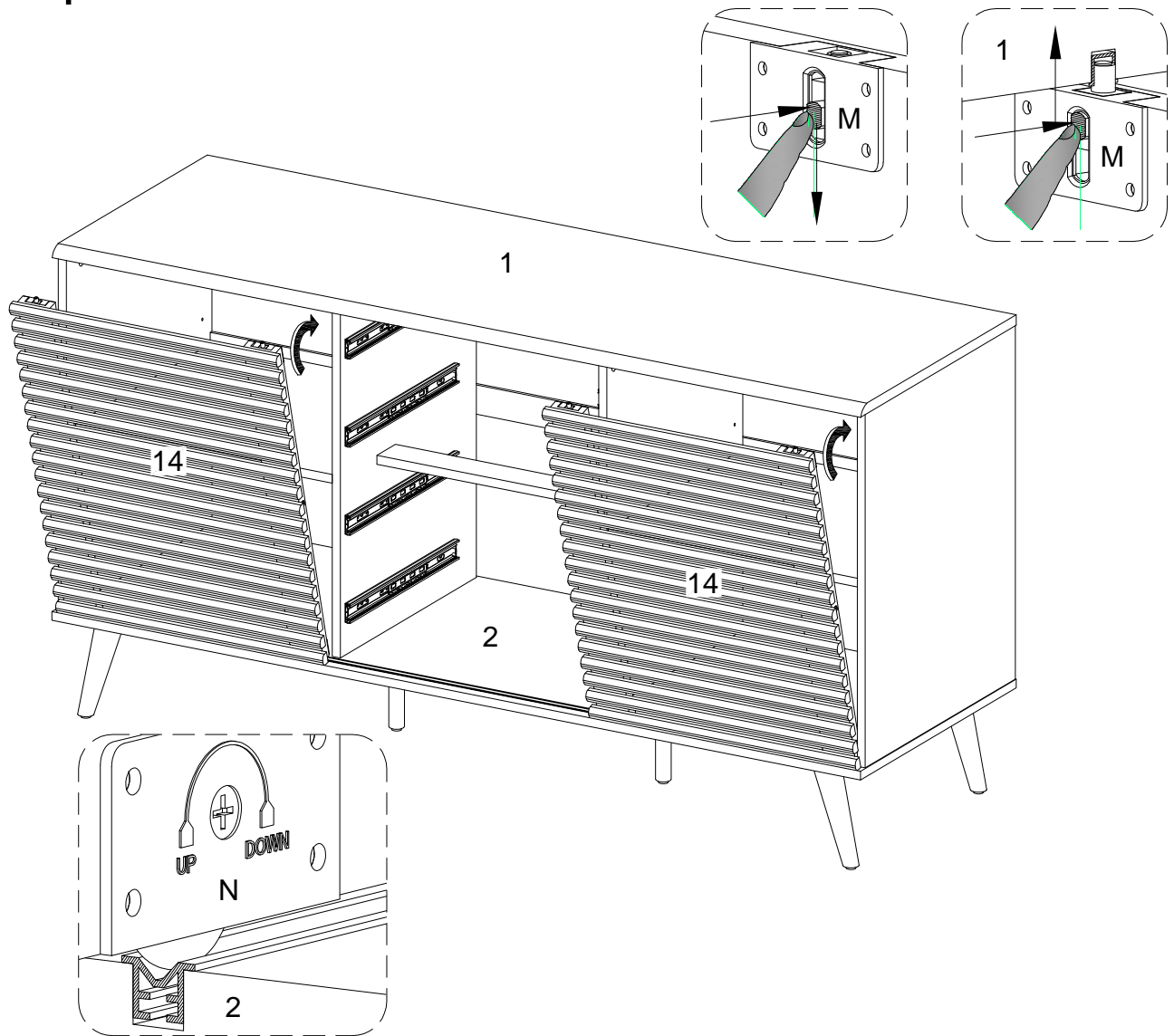
Insert shelf support pin (J) into parts (5,6,8,9) as per diagram. Make sure you place the four shelf support pins (J) in the same level. So the shelf is not titled .Put part (11) into unit as per diagram. Tilt and rest the adjustable shelf(11) onto the shelf support pins .

# Step 17



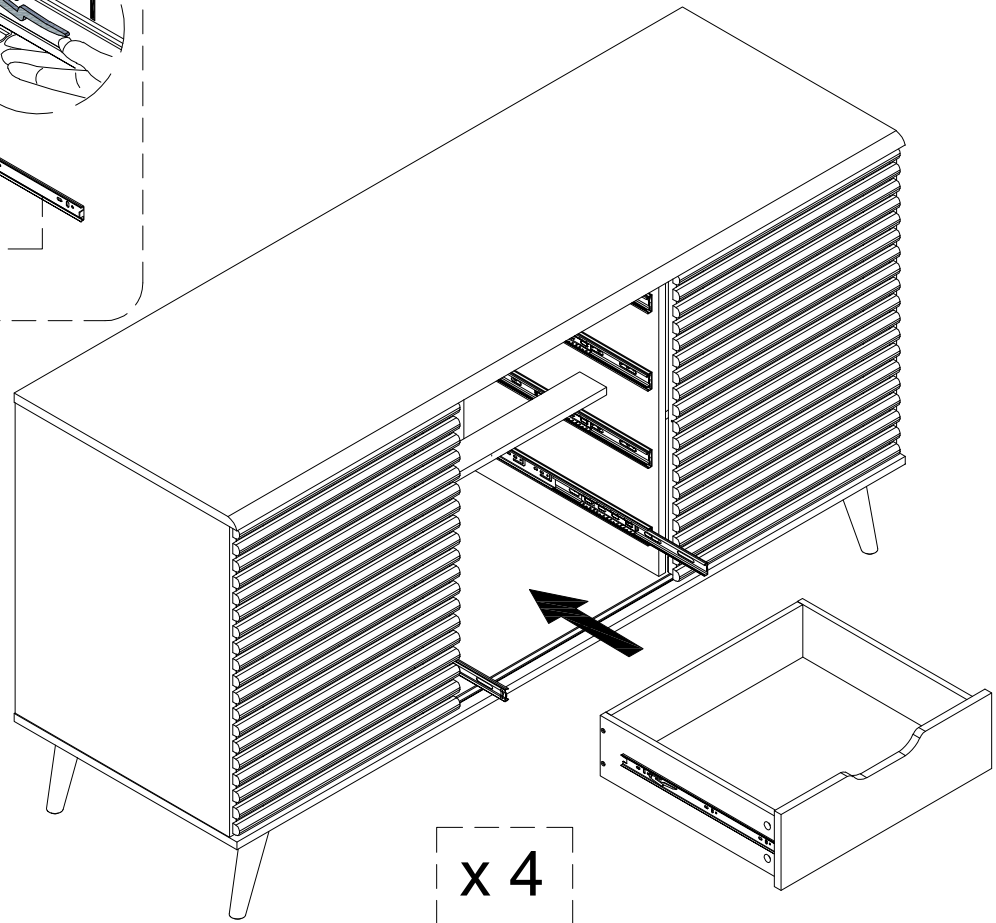
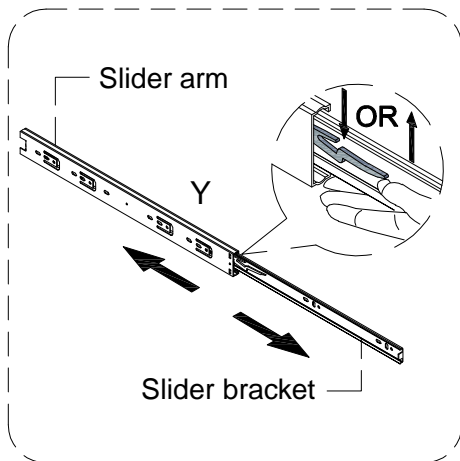
Secure screw (L) into part (14), then using screw (W) attach pulley (M,N) with Philips head screwdriver as per diagram.

# Step 18



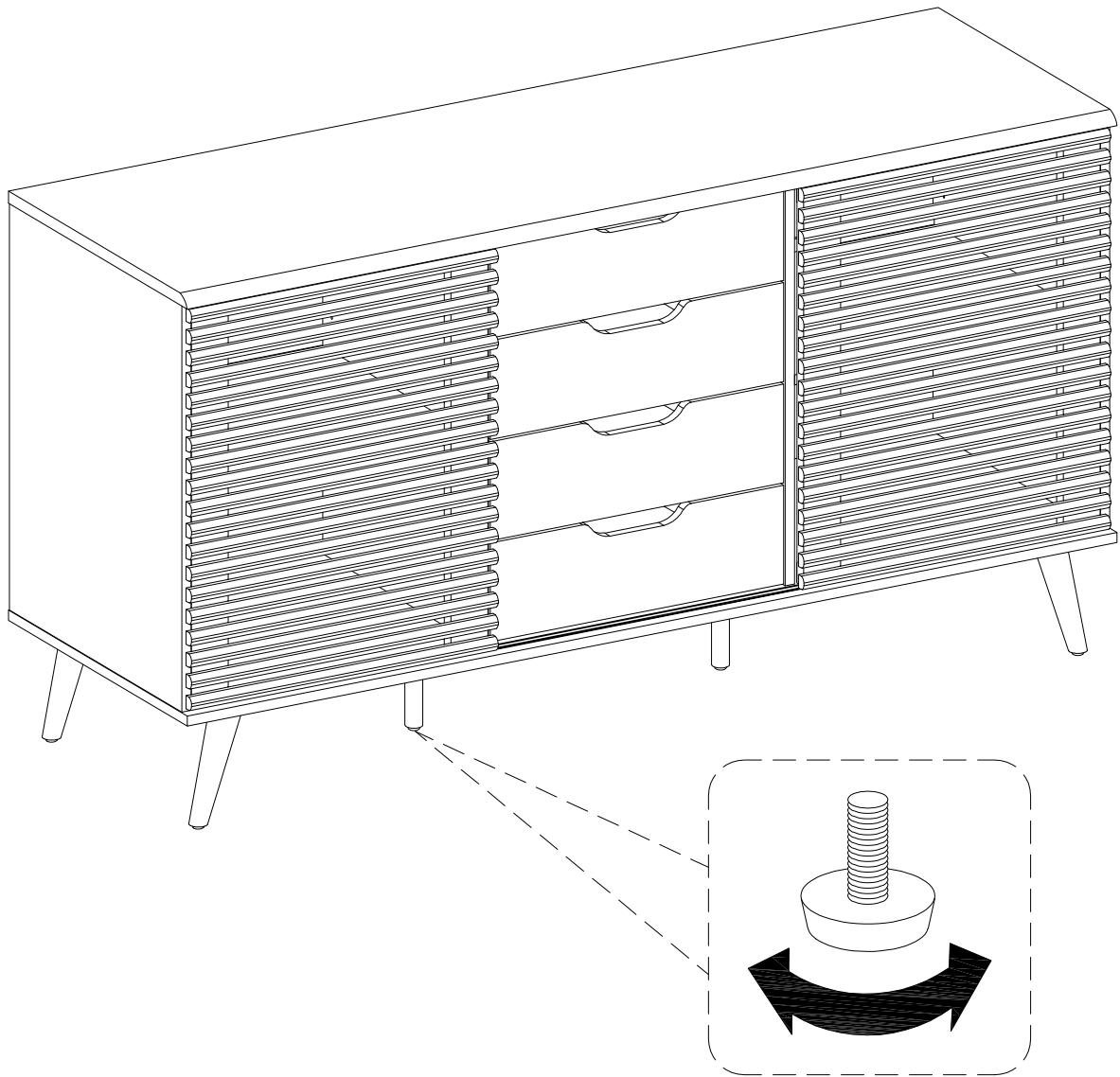
Pick up the door (14), and fit the pulley (N) over the slider rails on the bottom panel (2), then place the pulley (M) into top panel (1), till it click into pulley as per diagram.

# Step 19



Insert the assembled drawers into the unit frame, extend the Ball Bearing Slide Tracks (Y) on the pedestal Side Panel all the way forward .Then align the Slide Runners on the assembled drawers with the Slide Tracks and push the drawer carefully inside until it stops. Note : if the drawer does not go in smoothly, please take it out and repeat the step. If you need to remove the drawer, please pull the drawer all the way out,press or lift the plastic release lever and pull out the drawer and then re-assembled the drawer until it was going in smoothly .

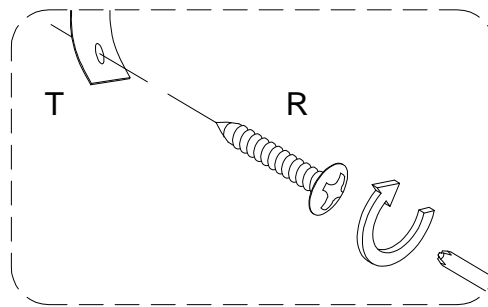
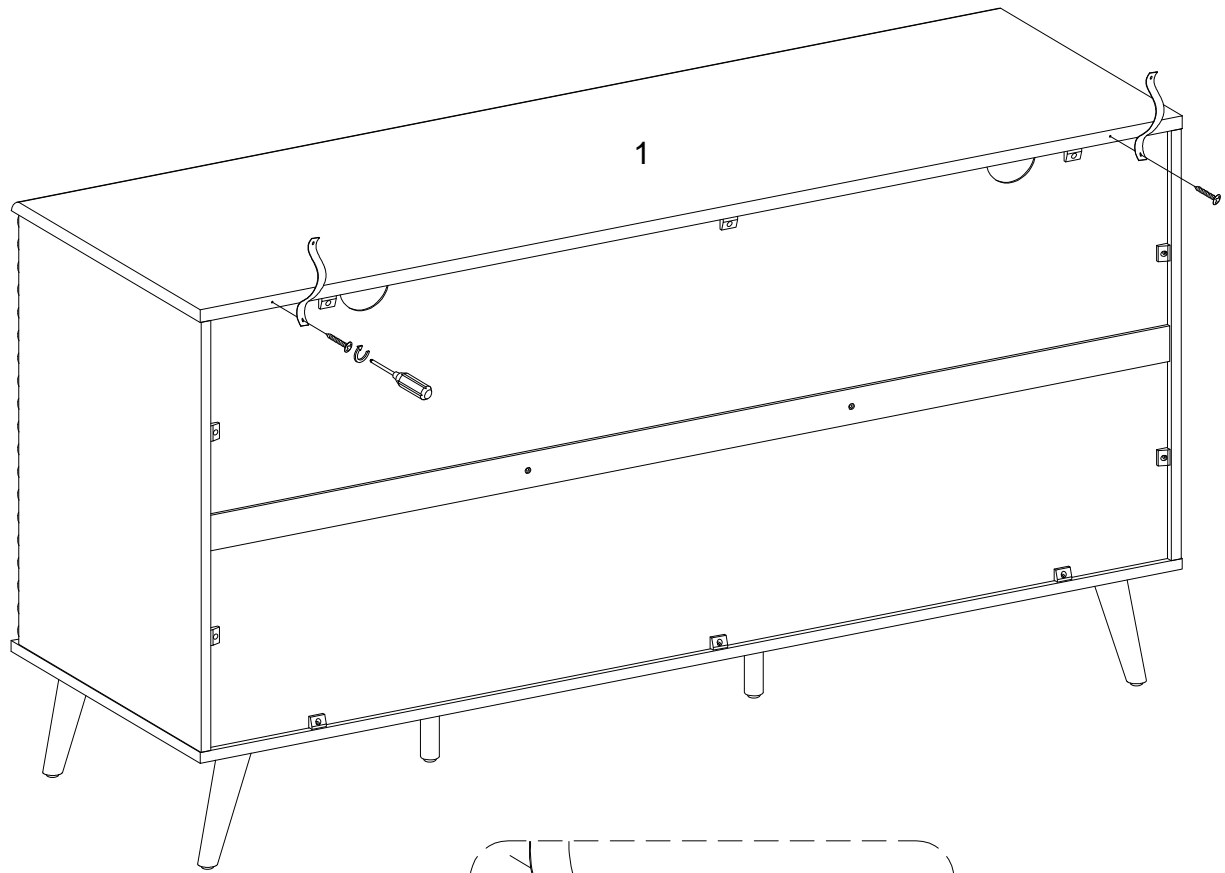
# Step 20



Position the assembled unit at the desired location ,if necessary adjust the floor leveler at the bottom of the leg to level the unit .



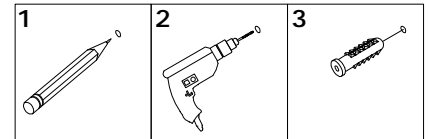
# Step 21



Using screw (R) attach Velcro strap (T) into part (1) with Philips head screwdriver as per diagram.

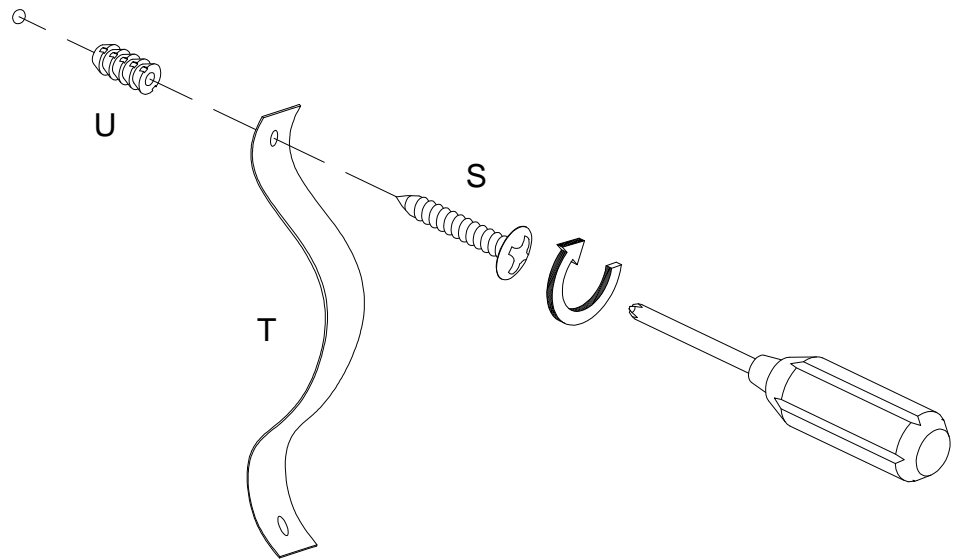
# Step 22

## WARNING



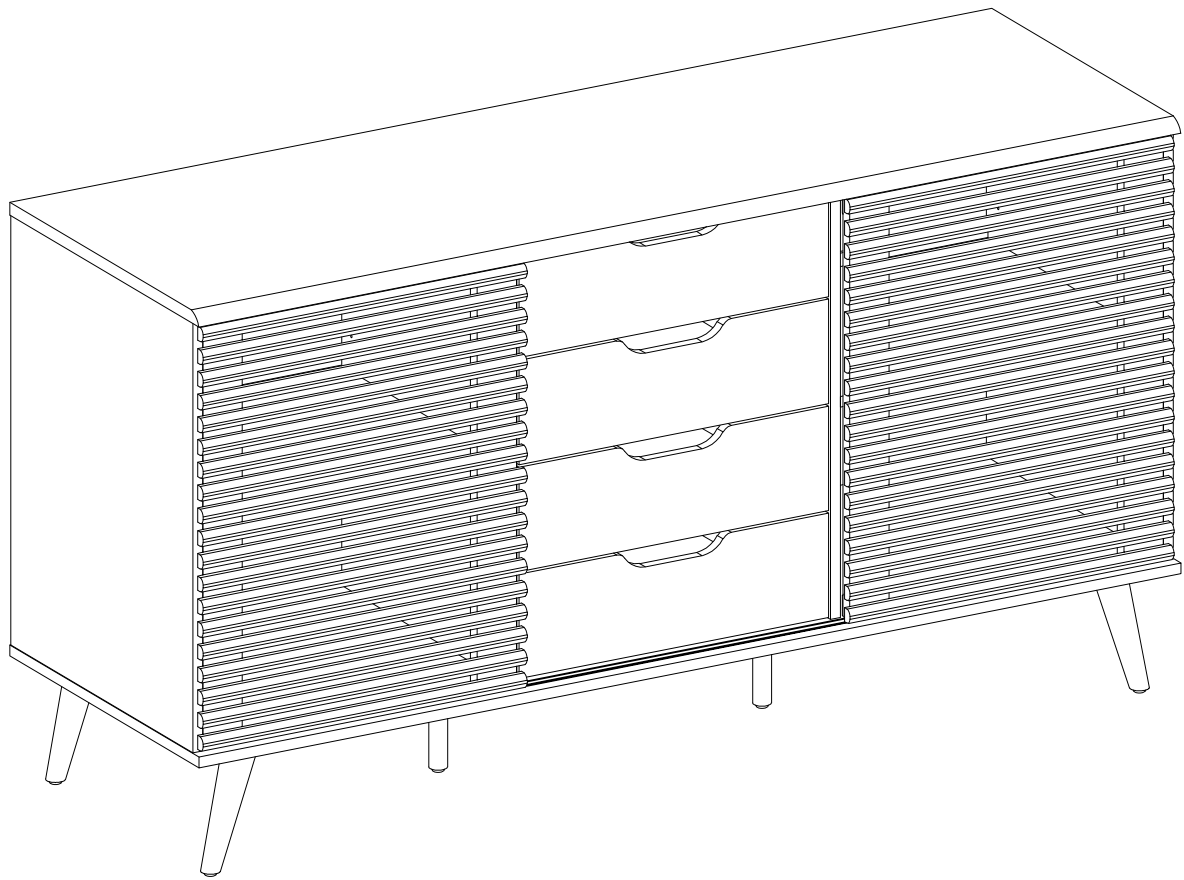
Serious or fatal injuries can occur from furniture tipping over. To prevent the furniture from tipping over we recommend that it is permanently fixed to the wall. Wall anchor and hardware are included with this product. Please make sure hardware is suitable for your walls before installing, as different wall materials may require different types of anchors.

Wall



Using screw (S) attach Velcro strap (T) into Nut (U) to wall with Philips head screwdriver as per diagram.

# Step 23



## Final Assembly