

ASSEMBLY INSTRUCTIONS

Description: Lionel Bar Cart

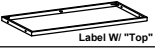







Important safety instructions:

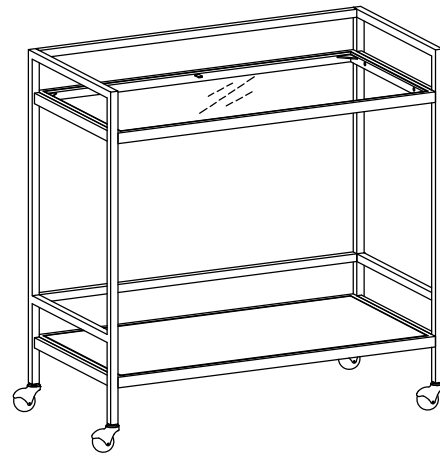
- Please carefully read all instructions before assembling.
- For your safety and ease, assembly by two or more adults is recommended.
- Keep instructions for future use.

Pre-assembly:








- Do not discard any contents until after assembly is complete to avoid accidentally discarding small parts or hardware.
- Remove all parts and hardware from box along with any plastic protective packaging.

Parts List

Item	Description	QTY
P1	Top Frame 	1
P2	Bottom Frame 	1
P3	Left Side Frame 	1
P4	Right Side Frame 	1
P5	Back Rails 	2
P6	Top Glass 	1
P7	Ceramic 	1
P8	Casters 	4






Hardware List

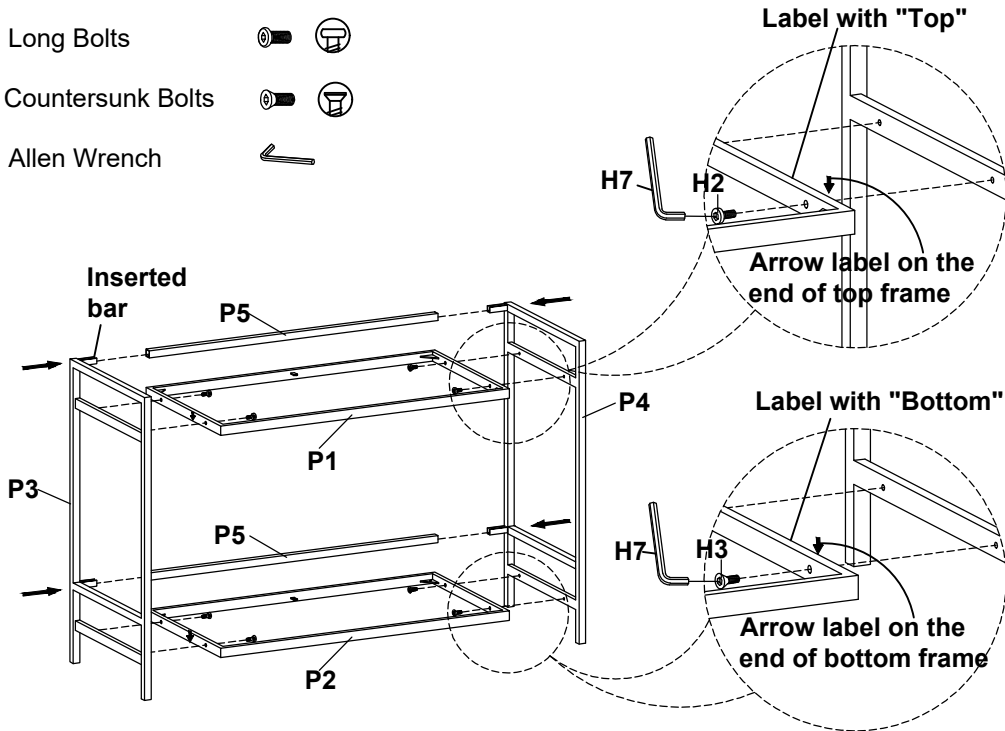
Item	Description	QTY
H1	Short Bolts $\text{\O}1/4" * 1/2"$ 	8
H2	Long Bolts $\text{\O}1/4" * 3/4"$ 	4
H3	Countersunk Bolts $\text{\O}1/4" * 3/4"$ 	4
H4	Flat Washers $\text{\O}1/4"$ 	4
H5	Clear Plastic Pad 	6
H6	Open Wrench 	1
H7	Allen Wrench 4mm 	1

Assembly Procedures:

Step 1. Assemble the bar cart on a flat, soft surface such as a carpet or cloth to prevent scratching the finish.

- 1) Insert the inserted bar on side frame (P3, P4) to back rails (P5).
- 2) Attach top frame (P1) to two side frame (P3, P4) using long bolts (H2), make sure the frame have a label with "Top" and make sure the arrow of label on a end of top frame (P1) in the direction of the floor. the inserted bar on side frame (P3, P4) to back rails (P5).
- 2) Attach bottom frame (P2) to two side frame (P3, P4) using countersunk bolts (H3), make sure the frame have a label with "Bottom" and make sure the arrow of label on a end of top frame (P1) in the direction of the floor.

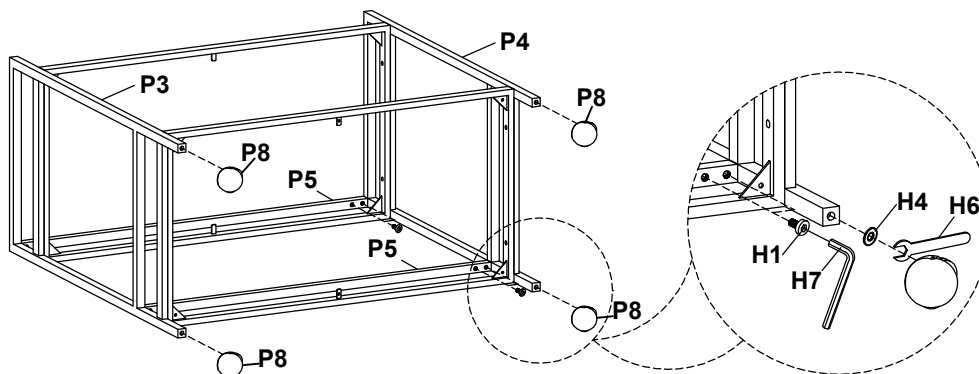
- (H2)x4 Long Bolts 
- (H3)x4 Countersunk Bolts 
- (H7)x1 Allen Wrench 



Step 2.


- 1) Use short bolts (H1) to attach the rails (P5) to two side frames (P3/P4).
- 2) Securely tighten the casters (P8) to the side frames (P3/P4) through the flat washers (H4) with open wrench (H6) as shown below.

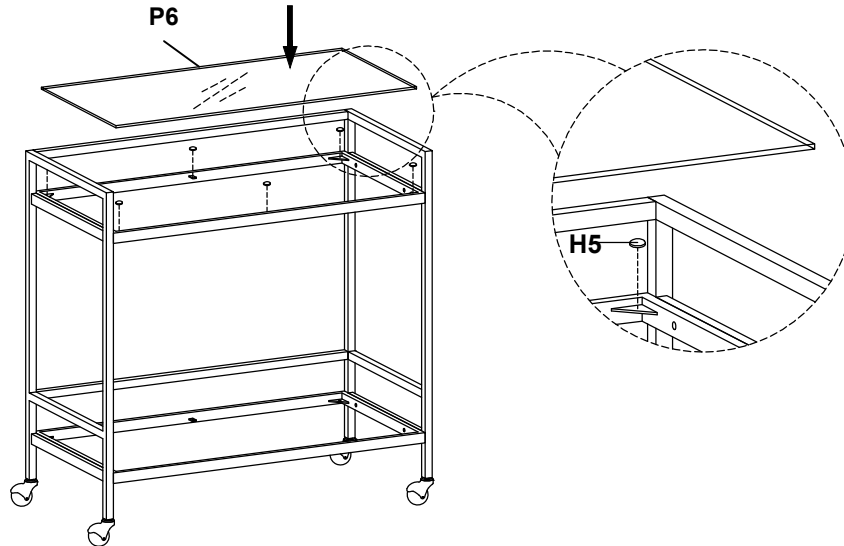
- (H1)x8 Short Bolts 
- (H4)x4 Flat Washers 
- (H6)x1 Open Wrench 
- (H7)x1 Allen Wrench 



Step 3.

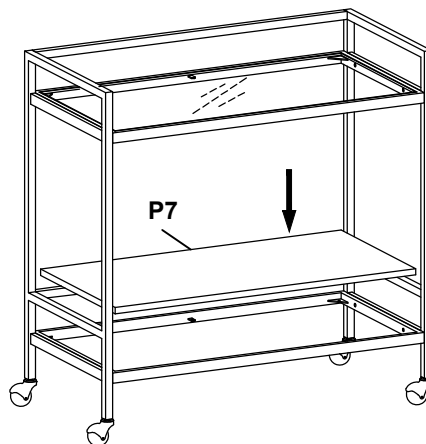
- 1) Turn the assembled bar cart to an upright position.
- 2) Make sure the assembled bar cart is level and securely tighten all bolts with Allen wrench (H5).
- 3) Place the clear plastic pad (H5) on the assembly top frame as shown below.
- 4) Gently lay the glass (P6) on the table top.

(H5)x6 Clear Plastic Pad 



Step 4.

- 1) Gently lay the ceramic (P7) on the bottom frame of bar cart. Assembly is complete.



Caution: Failure to follow these instructions may cause the bolts to misalign during assembly.

ADDITIONAL NOTE ABOUT SAFETY: BOLTS MAY LOOSEN DURING NORMAL EVERYDAY USE. THEY SHOULD BE PERIODICALLY INSPECTED AND RE-TIGHTENED TO PREVENT DAMAGE OR INJURY. ALWAYS CHECK TO BE SURE THAT ALL HARDWARE IS KEPT TIGHTENED.

Thank you for your purchase