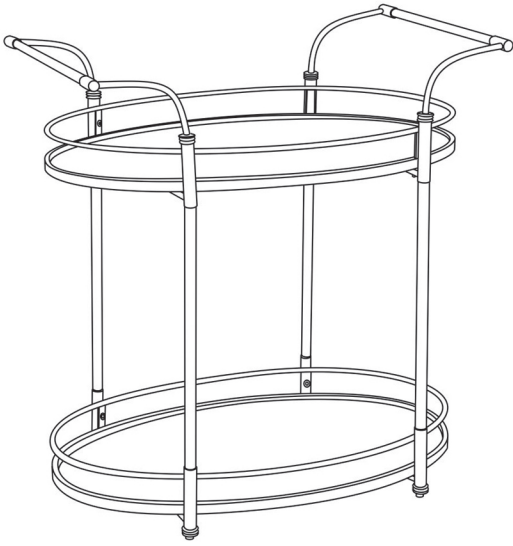
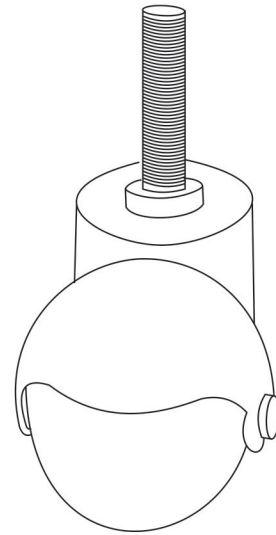


Assembly Manual



A

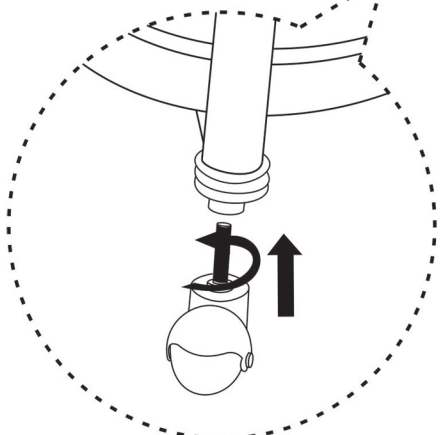
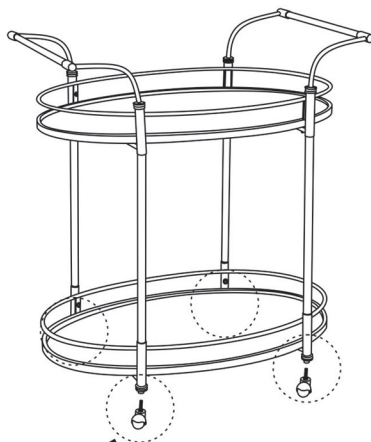
1PC



B

4PCS

Step 1: Lay Part A with holes facing up on flat surface



Step 2: Parts B screw to Part A

