

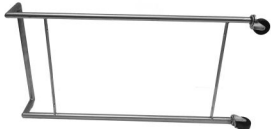
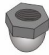


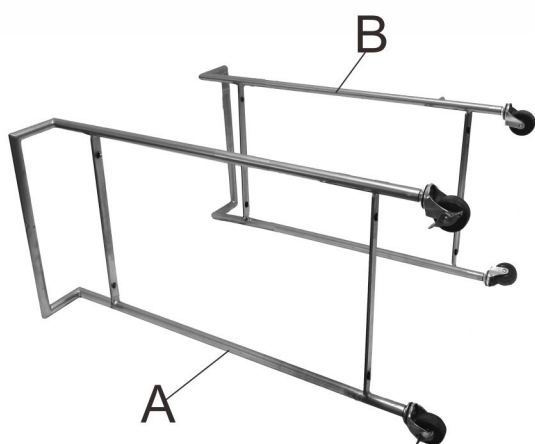


# #12528 ASSEMBLY INSTRUCTION

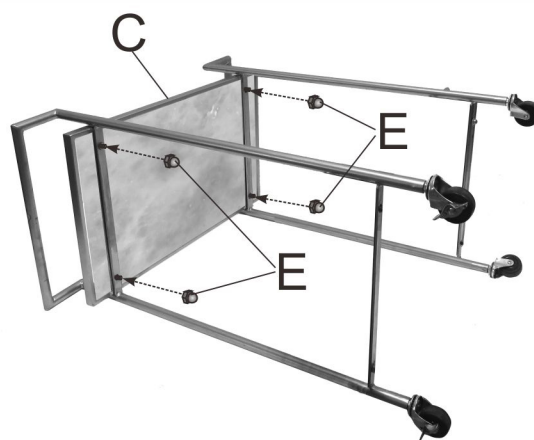
A		1PC	D		1PC
B		1PC	E		8PCS
C		1PC	F		1PC

## STEP 1



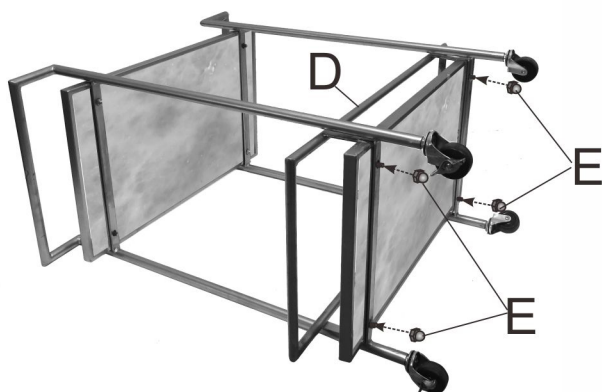
Place the metal legs(A,B) to a soft surface.

## STEP 2



Attach top shelf (C) to be metal legs and fasten by nuts(E), and using the wrench(F).

## STEP 3



Attach bottom shelf (D) to be metal legs and fasten by nuts(E), and using the wrench(F).

## FINISH



Turn over the whole cart to an upright position.