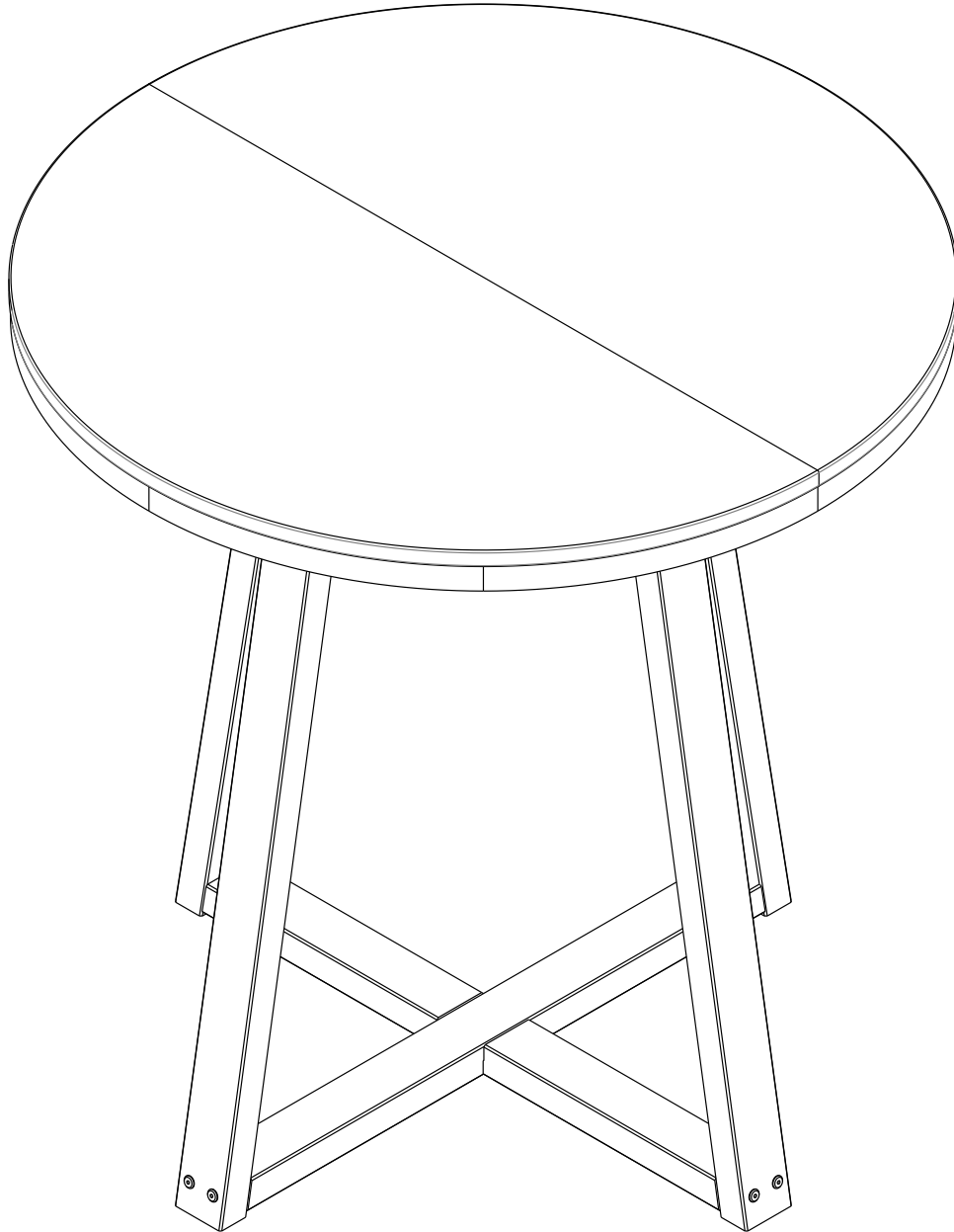


# Item # : DNGD8D

## Assembly Instructions

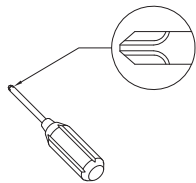


Please visit our website for the most current instructions, assembly tips, report damage, or request parts. [www.walkeredison.com](http://www.walkeredison.com)

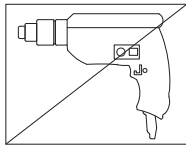
Revised 06/2022

# General Assembly Guidelines

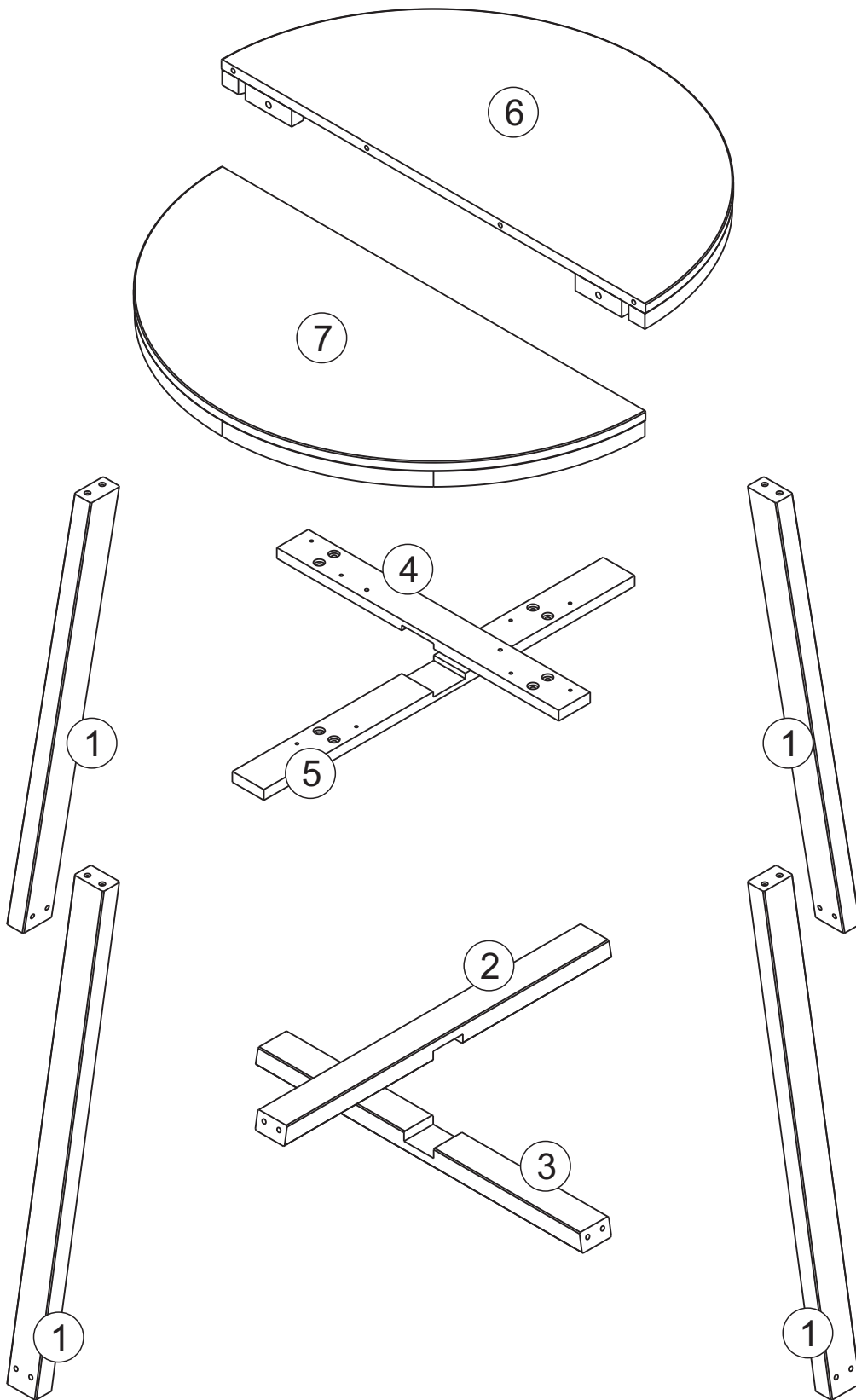
- I. Ensure that all parts and hardware are available before beginning assembly.
- II. Follow each step carefully to ensure the proper assembly of this product.
- III. Two people are recommended for ease in the assembly of this product.
- IV. The three main types of hardware used to assemble this product are : wood dowels , screws and bolts.
- V. A Phillips head screwdriver is required for the assembly of this product .



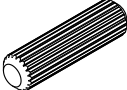
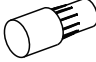
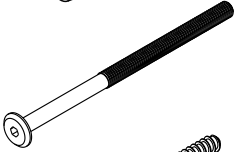
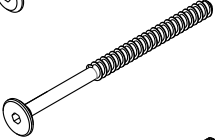
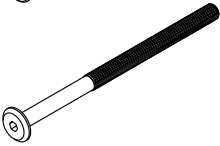
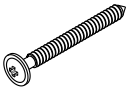

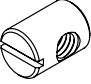

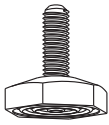
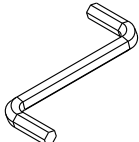
- VI. Power tools should not be used to assemble this product .

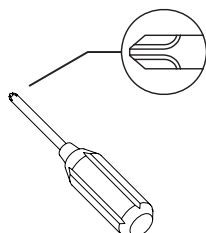
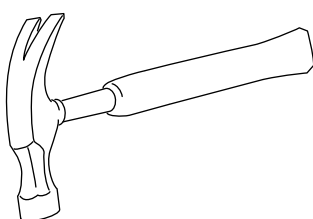


# Parts List



# Hardware List

A		8x30 mm	Wood dowel	04 pcs
B			Plastic Support	02 pcs
C		Ø 1/4"x80 mm	Bolt	08 pcs
D		Ø7.0x70 mm	Bolt	08 pcs
E		Ø 1/4"x60 mm	Bolt	02 pcs
F		Ø4.0x35 mm	Screw	08 pcs
G		Ø 1/4"	Washer	02 pcs
H		Ø 1/4"	Joint Connector Nut	08 pcs
I		Ø 1/4"	Connector Nut	02 pcs
J		Ø 1/4"	Plastic foot	04 pcs
K		M4	Hex key	01 pcs



Philips head screwdriver required for assembly  
(not included)

Mallet or hammer recommended for assembly  
(not included)

*The hardware quantities listed above are required for proper assembly.  
Some extra hardware may also have been included.*

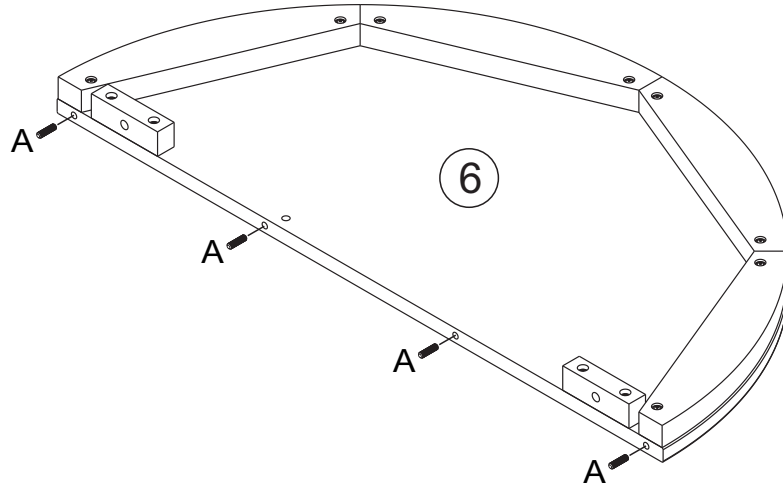
# Step 1

Insert wood dowel ( A ) into part ( 6 ).

A



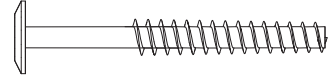
04



# Step 2

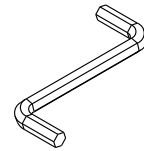
1st - Attach part ( 1 ) to part ( 5 ) using bolt ( D ) and a hex key ( K ).  
2nd - Attach part ( 1 ) to part ( 4 ) using bolt ( D ) and a hex key ( K ).

D

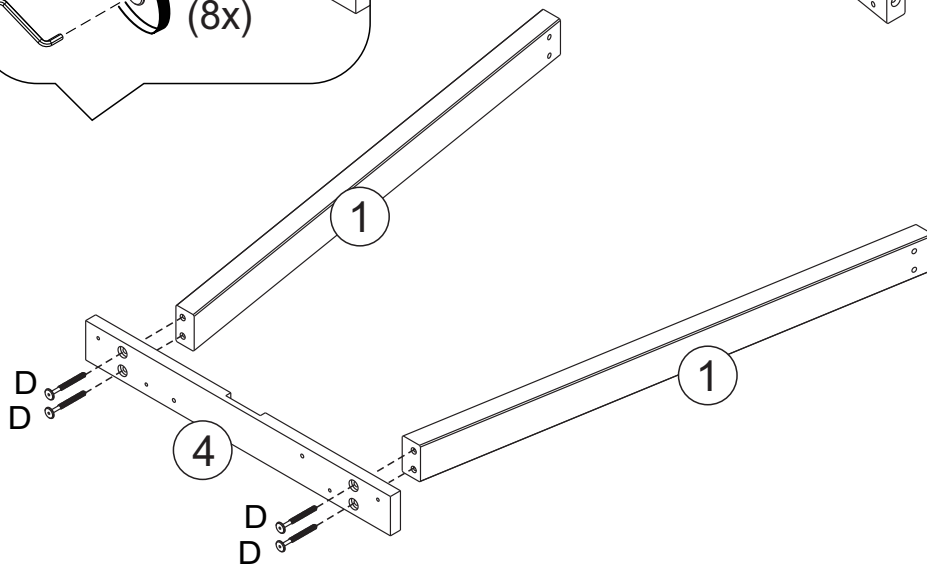
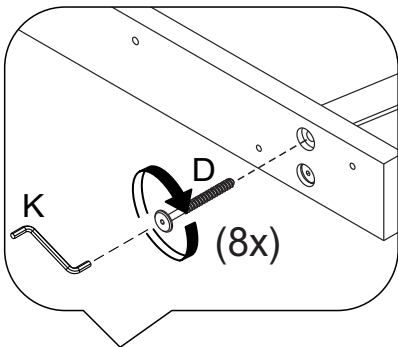
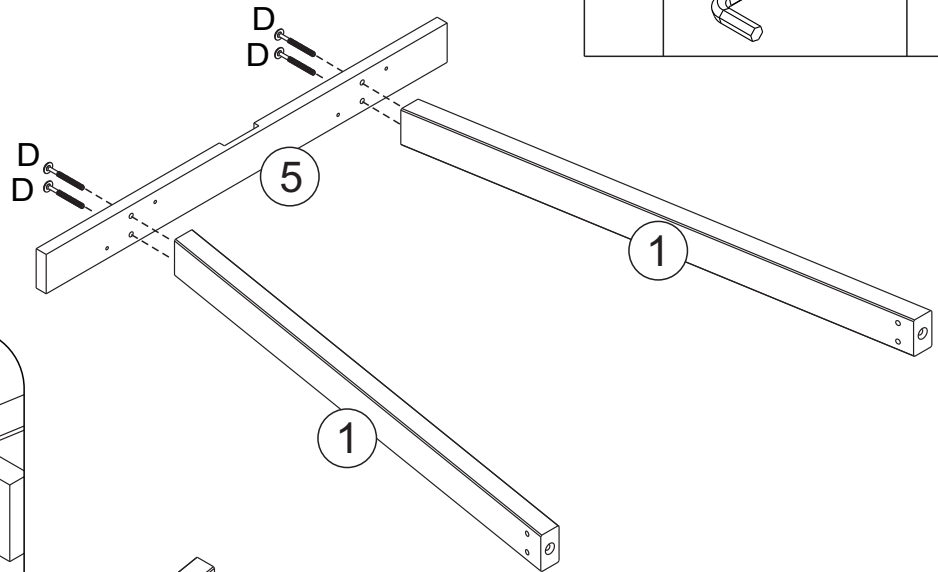


08

K

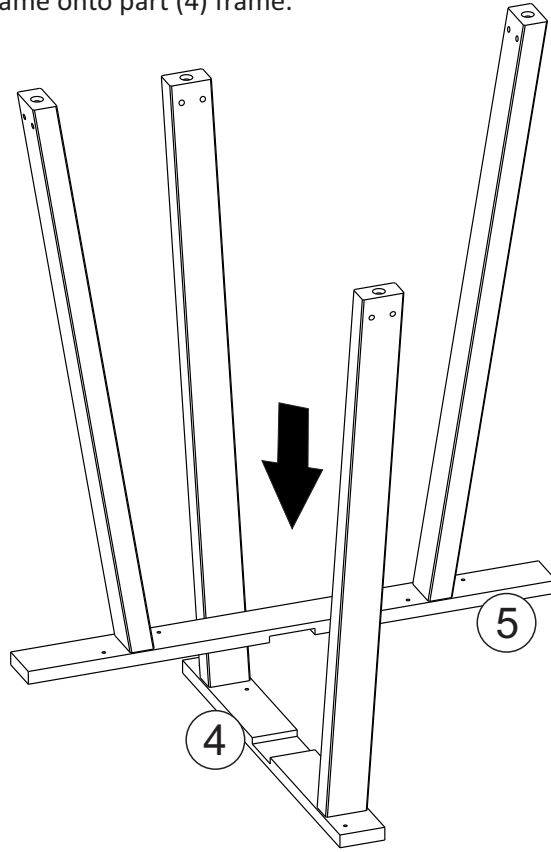


01



# Step 3

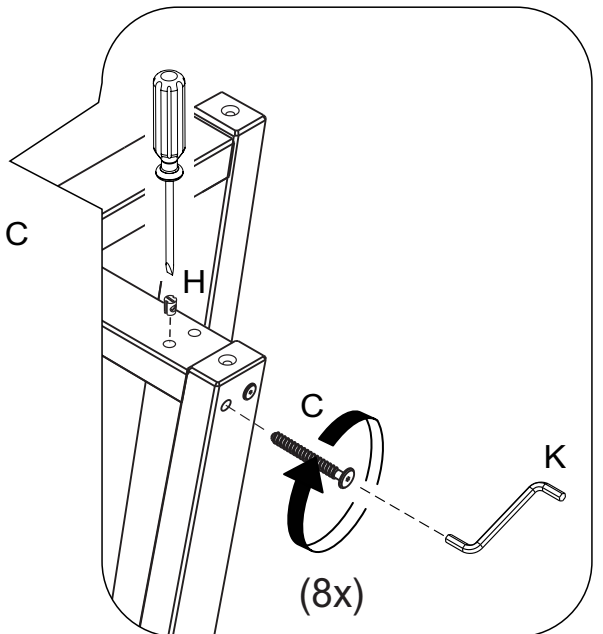
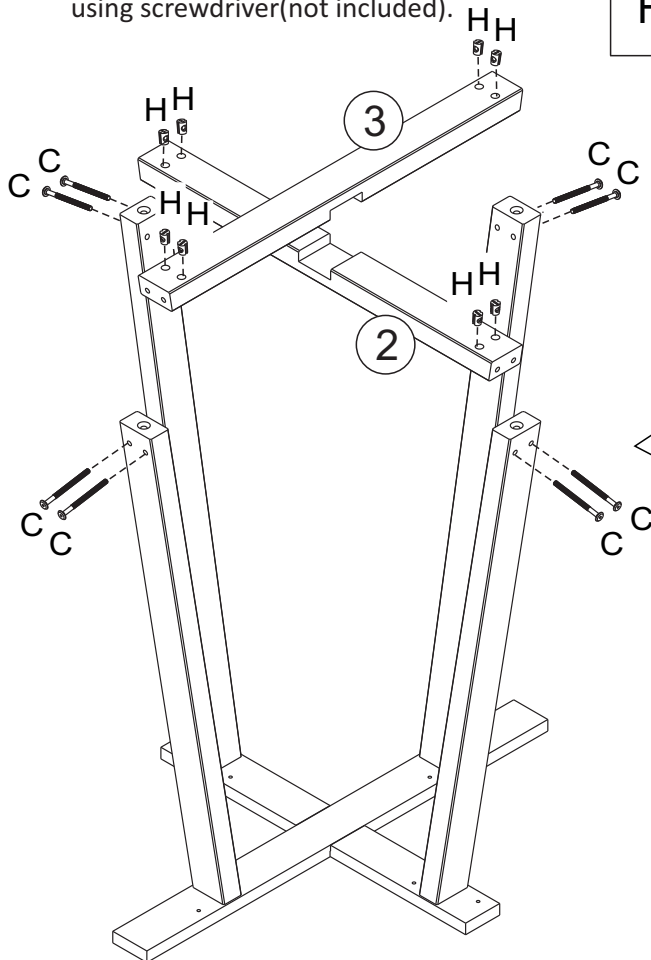
Place part (5) frame onto part (4) frame.



# Step 4

Attach part (2) and (3) to part (1) using bolt (C) and a hex key (K) Find the correct position for the Joint Connector Nut (H) using screwdriver(not included).

C		08
H		08
K		01



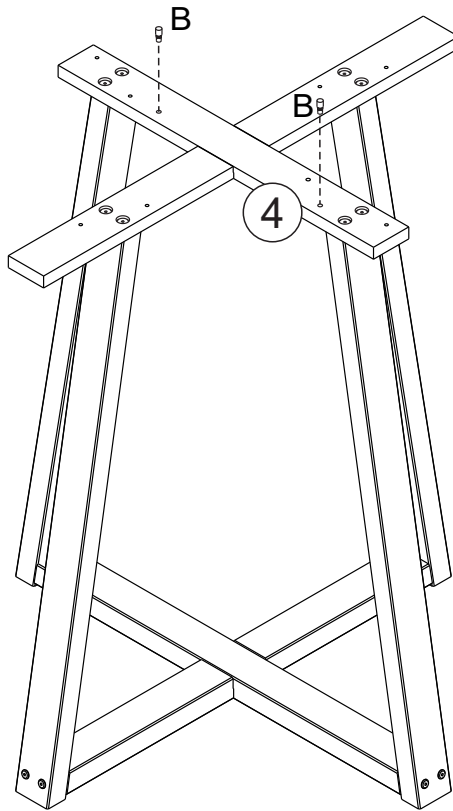
## Step 5

After turned item , insert the Plastic Support (B) in part (4).

B



02



## Step 6

Attach part ( 7 ) to part ( 6 ) Secure the pieces using bolt ( E ) with Washer ( G ) using hex key ( K ), find the correct position for Connector Nut ( I ) using hex key ( K ).

E



02

G



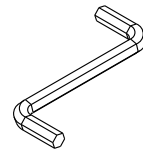
02

I

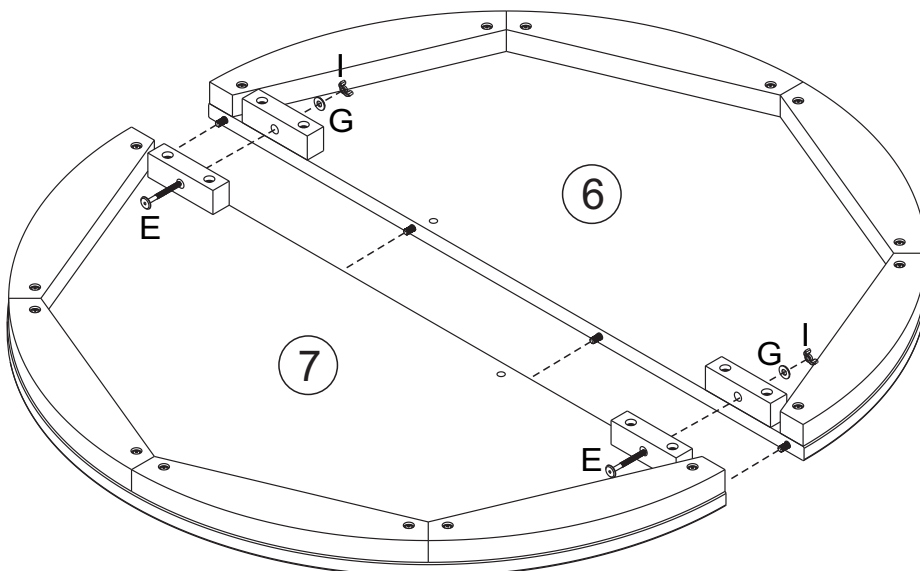


02

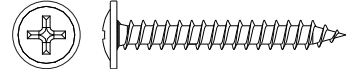
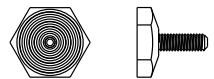
K

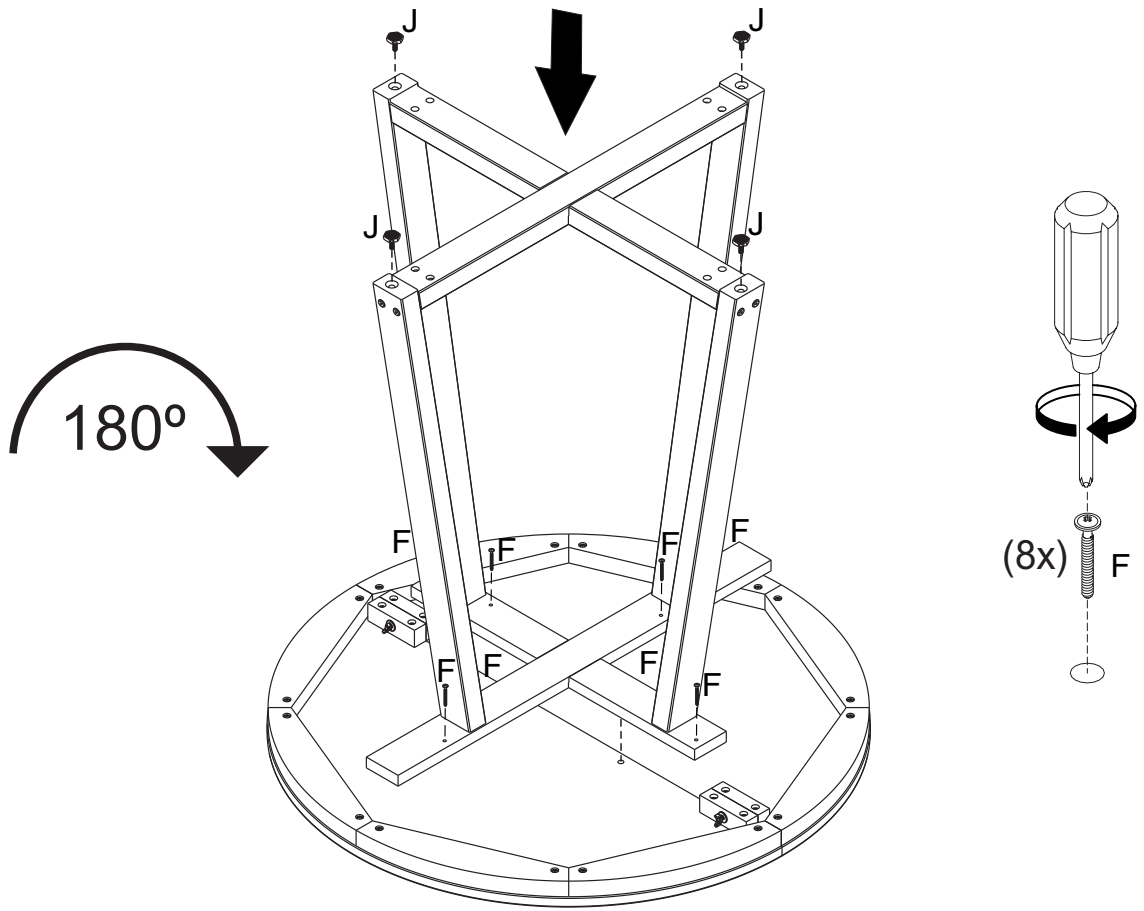


01

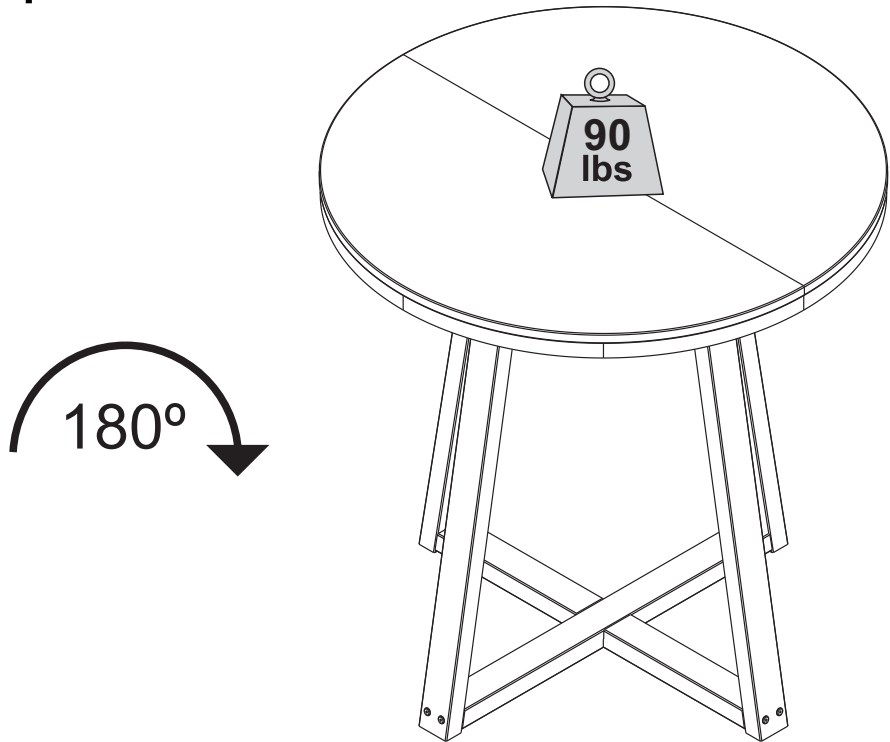


**Step 7** Secure leg frame onto part Top table using screw ( F ) and a screwdriver ( not included ).  
Attach plastic feet ( J ) to leg frame.

F		08
J		04



**Step 8**



Final Assembly.