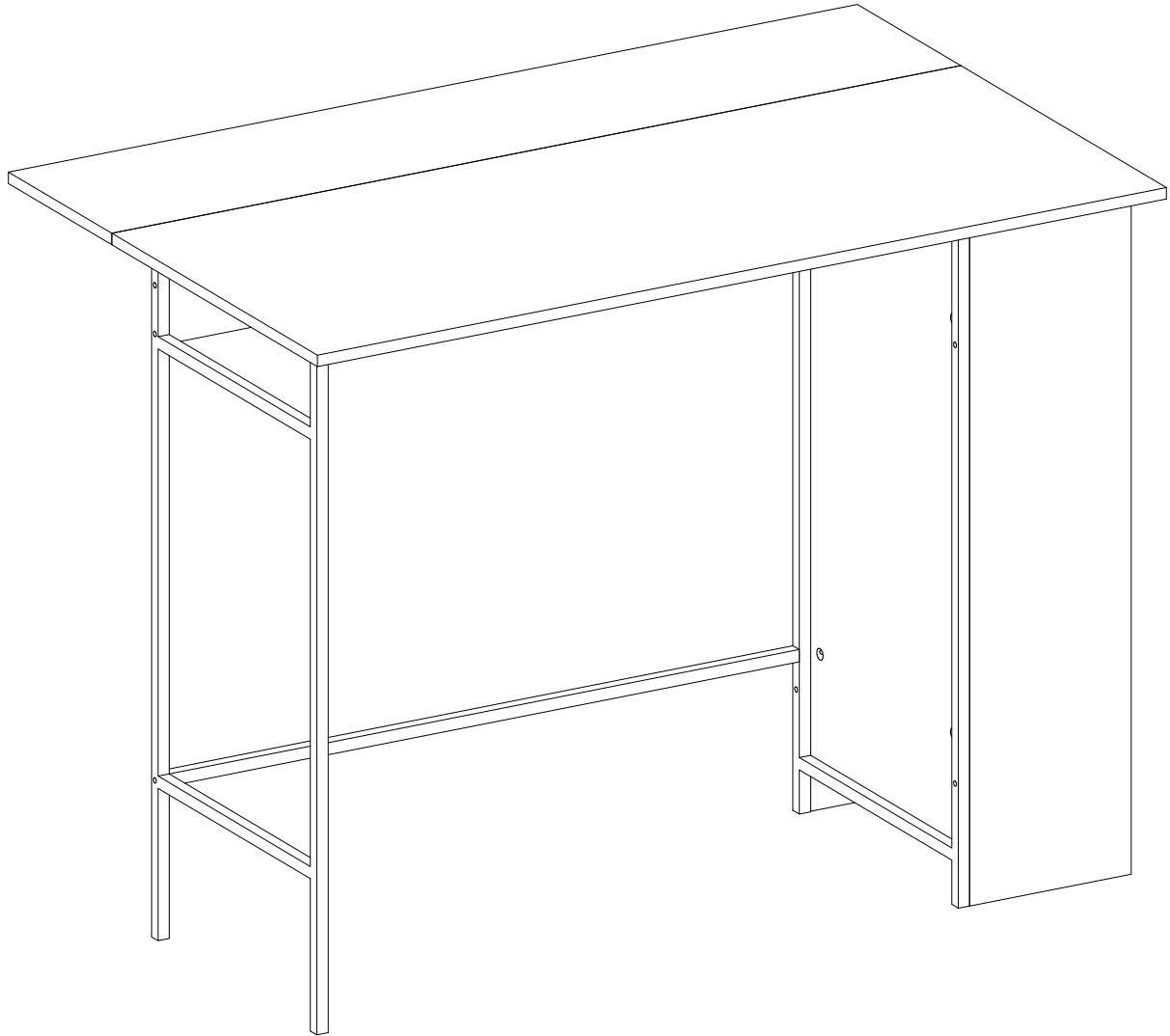


Item # : TW48LNDL  
Assembly Instructions



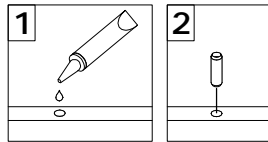
Walker Edison®

Please visit our website for the most current instructions, assembly tips, report damage, or request parts. [www.walkeredison.com](http://www.walkeredison.com)

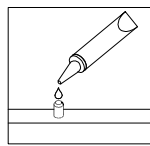
Revised 16/08/2019 (L)

# General Assembly Guidelines

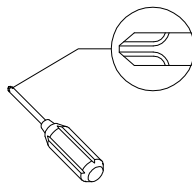
- I. Ensure that all parts and hardware are available before beginning assembly.
- II. Follow each step carefully to ensure the proper assembly of this product.
- III. Two people are recommended for ease in the assembly of this product.
- IV. The three main types of hardware used to assemble this product are: wood dowels, screws and bolts.
- V. The provided glue is to secure wood dowels in place. When first inserting dowels, locate the appropriate hole for the dowel, place a small amount of glue in the hole and insert the dowel. Wipe away excess glue immediately.



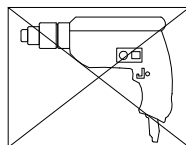
In future assembly steps when dowels are necessary to attach assembly parts together, place a small amount of glue on the end of the dowel before attaching parts together. Wipe away excess glue immediately.



- VI. A Phillips head screwdriver is required for the assembly of this product .

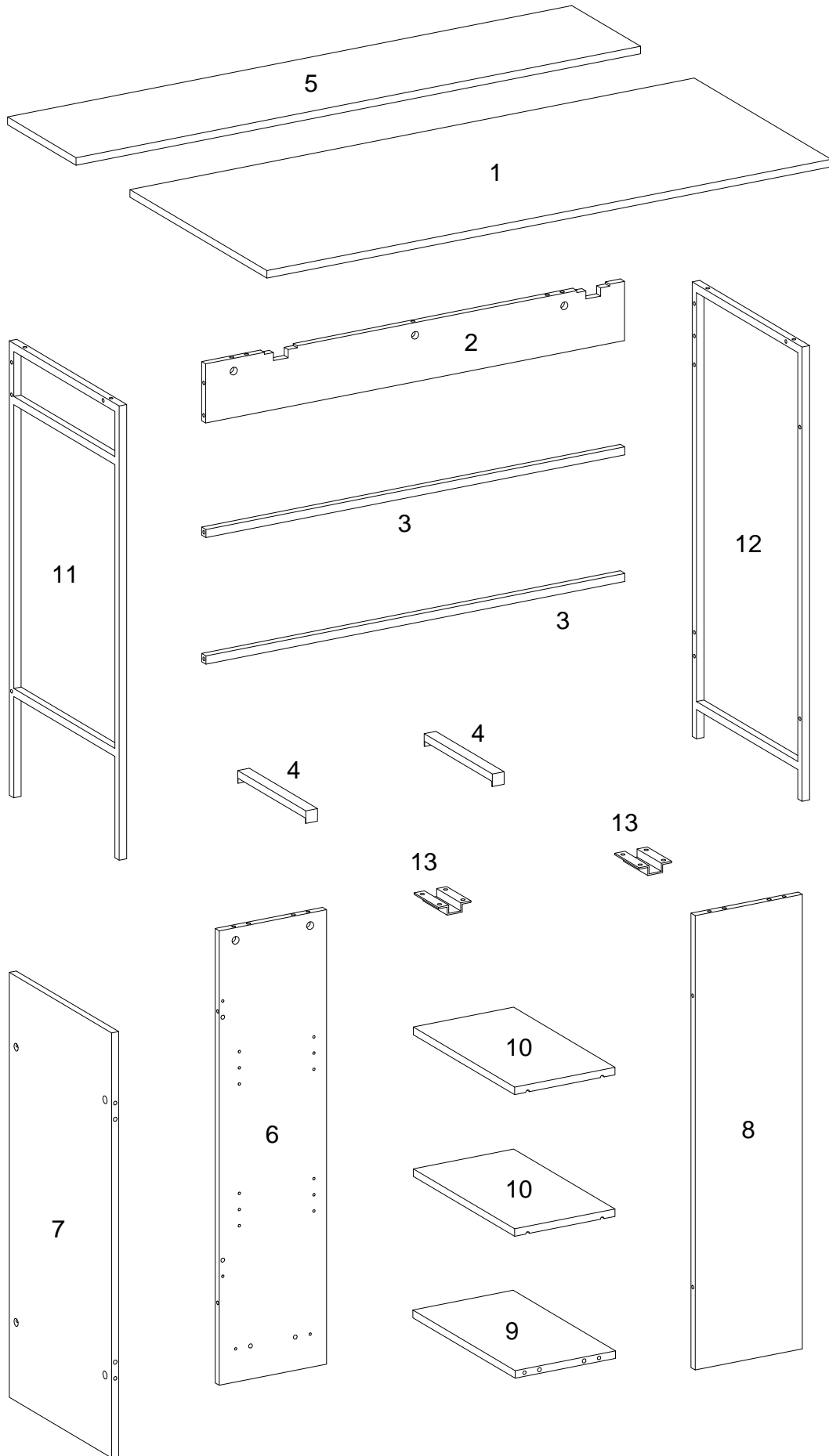


- VII. Power tools should not be used to assemble this product.










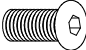


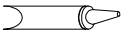



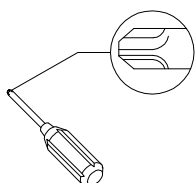
- VIII. Drill may be needed for securing product to wall.

# Parts List



# Hardware List

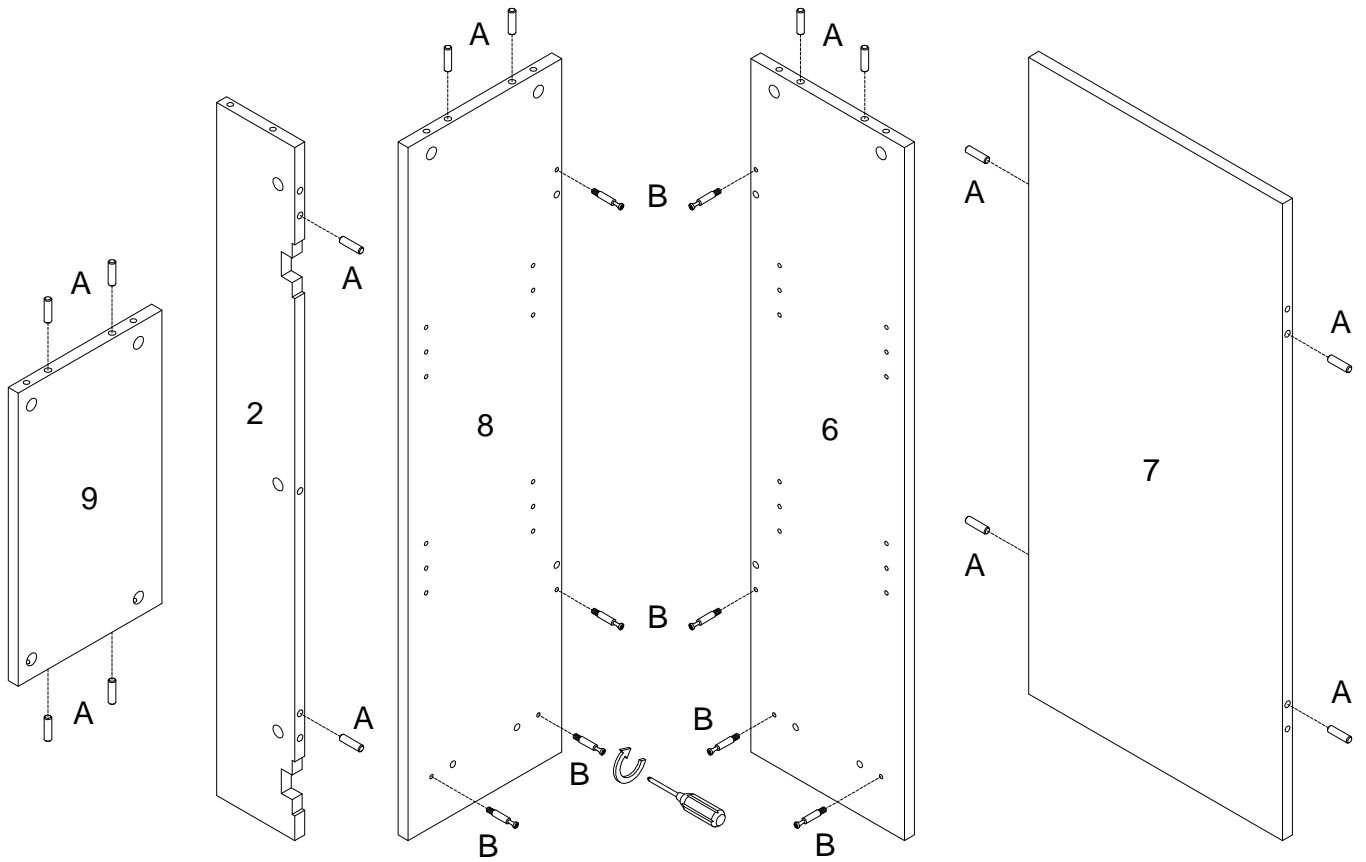
A		Ø8x30mm	Wooden dowel	14 pcs
B		Ø6x35mm	Cam bolt	15 pcs
C		Ø15x11mm	Cam lock	15 pcs
D		Ø30mm	Sticker	15 pcs
E			Hinge	3 pcs
F		Ø4x12mm	Screw	12 pcs
G		Ø6x50mm	Bolt	8 pcs
H			Shelf support pin	8 pcs
J			Rubber Pad	2 pcs
K		Ø1/4"x12mm	Bolt	8 pcs
M		Ø1/4"x25mm	Flat head Bolt	4 pcs
N		M 4	Hex key	1 pc
P			Glue tube	1 pc
Q		Ø1/4"x25mm	Bolt	4 pcs



Philips head screwdriver required for assembly  
(not included)

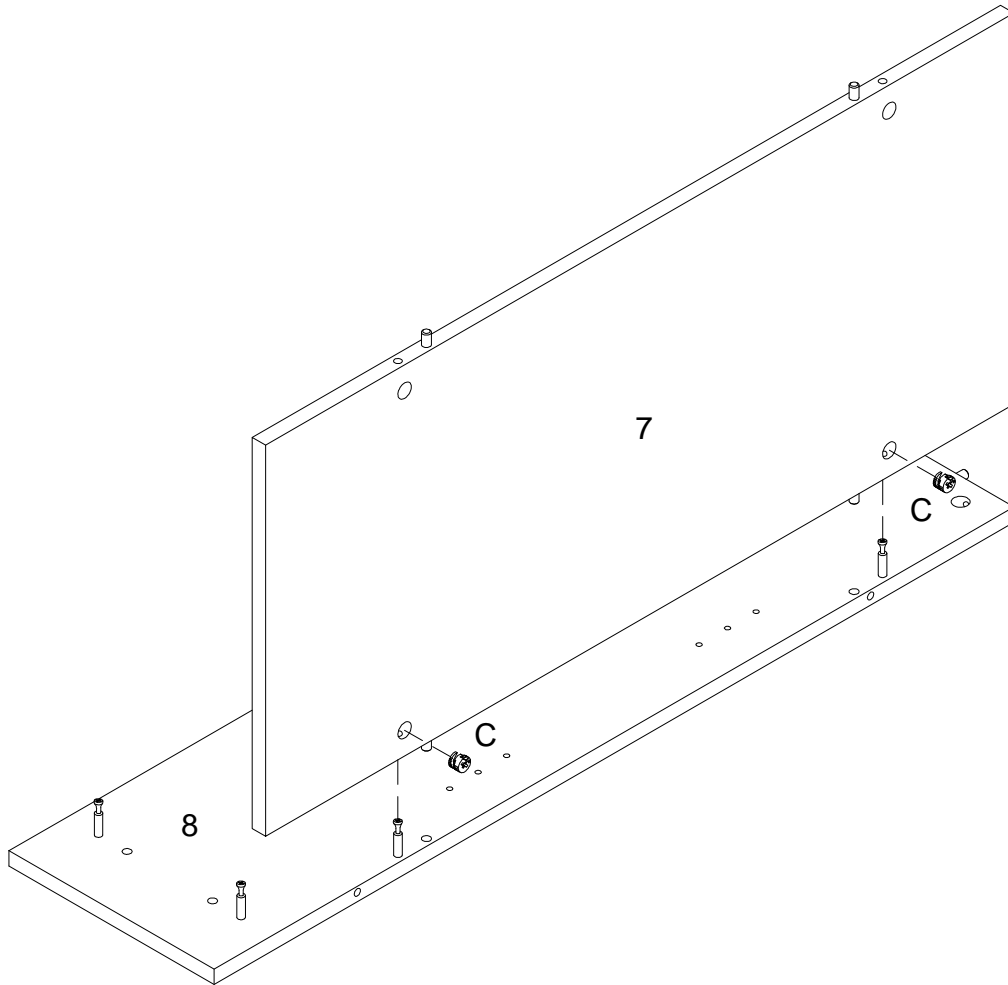
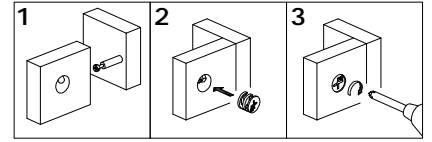
*The hardware quantities listed above are required for proper assembly.  
Some extra hardware may also have been included.*

# Step 1



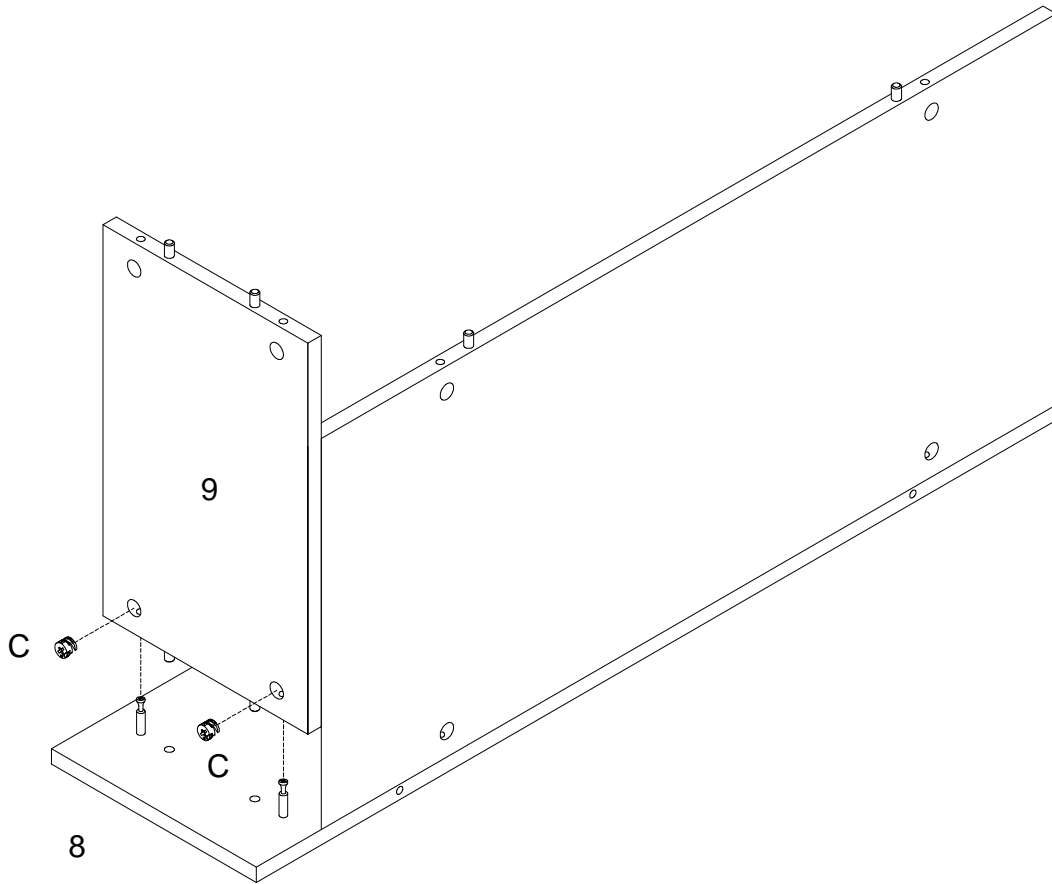
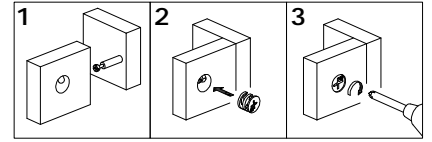
Insert wooden dowel (A) into parts (2,6,7,8,9), then using cam bolt (B) secure parts (6,8) with Philips head screwdriver as per diagram.

# Step 2



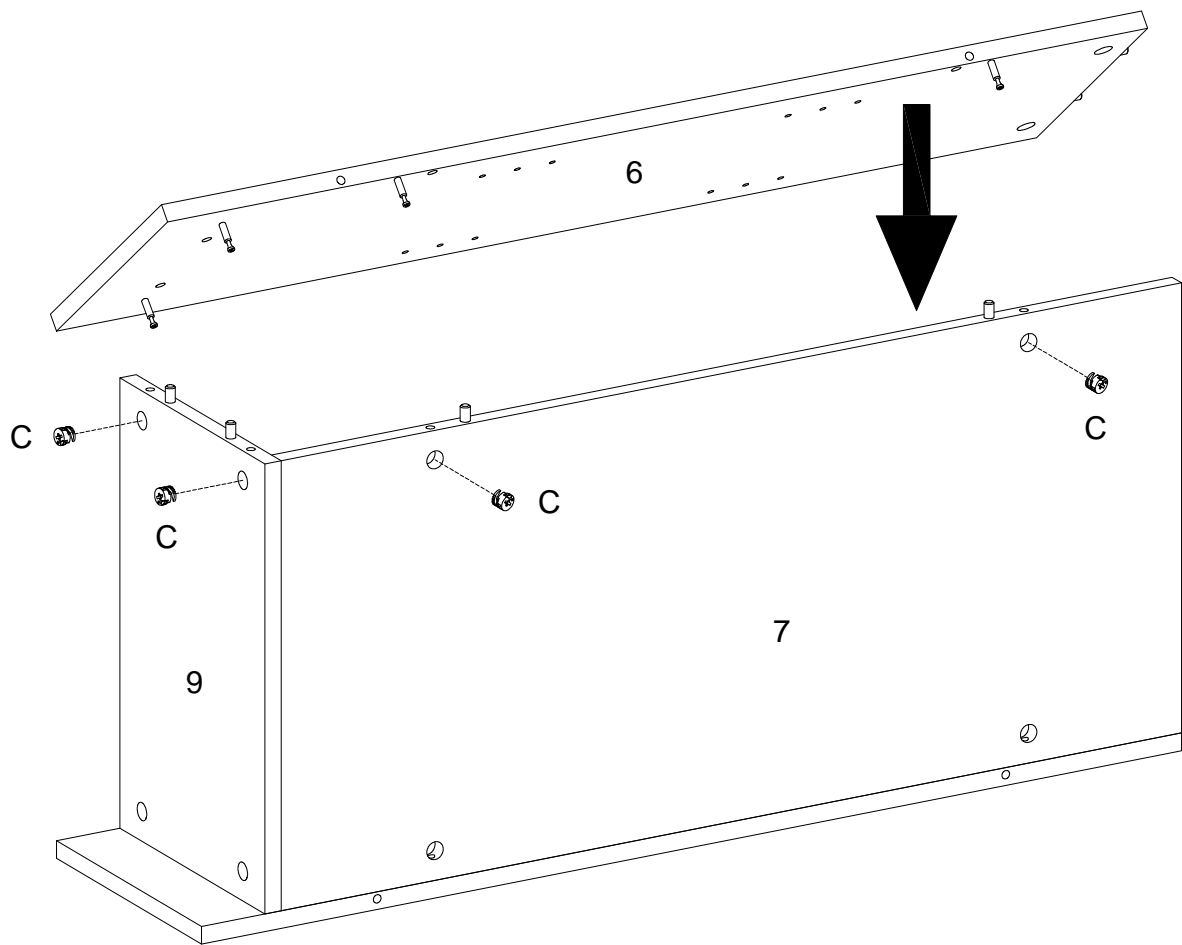
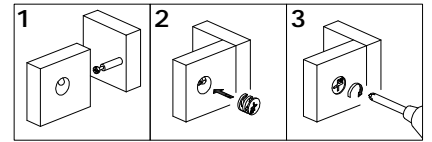
Using cam lock (C) secure part (7) into part (8) with Philips head screwdriver.

# Step 3



Using cam lock (C) secure part (9) into part (8) with Philips head screwdriver.

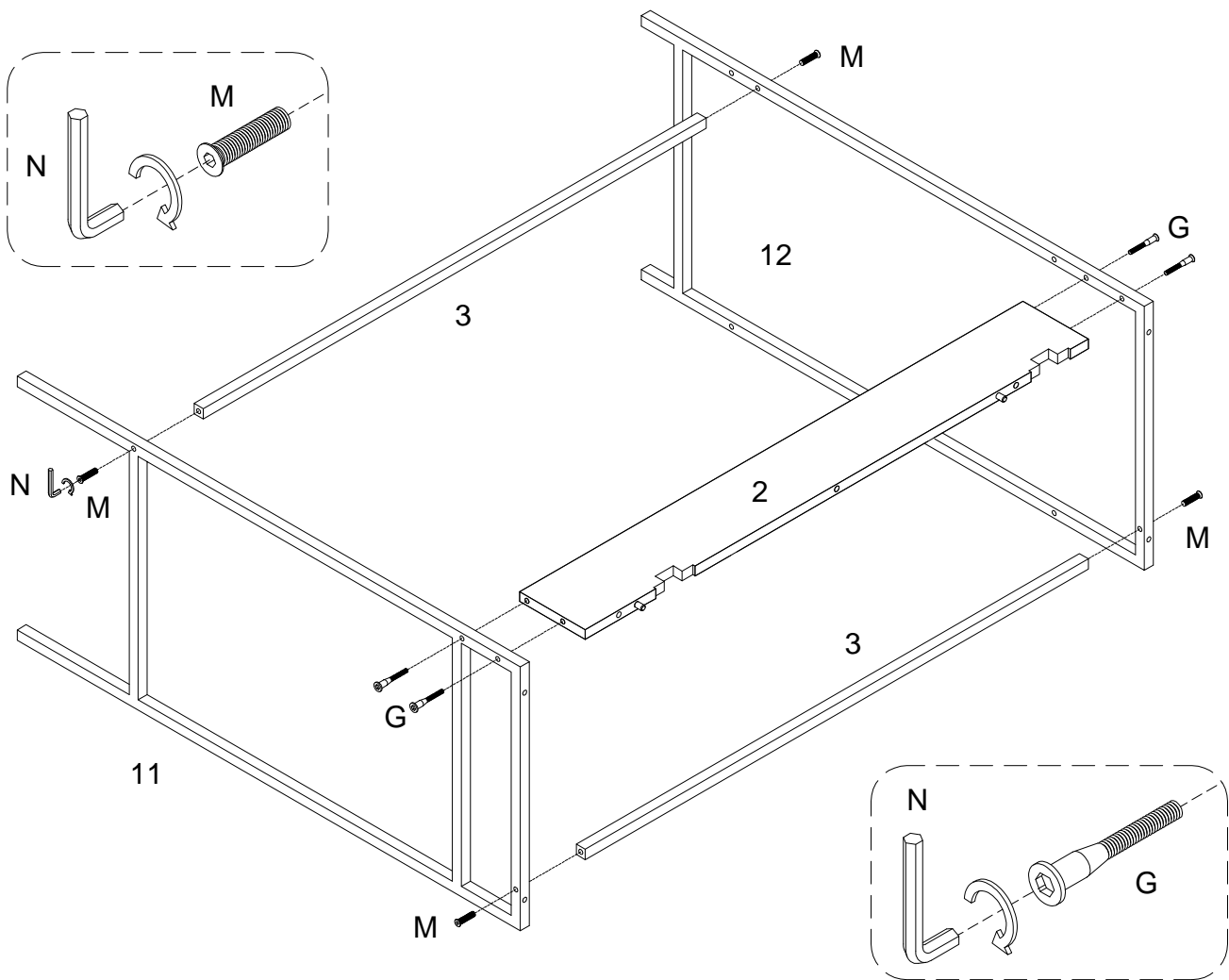
# Step 4



Using cam lock (C) secure part (6) into parts (7,9) with Philips head screwdriver.

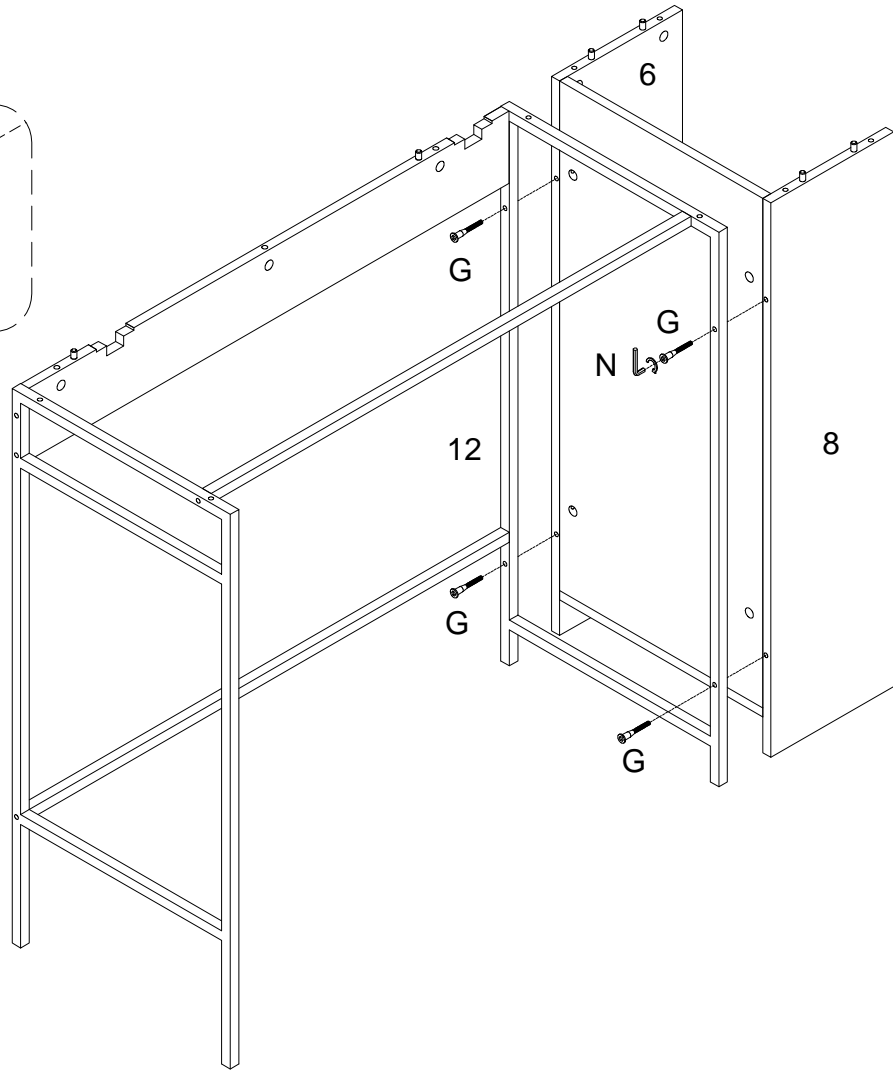
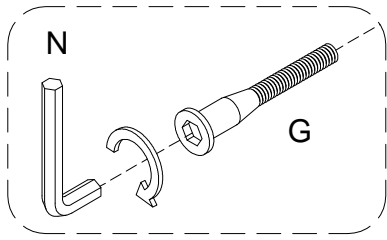


# Step 5



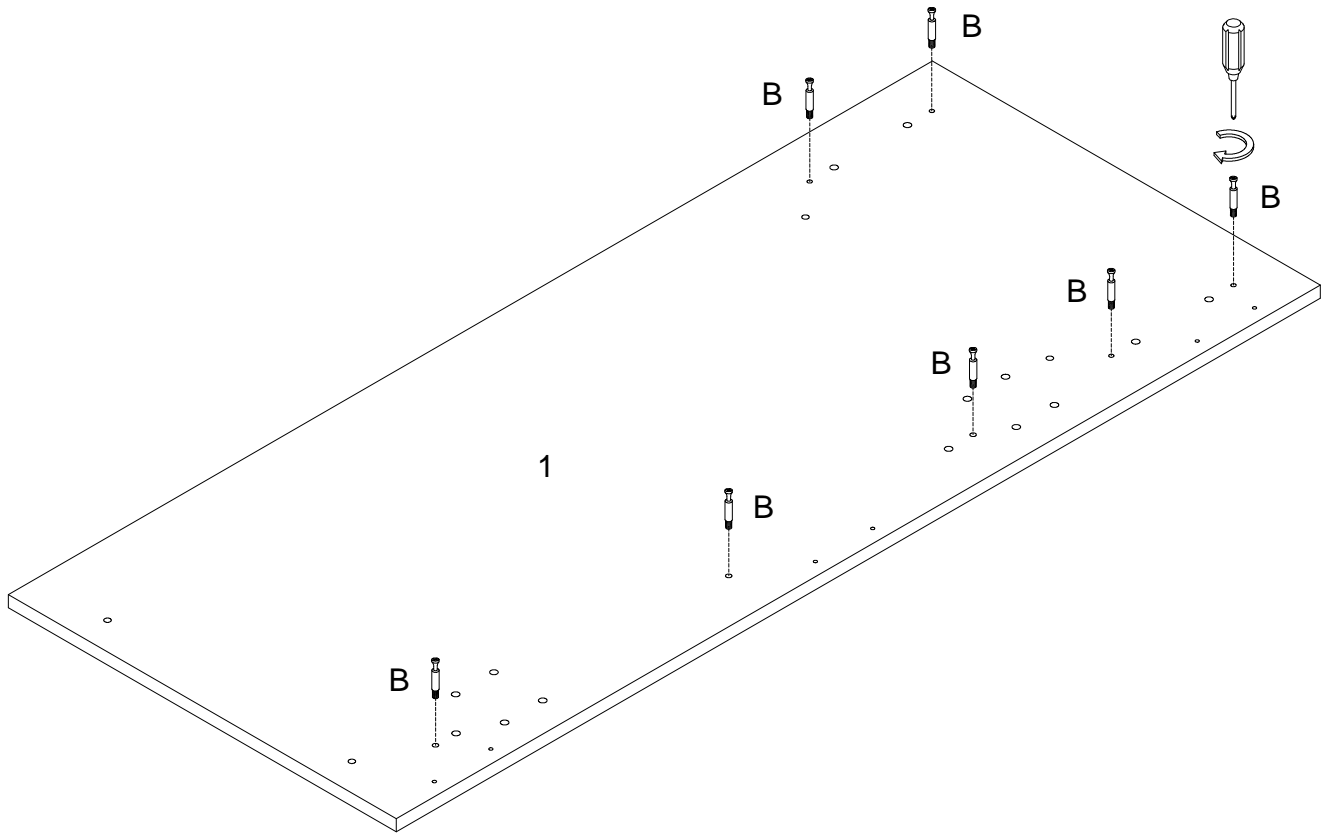
Using bolt (M) attach parts (3) into parts (11,12) ,use bolt (G) attach part (2) into parts (11,12)with hex key (N) as per diagram.

# Step 6



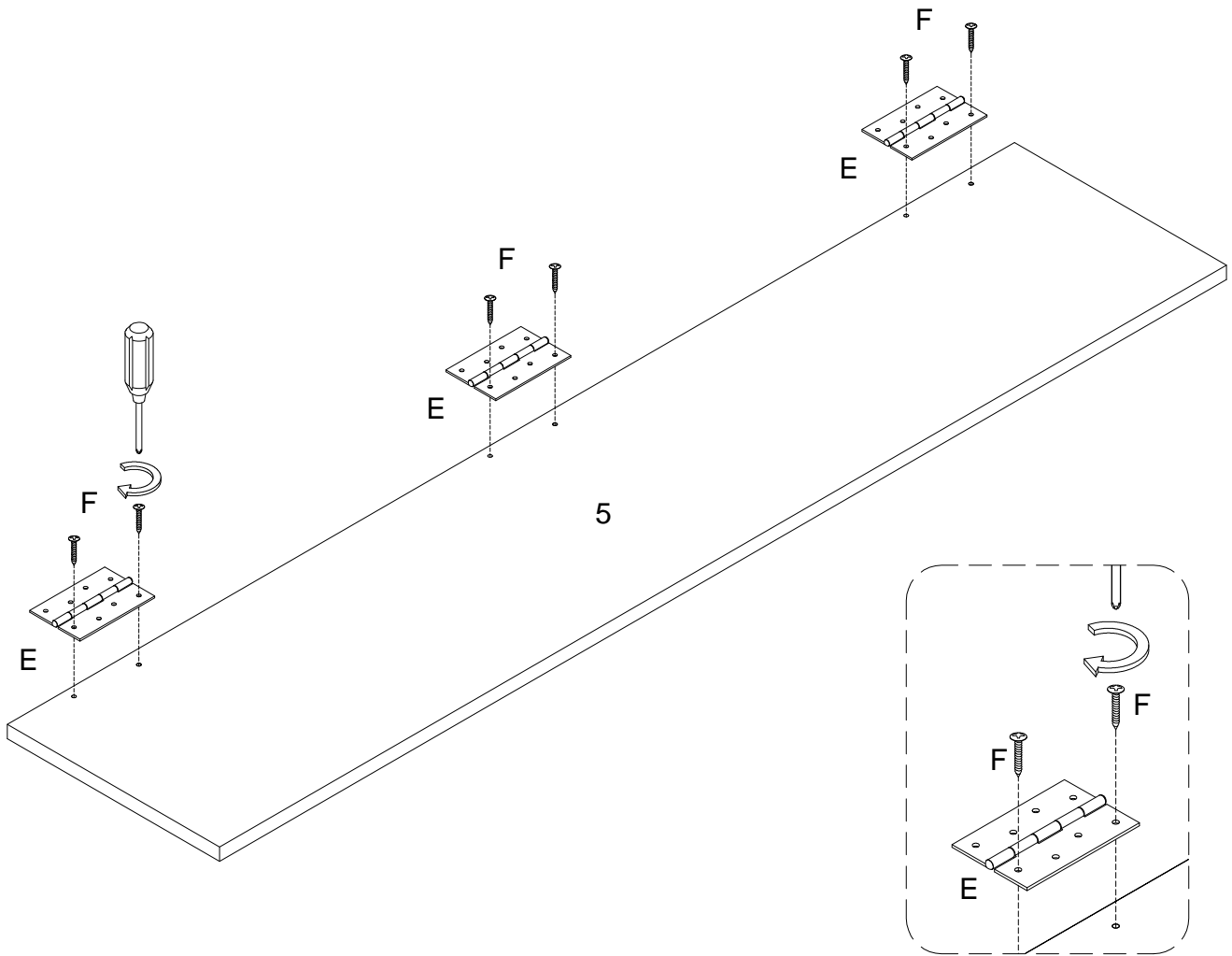
Using bolt (G) attach part (12) into parts (6,8) with hex key (N) .

# Step 7



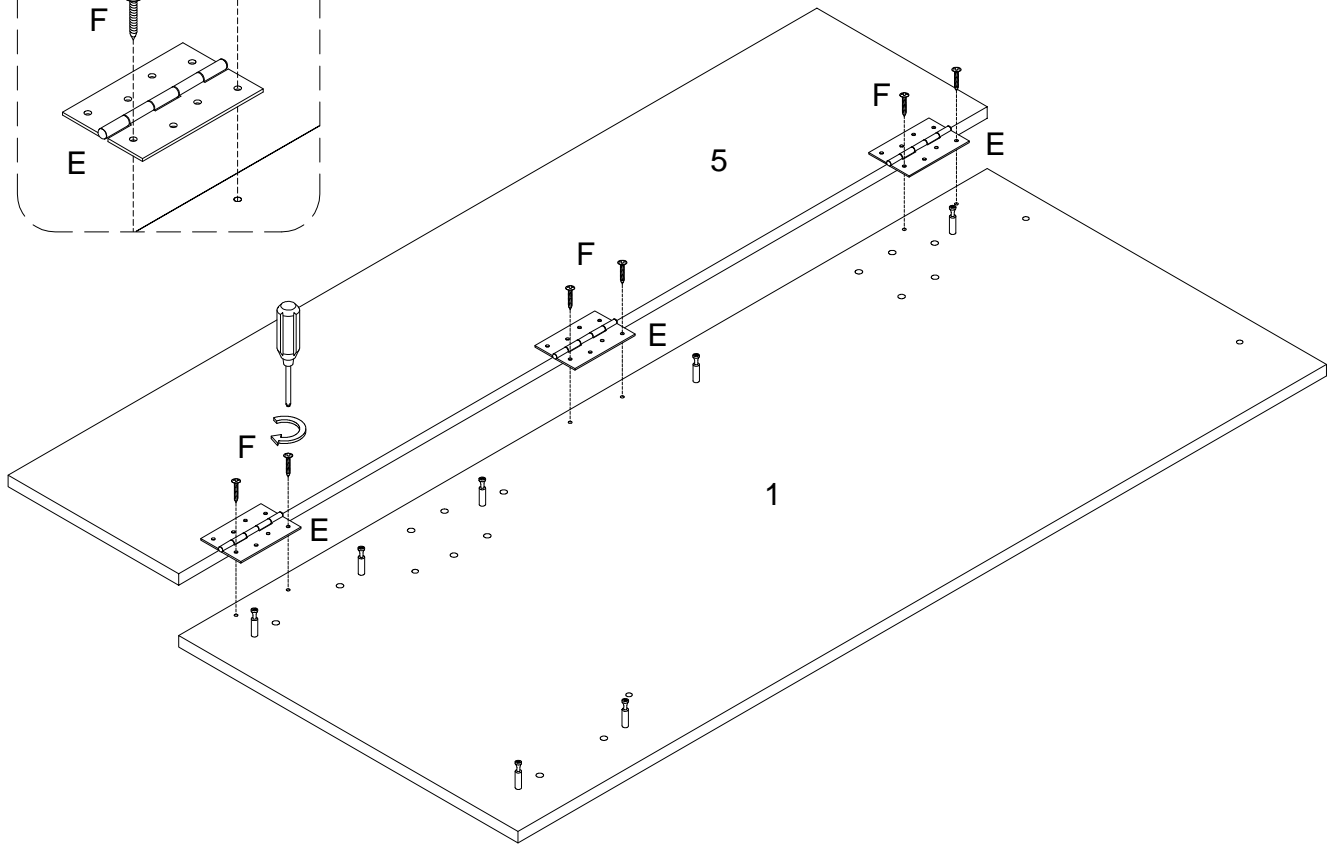
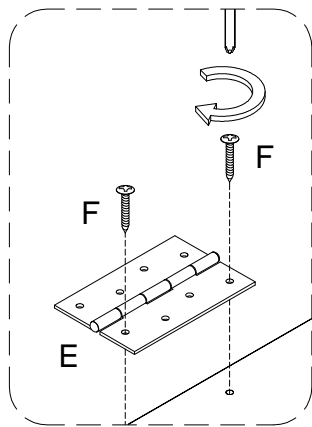
Using cam bolt (B) secure part (1) with Philips head screwdriver.

# Step 8



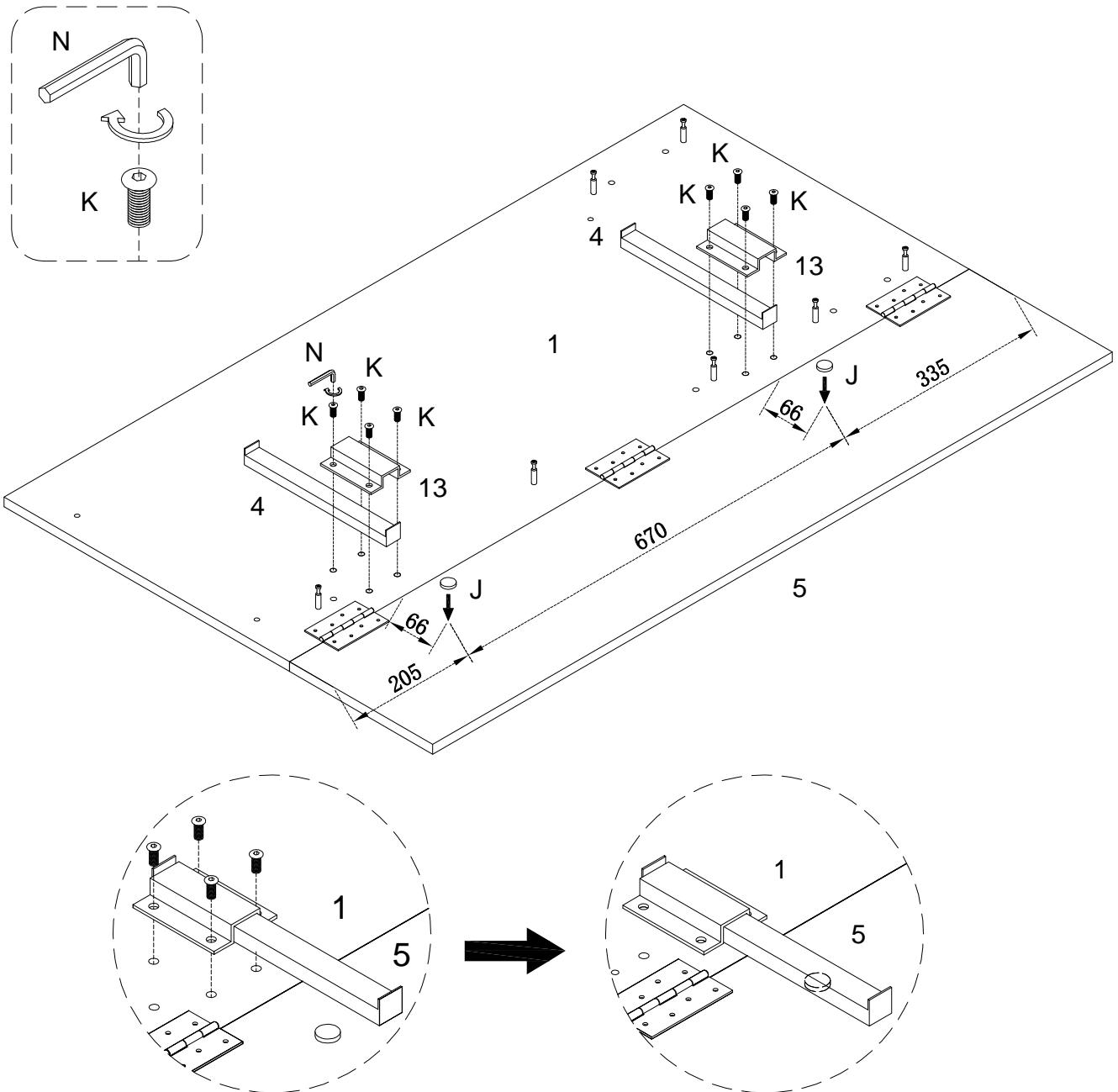
Using screw (F) attach hinge (E) into part (5) with Philips head screwdriver as per diagram .

# Step 9



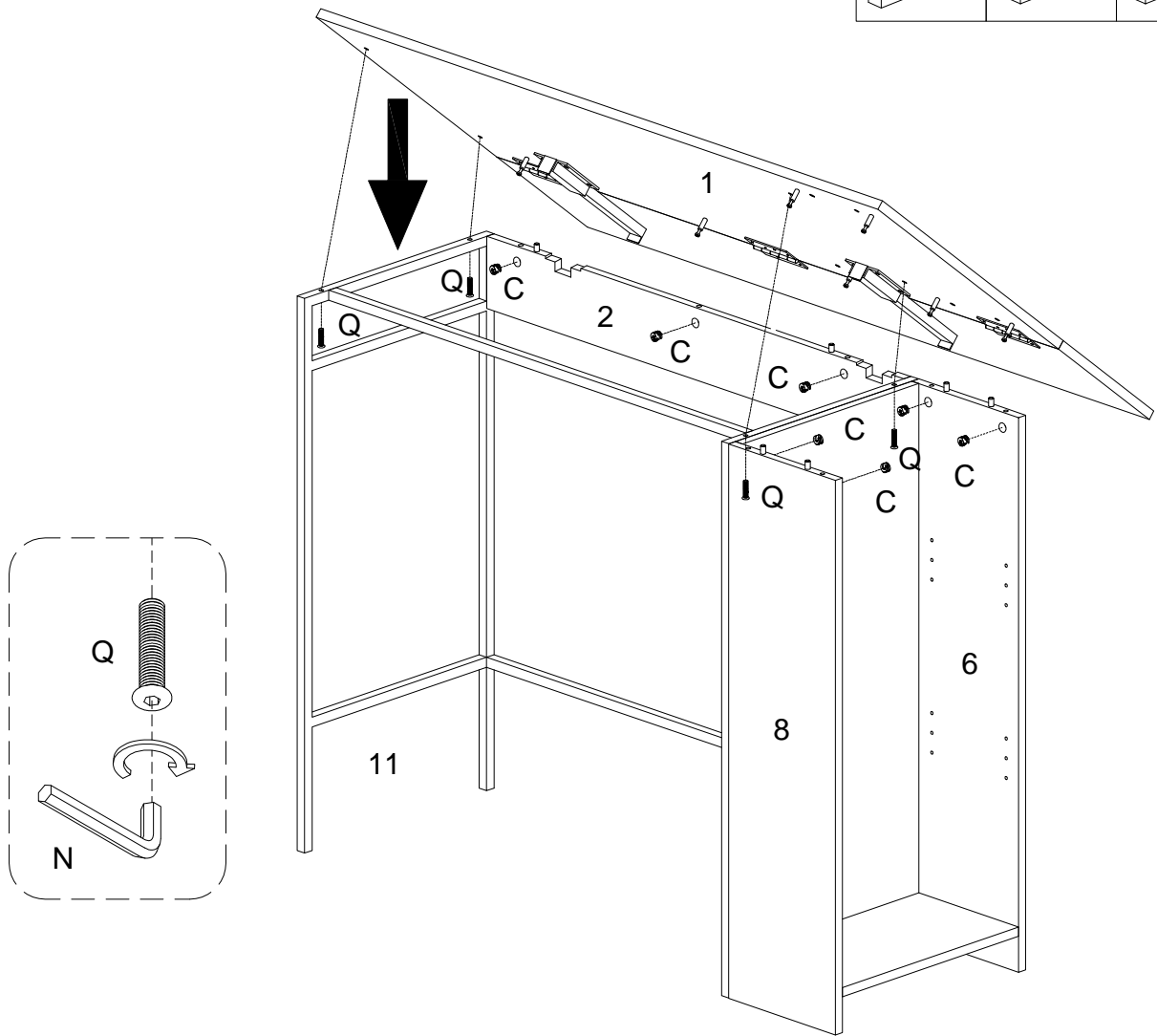
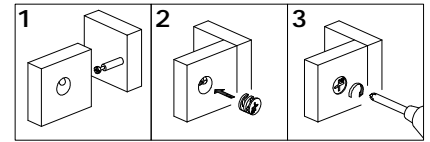
Using screw (F) attach hinge (E) into part (1) with Philips head screwdriver as per diagram .

# Step 10



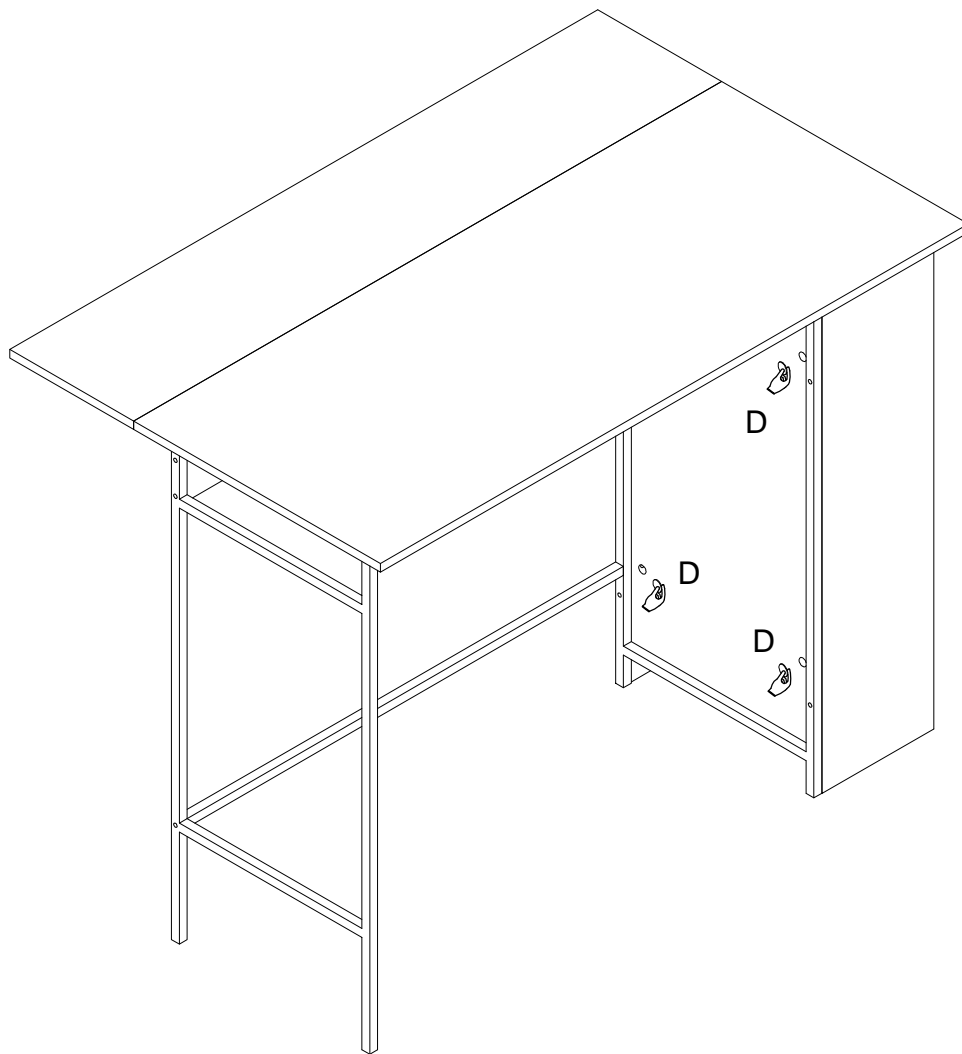
Attach rubber pad (J) on part (5) as the diagram .please keep the rubber (J) and part (4) in the same line .In this way when you pull out the leaf support (4).it could be on the rubber pad (J). Using part (13) cover part (4).then use bolt (K) secure part (13) to part (1) with hex key (N) as per diagram.

# Step 11



Using bolt (Q) secure part (1) into part (11,12) with hex key (N) , then using cam lock (C) secure part (1) into parts (2,6,8) with Philips head screwdriver as per diagram.

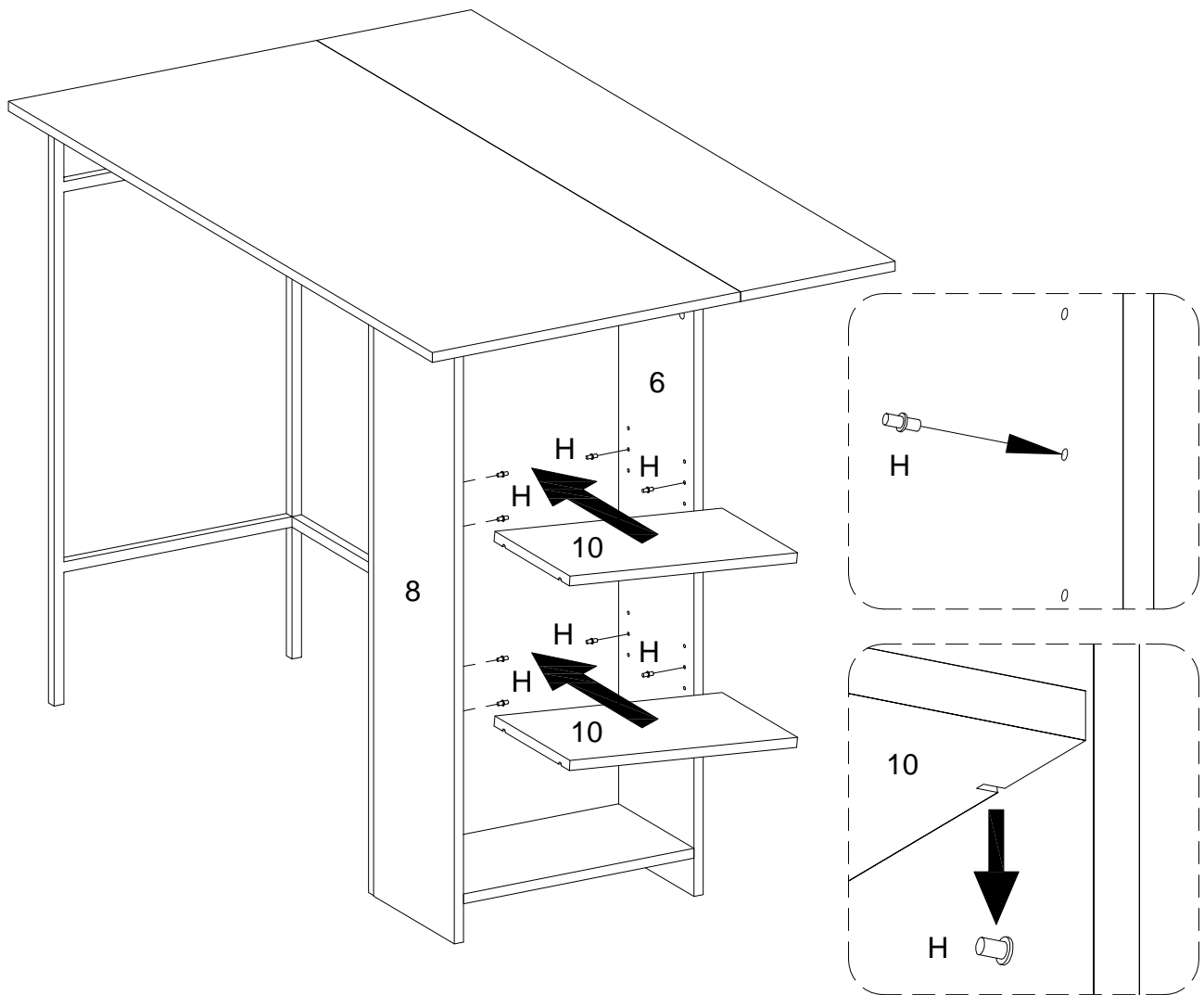
# Step 12



Place sticker (D) cover the holes as per diagram.

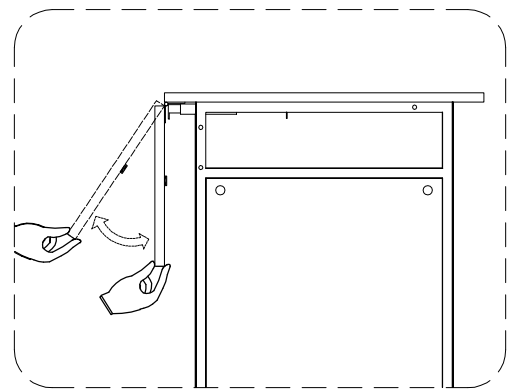
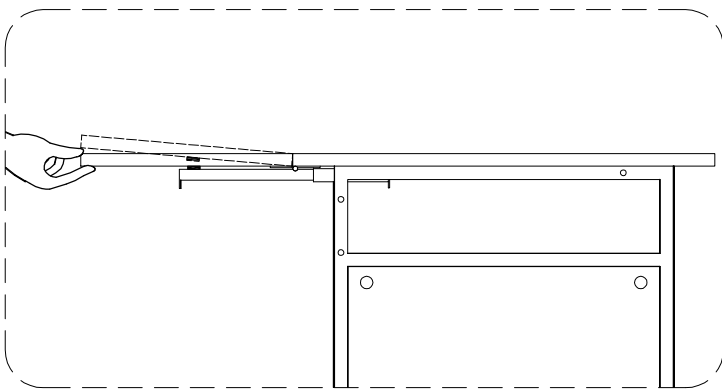
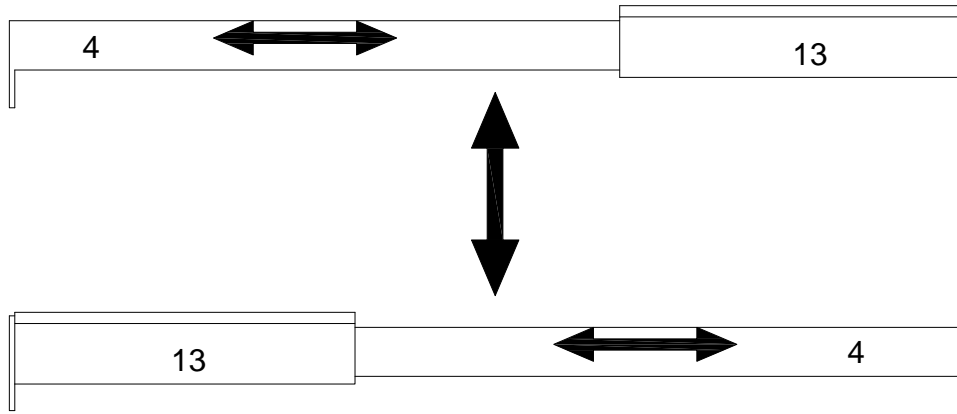


# Step 13



Insert shelf support pins (H) into parts (6,8) ,make sure you place the four support pins (H) in the same level so the shelf is not tilted .Then put part (10) into parts (6,8) as per diagram,tilt and rest the adjustable shelves (10) onto the shelf support pins (H) .

## Step 14

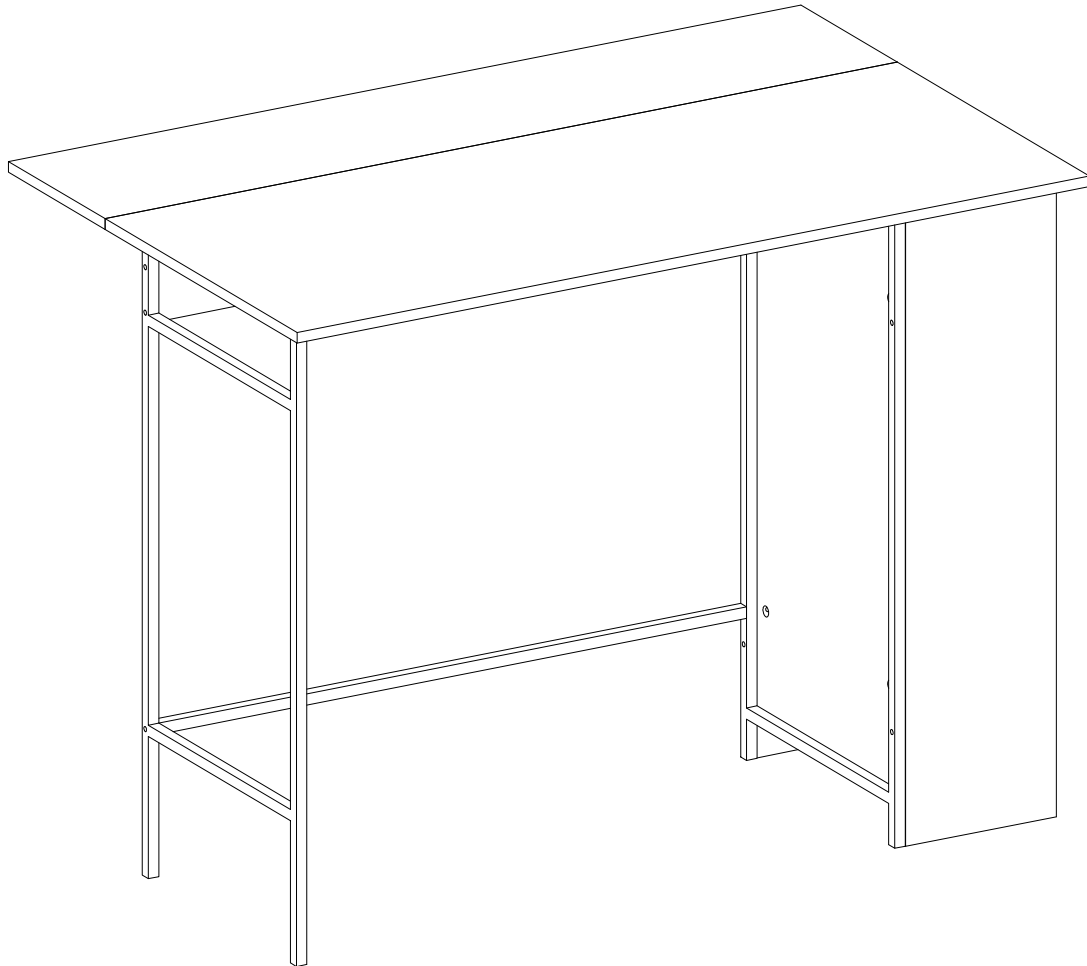


Note : If you want to open the leaf ,please lift up the leaf as shown.

Hold it .then fully pull out the two leaf support and keep them on the rubber pad

If you want to close the leaf .please lift up the leaf slightly and hold it.push the two leaf supports off .Then lay down the leaf slowly .

# Step 15



## Final Assembly