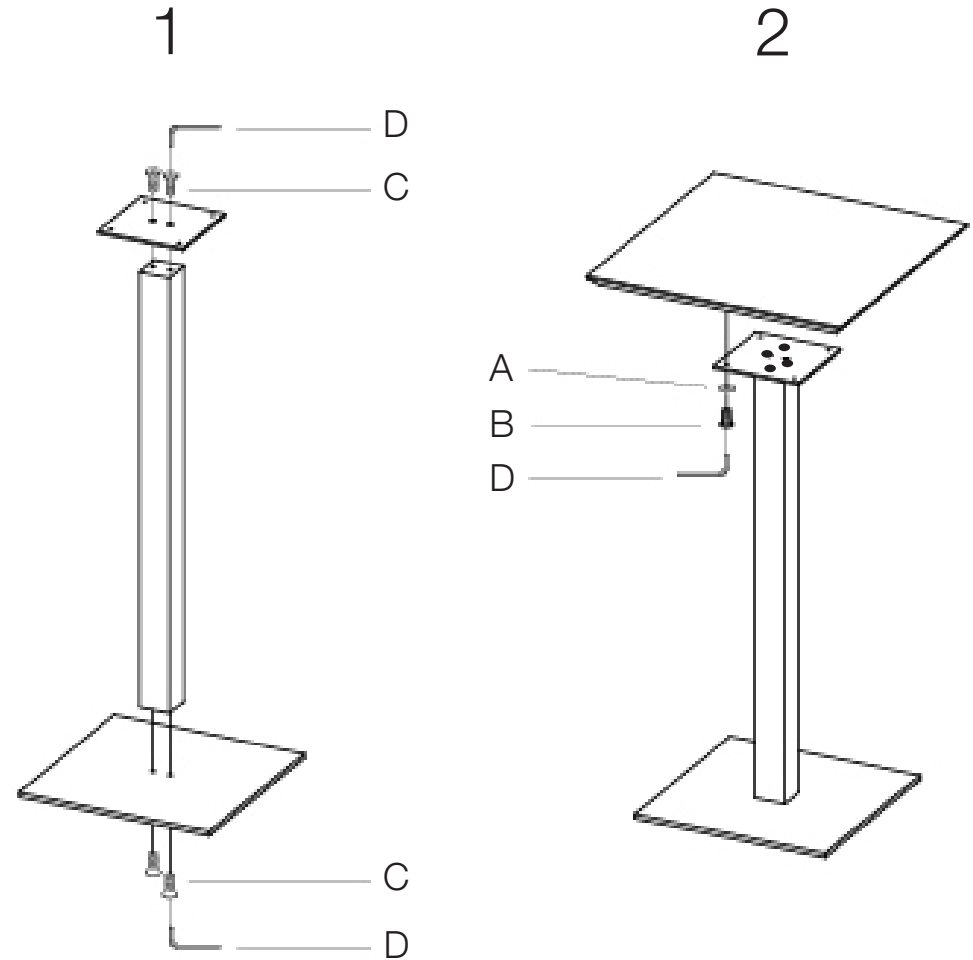


Assembly Instructions ELODIE-B Bar Table

PLEASE NOTE: Check that you have received all components and hardware before assembling. If you are missing any parts, contact your retailer.



A (4 PCS)



B (4 PCS)
M8-1.25 X 20mm



C (4 PCS)
M8-1.25 X 20mm



D (1 PC)
5mm

During assembly, hand tighten screws only. When the screws are in place, tighten completely.