

MADISON PARK ASSEMBLY INSTRUCTIONS

Description: Cirque 26" Stool

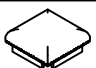
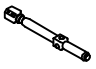

Important safety instructions:

- Please carefully read all instructions before assembling the stool.
- For your safety and ease, assembly by two or more adults is recommended.
- Keep instructions for future use.





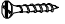
Pre-assembly:

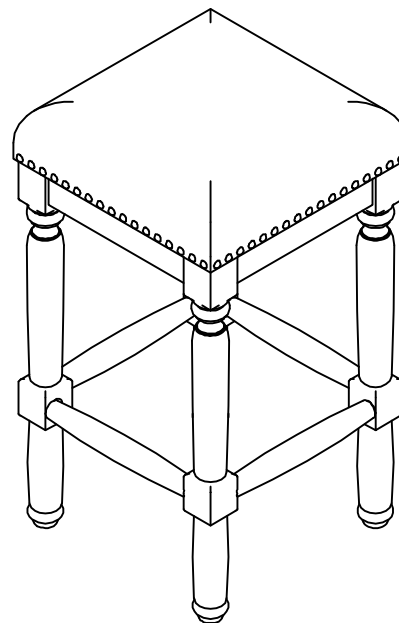
- Do not discard any contents until after assembly is complete to avoid accidentally discarding small parts or hardware.
- Remove all parts and hardware from box along with any plastic protective packaging.

Parts List

Item	Description	QTY
A	Seat Cushion 	1
B	Legs 	4
C	Stretchers 	4

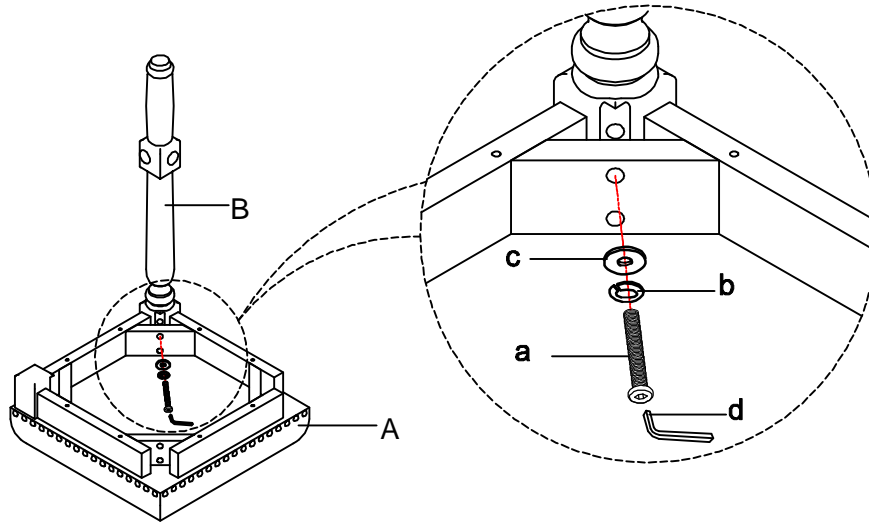
Hardware List

Item	Description	QTY
a	Bolts Ø5/16"*2-1/2" 	8
b	Lock Washers 5/16" 	8
c	Flat Washers 5/16" 	8
d	Allen Wrench 5/16" 	1
e	Wood Screws 8#*1-1/2" 	8

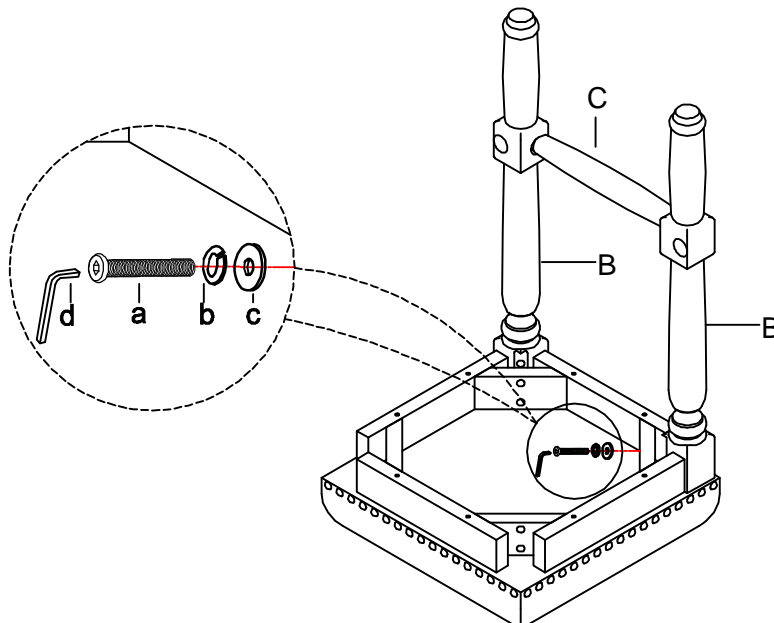


Assembly Procedures:

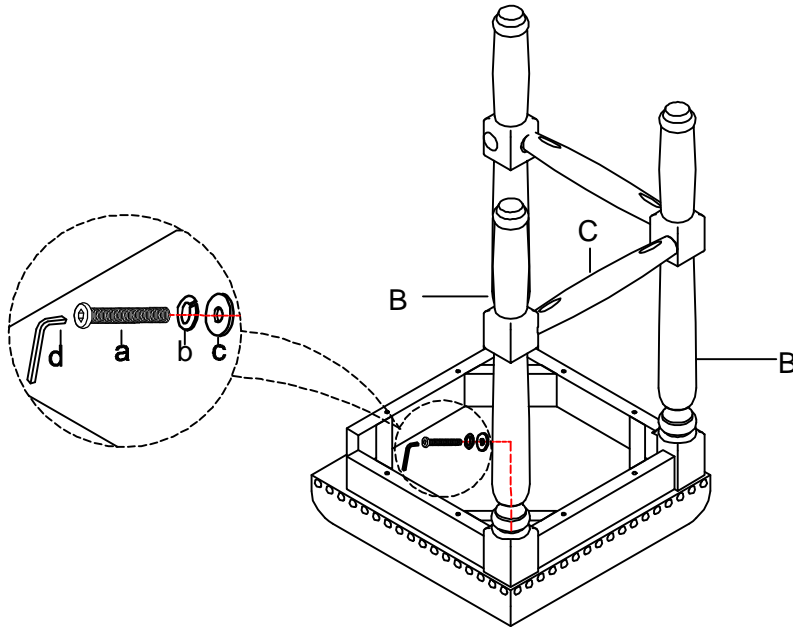
Step 1. Turn over the cushion (A) on a flat, soft surface such as a carpet or cloth to prevent scratching the finish. Attach the leg (B) to the seat cushion (A) using bolt (a), lock washer (b) and flat washer(c) . Loosely tighten with Allen wrench (d).



Step 2. Insert stretcher (C) between the two legs (B), then attach second leg (B) to seat cushion by using bolt (a), lock washer (b) and flat washer (c), loosely tighten with allen wrench (d).

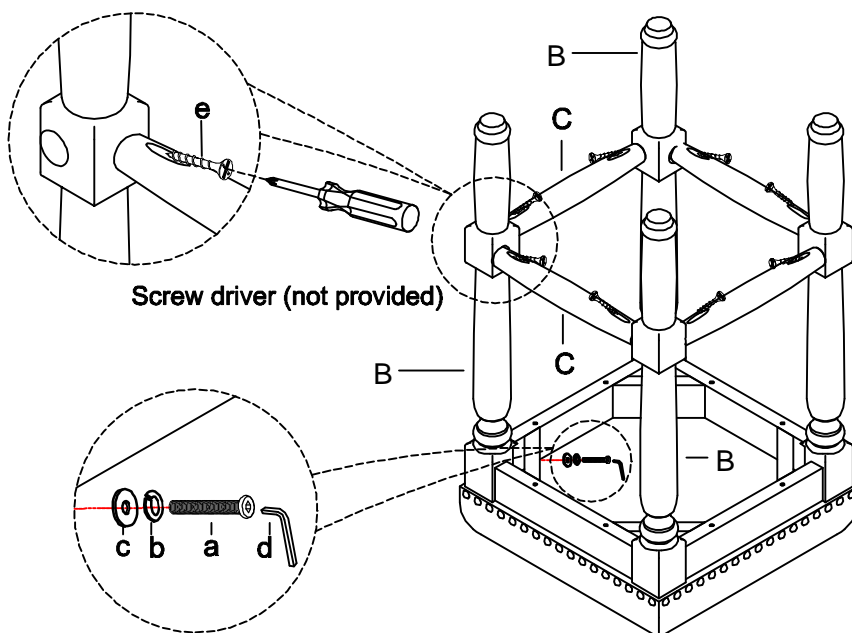


Step 3. Insert second stretcher (C) between the two legs (B), then attach third leg (B) to seat cushion by using bolt (a), lock washer (b) and flat washer (c), loosely tighten with allen wrench(d).



Step 4.

- 1) Insert two stretchers (C) to the legs (B), then attach last leg (B) to seat cushion by using bolt (a), lock washer (b) and flat washer (c), loosely tighten with Allen wrench (d).
- 2) Securely tighten all bolts with Allen wrench (d).
- 3) Tighten screws (e) through the stretchers (C) to the legs (B) with screw driver (not provided).



Thank you for your purchase