

ASSEMBLY INSTRUCTIONS

Description: Counter Stool




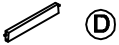



Important safety instructions:

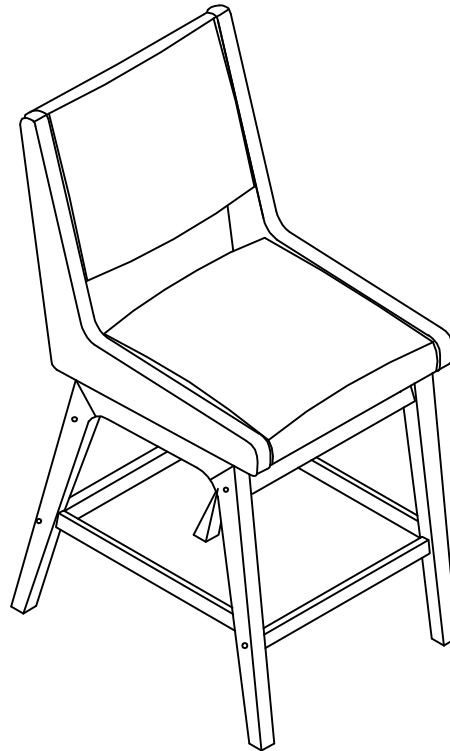
- Please carefully read all instructions before assembling the counter stool.
- For your safety and ease, assembly by two or more adults is recommended.
- Keep instructions for future use.

Pre-assembly:








- Do not discard any contents until after assembly is complete to avoid accidentally discarding small parts or hardware.
- Remove all parts and hardware from box along with any plastic protective packaging.

Parts List

Item	Description	QTY
A	Counter Stool Top 	1
B	Left Leg 	1
C	Right Leg 	1
D	Front Top Rail 	1
E	Front stretcher 	1
F	Back Top Rail 	1
G	Back stretcher 	1

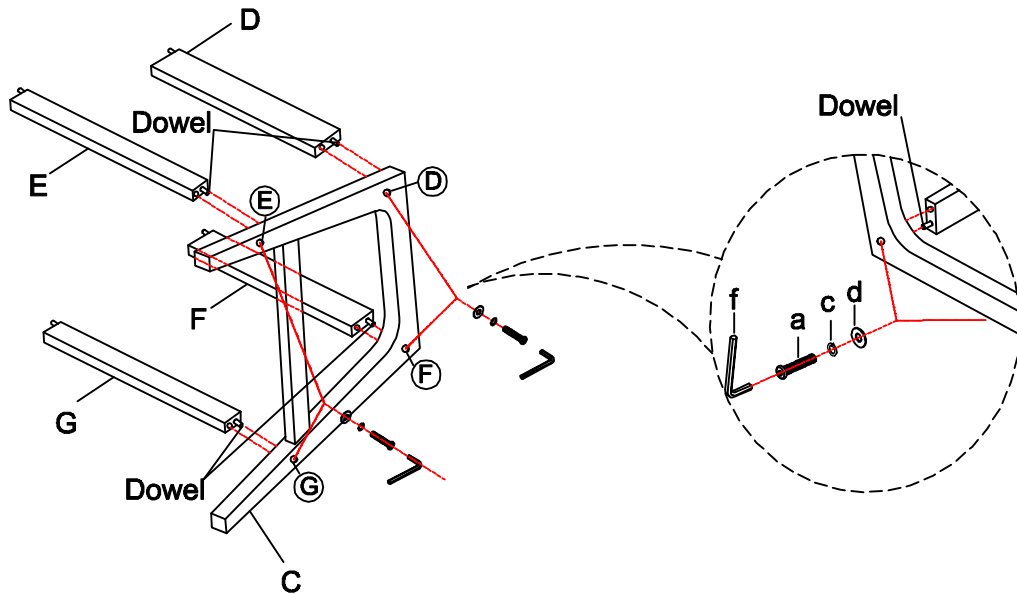


Hardware List

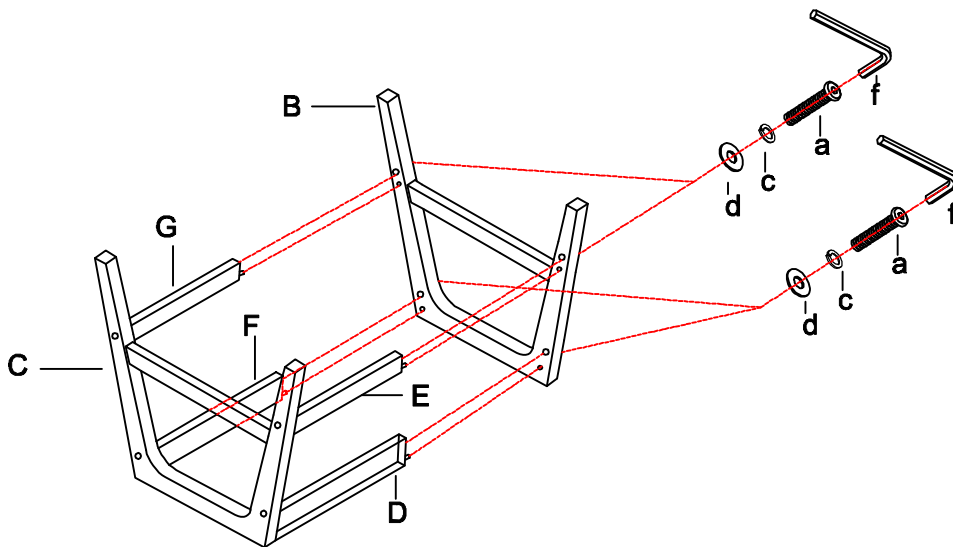
Item	Description	QTY
a	Bolts Ø1/4"*1-1/4" 	8
b	Bolts Ø1/4"*2" 	4
c	Lock Washers 1/4" 	12
d	Flat Washers 1/4"(12mm) 	8
e	Flat Washers 1/4"(19mm) 	4
f	Allen Wrench 1/4" 	1
g	Wooden Plugs 	8

Assembly Procedures:

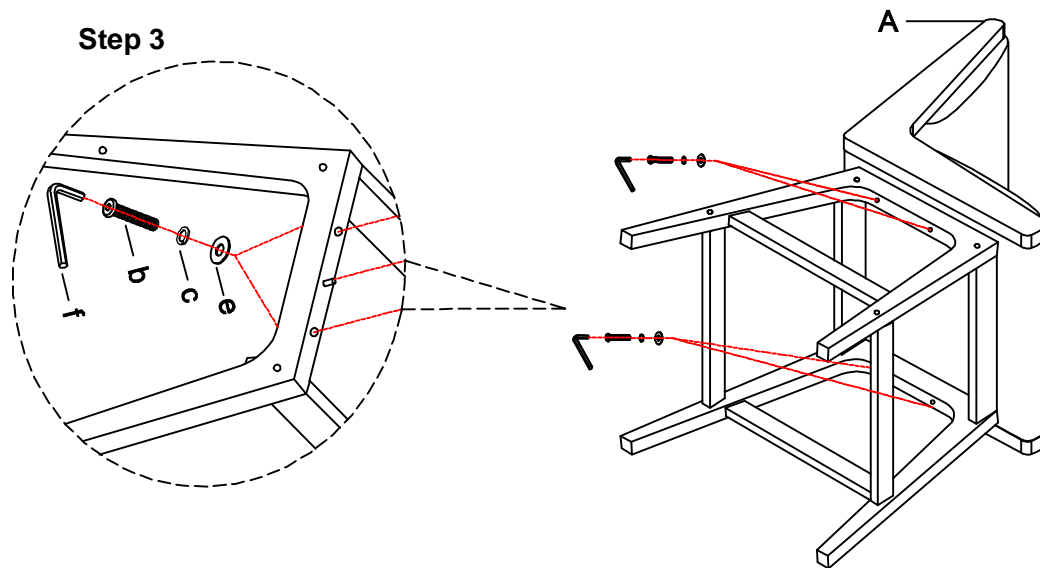
Step 1. Assemble the counter stool on a flat, soft surface such as a carpet or cloth to prevent scratching the finish. Attach the top rails (D, F) and stretchers (E, G) to the right leg (C) according the labels (D, F, E, G) on each rail, each stretcher and the holes of right leg (C) and using bolts (a), lock washers (c) and flat washers (d). Loosely tighten the bolts with Allen wrench (f).



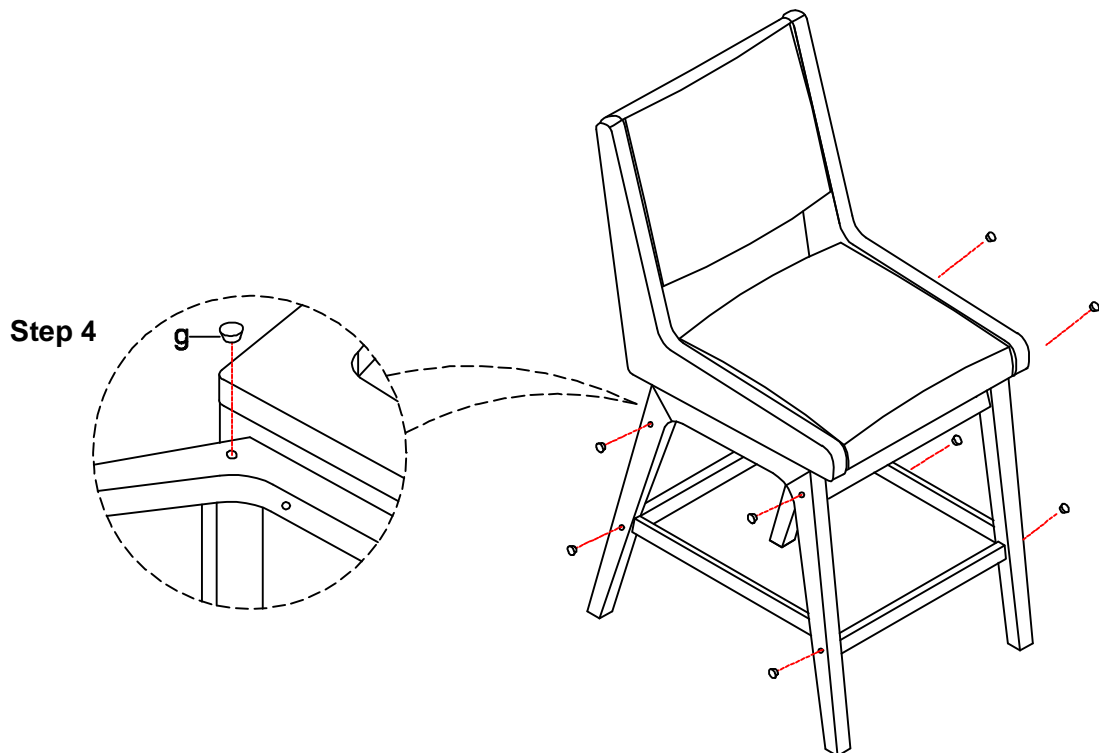
Step 2. Repeat the step 1 to attach the left leg (B) to the rails and stretchers (D,E,F,G) using bolts (a), lock washers (c) and flat washers (d). Securely tighten all bolts by Allen wrench (f), but do not over tighten the bolts.



Step 3. Attach the assembled base to the bottom of the chair top (A) to using bolts (b), lock washers (c) and flat washers (e). Securely tighten all bolts by Allen wrench (f), but do not over tighten the bolts.



Step 3. Insert wood plugs (g) over exposed screw holes, cover with cloth and strike softly with hammer until plug is flush with wood surface. Assembly is complete.



Thank you for your purchase