

# LANCASTER COUNTER STOOL WITH BACK

*Assembly instructions:*

**PARTS LIST**

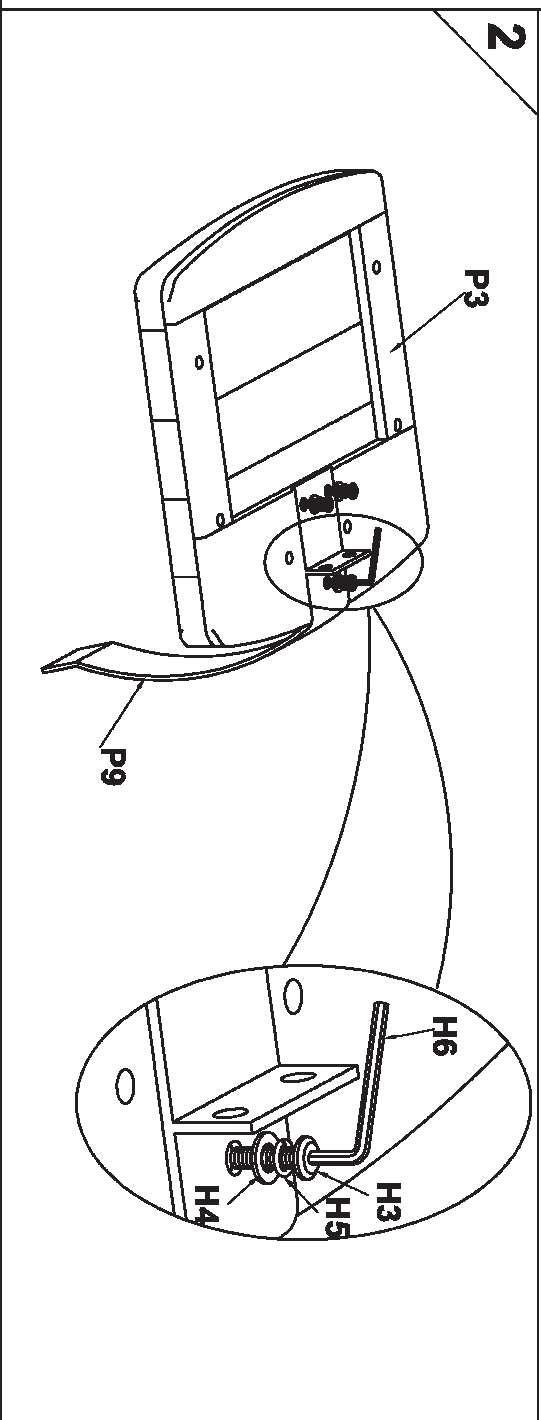
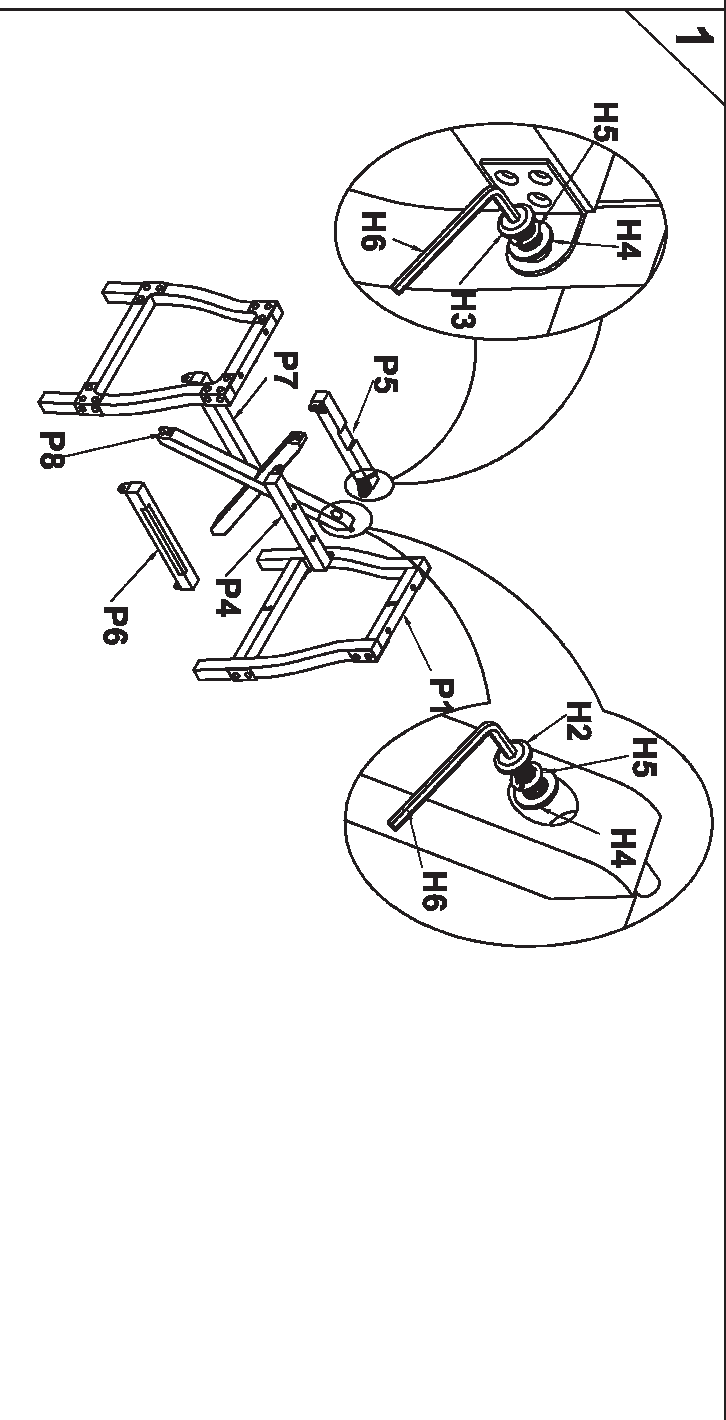
No.	DESCRIPTION	IMAGE	QTY
P1	LEG FRAMES		2
P2	BACK REST		1
P3	SEAT PANEL		1
P4	SEAT FRONT RAIL		1
P5	SEAT BACK RAIL		1
P6	FRONT STRETCHER		1
P7	BACK STRETCHER		1
P8	STRETCHER FRAME		1
P9	METAL SUPPORT BAR		1

**HARDWARE LIST**

No.	DESCRIPTION	IMAGE	QTY
H1	LONG BOLT Ø8x50		6
H2	MEDIUM BOLT Ø8x35		4
H3	SHORT BOLT Ø8x20		16
H4	FLAT WASHER Ø8x18		26
H5	SPRING WASHER Ø8x14		26
H6	ALLEN KEY		1

**NOTE:** PO# is located underneath/ inside of each item. Please be prepared to provide this # should any claim be necessary.

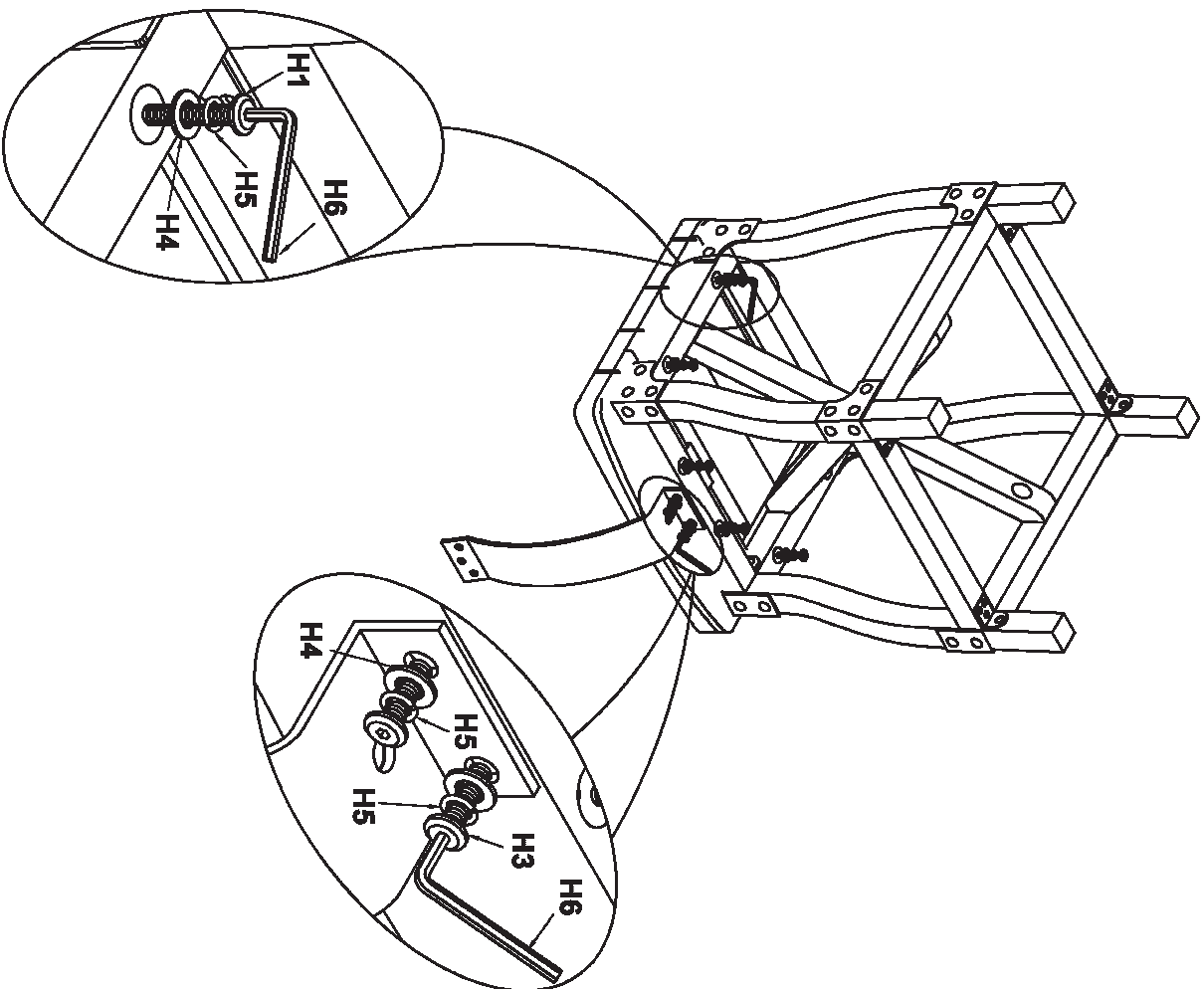
**Estimate assembly time: 12 minutes**



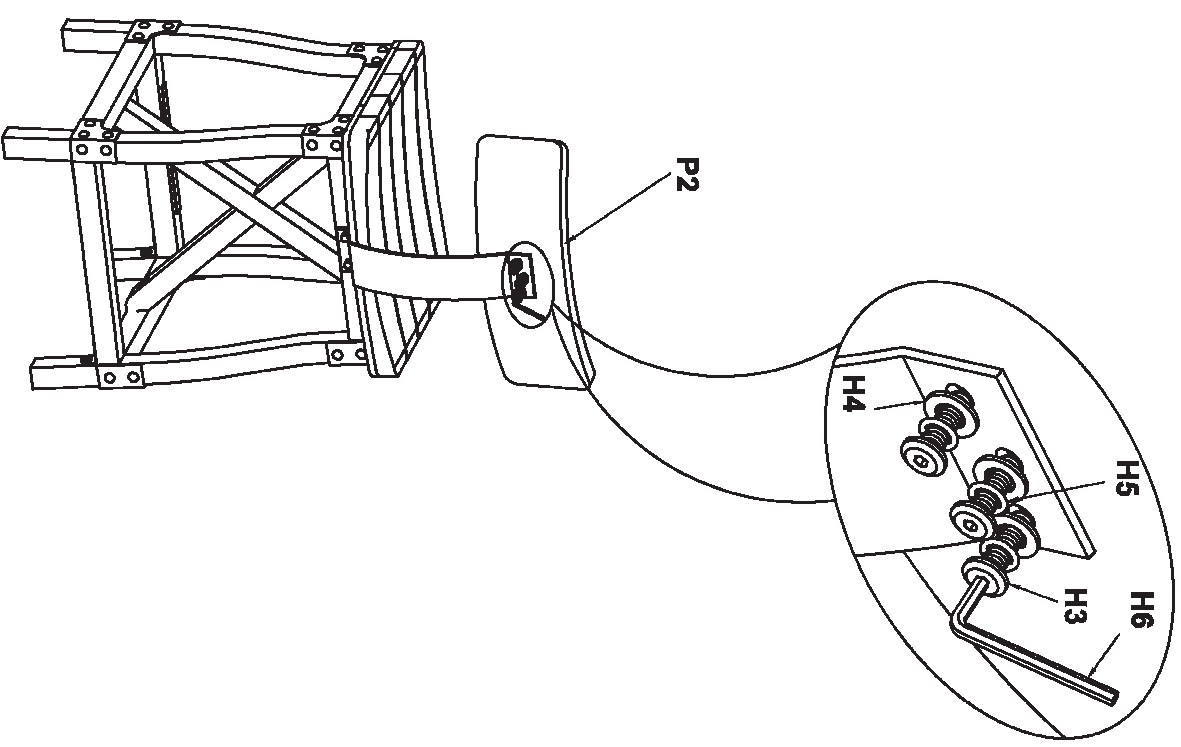
# LANCASTER COUNTER STOOL WITH BACK

*Assembly instructions:*

3



4



**ASSEMBLY COMPLETED**