







**Important safety instructions:**

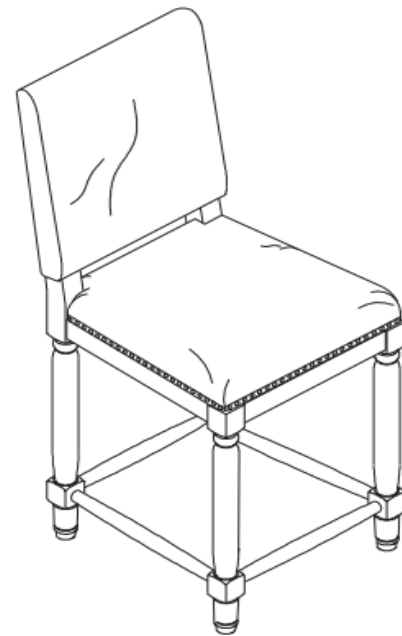
- Please read carefully all instructions before assembling the stool.
- For your safety and ease, assembly by two or more adults is recommended.
- Keep instructions for future use.

**Pre-assembly:**







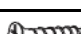
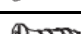

- Do not discard any content until assembly completed to avoid accidentally discarding small parts or hardware.
- Take out all parts and hardwares from box.

**Parts List**

Item	Description		QTY
A	Chair Back		1
B	Seat Cushion		1
C	Seat Frame		1
D	Front Legs		2
E	Short Stretcher		1
F	Long Stretcher		2



**Hardware List**

Item	Description		QTY
a	Long Bolts Ø5/16"×3-1/2"		4
b	Medium Bolts Ø5/16"×2-1/4"		4
c	Short Bolts Ø5/16"×1-3/4"		1
d	Lock Washers 5/16"		9
e	Flat Washers 5/16"		9
f	Allen Wrench 5/16"		1
g	Wood Screw 8#×1-3/4"		6
h	Wood Screw 8#× 5/8"		5
i	Screwdriver		1

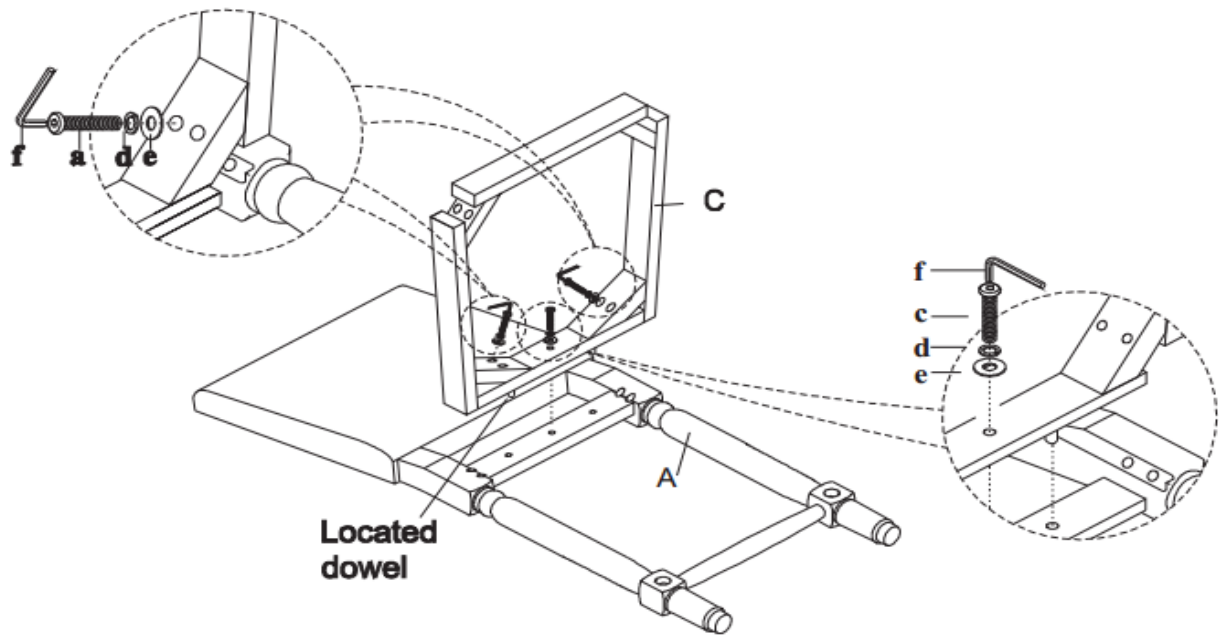
\*\* Not Provided

**Assembly Procedures:**

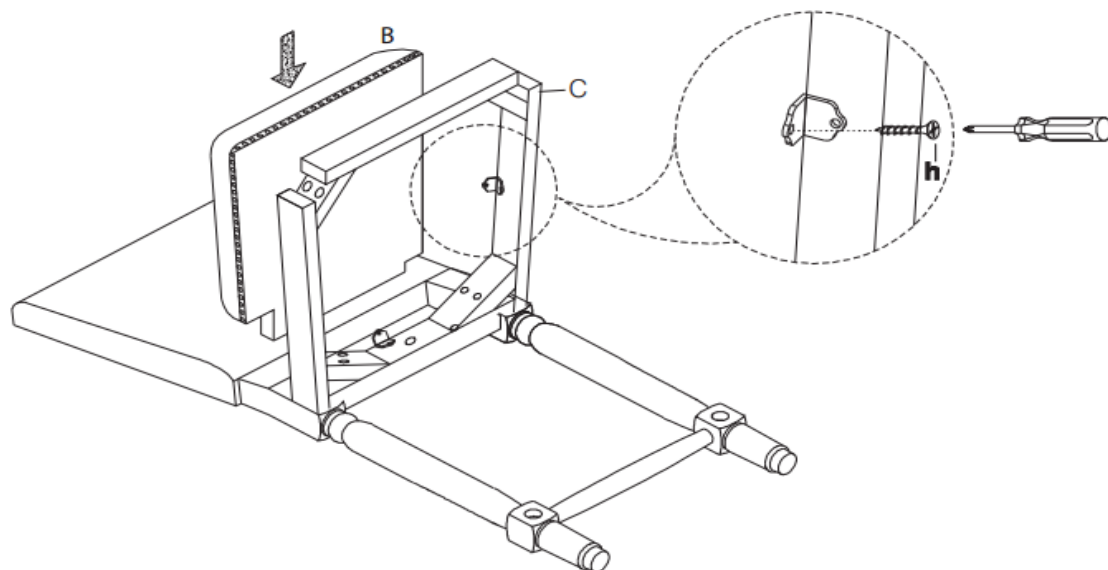
Step 1.

- 1) Assemble the stool on a flat, soft surface such as a carpet or cloth to prevent scratching the finish.
- 2) Attach Seat Frame (C) to the Chair Back (A) using Bolts (a) for corner block, Bolt (c) at centre , Lock Washers (d) and Flat Washers (e).

Do not fully tighten at this step.

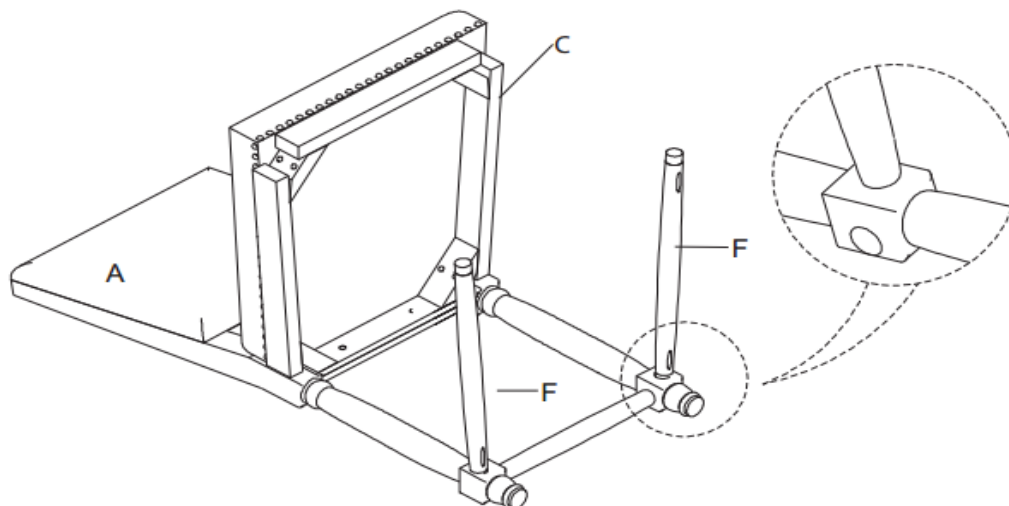


Step 2. Pushing the Seat Cushion (B) from front to the back till the back of cushion close to the chair back leg tightly, then attach the Seat Cushion (B) to the Seat Frame (C), tighten Screws (h) with Screwdriver (not provided).

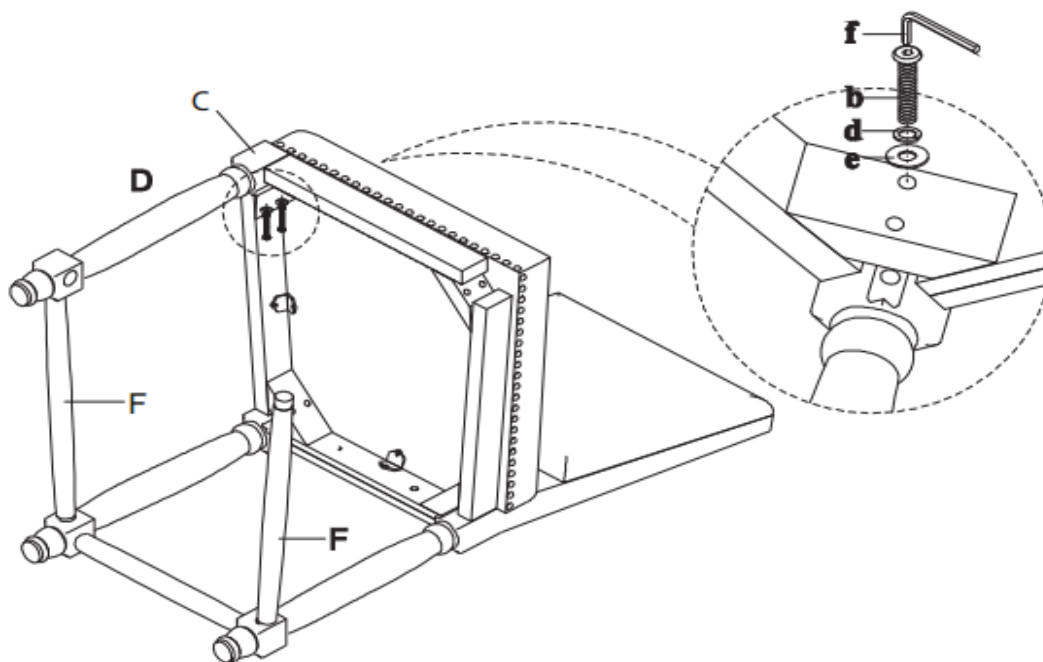


Step 3.

1) Attach Long Stretchers (F) to the leg of Chair Back (A) as shown.

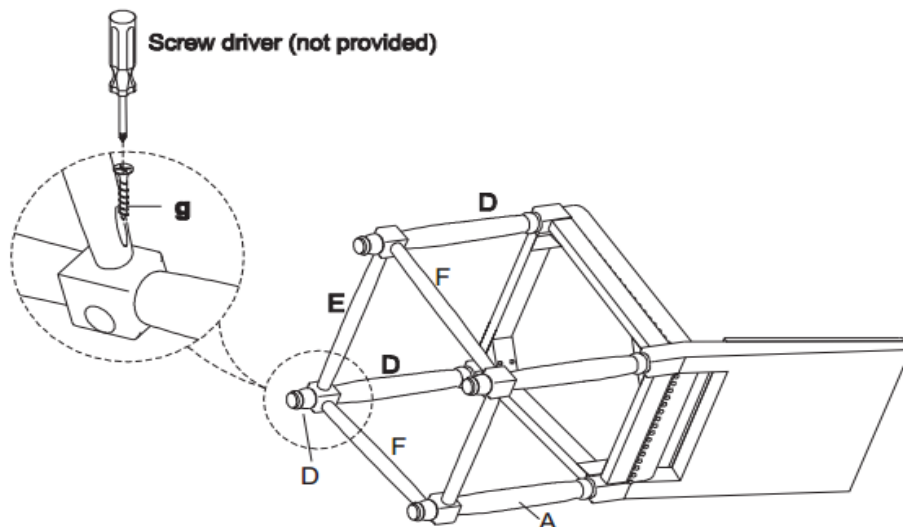


Step 4. Attach one of the Front Leg (D) to the left side of Seat Frame (C) and one of the Long Stretchers (F) using Allen Wrench (f), Bolts (b), Lock Washers (d) and Flat Washers (e).  
Do not fully tighten at this step.



Step 5.

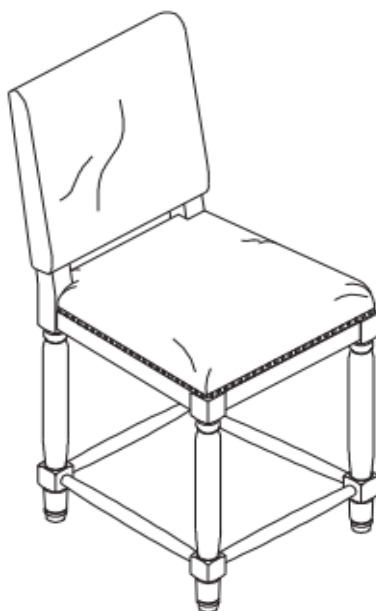
- 1) Attach one end of Front Stretcher (E) to the Front Leg (D) at the left, then repeat the assembly step 4 to attach another Front Legs (D) to the right side of Seat Frame (C) and attach with another end of the Front Stretchers (E).
- 2) Make sure all pre-drilled holes at all stretchers downwards, then fully tighten all Bolts (a,b,c) with Allen Wrench (f)
- 3) Fully tighten all the Screws (g) that securing Stretchers (E,F) to the legs.



Step 6.

- 1) Turn assembled stool over to an upright position.
- 2) Assembly is completed.

Failure to follow these instructions may result in misalignment of the bolts during assembly.



ADDITIONAL NOTE ABOUT SAFETY: BOLTS MAY LOOSEN DURING NORMAL EVERDAY USE. THEY SHOULD BE PERIODICALLY INSPECTED AND RE-TIGHTENED TO PREVENT DAMAGE OR INJURY. ALWAYS CHECK TO ENSURE THAT ALL HARDWARES ARE MAINTAINED TIGHTENED.

**Thank you for your purchase**