


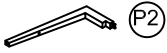

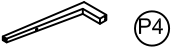
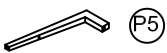

Important safety instructions:

- Please carefully read all instructions before assembling.
- For your safety and ease, assembly by two or more adults is recommended.
- Keep instructions for future use.







Pre-assembly:

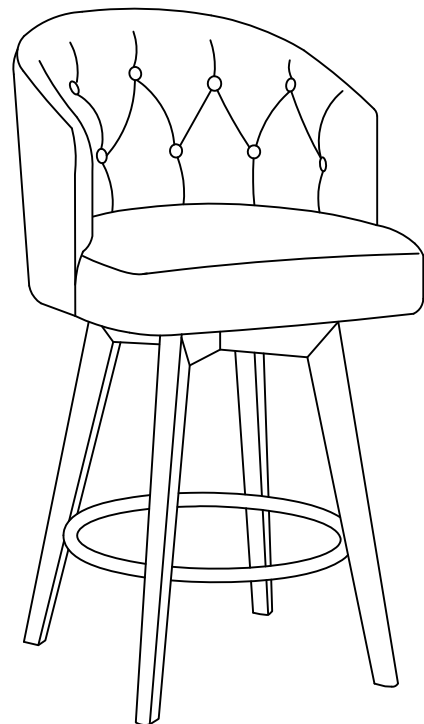
- Do not discard any contents until after assembly is complete to avoid accidentally discarding small parts or hardware.
- Remove all parts and hardware from box along with any plastic protective packaging.

Parts List

Item	Description		QTY
P1	Chair Top		1
P2	Leg-1		1
P3	Leg-2		1
P4	Leg-3		1
P5	Leg-4		1
P6	Stretcher		1

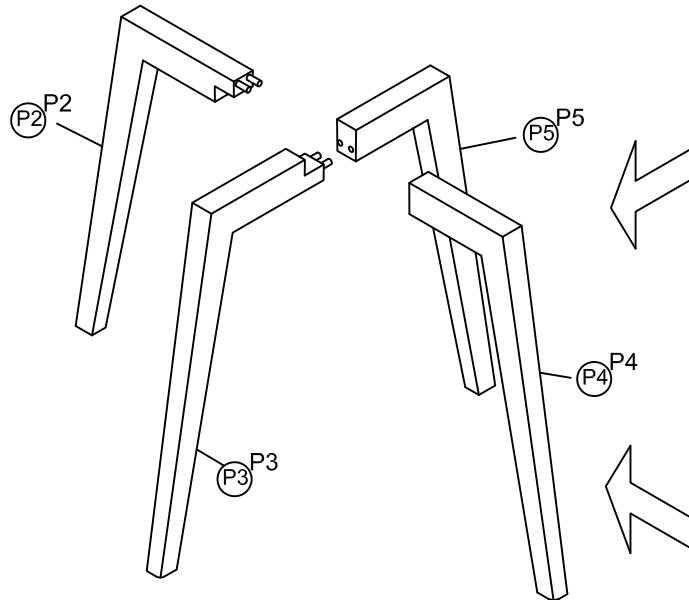
Hardware List

Item	Description		QTY
H1	Short Bolts Ø1/4"*1"L		8
H2	Long Bolts Ø1/4"*1-1/4"L		4
H3	Lock Washers 1/4"		8
H4	Flat Washers 1/4"		8
H5	Allen Wrench 1/4"		1
H6	Swivel		1







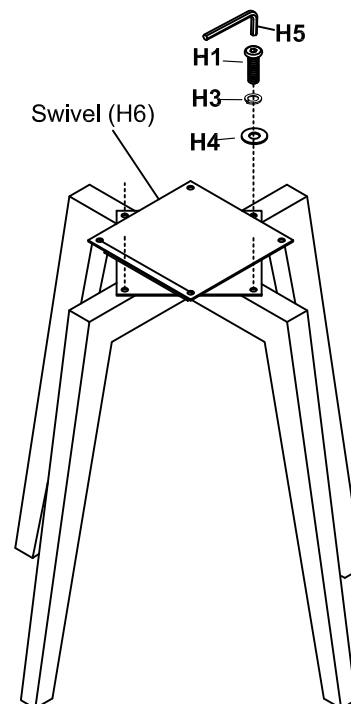
Assembly Procedures:

Step 1. Assemble the stool on a flat, soft surface such as a carpet or cloth to prevent scratching the finish. Insert the dowels on leg-1 (P2) to the leg-3 (P4) and the dowels on leg-2 (P3) to the leg-4 (P5) according to the labels "P2", "P3", "P4", "P5" on each leg (P2, P3, P4, P5) as shown below.




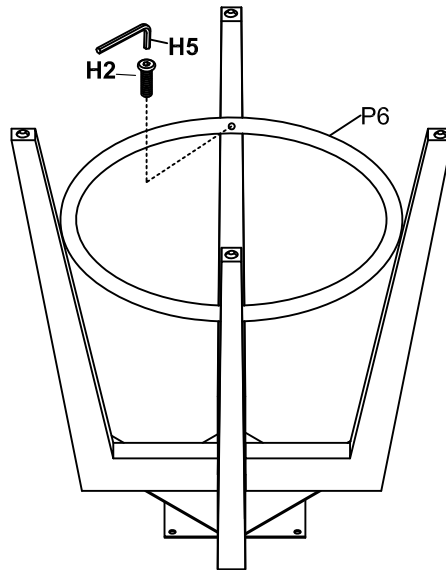
Step 2. **Loosely** attach the swivel (H6) to the top of assembled legs using short bolts (H1), lock washers (H3) and flat washers (H4) as shown below.

- | | | |
|--------|--------------|---|
| (H1)x4 | Short Bolts |  |
| (H3)x4 | Lock Washers |  |
| (H4)x4 | Flat Washers |  |
| (H5)x1 | Allen Wrench |  |






Step 3. Loosely attach stretcher (P6) to each leg using long bolts (H2) as shown below.

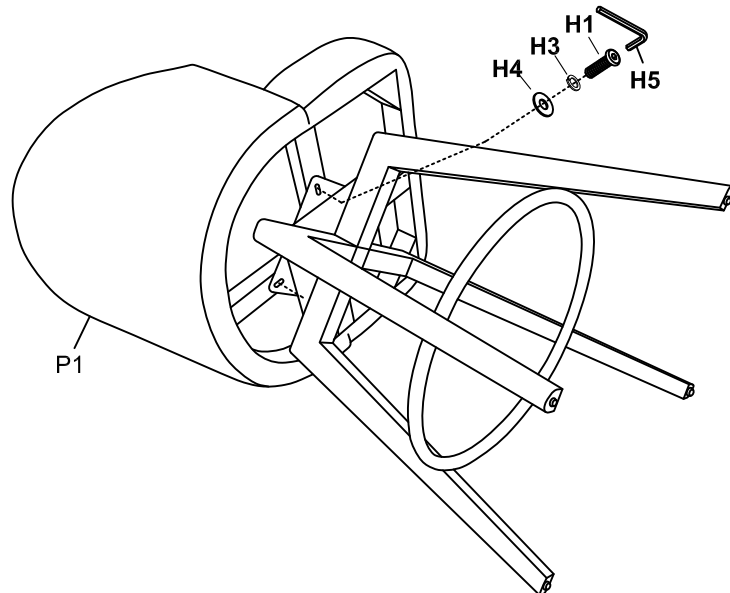
(H2)x4 Long Bolts 



Step 4.

- 1) **Loosely** attach the assembled base to chair top (P1) using short bolts (H1), lock washers (H3) and flat washers (H4) as shown below.
- 2) Make sure the stool is level and securely tighten all bolts with Allen wrench (H5).
- 3) Assembly is complete. **Failure to follow these instructions may cause the bolts to misalign during assembly.**

(H1)x4 Short Bolts 
(H3)x4 Lock Washers 
(H4)x4 Flat Washers 



ADDITIONAL NOTE ABOUT SAFETY: BOLTS MAY LOOSEN DURING NORMAL EVERYDAY USE. THEY SHOULD BE PERIODICALLY INSPECTED AND RE-TIGHTENED TO PREVENT DAMAGE OR INJURY. ALWAYS CHECK TO BE SURE THAT ALL HARDWARE IS KEPT TIGHTENED.

Thank you for your purchase