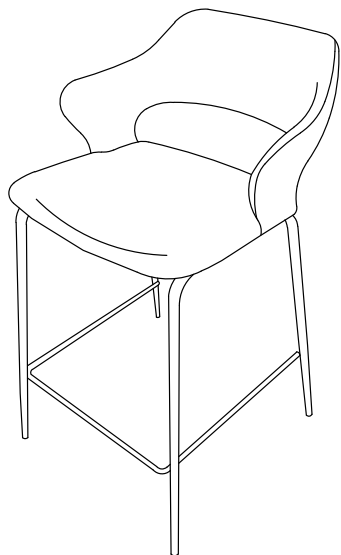


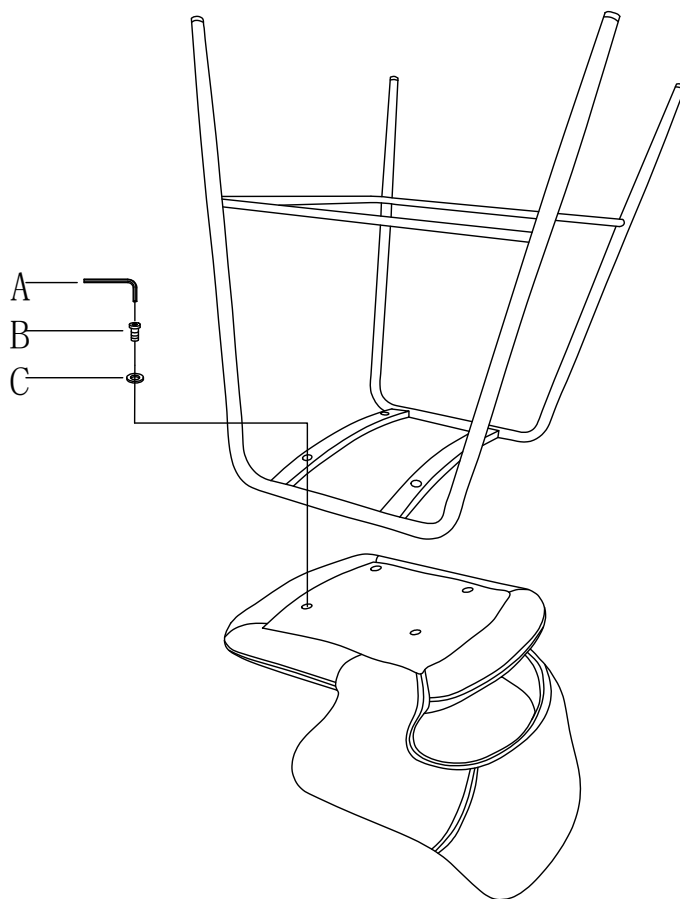
Assembly Instructions

VIDAR-C Counter Stool

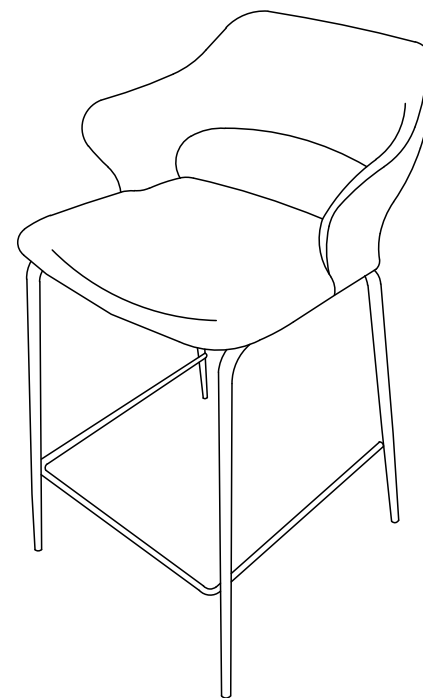
PLEASE NOTE: Check that you have received all components and hardware before assembling. If you are missing any parts, contact your retailer.



STEP 1



FINISHED



A (1 pc)
4mm



B (4 pcs)
M6x35



C (4 pcs)
Ø6

4.25.22 so

During assembly, hand tighten screws only. When all screws are in place, then tighten completely.