

Assembly Instructions

CHLOE-C Counter Stool

PLEASE NOTE: Check that you have received all components and hardware before assembling. If you are missing any parts, contact your retailer.



A (4 pcs)



B (4 pcs)



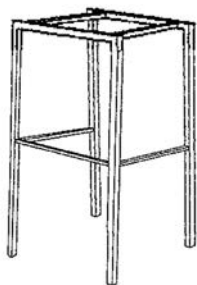
C (4 pcs)



Z (4 pcs)



D (1 pc)

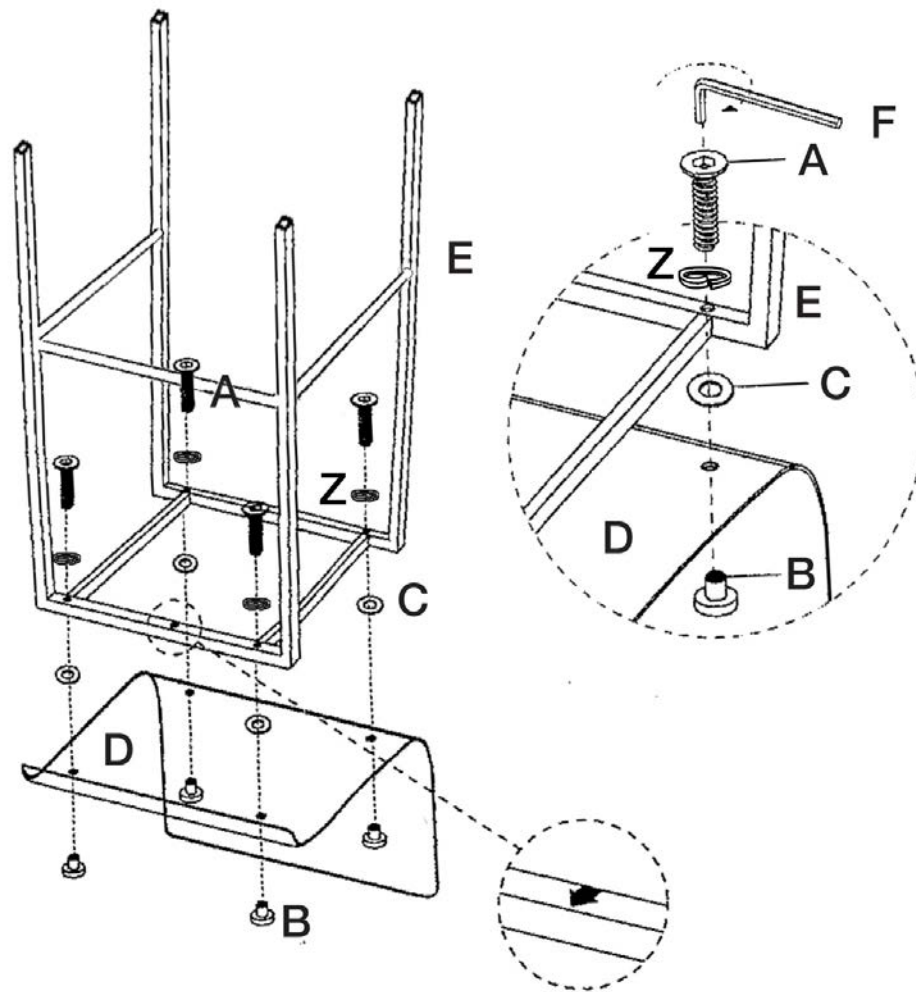


E (1 pc)



F (1 pc)

11.15.22 so



During assembly, hand tighten screws only. When the screws are in place, tighten completely.