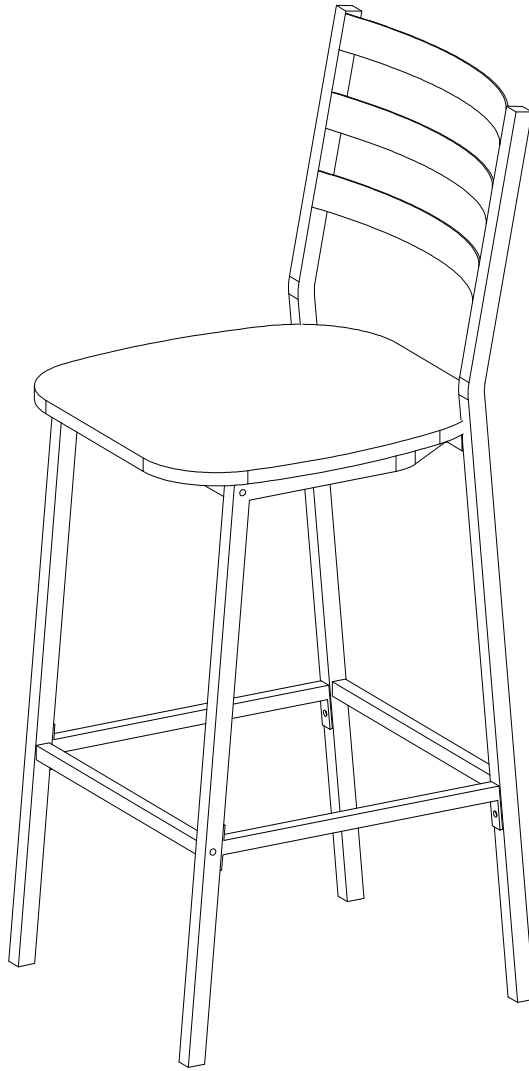


Item # : CH26SBMW2

Assembly Instructions



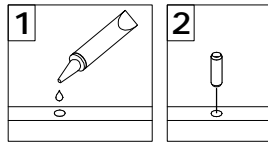
Walker Edison®

Please visit our website for the most current instructions, assembly tips, report damage, or request parts. www.walkeredison.com

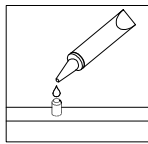
Revised 30/07/2019 (E)

General Assembly Guidelines

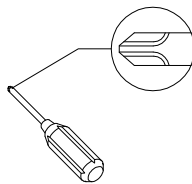
- I. Ensure that all parts and hardware are available before beginning assembly.
- II. Follow each step carefully to ensure the proper assembly of this product.
- III. Two people are recommended for ease in the assembly of this product.
- IV. The three main types of hardware used to assemble this product are: wood dowels, screws and bolts.
- V. The provided glue is to secure wood dowels in place. When first inserting dowels, locate the appropriate hole for the dowel, place a small amount of glue in the hole and insert the dowel. Wipe away excess glue immediately.



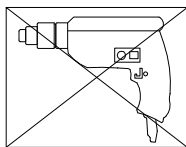
In future assembly steps when dowels are necessary to attach assembly parts together, place a small amount of glue on the end of the dowel before attaching parts together. Wipe away excess glue immediately.



- VI. A Phillips head screwdriver is required for the assembly of this product .

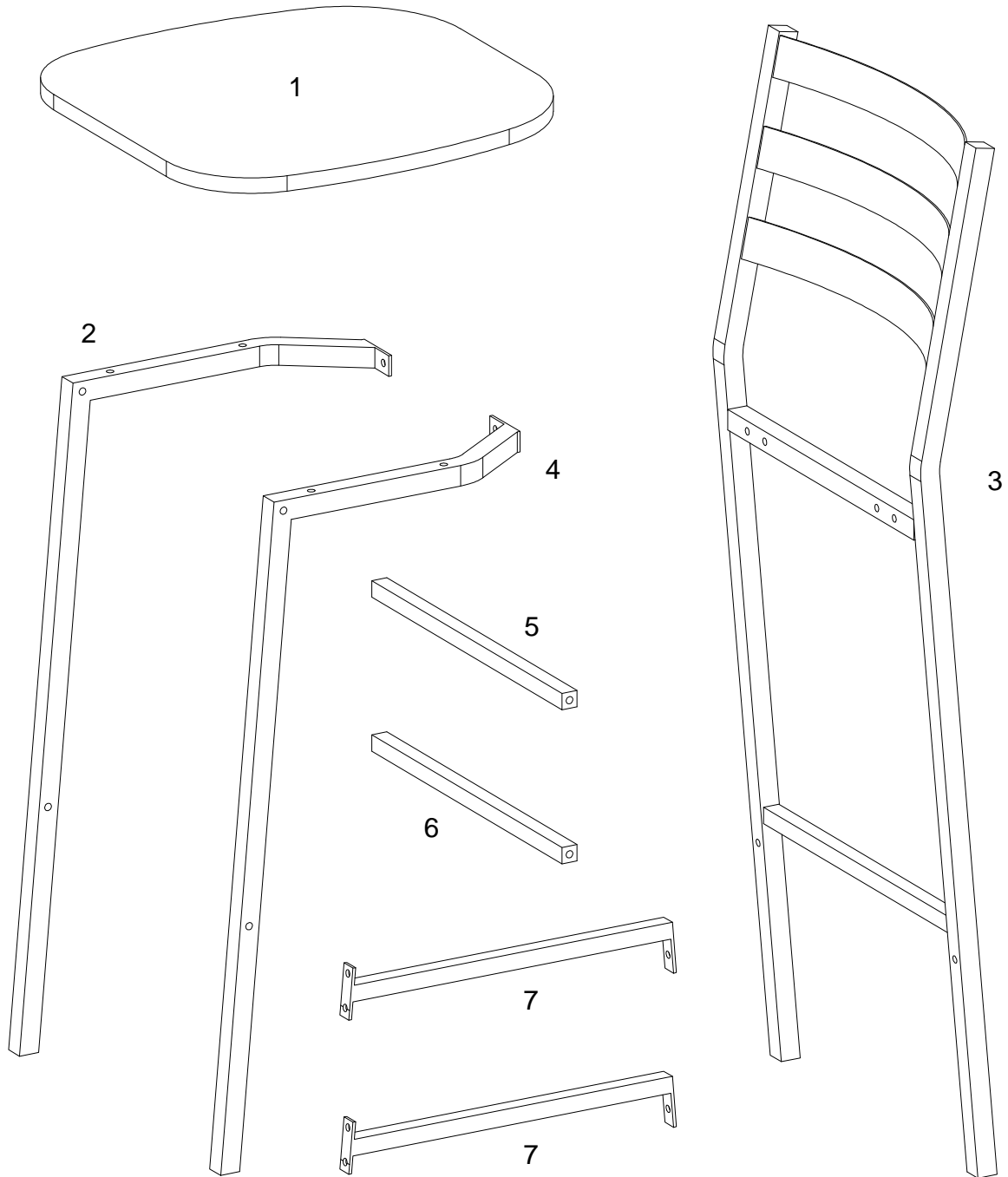


- VII. Power tools should not be used to assemble this product.




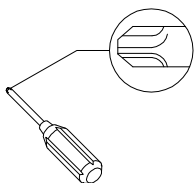
- VIII. Drill may be needed for securing product to wall.

Parts List



Hardware List

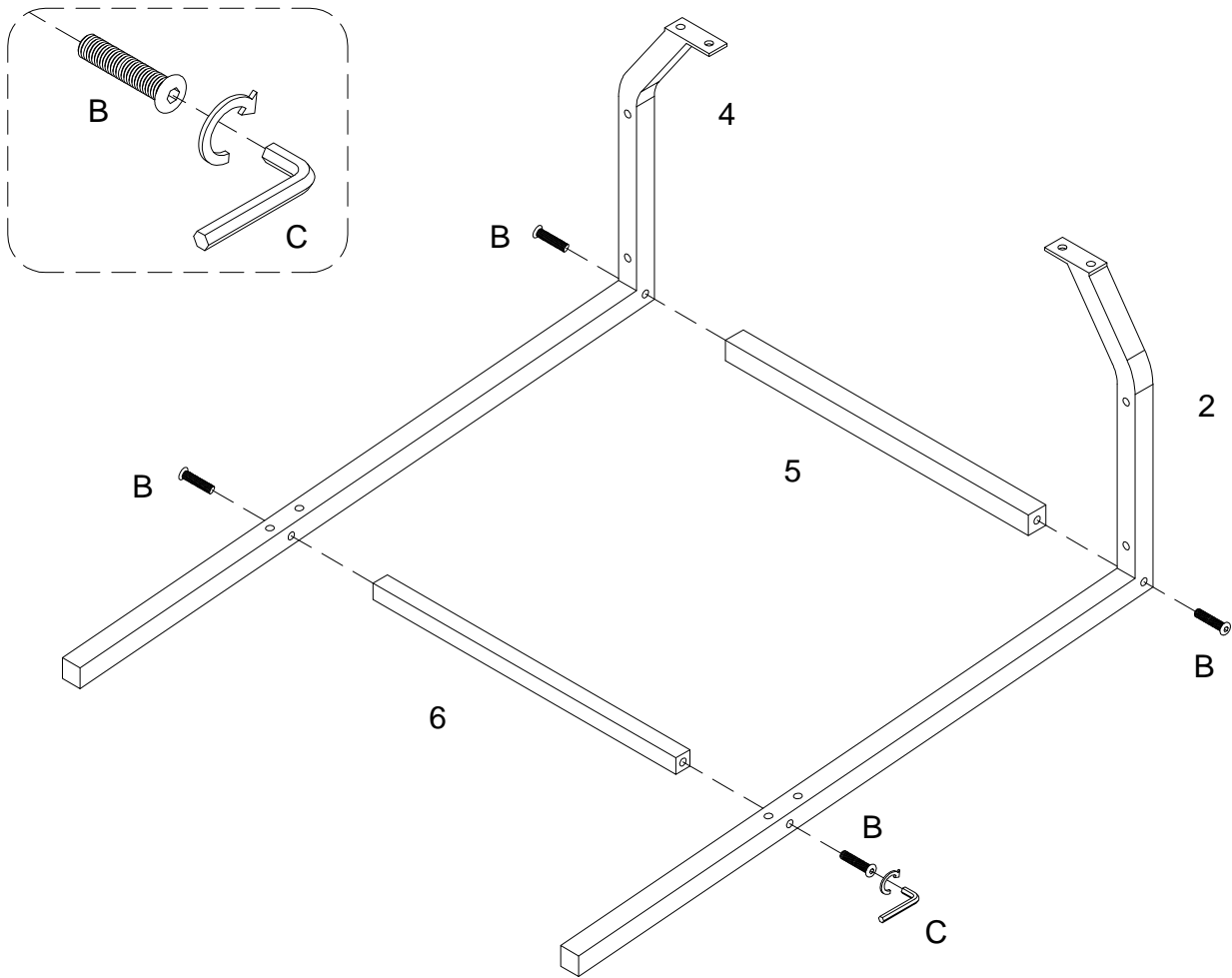
A		Ø1/4"x12mm	Bolt	8 pcs
B		Ø1/4"x30mm	Bolt	10 pcs
C		M 4	Hex key	1 pc



Philips head screwdriver required for assembly
(not included)

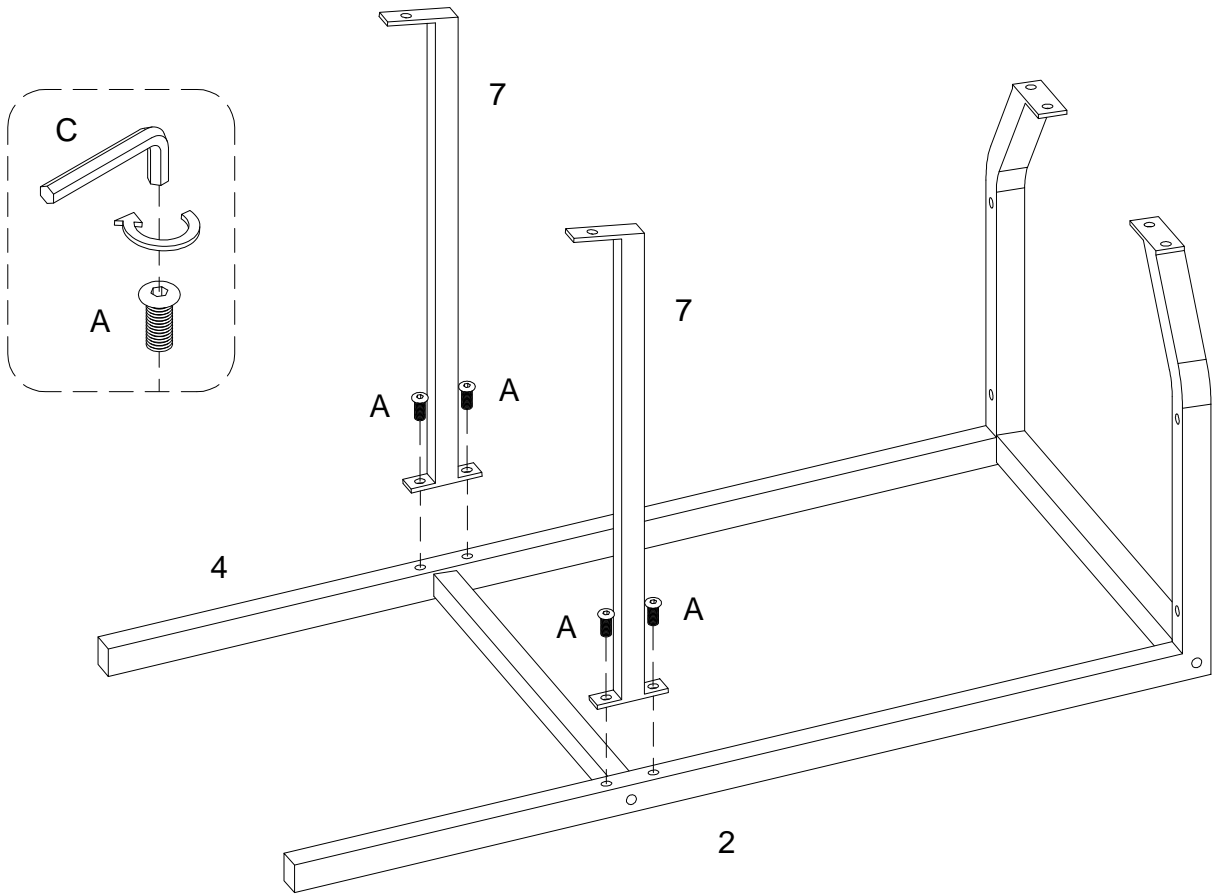
*The hardware quantities listed above are required for proper assembly.
Some extra hardware may also have been included.*

Step 1



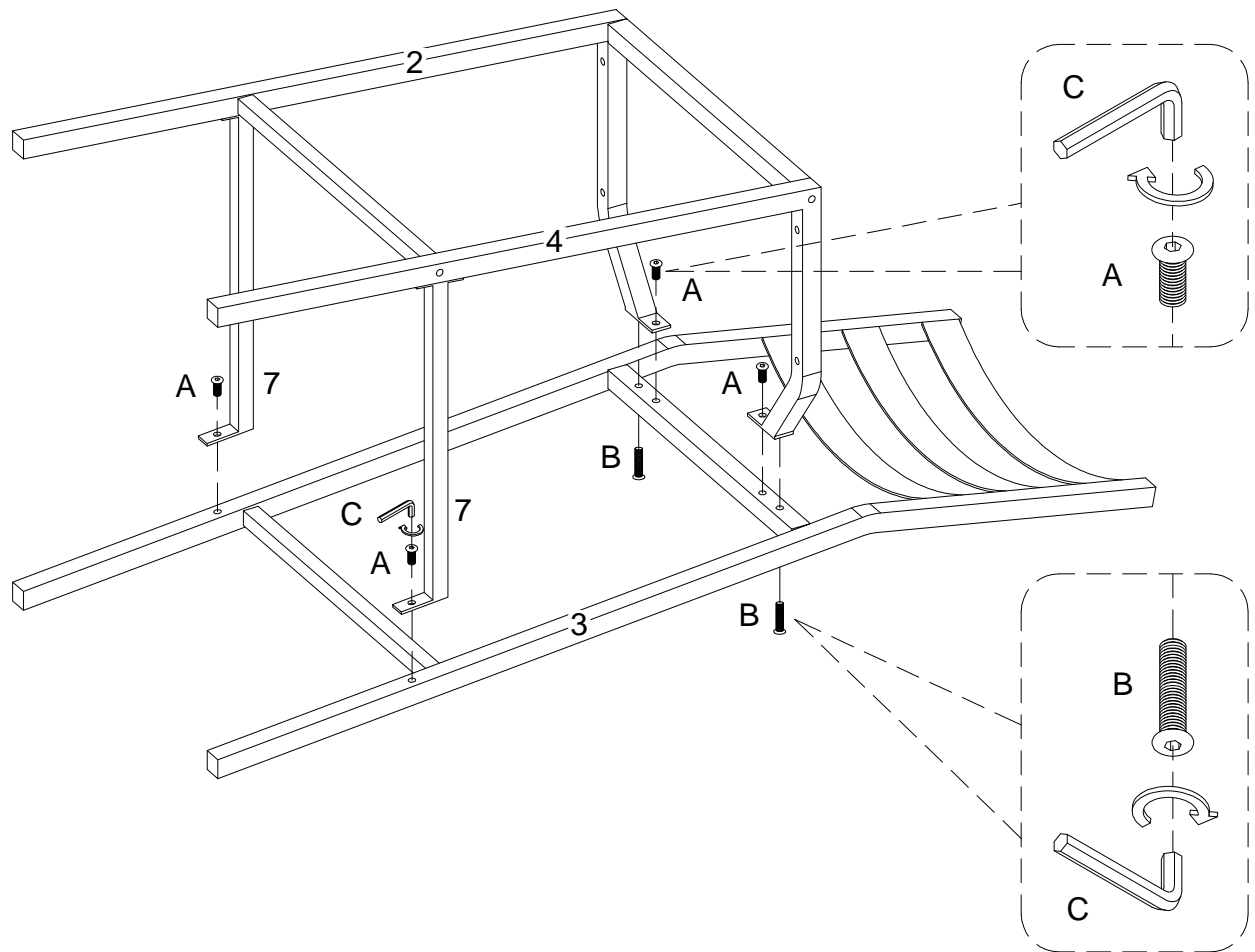
Secure bolt (B) into parts (2,4) to parts (5,6) with hex key (C) as per diagram.

Step 2



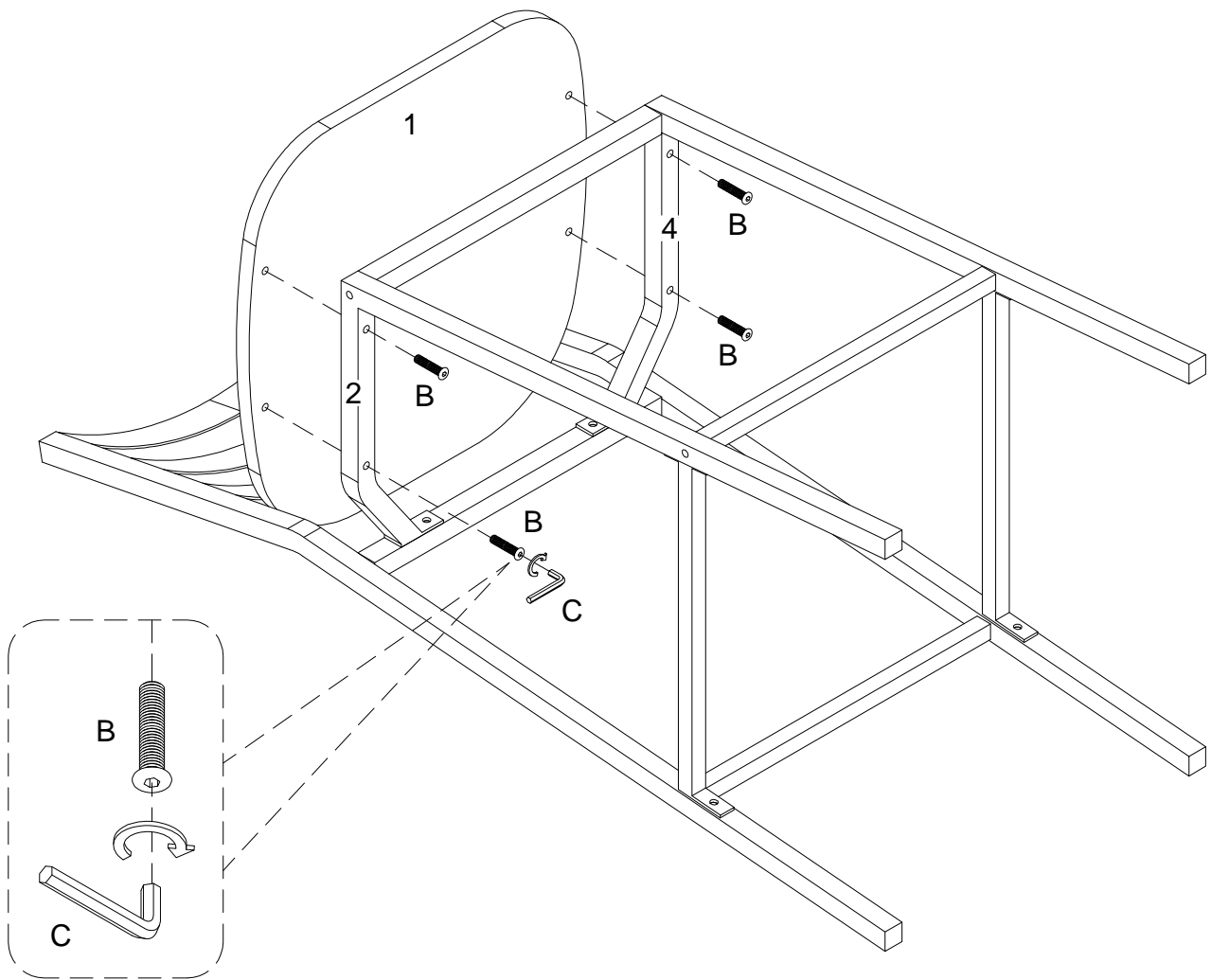
Secure bolt (A) into part (7) to parts (2,4) with hex key (C) as per diagram.

Step 3



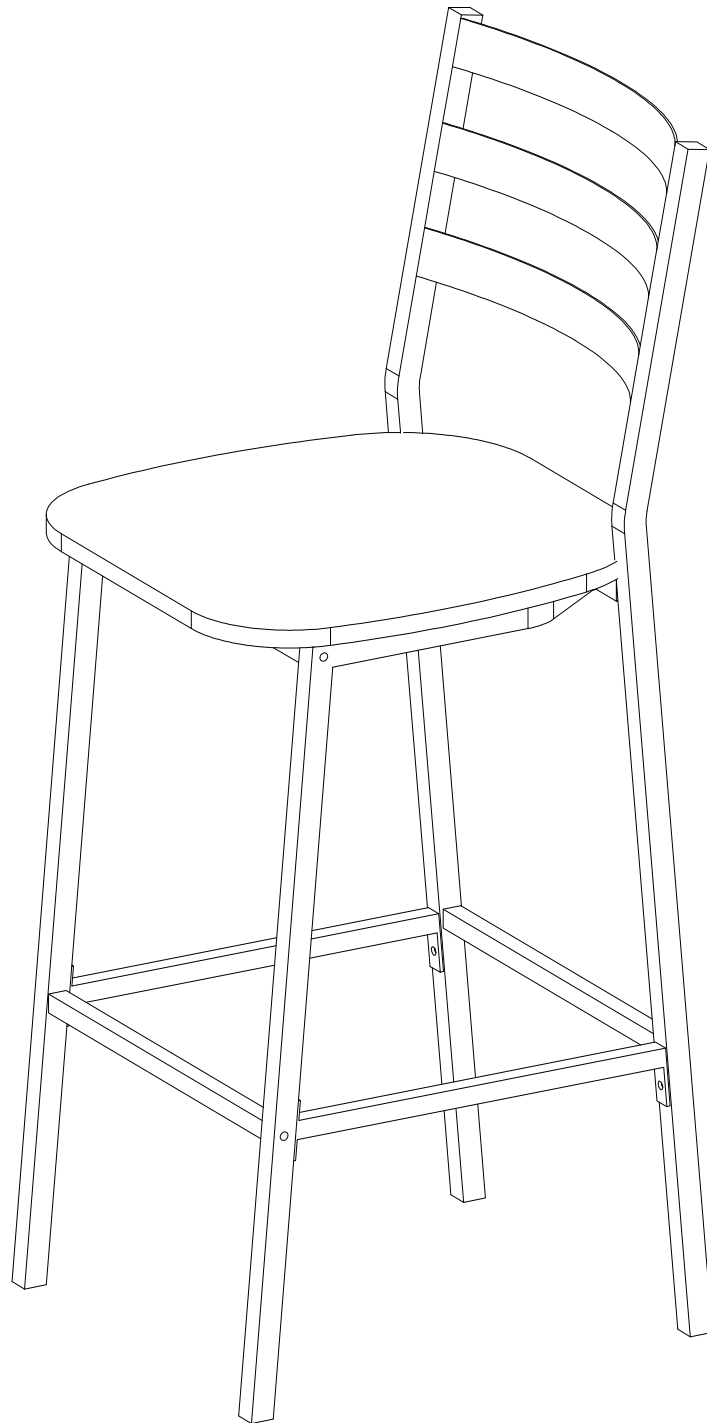
Secure bolt (A) into part (7) to part (3) ,bolt (A) into parts (2,4) to part (3) with hex key (C) as per diagram.

Step 4



Secure bolt (B) into parts (2,4) to part (1) with hex key (C) as per diagram. Then fully tighten all the bolts.

Step 5



Final Assembly