

ASSEMBLY INSTRUCTIONS

MODEL : 3205-025C

CAUTION: PLEASE READ ALL INSTRUCTIONS BEFORE STARTING THE ASSEMBLY OF THIS PRODUCT. THESE PIECES ARE HEAVY. IN ORDER TO PREVENT PERSONAL INJURY AND ENSURE THAT THIS PRODUCT IS NOT DAMAGED DURING THE ASSEMBLY PROCESS, IT IS STRONGLY RECOMMENDED THAT YOU ENLIST THE ASSISTANCE OF ONE OR MORE PEOPLE.

ATTENTION: VEUILLEZ LIRE TOUTES LES INSTRUCTIONS AVANT DE COMMENCER L'ASSEMBLAGE DE CE PRODUIT. LES PIÉCES SONT LOURDES. POUR ÉVITER TOUTE BLESSURE ET POUR VOUS ASSURER QUE LE PRODUIT N'EST PAS ENDOMMAGÉ PENDANT L'ASSEMBLAGE, NOUS VOUS RECOMMANDONS DE FAIRE APPEL À UNE OU PLUSIEURS AUTRES PERSONNES.

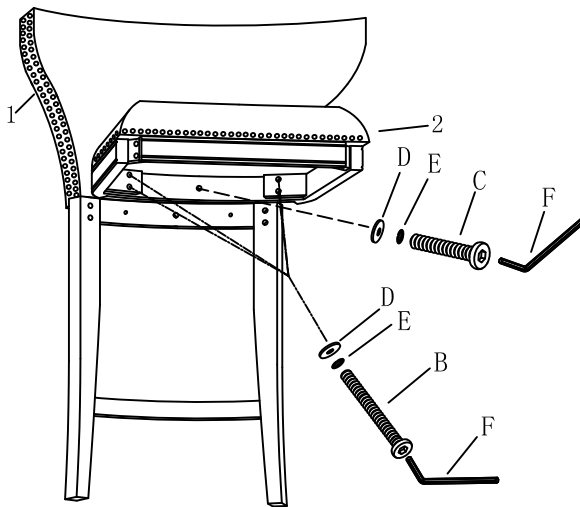
CUIDADO: FAVOR DE LEER TODAS LAS INSTRUCCIONES ANTES DE ENSAMBLAR SU PRODUCTO. ESTAS PIEZAS SON PESADAS. PARA PREVENIR HERIDAS PERSONALES Y ASEGURAR QUE SU PRODUCTO NO SEA DAÑADO MIENTRAS ES ENSAMBLADO, SE RECOMIENDA LA ASISTENCIA DE UNA O MÁS PERSONAS.

WARNING..... PROTECTIVE GLIDE IS PLACED UNDER LEGS OF FURNITURE TO RESIST SCRATCHES TO FLOOR SURFACE. SOME FLOOR SURFACES CAN BE EXTRA SENSITIVE TO MARKING. IF YOU ARE NOT SURE CONSULT WITH YOUR DEALER.

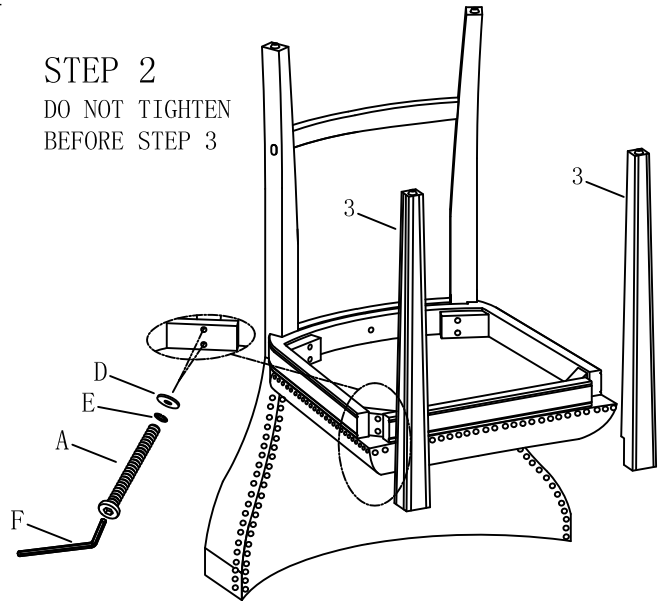
AVERTISSEMENT... LES PIEDS DES MEUBLES SONT MUNIS DE PATINS DESTINÉS À PROTÉGER LE PLANCHER. CERTAINS REVÊTEMENTS DE SOL PEUVENT ÊTRE TRÈS FRAGILES. EN CAS DE DOUTE, CONSULTER LE MARCHAND.

Important: Tighten firm but do not over tighten

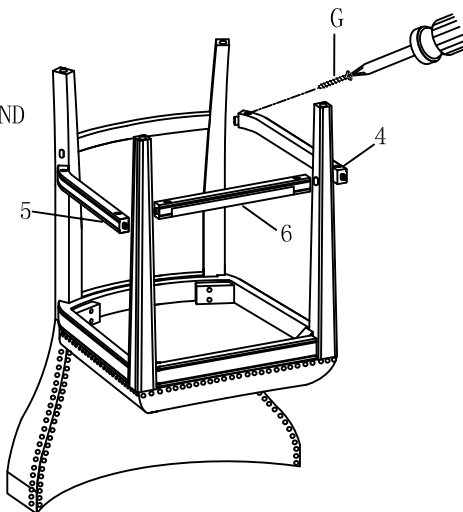
STEP 1
PUT SEAT BACK
ON A SOFT AND
FLAT SURFACE



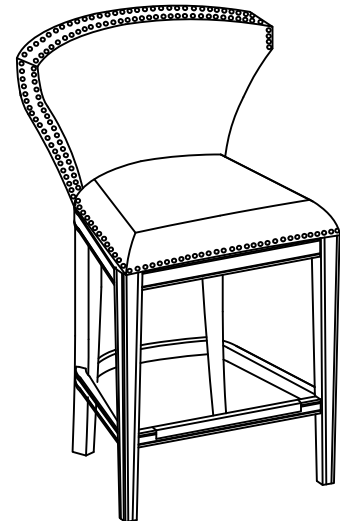
STEP 2
DO NOT TIGHTEN
BEFORE STEP 3



STEP 3
TIGHTEN ALL BOLTS AND
SCREWS AT THIS STEP



COMPLETE

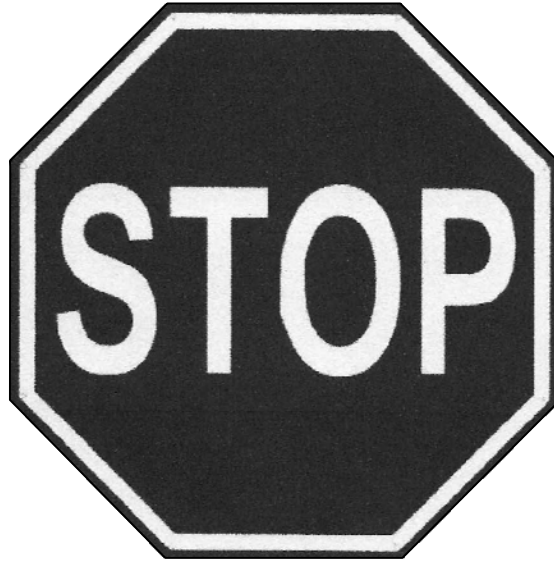


PART LIST

NO.	DESCRIPTION	Q'ty
1	CHAIR BACK	1
2	CUSHION	1
3	FRONT LEGS	2
4	LEFT STRETCHER	1
5	RIGHT STRETCHER	1
6	FRONT FOOT RUNG WITH METAL PLATE	1

HARDWARE LIST

NO.	DESCRIPTION	Q'ty
A	BOLT (Ø1/4" * 2-1/4")	4
B	BOLT (Ø1/4" * 3")	4
C	BOLT (Ø1/4" * 1-3/4")	1
D	WASHER (1/4" * 18mm)	9
E	LOCK WASHER (1/4")	9
F	ALLEN WRENCH (4mm)	1
G	WOOD SCREW (8 * 1-3/4")	6



*******IMPORTANT MESSAGE*******

Please check to insure you have received all parts listed on the instruction sheet provided. you did not receive all parts or received damaged parts please email or call the following:

Email: shannon@comfortpointe.com

Phone: 336-861-0604 Contact: Shannon

Office Hours 8am to 6pm EST

You will need to provide the item number purchased, your reference number, and identify which part is missing/damaged, all parts orders are considered priority.

Thank You!