




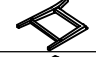



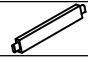
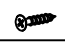





UTTERMOST

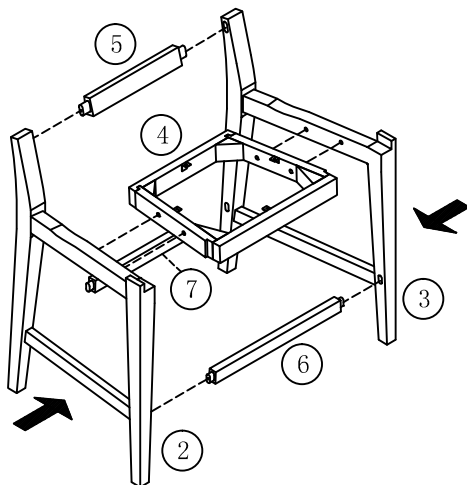
ASSEMBLY INSTRUCTIONS

ITEM: 23390

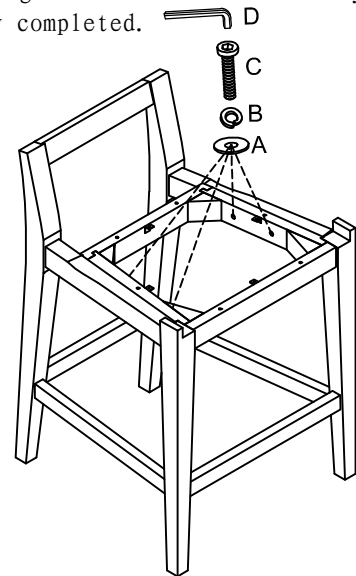
PARTS LIST							
NO	DRAWING	PARTS NAME	Q'TY	NO	PARTS NAME	DRAWING	Q'TY
A		FLAT WASHER 5/16" * 3/4"	8PCS	1	SEAT ASSEMBLY		1PC
B		LOCK WASHER 5/16"	8PCS	2	LEFT LEG		1PC
C		BOLTS DIA 5/16" * 2"	4PCS	3	RIGHT LEG		1PC
D		BOLTS DIA 5/16" * 3"	4PCS	4	SEAT FRAME		1PC
E		ALLEN WRENCH 5/16"	1PC	5	CAPRAIL		1PC
F		SCREW #8 * 1-3/4"	6PCS	6	FRONT RAI		1PC
G		SCREW #8 * 3/4"	4PCS	7	BACK RAIL		1PC

ASSEMBLY BOLTS MAY NEED TIGHTEND AFTER USE

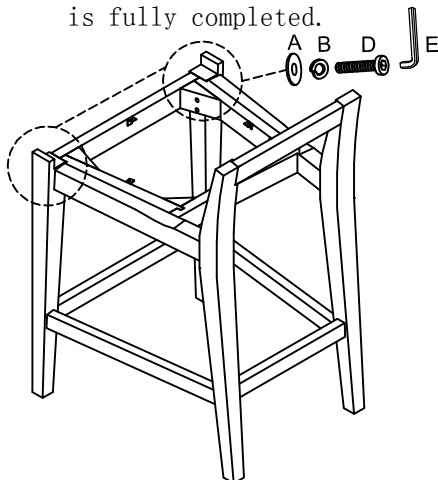
STEP 1 Attach the legs and seat frame and rails.



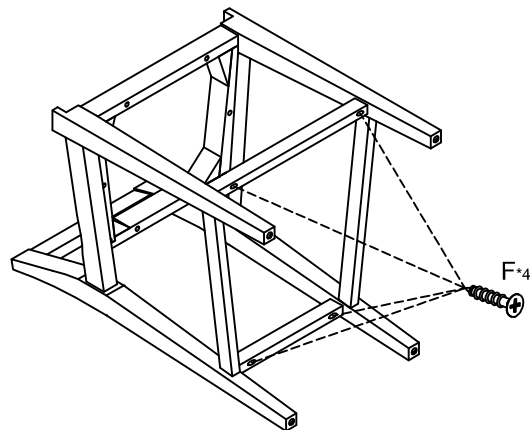
STEP 2 Do Not Tighten bolts until assembly is fully completed.



STEP 3 Do Not Tighten bolts until assembly is fully completed.



STEP 4 Completely tighten all Screws (F).



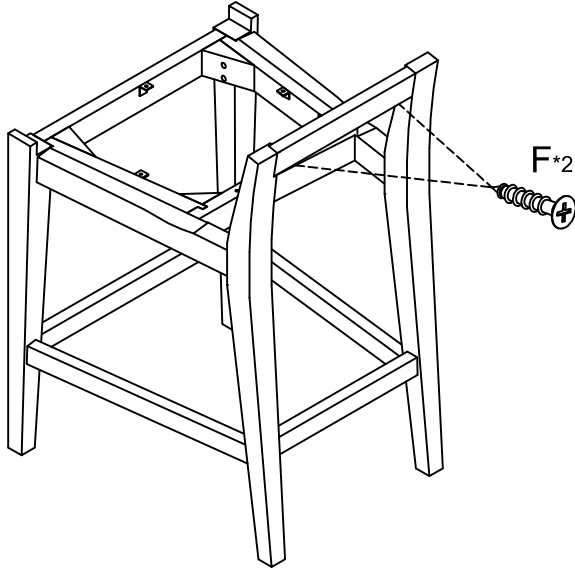
re-tighten the leg bolts after using a period of time

UTTERMOST

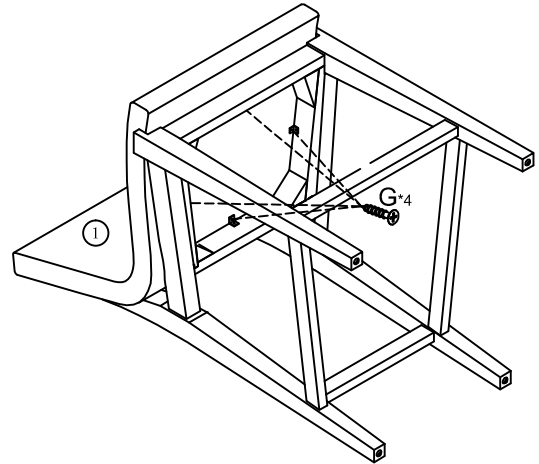
ASSEMBLY INSTRUCTIONS

ITEM:23390

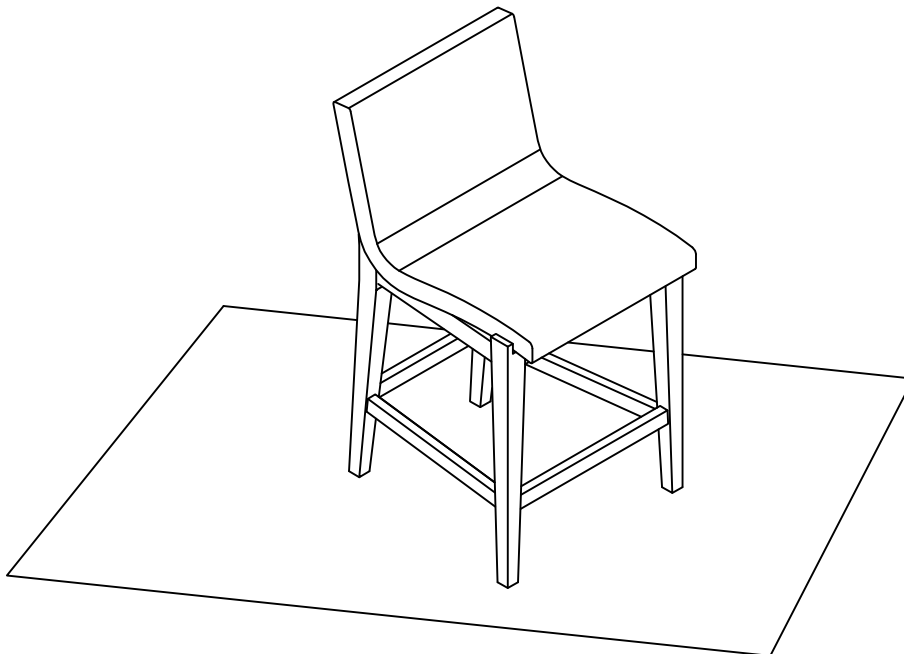
STEP 5 Completely tighten all Screws(F).



STEP 6 Completely tighten all Screws(G) on seat.



STEP 7 Loosely tighten all bolts until instructed to fully tighten at the end of step.



re- tighten the leg bolts after using a period of time

To avoid wobbly product and gaps between legs and stretchers, please follow below steps to assemble:

- 1) Attach the legs. Do not completely tighten the bolts that hold the legs.
- 2) Attached the stretchers. Completely tighten the screws that hold the stretchers.
- 3) Set the chair on the floor to level and then finish tightening the leg bolts