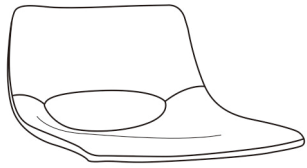


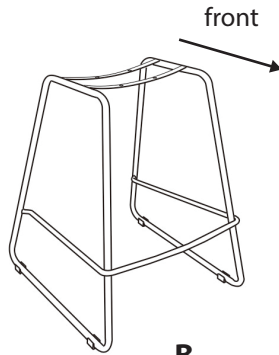
Part # B26-ROBBI XXXX2

21-0412

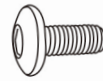
**PARTS**



**A**

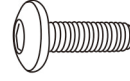


**B**



(M6 x18mm)  
x2

**C**



(M6 x25mm)  
x2

**D**



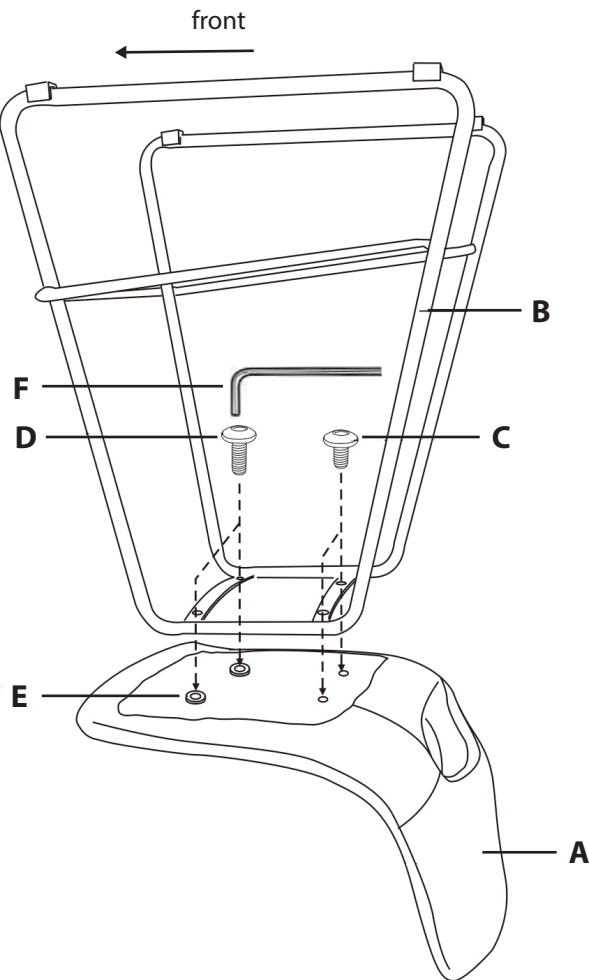
x2

**E**



**F**

**1**



**2**



Do not over tighten.  
 Do not use power tools to assemble.