

Thank You for purchasing this Quality product. It has been engineered for easy assembly yet constructed for durability. Please take the time to read and follow the instruction while assembling.

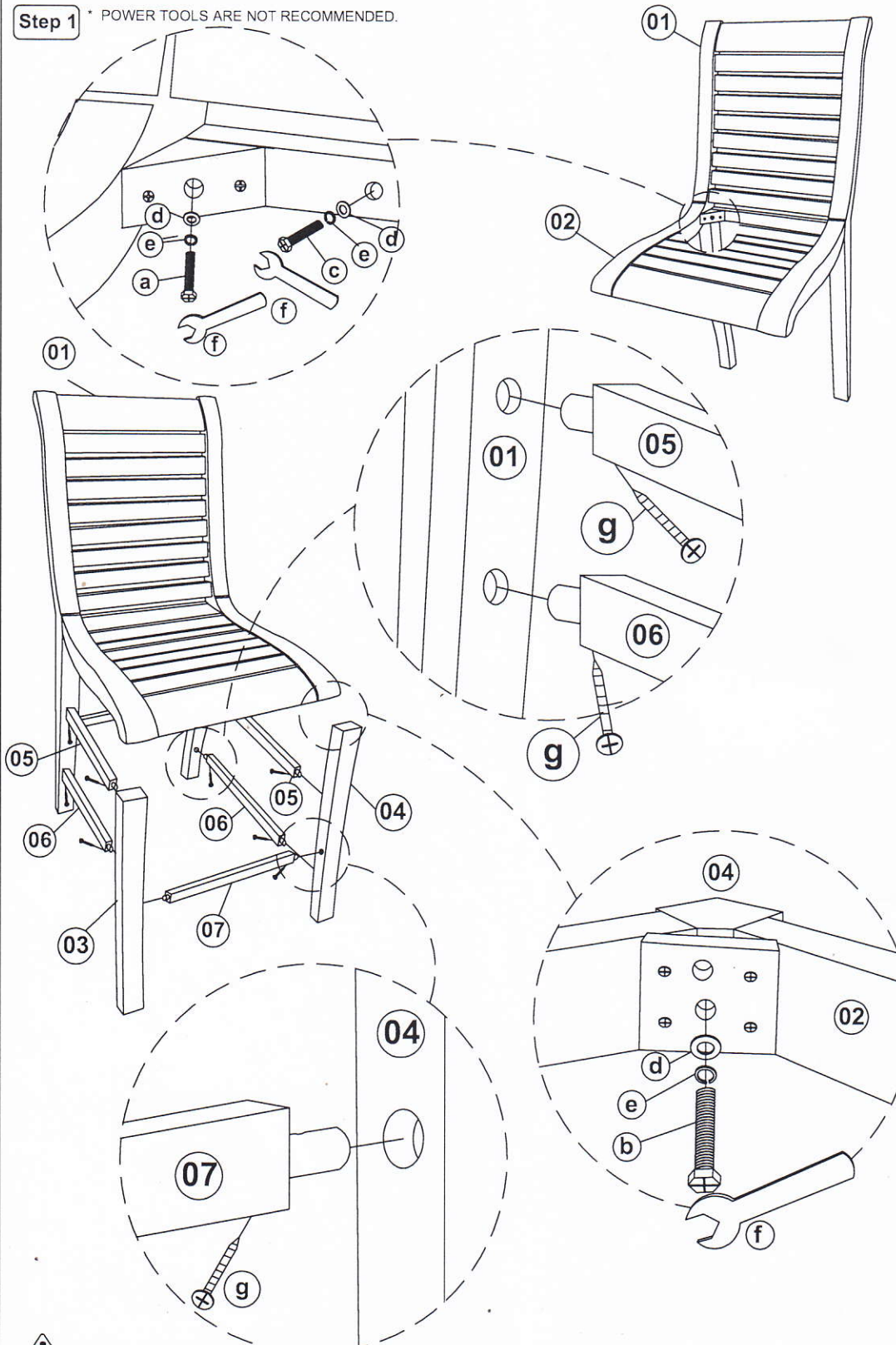
# ASSEMBLY INSTRUCTIONS

## COUNTER CHAIR

Model : D801, P808, 812, 820-63 (CS 1312-RTA- 24")

**Step 1** \* POWER TOOLS ARE NOT RECOMMENDED.

Size : 19 " (W) x 23 " (D) x 41 <sup>7</sup>/<sub>8</sub>" (H)



### List of Part For 1 Set

Code	Figure	Part	Qty.
01		Chair Back	1
02		Seat Frame	1
03		Front Leg (L)	1
04		Front Leg (R)	1
05		Side Top Stretcher (Medium)	2
06		Side Bottom Stretcher (Long)	2
07		Front Stretcher (Short)	1

### List of hardware For 1 Set

Code	Figure	Hardware	Qty.
a		Hex. Bolt M6 x 80mm	2
b		Hex. Bolt M6 x 60mm	4
c		Hex. Bolt M6 x 40mm	3
d		Flat Washer 1/2" x 18mm	9
e		Spring Washer 1/2"	9
f		Spanner 10mm	1
g		PHRS Screw #8 x 1 1/2"	10

### Important Notes

- \* Keep all hardware parts out of reach of children.
- \* Must tighten screws periodically. With use screws will become loose. Check tightness of all screws every 6-8 weeks.
- \* Don't attempt to repair or modify parts that are broken or defective. Please contact the store immediately.
- \* Do not tighten all screw / bolt until all completely assembled.

### Notes

- \* Place all wooden parts on a clean and smooth surface such as a rug or carpet to avoid the parts from being scratched.
  - \* Check to be sure that you have all parts and hardware.
  - \* Remove all wrapping materials including staples & packing straps before you start to assemble.
- Care And Maintenance**
- \* The Touch of a soft cloth is all the maintenance your wood pieces will ever need.
  - \* Never use harsh chemicals or abrasive cleaner as they could mark or destroy finish.

